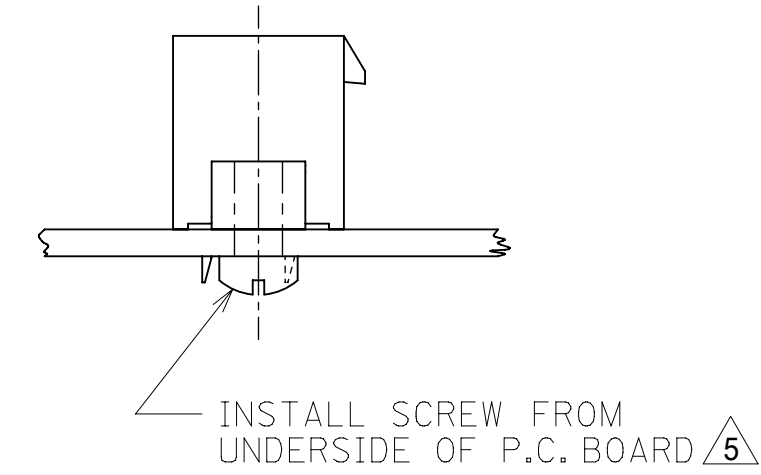
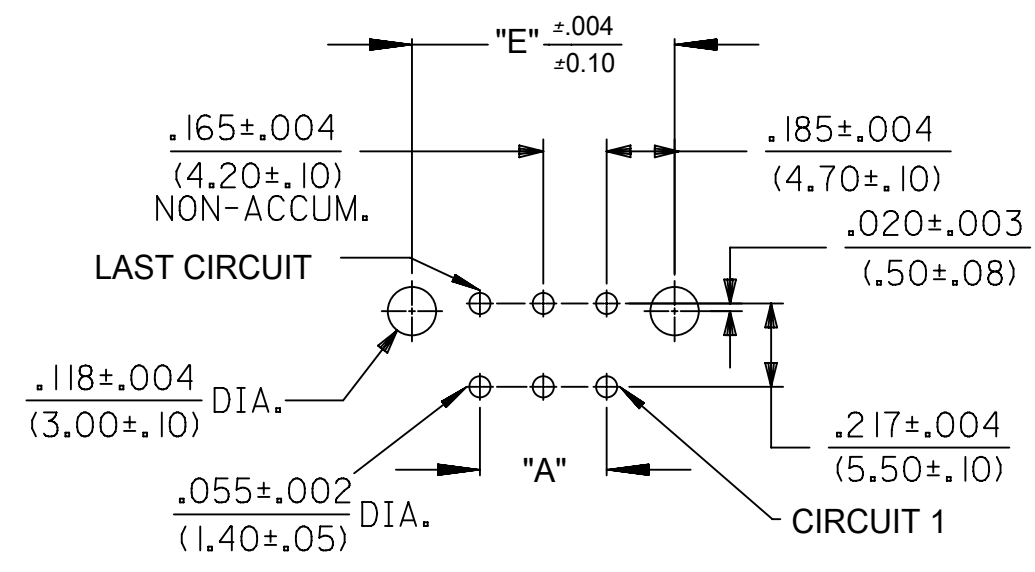
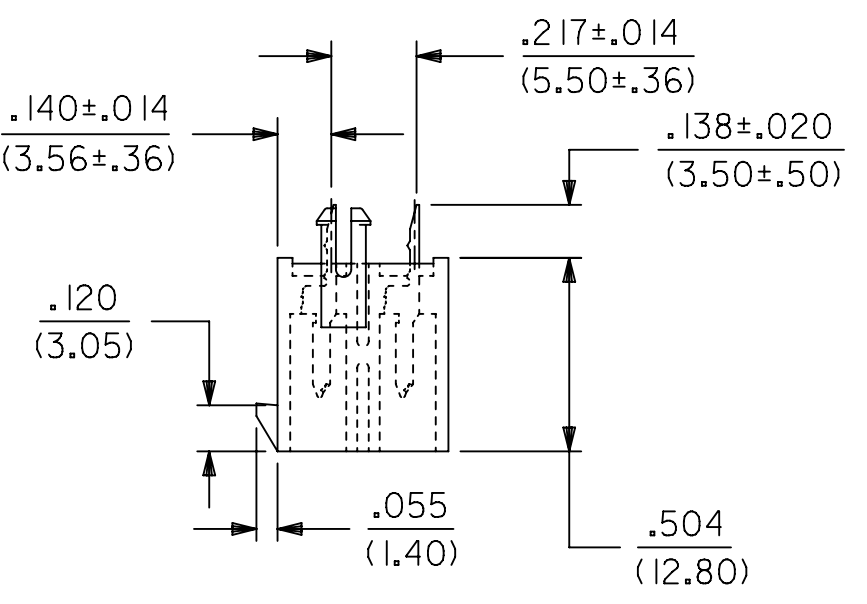
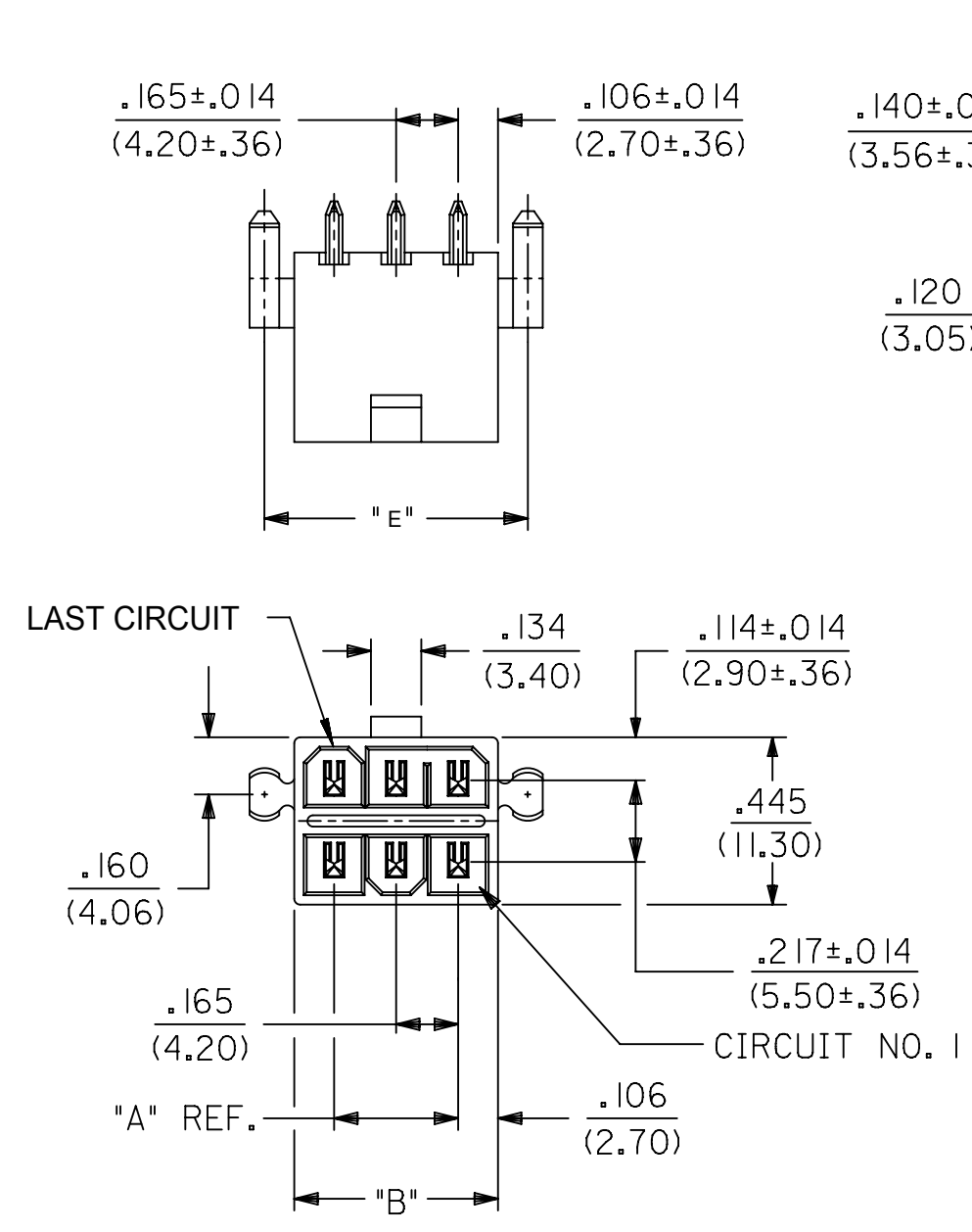


- NOTES:**
- HOUSING MAT'L.: POLYESTER, UNFILLED, 94V-0. COLOR: BLACK. TERMINAL MATERIAL: BRASS ALLOY
  - PLATINGS:
    - .000035/(.00090) MIN. REFLOWED MATTE TIN OVER .000020/(.00050) MIN. COPPER (PREPLATE) (FINISH IS BRIGHT IN APPEARANCE, THICKNESS AS APPLIED PRIOR TO REFLOW)
    - .000030/(.00076) MIN. SELECT GOLD AND .000100/(.00254) MIN. SELECT MATTE TIN OVER .000050/(.00127) MIN. NICKEL OVERALL.
    - .000100/(.00254) MIN. MATTE TIN OVER .000050/(.00127) MIN. NICKEL
  - PRODUCT SPECIFICATION PS-5556-003
  - PACKAGING SPECIFICATION: BULK PER PK-30069-001 TRAY PER 300690000-PK
  - PART IS DESIGNED FOR USE WITH #4 OR M3 SELF TAPPING SCREWS.
  - PART MATES WITH RECEPTACLE 30067-\*
  - THIS PART CONFORMS TO CLASS 'B' REQUIREMENTS OF COSMETIC SPECIFICATION PS-45499-002.



**PCB LAYOUT FOR 2-16 CIRCUIT PARTS WITH FLANGES**

**RECOMMENDED INSTALLATION OF HEADER TO P.C. BOARD**



**RECOMMENDED HOLE LAYOUT FOR .070/(1.78) MAX. THICK P.C. BOARD**

**PCB LAYOUT FOR 2-16 CIRCUIT PARTS**

WITH PEGS

THIS DRAWING CONTAINS INFORMATION THAT IS PROPRIETARY TO MOLEX ELECTRONIC TECHNOLOGIES, LLC AND SHOULD NOT BE USED WITHOUT WRITTEN PERMISSION											
SYMBOLS		DIMENSION UNITS		SCALE		CURRENT REV DESC: INITIAL RELEASE					
▽ = 0		IN/MM		2:1		EC NO: 173061 DRWN: AZAHIROVIC 2018/02/26 CHK'D: JBELL 2018/04/06 APPR: FSMITH 2018/04/13 INITIAL REVISION: DRWN: FJR 1991/19/09 APPR: FSMITH 2012/03/08 THIRD ANGLE PROJECTION DRAWING SERIES C-SIZE 30069					
▽ = 0		GENERAL TOLERANCES (UNLESS SPECIFIED)									
▽ = 0		MM		INCH							
▽ = 0		4 PLACES ±		±							
▽ = 0		3 PLACES ±		± 0.01							
▽ = 0		2 PLACES ±		± 0.25 ± 0.014							
▽ = 0		1 PLACE ±		± 0.36 ±							
▽ = 0		0 PLACES ±		±							
▽ = 0		ANGULAR TOL ± 0.5 °		THIRD ANGLE PROJECTION		DOCUMENT NUMBER: 300690000-SD DOC TYPE: PSD DOC PART: 000 REVISION: A MATERIAL NUMBER: SEE CHARTS CUSTOMER: GENERAL MARKET SHEET NUMBER: 1 OF 3					
▽ = 0		DRAFT WHERE APPLICABLE MUST REMAIN WITHIN DIMENSIONS									

TIN-PLATED ASSEMBLIES WITH PEGS								GOLD-PLATED ASSEMBLIES WITH PEGS						
CKT. SIZE	ENG. NO.	EDP. NO.	DIM. "A"	DIM. "B"	DIM. "E"	DIM. "D"	PACKAGING	ENG. NO.	EDP. NO.	DIM. "A"	DIM. "B"	DIM. "E"	DIM. "D"	PACKAGING
2	A-30069-02C1	15-97-7023	----	<u>.213</u> (5.40)	<u>.370</u> (9.40)	----	BULK			----	<u>.213</u> (5.40)	<u>.370</u> (9.40)	----	BULK
4	A-30069-04C1	15-97-7043	<u>.165</u> (4.20)	<u>.378</u> (9.60)	<u>.535</u> (13.60)	----	BULK	A-30069-04C2	15-97-7045	<u>.165</u> (4.20)	<u>.378</u> (9.60)	<u>.535</u> (13.60)	----	BULK
6			<u>.331</u> (8.40)	<u>.543</u> (13.80)	<u>.701</u> (17.80)	----	BULK			<u>.331</u> (8.40)	<u>.543</u> (13.80)	<u>.701</u> (17.80)	----	BULK
8	A-30069-08C1	15-97-7083	<u>.496</u> (12.60)	<u>.709</u> (18.00)	<u>.866</u> (22.00)	----	BULK	A-30069-08C2	15-97-7085	<u>.496</u> (12.60)	<u>.709</u> (18.00)	<u>.866</u> (22.00)	----	BULK
10	A-30069-10C1	15-97-7103	<u>.661</u> (16.80)	<u>.874</u> (22.20)	<u>1.031</u> (26.20)	----	BULK	A-30069-10C2	15-97-7105	<u>.661</u> (16.80)	<u>.874</u> (22.20)	<u>1.031</u> (26.20)	----	TRAY
12	A-30069-12C1	15-97-7123	<u>.827</u> (21.00)	<u>1.039</u> (26.40)	<u>1.197</u> (30.40)	----	BULK	A-30069-12C2	15-97-7125	<u>.827</u> (21.00)	<u>1.039</u> (26.40)	<u>1.197</u> (30.40)	----	TRAY
14	A-30069-14C1	NOT TOOLED	<u>.992</u> (25.20)	<u>1.205</u> (30.60)	<u>1.362</u> (34.60)	----	BULK	A-30069-14C2	NOT TOOLED	<u>.992</u> (25.20)	<u>1.205</u> (30.60)	<u>1.362</u> (34.60)	----	TRAY
16	A-30069-16C1	NOT TOOLED	<u>1.157</u> (29.40)	<u>1.370</u> (34.80)	<u>1.528</u> (38.80)	----	BULK	A-30069-16C2	15-97-7165	<u>1.157</u> (29.40)	<u>1.370</u> (34.80)	<u>1.528</u> (38.80)	----	TRAY

TIN-PLATED ASSEMBLIES WITH FLANGES								GOLD-PLATED ASSEMBLIES WITH FLANGES						
CKT. SIZE	ENG. NO.	EDP. NO.	DIM. "A"	DIM. "B"	DIM. "C"	DIM. "D"	PACKAGING	ENG. NO.	EDP. NO.	DIM. "A"	DIM. "B"	DIM. "C"	DIM. "D"	PACKAGING
2	A-30069-02A1	15-97-7022	----	<u>.213</u> (5.40)	<u>.354</u> (9.00)	<u>.606</u> (15.40)	BULK	A-30069-02A2	15-97-7024	----	<u>.213</u> (5.40)	<u>.354</u> (9.00)	<u>.606</u> (15.40)	BULK
4	A-30069-04A1	15-97-7042	<u>.165</u> (4.20)	<u>.378</u> (9.60)	<u>.520</u> (13.20)	<u>.772</u> (19.60)	BULK	A-30069-04A2	15-97-7044	<u>.165</u> (4.20)	<u>.378</u> (9.60)	<u>.520</u> (13.20)	<u>.772</u> (19.60)	BULK
6	A-30069-06A1	15-97-7062	<u>.331</u> (8.40)	<u>.543</u> (13.80)	<u>.685</u> (17.40)	<u>.937</u> (23.80)	BULK	A-30069-06A2	15-97-7064	<u>.331</u> (8.40)	<u>.543</u> (13.80)	<u>.685</u> (17.40)	<u>.937</u> (23.80)	BULK
8	A-30069-08A1	15-97-7082	<u>.496</u> (12.60)	<u>.709</u> (18.00)	<u>.850</u> (21.60)	<u>1.102</u> (28.00)	BULK	A-30069-08A2	15-97-7084	<u>.496</u> (12.60)	<u>.709</u> (18.00)	<u>.850</u> (21.60)	<u>1.102</u> (28.00)	TRAY
10	A-30069-10A1	15-97-7102	<u>.661</u> (16.80)	<u>.874</u> (22.20)	<u>1.016</u> (25.80)	<u>1.268</u> (32.20)	BULK	A-30069-10A2	15-97-7104	<u>.661</u> (16.80)	<u>.874</u> (22.20)	<u>1.016</u> (25.80)	<u>1.268</u> (32.20)	BULK
12	A-30069-12A1	15-97-7122	<u>.827</u> (21.00)	<u>1.039</u> (26.40)	<u>1.181</u> (30.00)	<u>1.433</u> (36.40)	BULK	A-30069-12A2	15-97-7124	<u>.827</u> (21.00)	<u>1.039</u> (26.40)	<u>1.181</u> (30.00)	<u>1.433</u> (36.40)	BULK
14	A-30069-14A1	NOT TOOLED	<u>.992</u> (25.20)	<u>1.205</u> (30.60)	<u>1.346</u> (34.20)	<u>1.598</u> (40.60)	BULK	A-30069-14A2	NOT TOOLED	<u>.992</u> (25.20)	<u>1.205</u> (30.60)	<u>1.346</u> (34.20)	<u>1.598</u> (40.60)	BULK
16	A-30069-16A1	15-97-7162	<u>1.157</u> (29.40)	<u>1.370</u> (34.80)	<u>1.512</u> (38.40)	<u>1.764</u> (44.80)	BULK	A-30069-16A2	15-97-7164	<u>1.157</u> (29.40)	<u>1.370</u> (34.80)	<u>1.512</u> (38.40)	<u>1.764</u> (44.80)	BULK

**LEGEND**

A - 30069 - \*\*\* \*\*

**CIRCUIT SIZE**  
(2 - 16)

**HOUSING STYLE**  
A = FLANGES  
C = PEGS

**PLATING**  
1 = TIN OVER COPPER  
2 = GOLD OVER NICKEL  
3 = MATTE TIN OVER NICKEL

DOCUMENT STATUS	P1	RELEASE DATE	2018/04/13 22:56:46
THIS DRAWING REPLACES DRAWING SDA-30069-++++			

SYMBOLS	THIS DRAWING CONTAINS INFORMATION THAT IS PROPRIETARY TO MOLEX ELECTRONIC TECHNOLOGIES, LLC AND SHOULD NOT BE USED WITHOUT WRITTEN PERMISSION			
	DIMENSION UNITS	SCALE	CURRENT REV DESC: INITIAL RELEASE	
▽ = 0	IN/MM	1:1	EC NO: 173061 DRWN: AZAHIROVIC 2018/02/26 CHK'D: JBELL 2018/04/06 APPR: FSMITH 2018/04/13	
▽ = 0	GENERAL TOLERANCES (UNLESS SPECIFIED)			
▽ = 0		MM	INCH	INITIAL REVISION: DRWN: FJR 1991/19/09 APPR: FSMITH 2012/03/08
▽ = 0	4 PLACES	±	±	
▽ = 0	3 PLACES	±	± 0.01	DOCUMENT NUMBER: 300690000-SD DOC TYPE: PSD DOC PART: 000 REVISION: A
▽ = 0	2 PLACES	± 0.25	± 0.014	
▽ = 0	1 PLACE	± 0.36	±	MATERIAL NUMBER: SEE CHARTS CUSTOMER: GENERAL MARKET SHEET NUMBER: 2 OF 3
▽ = 0	0 PLACES	±	±	
▽ = 0	ANGULAR TOL	± 0.5 °		
▽ = 0	DRAFT WHERE APPLICABLE MUST REMAIN WITHIN DIMENSIONS		THIRD ANGLE PROJECTION	DRAWING: C-SIZE
▽ = 0			SERIES: 30069	



MINI-FIT T.P.A.  
VERTICAL HEADER ASSEMBLY

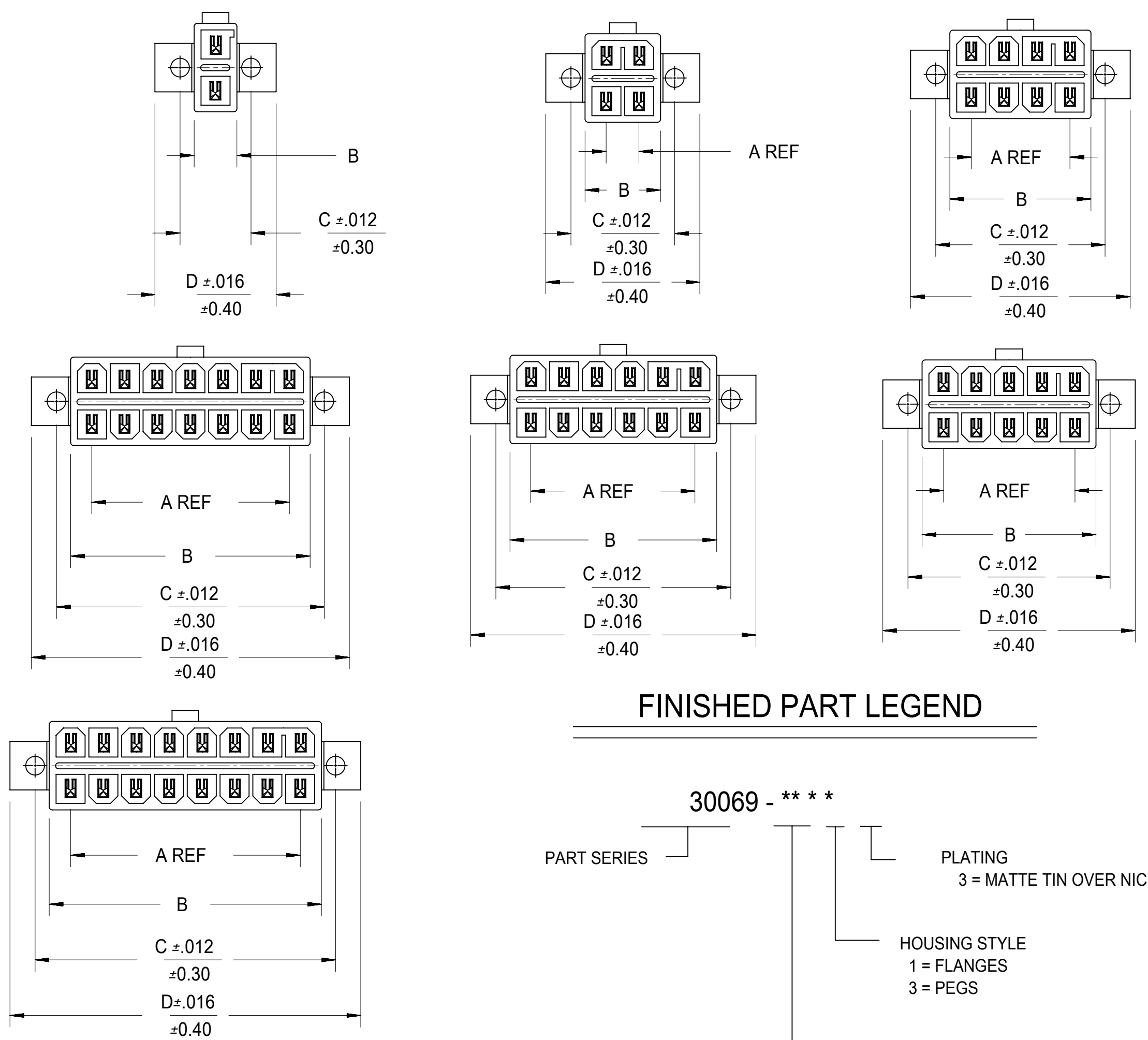
PRODUCT CUSTOMER DRAWING

DOCUMENT NUMBER: 300690000-SD  
DOC TYPE: PSD  
DOC PART: 000  
REVISION: A

MATERIAL NUMBER: SEE CHARTS  
CUSTOMER: GENERAL MARKET  
SHEET NUMBER: 2 OF 3

MATTE TIN-PLATED ASSEMBLIES WITH PEGS						
CKT. SIZE	MATERIAL NUMBER	DIM. "A"	DIM. "B"	DIM. "E"	DIM. "D"	PACKAGING
2	30069-0233	----	<u>.213</u> (5.40)	<u>.370</u> (9.40)	----	TRAY
4	30069-0433	<u>.165</u> (4.20)	<u>.378</u> (9.60)	<u>.535</u> (13.60)	----	TRAY
6		<u>.331</u> (8.40)	<u>.543</u> (13.80)	<u>.701</u> (17.80)	----	TRAY
8	30069-0833	<u>.496</u> (12.60)	<u>.709</u> (18.00)	<u>.866</u> (22.00)	----	TRAY
10	30069-1033	<u>.661</u> (16.80)	<u>.874</u> (22.20)	<u>1.031</u> (26.20)	----	TRAY
12	30069-1233	<u>.827</u> (21.00)	<u>1.039</u> (26.40)	<u>1.197</u> (30.40)	----	TRAY
14	NOT TOOLED	<u>.992</u> (25.20)	<u>1.205</u> (30.60)	<u>1.362</u> (34.60)	----	TRAY
16	30069-1633	<u>1.157</u> (29.40)	<u>1.370</u> (34.80)	<u>1.528</u> (38.80)	----	TRAY

MATTE TIN-PLATED ASSEMBLIES WITH FLANGES						
CKT. SIZE	MATERIAL NUMBER	DIM. "A"	DIM. "B"	DIM. "C"	DIM. "D"	PACKAGING
2	30069-0213	----	<u>.213</u> (5.40)	<u>.354</u> (9.00)	<u>.606</u> (15.40)	TRAY
4	30069-0413	<u>.165</u> (4.20)	<u>.378</u> (9.60)	<u>.520</u> (13.20)	<u>.772</u> (19.60)	TRAY
6	30069-0613	<u>.331</u> (8.40)	<u>.543</u> (13.80)	<u>.685</u> (17.40)	<u>.937</u> (23.80)	TRAY
8	30069-0813	<u>.496</u> (12.60)	<u>.709</u> (18.00)	<u>.850</u> (21.60)	<u>1.102</u> (28.00)	TRAY
10	30069-1013	<u>.661</u> (16.80)	<u>.874</u> (22.20)	<u>1.016</u> (25.80)	<u>1.268</u> (32.20)	TRAY
12	30069-1213	<u>.827</u> (21.00)	<u>1.039</u> (26.40)	<u>1.181</u> (30.00)	<u>1.433</u> (36.40)	TRAY
14	NOT TOOLED	<u>.992</u> (25.20)	<u>1.205</u> (30.60)	<u>1.346</u> (34.20)	<u>1.598</u> (40.60)	TRAY
16	30069-1613	<u>1.157</u> (29.40)	<u>1.370</u> (34.80)	<u>1.512</u> (38.40)	<u>1.764</u> (44.80)	TRAY



<b>SYMBOLS</b> DIMENSION UNITS SCALE CURRENT REV / DESC: INITIAL RELEASE	THIS DRAWING CONTAINS INFORMATION THAT IS PROPRIETARY TO MOLEX ELECTRONIC TECHNOLOGIES, LLC AND SHOULD NOT BE USED WITHOUT WRITTEN PERMISSION
	IN/MM 1:1
GENERAL TOLERANCES (UNLESS SPECIFIED)	EC NO: 173061 DRWN: AZAHIROVIC 2018/02/26 CHK'D: JBELL 2018/04/06 APPR: FSMITH 2018/04/13
4 PLACES ± 3 PLACES ± 0.01 2 PLACES ± 0.25 ± 0.014 1 PLACE ± 0.36 ±	
INITIAL REVISION: DRWN: FJR 1991/19/09 APPR: FSMITH 2012/03/08	<b>molex</b>  MINI-FIT T.P.A. VERTICAL HEADER ASSEMBLY  PRODUCT CUSTOMER DRAWING
ANGULAR TOL ± 0.5 ° DRAFT WHERE APPLICABLE MUST REMAIN WITHIN DIMENSIONS	
THIRD ANGLE PROJECTION DRAWING SERIES <b>C-SIZE 30069</b>	DOCUMENT NUMBER <b>300690000-SD</b>
SHEET NUMBER <b>3 OF 3</b>	DOC TYPE DOC PART REVISION <b>PSD 000 A</b>
MATERIAL NUMBER <b>SEE CHARTS</b>	CUSTOMER <b>GENERAL MARKET</b>

## X-ON Electronics

Largest Supplier of Electrical and Electronic Components

*Click to view similar products for [Headers & Wire Housings](#) category:*

*Click to view products by [Molex](#) manufacturer:*

Other Similar products are found below :

[95000-104TRLF](#) [10135584-644402LF](#) [DF62W-EP2022PCA](#) [95000-106TRLF](#) [DF62W-2022SCA](#) [DF62W-EP2022PC](#) [2203348](#) [DF62W-2022SC](#) [1084018](#) [1029039](#) [1084017](#) [802-10-012-10-002000](#) [1112640](#) [1112639](#) [891-007-9SS-BST1T](#) [000-34000](#) [0008550134](#) [0009482033](#) [0009507031](#) [57102-F02-18ULF](#) [57102-S06-03LF](#) [57202-S52-04LF](#) [PCN6-15S-2.5E](#) [0039019024](#) [58102-G61-06LF](#) [582553-1](#) [0009485154](#) [0009508121](#) [009176003701906](#) [0022285053](#) [0050291907](#) [018731A](#) [LY20-4P-DT1-P1E-BR](#) [02.125.8002.8](#) [60101931](#) [60598-1 \(Cut Strip\)](#) [M1625-3R/100](#) [61062-3](#) [61082-181009](#) [CSU011177004](#) [636-1427](#) [638009-1](#) [641938-9](#) [641991-4](#) [644168-1](#) [644827-2](#) [647662-1](#) [65039-019ELF](#) [65692-001LF](#) [65781-018](#)