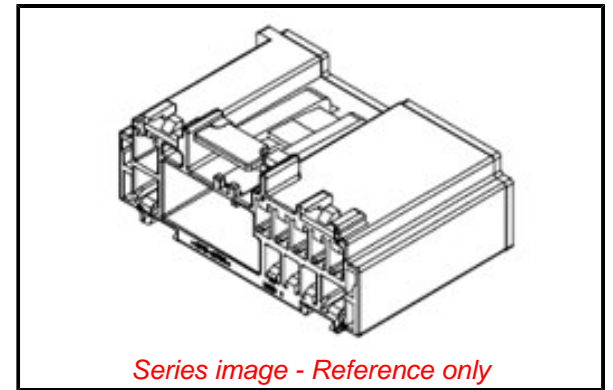


**PLEASE CHECK WWW.MOLEX.COM FOR LATEST PART INFORMATION**

**Part Number:** **0307001244**  
**Status:** **Active**  
**Overview:** H-DAC 64™ Dual-Row High Density Automotive Connectors  
**Description:** 2.54mm, 3.50mm Pitch, H-DAC 64 Hybrid Female Harness Assembly, 24 Circuits, Polarization Option A without Bridge, Gray

**Documents:**

<a href="#">3D Model</a>	<a href="#">Application Specification AS-30700-000-001 (PDF)</a>
<a href="#">Drawing (PDF)</a>	<a href="#">Packaging Specification PK-30907-417-001 (PDF)</a>
<a href="#">3D Model (PDF)</a>	<a href="#">RoHS Certificate of Compliance (PDF)</a>
<a href="#">Product Specification PS-30968-024-001 (PDF)</a>	



**General**

Product Family	Crimp Housings
Series	30700
Application	Automotive, Power, Wire-to-Board, Wire-to-Wire
Comments	Polarization Option A
Overview	<u>H-DAC 64™ Dual-Row High Density Automotive Connectors</u>
Polarization	A
Product Name	H-DAC 64
UPC	822348688838

**Physical**

Circuits (maximum)	24
Color - Resin	Gray
Gender	Receptacle
Glow-Wire Capable	No
Lock to Mating Part	Yes
Material - Resin	High Performance Thermoplastic
Net Weight	13.050/g
Number of Rows	2
Packaging Type	Bag
Panel Mount	No
Pitch - Mating Interface	2.54mm, 3.50mm
Polarized to Mating Part	Yes
Stackable	No
Temperature Range - Operating	-40° to +100°C

**Electrical**

Current - Maximum per Contact	7.0A
-------------------------------	------

**Solder Process Data**

Lead-freeProcess Capability	N/A
-----------------------------	-----

**Material Info**

**Reference - Drawing Numbers**

Application Specification	AS-30700-000-001
Packaging Specification	PK-30907-417-001
Product Specification	PS-30968-024-001
Sales Drawing	SD-30700-124-001

**EU ELV**

**Compliant**

**EU RoHS**

**Compliant**

**REACH SVHC**

Not Contained Per -  
D(2021)4569-DC (8  
July 2021)

**Halogen-Free**

**Status**

**Low-Halogen**

For more information, please visit [Contact US](#)

China ROHS

ELV

RoHS Phthalates

**China RoHS**

Green Image

Compliant

Not Contained

**Search Parts in this Series**

[30700 Series](#)

**Mates With**

H-DAC 64 Header [307004240](#) , [307004244](#) , [307005240](#) , [307005244](#) , Crimp Housing [309681247](#)

**Use With**

Use [33012](#) MX150 Female Terminal for 1.50mm system.<br><br>Contact Molex for terminal information for 0.64mm and 2.80mm systems.

## X-ON Electronics

Largest Supplier of Electrical and Electronic Components

*Click to view similar products for [Automotive Connectors](#) category:*

*Click to view products by [Molex](#) manufacturer:*

Other Similar products are found below :

[003-018-000](#) [60403001](#) [60993906-B](#) [M902-2131](#) [M902-2161](#) [72.330.1035.1](#) [73.353.4028.0](#) [F119300-B](#) [F166900](#) [F258300-B](#) [F358300-B](#)  
[F407400](#) [F444110](#) [F487000](#) [F509500B-B](#) [827153-1](#) [8N1515-32-24P](#) [9-1326729-8](#) [925474-1](#) [928905-1](#) [964562-4](#) [968782-1](#) [GT17SA-8DS-](#)  
[HU](#) [98891-1012](#) [98947-1016](#) [12004147](#) [12004475-L](#) [12010290](#) [12010309-B](#) [12015454](#) [12020219-B](#) [12020308](#) [12041318-B](#) [12052466](#)  
[12059125](#) [12064869](#) [12004327-B](#) [12010503-B](#) [12015308](#) [12015384](#) [12015909](#) [1-21030-1](#) [12041254](#) [12041318](#) [12047946-B](#) [12047957](#)  
[12047957-L](#) [12059473](#) [12066261](#) [12110546](#)