

PLEASE CHECK WWW.MOLEX.COM FOR LATEST PART INFORMATION

Part Number: [0307004061](#)
Status: **Active**
Overview: H-DAC 64 Unsealed Connector System
Description: 2.54mm Pitch, H-DAC 64 High Density Automotive Header, Dual Row, Vertical, 6 Circuits, Polarization Option 2, Black, Tray
Replacement Part Number : <http://www.molex.com/molex/search/partSearch?pQuery=&sType=p&query=0307004060307004060>

Documents:

3D Model	Product Specification PS-30700-0001-001 (PDF)
3D Model (PDF)	Packaging Specification PK-30907-260-001 (PDF)
Drawing (PDF)	RoHS Certificate of Compliance (PDF)

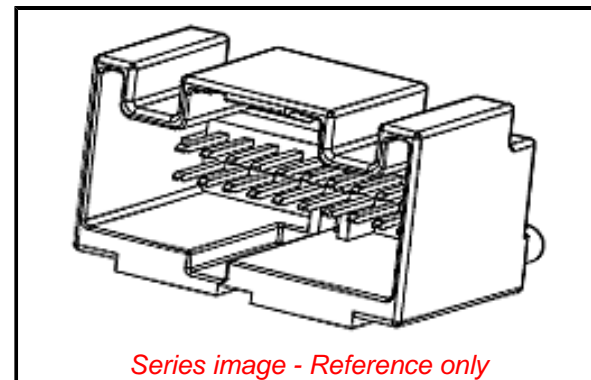
General

Product Family	PCB Headers
Series	30700
Application	Automotive, Power, Wire-to-Board
Comments	Polarization Option 2
Overview	H-DAC 64 Unsealed Connector System
Product Name	H-DAC 64
Replacement Part Number	307004060
Replacement Part Number	different polarization
UPC	800756065809

Physical

Breakaway	No
Circuits (Loaded)	6
Circuits (maximum)	6
Color - Resin	Black
Durability (mating cycles max)	10
First Mate / Last Break	No
Glow-Wire Capable	No
Guide to Mating Part	No
Keying to Mating Part	None
Lock to Mating Part	Yes
Material - Metal	Copper
Material - Plating Mating	Tin
Material - Plating Termination	Nickel
Material - Resin	Modified Polystyrene
Net Weight	3.300/g
Number of Rows	2
Orientation	Vertical
PC Tail Length	3.69mm
PCB Locator	Yes
PCB Retention	Yes
PCB Thickness - Recommended	1.57mm
Packaging Type	Tray
Pitch - Mating Interface	2.54mm
Polarized to Mating Part	Yes
Polarized to PCB	Yes
Shrouded	Fully
Stackable	No
Surface Mount Compatible (SMC)	No
Temperature Range - Operating	-40° to +100°C
Termination Interface: Style	Through Hole

Electrical



Series image - Reference only

**EU ELV
Compliant**

**EU RoHS
Compliant
REACH SVHC**

Not Contained Per -
D(2020)9139-DC (19
Jan 2021)

**Halogen-Free
Status
Not Relevant**

For more information, please visit [Contact US](#)

China ROHS	Not Relevant
ELV	Compliant
RoHS Phthalates	Not Contained

China RoHS

Search Parts in this Series

[30700 Series](#)

Mates With

H-DAC 64 Housing [307001061](#)

Current - Maximum per Contact	7.0A
Voltage - Maximum	500V DC

Solder Process Data

Duration at Max. Process Temperature (seconds)	040
Lead-free Process Capability	SMC&WAVE
Max. Cycles at Max. Process Temperature	003
Process Temperature max. C	260

Material Info**Reference - Drawing Numbers**

Packaging Specification	PK-30907-260-001
Product Specification	PS-30700-0001-001
Sales Drawing	SD-30700-420

This document was generated on 02/25/2021

PLEASE CHECK WWW.MOLEX.COM FOR LATEST PART INFORMATION

X-ON Electronics

Largest Supplier of Electrical and Electronic Components

Click to view similar products for [Automotive Connectors](#) category:

Click to view products by [Molex](#) manufacturer:

Other Similar products are found below :

[003-018-000](#) [60403001](#) [60993906-B](#) [M902-2131](#) [M902-2161](#) [72.330.1035.1](#) [73.353.4028.0](#) [F119300-B](#) [F166900](#) [F258300-B](#) [F358300-B](#)
[F407400](#) [F444110](#) [F487000](#) [F509500B-B](#) [827153-1](#) [8N1515-32-24P](#) [9-1326729-8](#) [925474-1](#) [928905-1](#) [964562-4](#) [968782-1](#) [GT17SA-8DS-](#)
[HU](#) [98891-1012](#) [98947-1016](#) [12004147](#) [12004475-L](#) [12010290](#) [12010309-B](#) [12015454](#) [12020219-B](#) [12020308](#) [12041318-B](#) [12052225-L](#)
[12052466](#) [12059125](#) [12064869](#) [12004327-B](#) [12010503-B](#) [12015308](#) [12015384](#) [12015909](#) [1-21030-1](#) [12041254](#) [12041318](#) [12047946-B](#)
[12047957](#) [12047957-L](#) [12059473](#) [12066261](#)