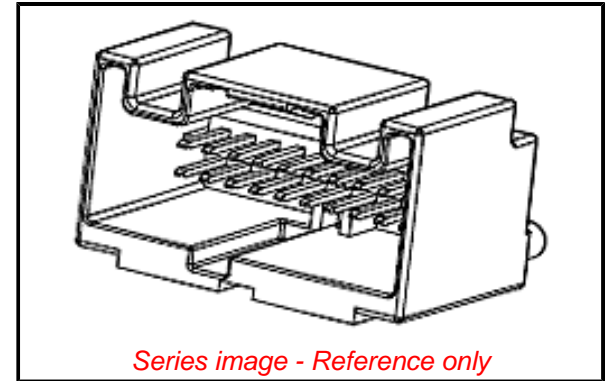


**PLEASE CHECK WWW.MOLEX.COM FOR LATEST PART INFORMATION**

**Part Number:** [0307004081](#)  
**Status:** **Active**  
**Overview:** H-DAC 64 Unsealed Connector System  
**Description:** 2.54mm Pitch, H-DAC 64 High Density Automotive Header, Dual Row, Vertical, 8 Circuits, Polarization Option 2, Black, Tray

**Documents:**

[3D Model](#) [Product Specification PS-30700-0001-001 \(PDF\)](#)  
[3D Model \(PDF\)](#) [Packaging Specification PK-30907-260-001 \(PDF\)](#)  
[Drawing \(PDF\)](#) [RoHS Certificate of Compliance \(PDF\)](#)



**General**

Product Family	PCB Headers
Series	<a href="#">30700</a>
Application	Automotive, Power, Wire-to-Board
Comments	Polarization Option 2
Overview	<u>H-DAC 64 Unsealed Connector System</u>
Product Name	H-DAC 64
UPC	800756066660

**Physical**

Breakaway	No
Circuits (Loaded)	8
Circuits (maximum)	8
Color - Resin	Black
Durability (mating cycles max)	10
First Mate / Last Break	No
Glow-Wire Capable	No
Guide to Mating Part	No
Keying to Mating Part	None
Lock to Mating Part	Yes
Material - Metal	Copper
Material - Plating Mating	Tin
Material - Plating Termination	Nickel
Material - Resin	Modified Polystyrene
Net Weight	3.860/g
Number of Rows	2
Orientation	Vertical
PC Tail Length	3.69mm
PCB Locator	Yes
PCB Retention	Yes
PCB Thickness - Recommended	1.57mm
Packaging Type	Tray
Pitch - Mating Interface	2.54mm
Polarized to Mating Part	Yes
Polarized to PCB	Yes
Shrouded	Fully
Stackable	No
Surface Mount Compatible (SMC)	No
Temperature Range - Operating	-40° to +100°C
Termination Interface: Style	Through Hole

**Electrical**

Current - Maximum per Contact	7.0A
Voltage - Maximum	500V DC

**Solder Process Data**

**EU ELV**

**Compliant**

**EU RoHS**

**Compliant**

**REACH SVHC**

Not Contained Per -  
D(2021)4569-DC (8  
July 2021)

**Halogen-Free**

**Status**

**Not Relevant**

For more information, please visit [Contact US](#)

China ROHS

Not Relevant

ELV

Compliant

RoHS Phthalates

Not Contained

**Search Parts in this Series**

[30700 Series](#)

**Mates With**

H-DAC 64 Housing [307001081](#)

Duration at Max. Process Temperature (seconds)	040
Lead-freeProcess Capability	SMC&WAVE
Max. Cycles at Max. Process Temperature	003
Process Temperature max. C	260

**Material Info**

**Reference - Drawing Numbers**

Packaging Specification	PK-30907-260-001
Product Specification	PS-30700-0001-001
Sales Drawing	SD-30700-420-001

This document was generated on 09/13/2021

**PLEASE CHECK [WWW.MOLEX.COM](http://WWW.MOLEX.COM) FOR LATEST PART INFORMATION**

## X-ON Electronics

Largest Supplier of Electrical and Electronic Components

*Click to view similar products for [Automotive Connectors](#) category:*

*Click to view products by [Molex](#) manufacturer:*

Other Similar products are found below :

[003-018-000](#) [60403001](#) [60993906-B](#) [M902-2131](#) [M902-2161](#) [72.330.1035.1](#) [73.353.4028.0](#) [F119300-B](#) [F166900](#) [F258300-B](#) [F358300-B](#)  
[F407400](#) [F444110](#) [F487000](#) [F509500B-B](#) [827153-1](#) [8N1515-32-24P](#) [9-1326729-8](#) [925474-1](#) [928905-1](#) [964562-4](#) [968782-1](#) [GT17SA-8DS-](#)  
[HU](#) [98891-1012](#) [98947-1016](#) [12004475-L](#) [12010290](#) [12010309-B](#) [12015454](#) [12020219-B](#) [12020308](#) [12041318-B](#) [12052225-L](#) [12052466](#)  
[12059125](#) [12064869](#) [12004327-B](#) [12010503-B](#) [12015308](#) [12015384](#) [12015909](#) [1-21030-1](#) [12041254](#) [12041318](#) [12047946-B](#) [12047957](#)  
[12047957-L](#) [12059473](#) [12066261](#) [12110546](#)