

**PLEASE CHECK WWW.MOLEX.COM FOR LATEST PART INFORMATION**

**Part Number:** **0307004240**  
**Status:** **Active**  
**Overview:** H-DAC 64 Unsealed Connector System  
**Description:** 2.54mm, 3.50mm Pitch, H-DAC 64 Hybrid Header, Dual Row, Vertical, 24 Circuits, Polarization Option A, Gray, Tray

**Documents:**

[3D Model](#) [Product Specification PS-30700-024-001 \(PDF\)](#)  
[3D Model \(PDF\)](#) [Packaging Specification PK-30907-261-001 \(PDF\)](#)  
[Drawing \(PDF\)](#) [RoHS Certificate of Compliance \(PDF\)](#)

**General**

Product Family PCB Headers  
Series 30700  
Application Automotive, Power, Wire-to-Board  
Comments Polarization Option A  
Overview H-DAC 64 Unsealed Connector System  
Product Name H-DAC 64  
UPC 800754879651

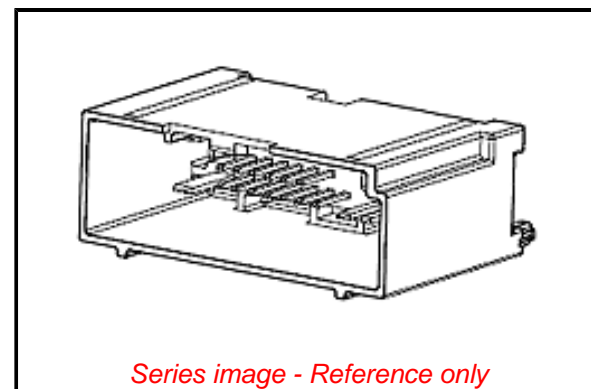
**Physical**

Breakaway No  
Circuits (Loaded) 24  
Circuits (maximum) 24  
Color - Resin Gray  
Durability (mating cycles max) 10  
First Mate / Last Break No  
Glow-Wire Capable No  
Guide to Mating Part No  
Keying to Mating Part None  
Lock to Mating Part Yes  
Material - Metal Copper  
Material - Plating Mating Tin  
Material - Plating Termination Nickel  
Material - Resin Modified Polystyrene  
Net Weight 13.845/g  
Number of Rows 2  
Orientation Vertical  
PC Tail Length 3.69mm  
PCB Locator Yes  
PCB Retention Yes  
PCB Thickness - Recommended 1.57mm  
Packaging Type Tray  
Pitch - Mating Interface 2.54mm  
Polarized to Mating Part Yes  
Polarized to PCB Yes  
Shrouded Fully  
Stackable No  
Surface Mount Compatible (SMC) No  
Temperature Range - Operating -40° to +100°C  
Termination Interface: Style Through Hole

**Electrical**

Current - Maximum per Contact 7.0A  
Voltage - Maximum 500V DC

**Solder Process Data**



**EU ELV**

**Compliant**

**EU RoHS**

**Compliant**

**REACH SVHC**

Not Contained Per -  
D(2021)4569-DC (8  
July 2021)

**Halogen-Free**

**Status**

**Low-Halogen**

For more information, please visit [Contact US](#)

China ROHS

ELV

RoHS Phthalates

**China RoHS**

Green Image

Compliant

Not Contained

**Search Parts in this Series**

[30700 Series](#)

**Mates With**

H-DAC 64 Housing [307001244](#)

|  |          |
|--|----------|
| Duration at Max. Process Temperature (seconds) | 040      |
| Lead-freeProcess Capability                    | SMC&WAVE |
| Max. Cycles at Max. Process Temperature        | 003      |
| Process Temperature max. C                     | 260      |

**Material Info**

**Reference - Drawing Numbers**

|                         |                  |
|-------------------------|------------------|
| Packaging Specification | PK-30907-261-001 |
| Product Specification   | PS-30700-024-001 |
| Sales Drawing           | SD-30700-424-001 |

This document was generated on 09/14/2021

**PLEASE CHECK [WWW.MOLEX.COM](http://WWW.MOLEX.COM) FOR LATEST PART INFORMATION**

## X-ON Electronics

Largest Supplier of Electrical and Electronic Components

*Click to view similar products for [Automotive Connectors](#) category:*

*Click to view products by [Molex](#) manufacturer:*

Other Similar products are found below :

[003-018-000](#) [60403001](#) [60993906-B](#) [M902-2131](#) [M902-2161](#) [72.330.1035.1](#) [73.353.4028.0](#) [F119300-B](#) [F166900](#) [F258300-B](#) [F358300-B](#)  
[F407400](#) [F444110](#) [F487000](#) [F509500B-B](#) [827153-1](#) [8N1515-32-24P](#) [9-1326729-8](#) [925474-1](#) [928905-1](#) [964562-4](#) [968782-1](#) [GT17SA-8DS-](#)  
[HU](#) [98891-1012](#) [98947-1016](#) [12004475-L](#) [12010290](#) [12010309-B](#) [12015454](#) [12020219-B](#) [12020308](#) [12041318-B](#) [12052225-L](#) [12052466](#)  
[12059125](#) [12064869](#) [12004327-B](#) [12010503-B](#) [12015308](#) [12015384](#) [12015909](#) [1-21030-1](#) [12041254](#) [12041318](#) [12047946-B](#) [12047957](#)  
[12047957-L](#) [12059473](#) [12066261](#) [12110546](#)