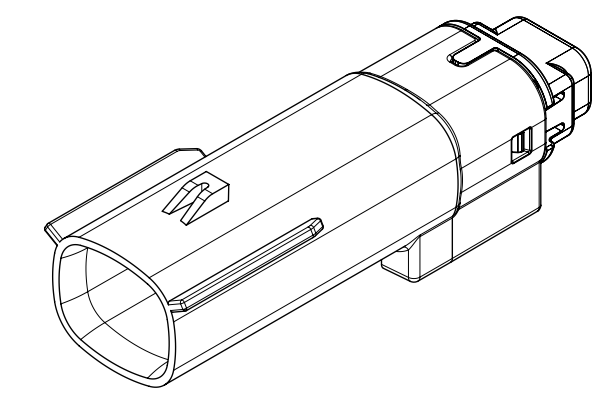


TABLE OF CONTENTS	
SHEET NO.	SHEET DESCRIPTION
1	NOTES AND BOM
2	CONFIGURATIONS
3-4	KEY CONFIGURATIONS
5	BLADE SEALED ASSEMBLY
6	SYSTEM PACKAGING
7	BACKSHELL NOTES
8	BACKSHELL
9	BACKSHELL CONFIGURATIONS

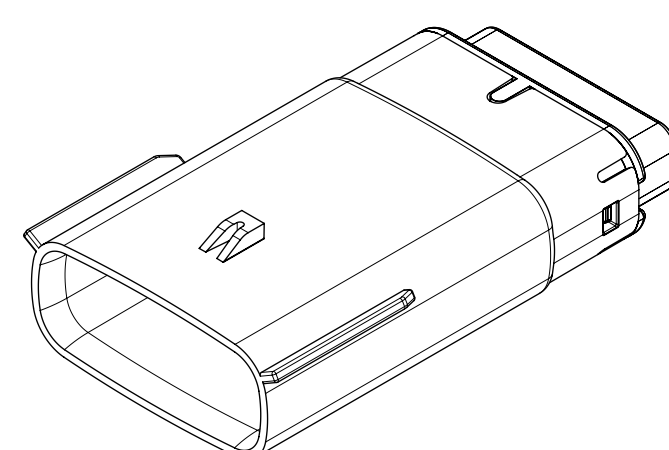
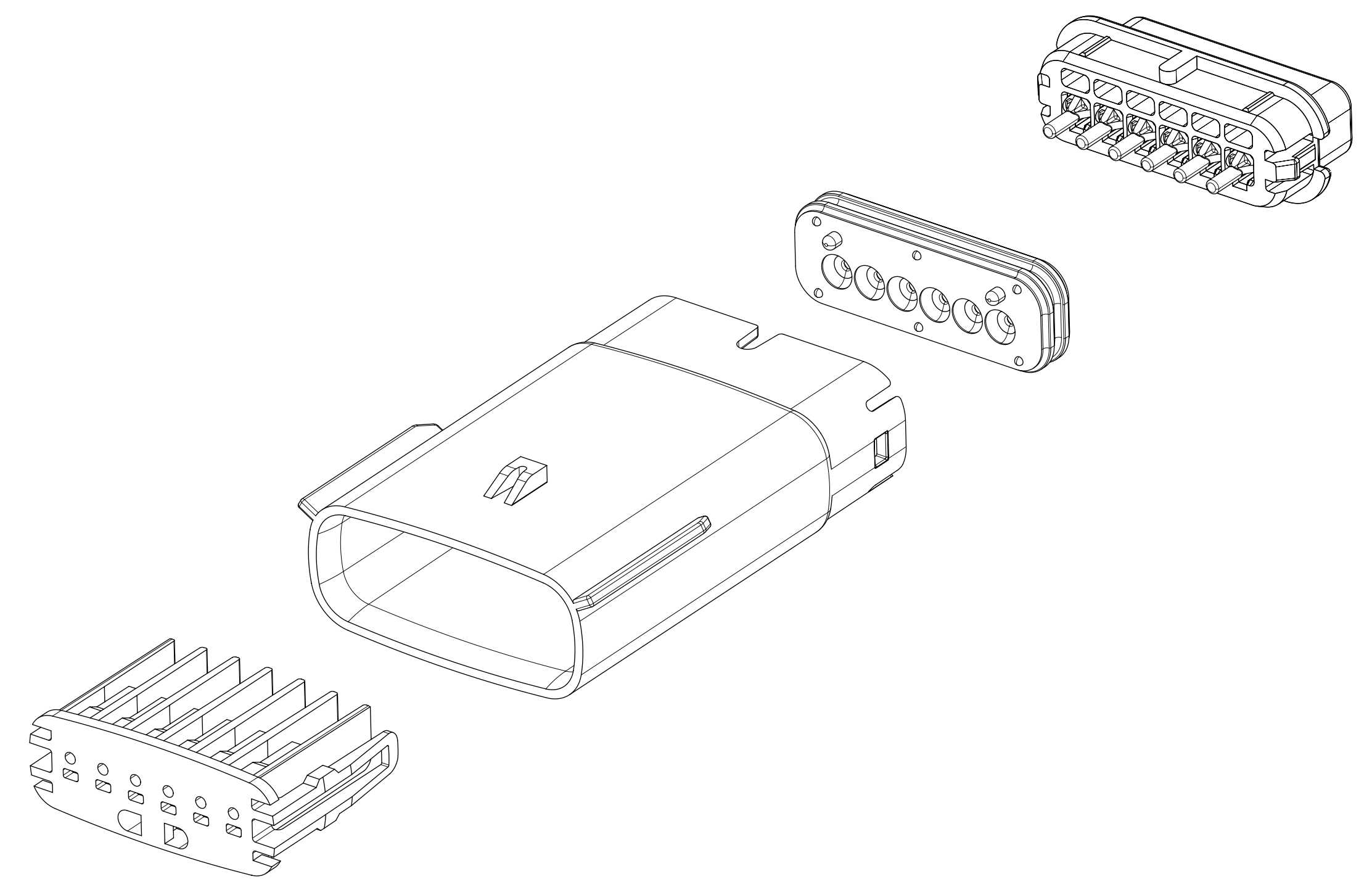
NOTES: VALID UNLESS OTHERWISE SPECIFIED

1. GENERAL:
- a. APPLICATION SPECIFICATION SEE: AS-33472-100
- CONTAINS: PRODUCT INTRODUCTION, PRODUCT SUMMARY, CONNECTOR ASSEMBLY, PACKAGING INFORMATION, CONNECTOR MATING, SERVICE INSTRUCTIONS, ELECTRICAL CONTINUITY CHECKING, CRIMPING, AND TROUBLESHOOTING.
 - DESIGNED TO MATE WITH RECEPTACLE SEALED ASSEMBLY AS SPECIFIED IN THE MATING CONNECTOR DRAWINGS CHART.
 - *DENOTES DRAWINGS THAT CAN BE ACCESSED AT <http://ewcap.uscarteams.org/>
 - ASSEMBLY SHIPPED WITH PLR IN PRE-LOCK POSITION (SEE PLR PRE-LOCK VIEW SHEET 5).
- b. PRODUCT SPECIFICATION SEE:
- STANDARD CONFIGURATION: PS-33471-000
 - UL V0 CONFIGURATION: PS-160105-0001
 - CONTAINS: PRODUCT INTRODUCTION, PRODUCT SUMMARY, RATINGS (CURRENT, TEMPERATURE, SEALING, AND FLAMMABILITY), TERMINALS, WIRE DIAMETER RANGE, PRODUCT VALIDATION, AND PRODUCT DEVIATIONS.
- c. PACKAGING SPECIFICATION PER MOLEX DRAWING: PK-31300-635 (PK-33471-000 FOR 1X5)
- d. PARTS MUST BE IN COMPLIANCE TO MOLEX CHEMICAL SUBSTANCES FOR PRODUCTS AND PACKAGING SPECIFICATION: QEHS-699000-300
- e. DATA MUST BE SUBMITTED UNDER THE MOLEX PART NUMBER TO IMDS (COMPANY ID#13255)
2. DESIGN - MATERIALS:
- a. FOR BILL OF MATERIALS SEE:
- STANDARD CONFIGURATION: SD-33481-0002
 - UL V0 CONFIGURATION: SD-160106-0002
3. DESIGN - GEOMETRY:
- a. THE 3-D CAD DATA IS BASIC (WITHOUT TOLERANCE) AND MASTER FOR THIS PART WITH THE EXCEPTION OF UNDERLINED DIMENSIONS. DIMENSIONAL INFORMATION NOT SHOWN ON THIS DRAWING IS DEFINED BY THE DATA FILE AT ITS LATEST REVISION.
- b. GEOMETRIC DIMENSIONS AND TOLERANCES PER ASME Y14.5M-2009
- c. EDGES AND UNDIMENSIONED DETAILS PER ISO13715
- d. CORNERS SHOWN AS SHARP TO BE R 0.2 MAX.
- e. LETTERING SHALL BE 0.15 MAX RAISED IN 0.25 MAX RECESS PAD. THIS INCLUDES RECYCLING CODE, CAVITY ID, VENDOR IDENTIFICATION, AND CUSTOMER MATERIAL NUMBER.
- f. VISUAL DEFECTS SHALL MEET COSMETIC STANDARD PS-45499-002 (Class B).
- g. LASER MARKING:
1. PART NUMBER
 2. DAY OF THE YEAR
 3. SHIFT
 4. YEAR
- FOR ADDITIONAL INFORMATION SEE SECTION 5 UNDER PROCEDURES IN ES-34735-008.

MATING CONNECTOR DRAWINGS	
DESCRIPTION	MOLEX INLINE
1X2	SD-33471-0001
1X6	SD-33471-0001



1X2



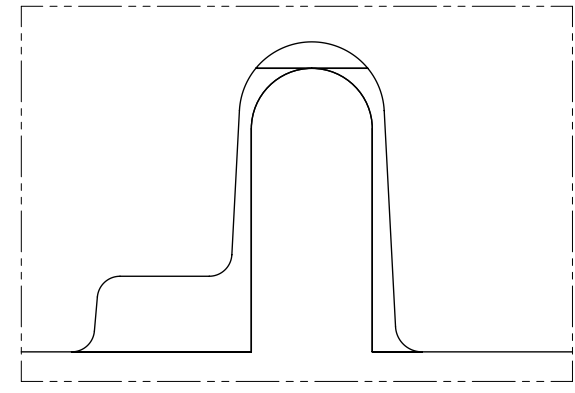
1X6

INSPECTION NUMBER LOG	
LAST NUMBER: 9	ADDED:
2	INITIAL RELEASE
1	UPDATED VIEWSETS
REV	REV DESCRIPTION

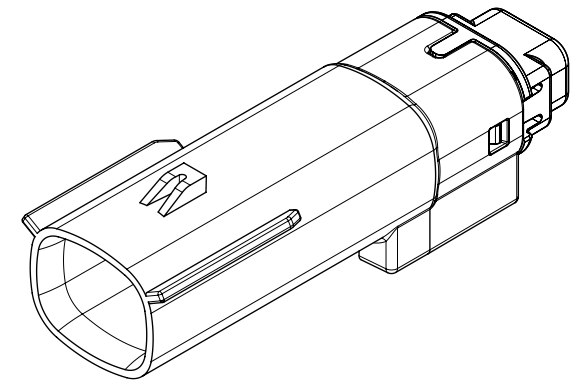
A1	NX REMASTERING , CHANGE PS DRAWING NUMBER FROM PS-160105-0001 TO PS-160074-0001 IN NOTES 1.b
A	MINOR GEOMETRY CHANGE FOR UL V0

SYMBOLS = 0 = 0 = 0 = 0 = 0 = 0 = 0 = 0 = 0	THIS DRAWING CONTAINS INFORMATION THAT IS PROPRIETARY TO MOLEX ELECTRONIC TECHNOLOGIES, LLC AND SHOULD NOT BE USED WITHOUT WRITTEN PERMISSION DIMENSION UNITS: MM ONLY SCALE: 1.5:1	CURRENT REV DESC: EC NO: 602373 DRWN: DSHETTY01 2018/05/25 CHK'D: MVANSLAMBROU 2018/10/04 APPR: MVANSLAMBROU 2018/10/04			
	GENERAL TOLERANCES (UNLESS SPECIFIED) ANGULAR TOL ± 1.0°	INITIAL REVISION: DRWN: APROFFITT 2015/07/21 APPR: KDEKOSKI 2016/06/14	MX150 BLADE SINGLE ROW SEALED ASSY MAT SEAL		
	4 PLACES ± 3 PLACES ± 2 PLACES ± 0.1 1 PLACE ± 0.2 0 PLACES ±	PRODUCT CUSTOMER DRAWING DOCUMENT NUMBER: SD-33481-0001 DOC TYPE: PSD DOC PART: 001 REVISION: A1	PRODUCT CUSTOMER DRAWING		
	DRAFT WHERE APPLICABLE MUST REMAIN WITHIN DIMENSIONS	THIRD ANGLE PROJECTION 	DRAWING: A1-SIZE SERIES: 33481	MATERIAL NUMBER: SEE NOTE 2a. CUSTOMER: GENERAL MARKET	SHEET NUMBER: 1 OF 9

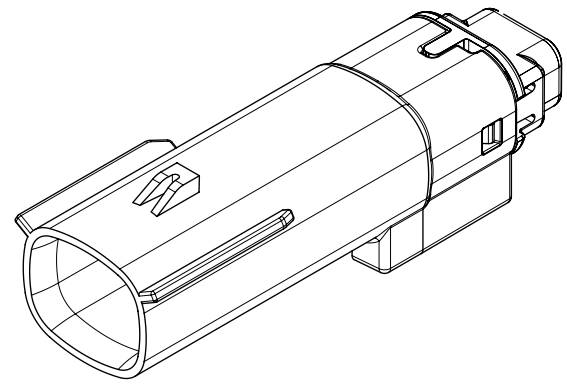
SHEET DESCRIPTION
CONFIGURATIONS



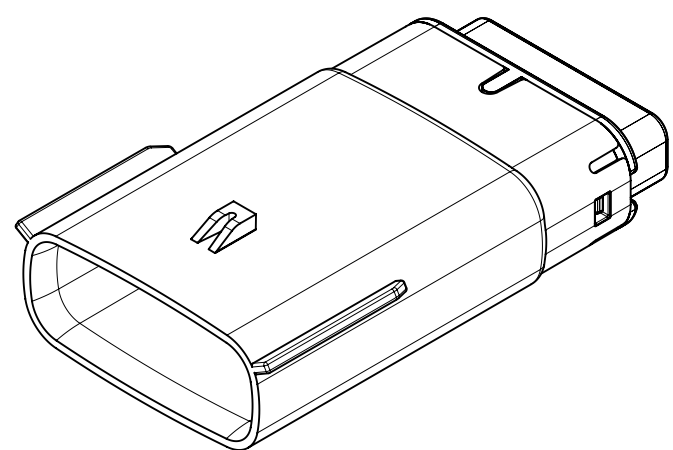
UL V0 UNIQUE FEATURE
Partial1
SCALE 10:1



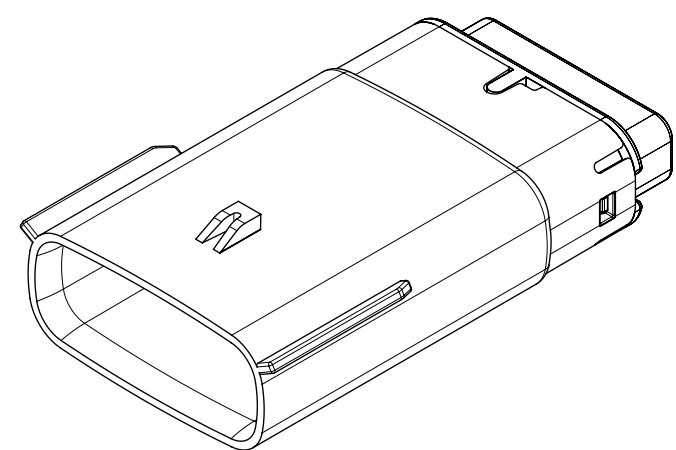
1x2 - STD



1X2 - UL V0*



1x6 - STD

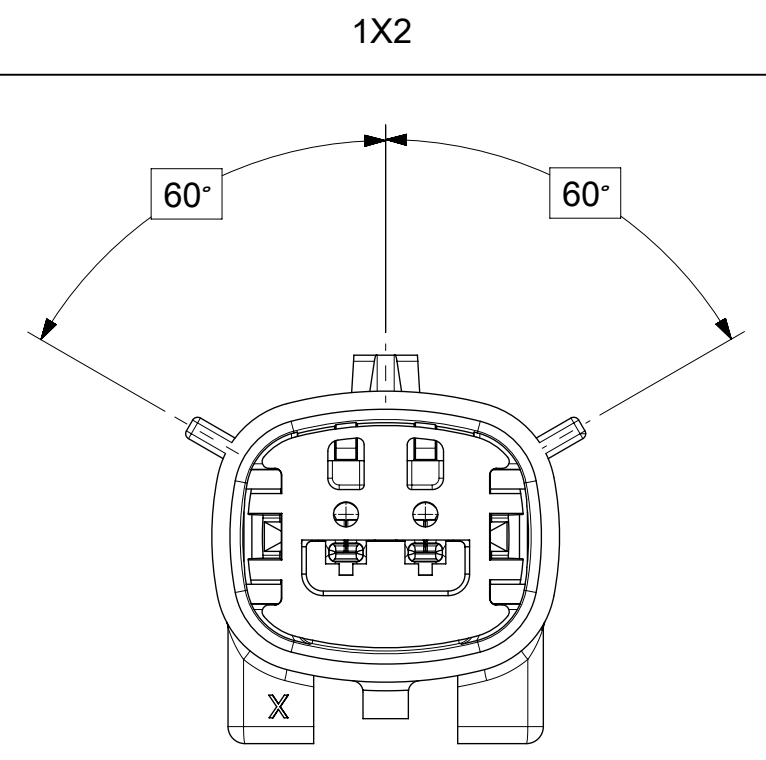


1x6 - UL V0*

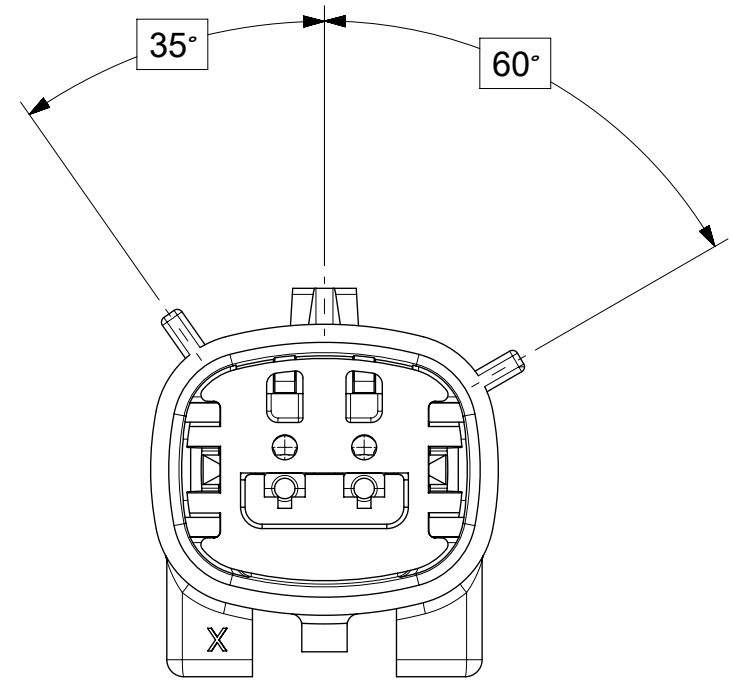
* MINOR GEOMETRY DIFFERENCE THAN STANDARD CONFIGURATION.
SEE NOTES 1 & 2 FOR MORE INFORMATION

SYMBOLS	THIS DRAWING CONTAINS INFORMATION THAT IS PROPRIETARY TO MOLEX ELECTRONIC TECHNOLOGIES, LLC AND SHOULD NOT BE USED WITHOUT WRITTEN PERMISSION		CURRENT REV DESC:							
	DIMENSION UNITS	SCALE						EC NO: 602373	DRWN: DSHETTY01	2018/05/25
▽ = 0	MM ONLY	1.5:1	GENERAL TOLERANCES (UNLESS SPECIFIED)		CHK'D: MVANSLAMBROU	2018/10/04	PRODUCT CUSTOMER DRAWING			
▽ = 0	ANGULAR TOL ± 1.0°		APPR: MVANSLAMBROU		2018/10/04	DOCUMENT NUMBER		DOC TYPE	DOC PART	REVISION
▽ = 0	4 PLACES	±	INITIAL REVISION:		DRWN: APROFFITT	2015/07/21	SD-33481-0001	PSD	001	A1
▽ = 0	3 PLACES	±	DRWN: APROFFITT		2015/07/21	2016/06/14	MATERIAL NUMBER	CUSTOMER	SHEET NUMBER	2 OF 9
▽ = 0	2 PLACES	± 0.1	APPR: KDEKOSKI		2016/06/14	SEE NOTE 2a.				
▽ = 0	1 PLACE	± 0.2	DRAFT WHERE APPLICABLE MUST REMAIN WITHIN DIMENSIONS		THIRD ANGLE PROJECTION	DRAWING	SERIES		A1-SIZE 33481	
▽ = 0	0 PLACES	±								

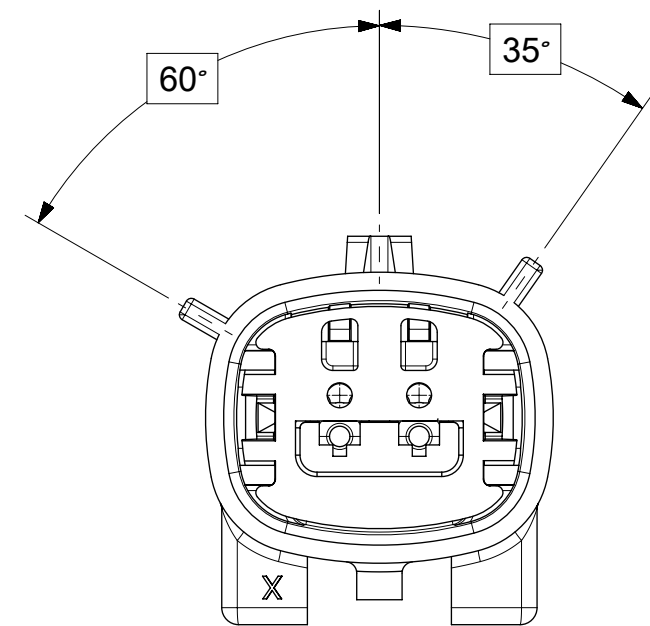
SHEET DESCRIPTION
KEY CONFIGURATIONS



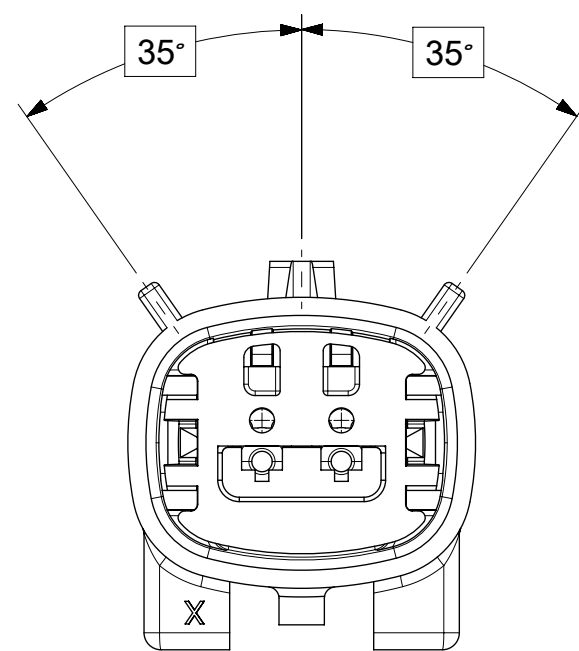
KEY A



KEY B



KEY C

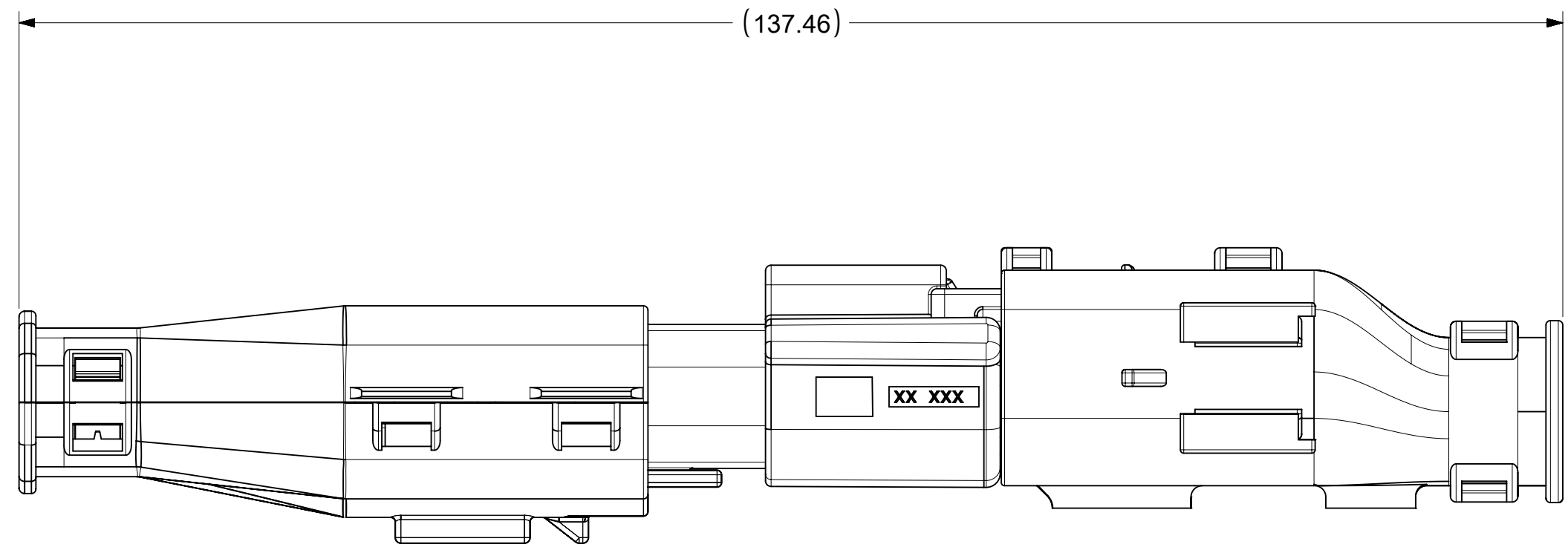


KEY D

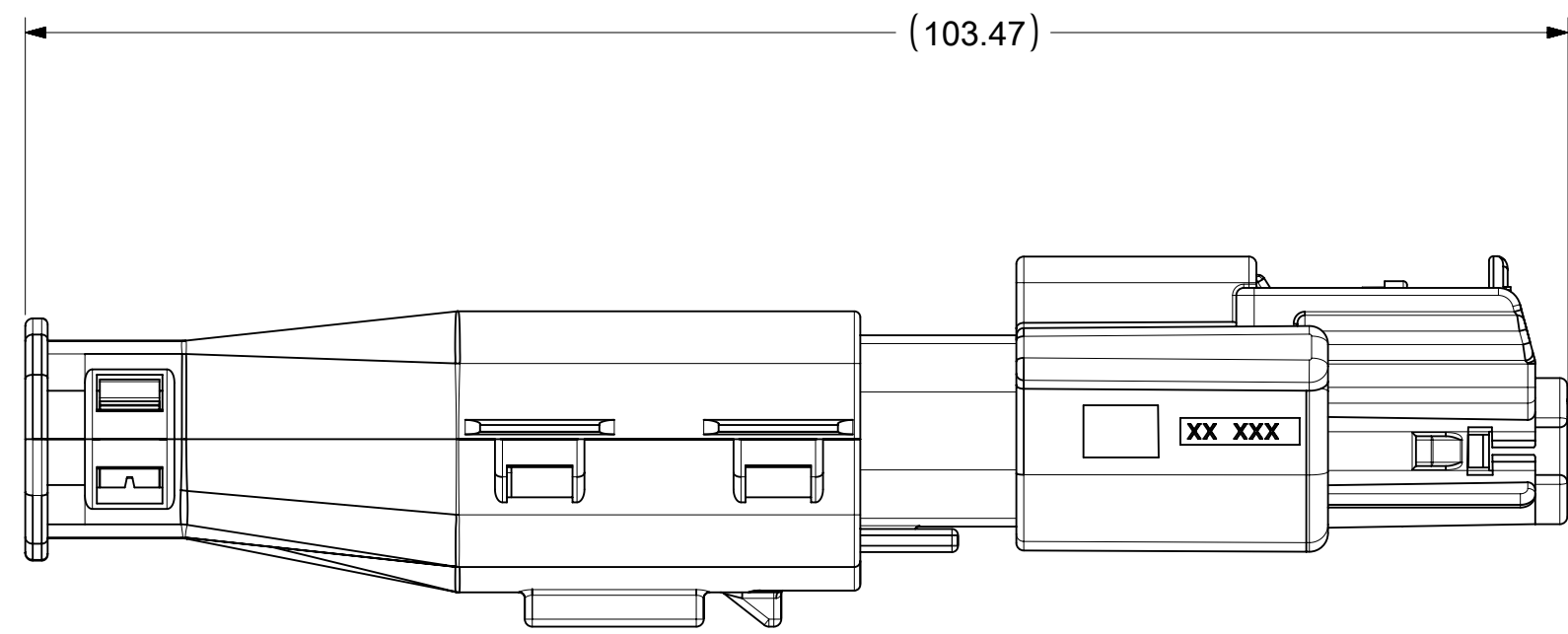
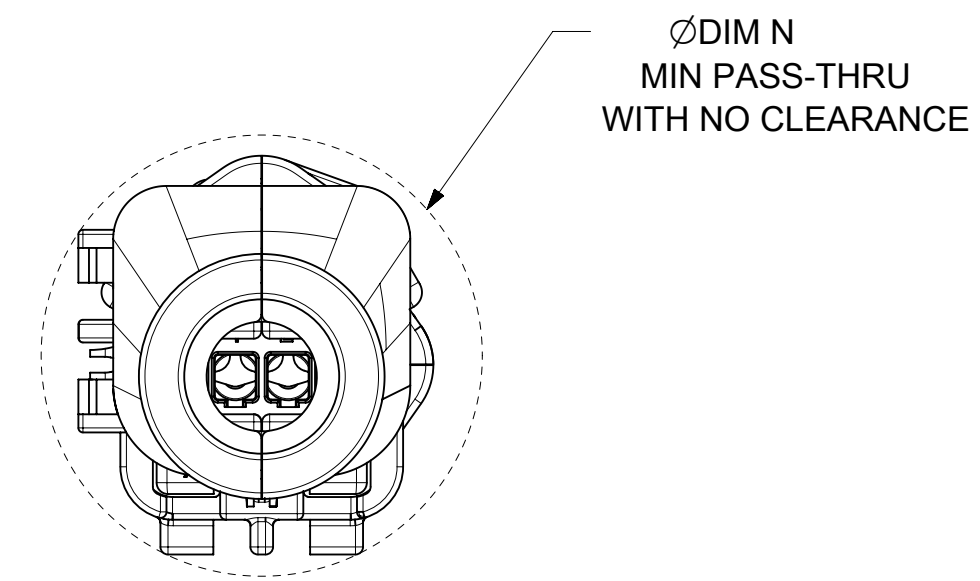
SYMBOLS = 0 	THIS DRAWING CONTAINS INFORMATION THAT IS PROPRIETARY TO MOLEX ELECTRONIC TECHNOLOGIES, LLC AND SHOULD NOT BE USED WITHOUT WRITTEN PERMISSION DIMENSION UNITS: MM ONLY SCALE: 3:1 GENERAL TOLERANCES (UNLESS SPECIFIED) ANGULAR TOL ± 1.0° 4 PLACES ± 3 PLACES ± 2 PLACES ± 0.1 1 PLACE ± 0.2 0 PLACES ± DRAFT WHERE APPLICABLE MUST REMAIN WITHIN DIMENSIONS	CURRENT REV DESC: EC NO: 602373 DRWN: DSHETTY01 2018/05/25 CHK'D: MVANSLAMBROU 2018/10/04 APPR: MVANSLAMBROU 2018/10/04 INITIAL REVISION: DRWN: APROFFITT 2015/07/21 APPR: KDEKOSKI 2016/06/14	 MX150 BLADE SINGLE ROW SEALED ASSY MAT SEAL PRODUCT CUSTOMER DRAWING DOCUMENT NUMBER: SD-33481-0001 DOC TYPE: PSD DOC PART: 001 REVISION: A1 MATERIAL NUMBER: SEE NOTE 2a. CUSTOMER: GENERAL MARKET SHEET NUMBER: 3 OF 9
--	--	---	---

SHEET DESCRIPTION
BACKSHELL CONFIGURATIONS

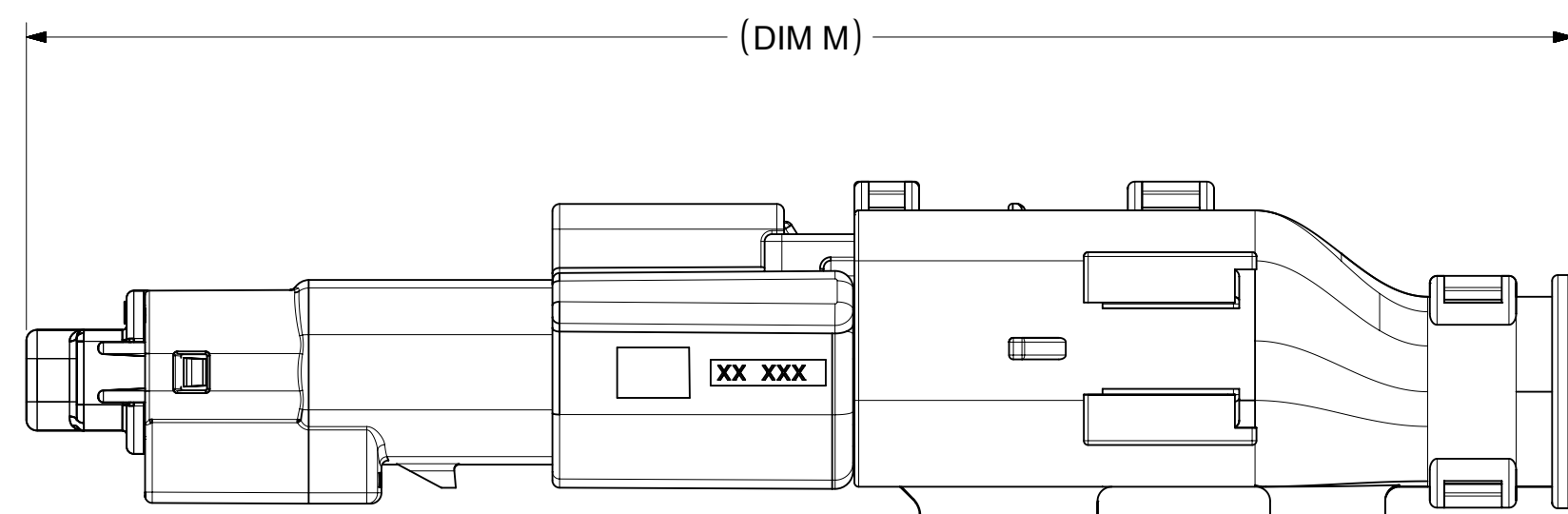
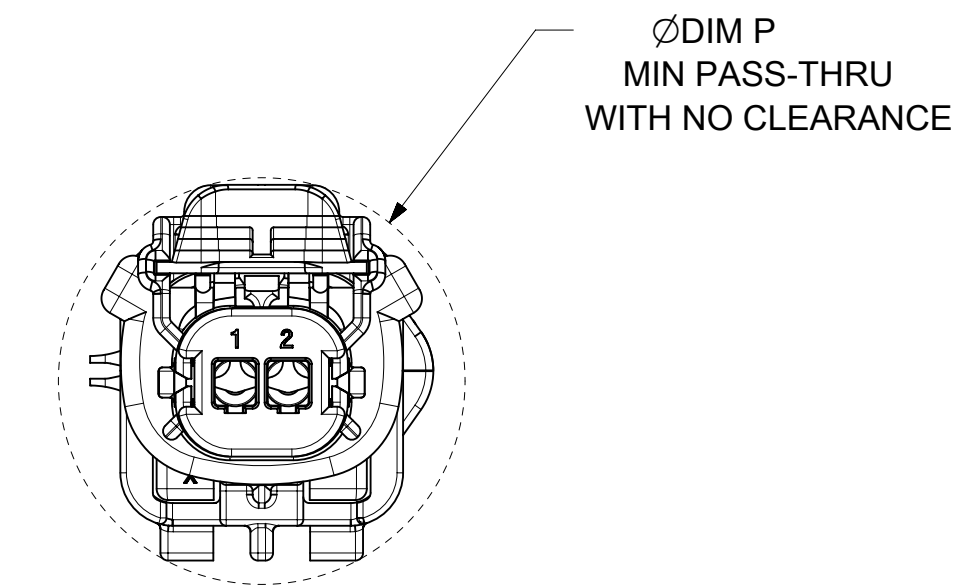
CKT	BLADE CONFIGURATION	RECEPTACLE CONFIGURATION	DIMENSIONS				
			M	N	P	R	S
1X2	STANDARD	STANDARD	107.84	29.50	27.00	26.25	25.00



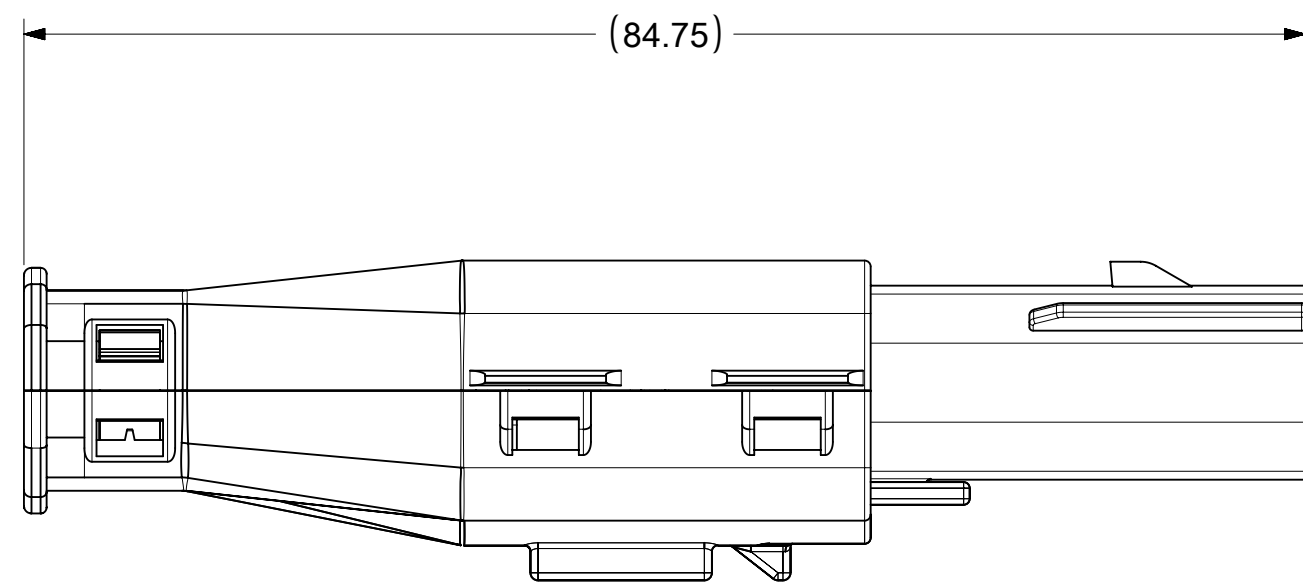
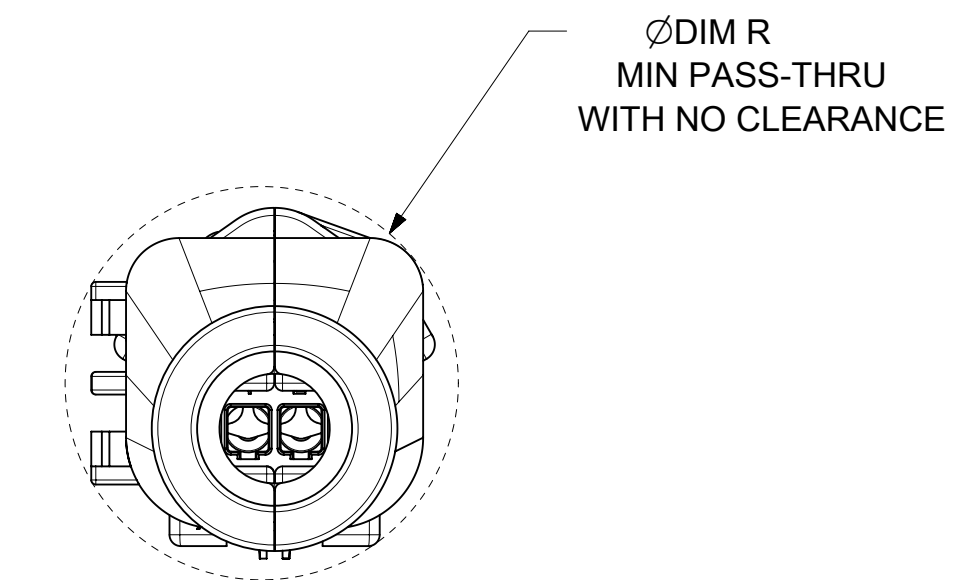
OVERALL MATED SYSTEM WITH BLADE AND RECEPTACLE BACKSHELL



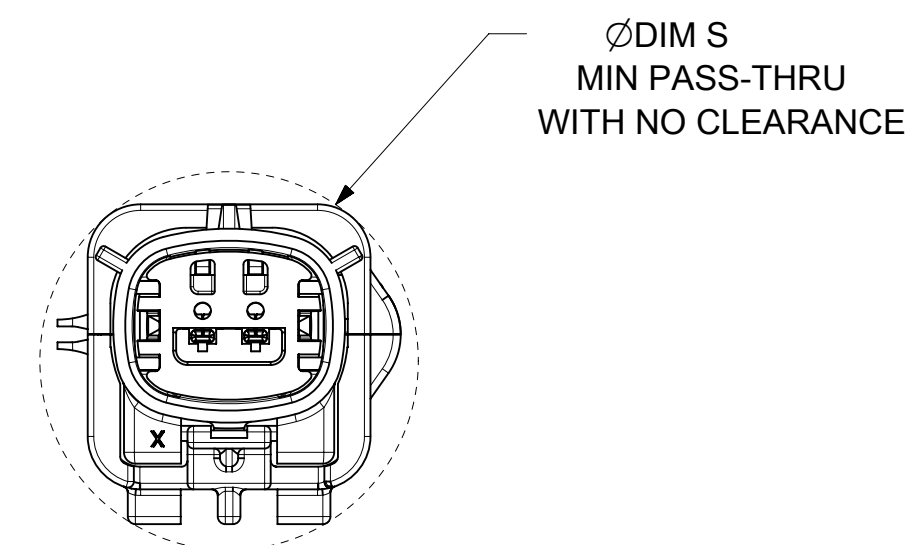
OVERALL MATED SYSTEM WITH BLADE BACKSHELL



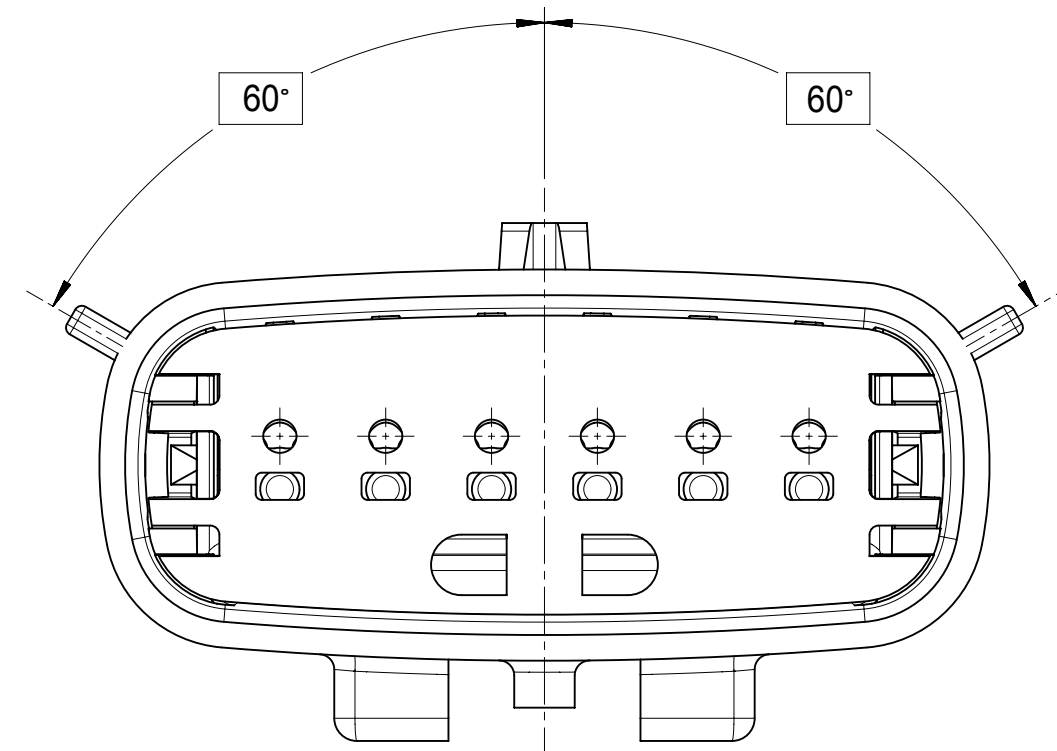
OVERALL MATED SYSTEM WITH RECEPTACLE BACKSHELL



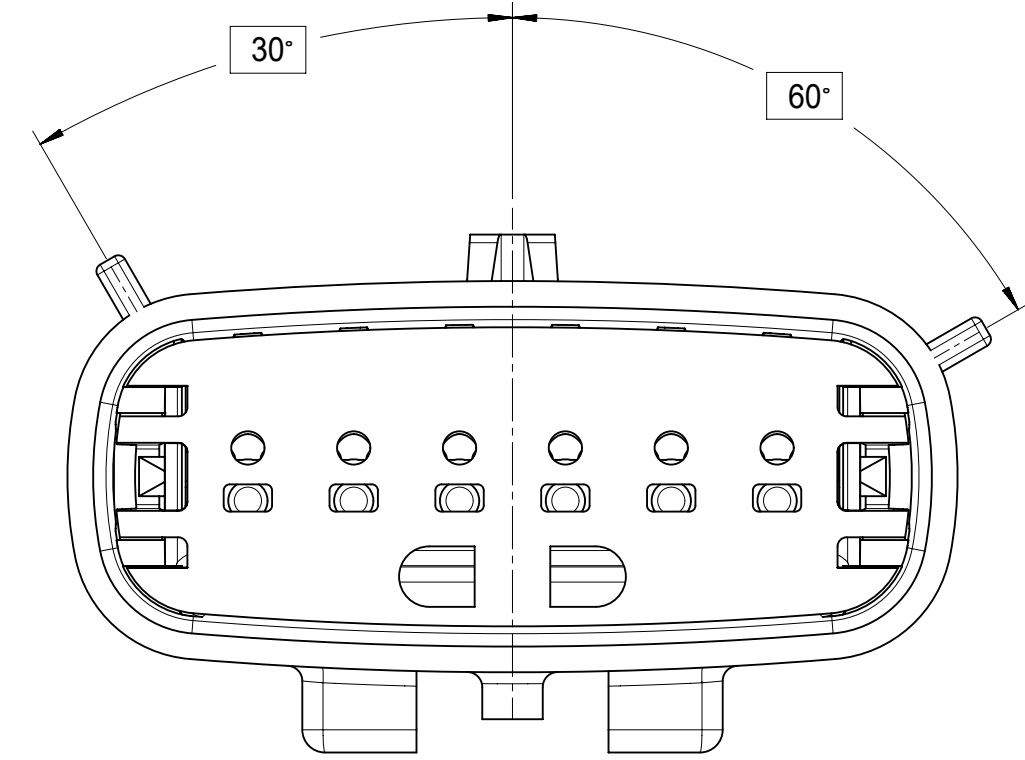
BLADE SEALED ASSEMBLY WITH BLADE BACKSHELL



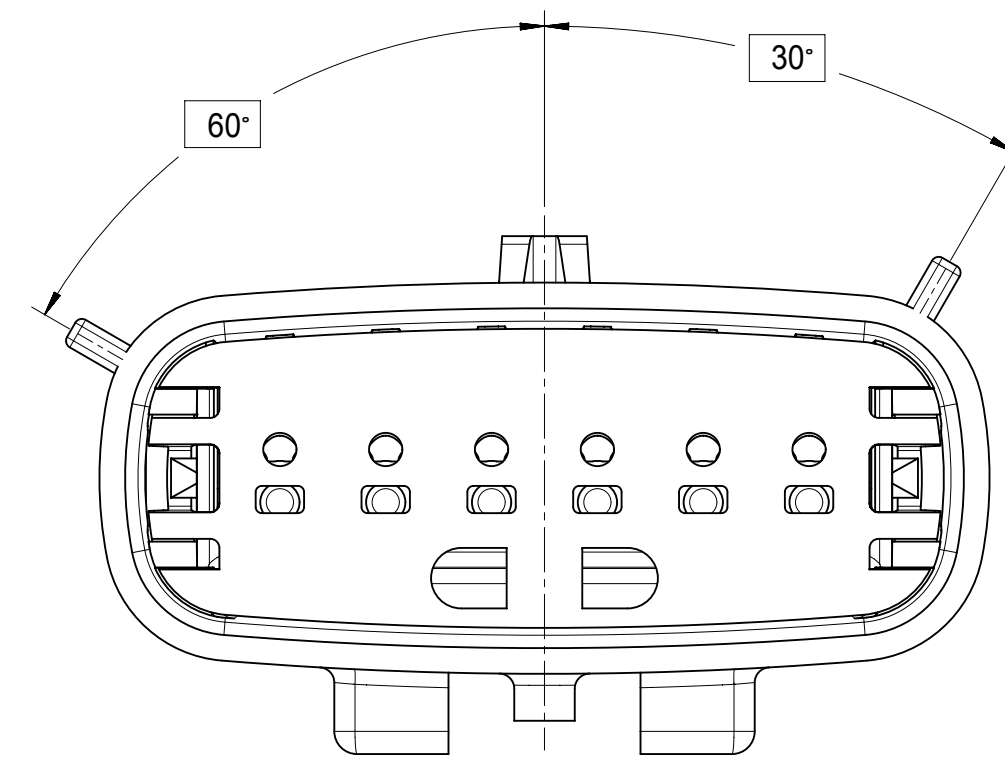
SYMBOLS = 0 = 0 = 0 = 0 = 0 = 0 = 0	THIS DRAWING CONTAINS INFORMATION THAT IS PROPRIETARY TO MOLEX ELECTRONIC TECHNOLOGIES, LLC AND SHOULD NOT BE USED WITHOUT WRITTEN PERMISSION DIMENSION UNITS: MM ONLY SCALE: 2:1	CURRENT REV DESC: EC NO: 602373 DRWN: DSHETTY01 2018/05/25 CHK'D: MVANSLAMBROU 2018/10/04 APPR: MVANSLAMBROU 2018/10/04 INITIAL REVISION: DRWN: APROFFITT 2015/07/21 APPR: KDEKOSKI 2016/06/14	 MX150 BLADE SINGLE ROW SEALED ASSY MAT SEAL		
	GENERAL TOLERANCES (UNLESS SPECIFIED) ANGULAR TOL ± 1.0° 4 PLACES ± 3 PLACES ± 2 PLACES ± 0.1 1 PLACE ± 0.2 0 PLACES ±	DRAFT WHERE APPLICABLE MUST REMAIN WITHIN DIMENSIONS	THIRD ANGLE PROJECTION 	DRAWING: A1-SIZE SERIES: 33481	MATERIAL NUMBER: SEE NOTE 2a. CUSTOMER: GENERAL MARKET



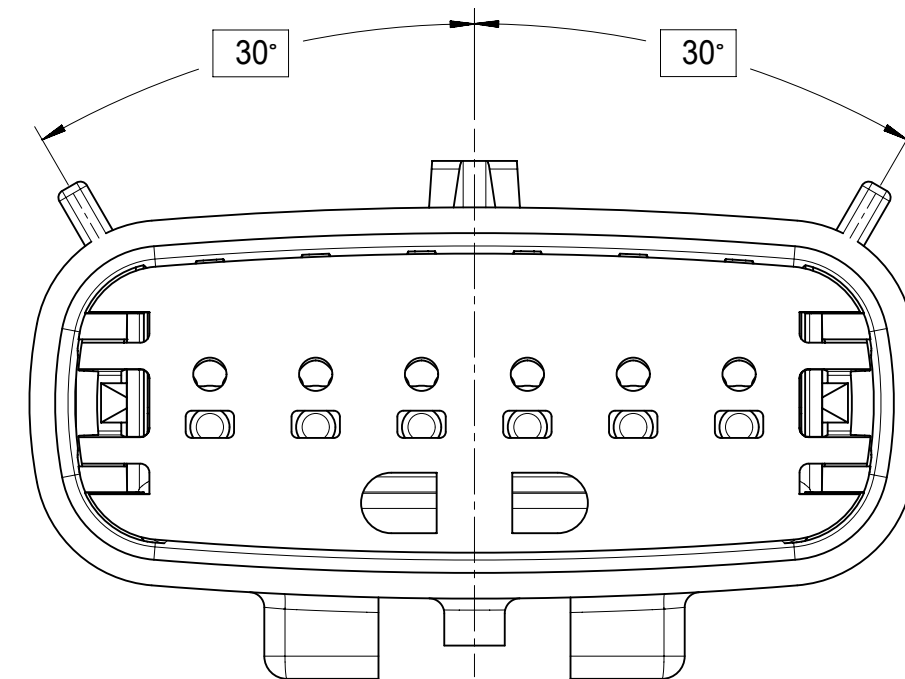
KEY A



KEY B



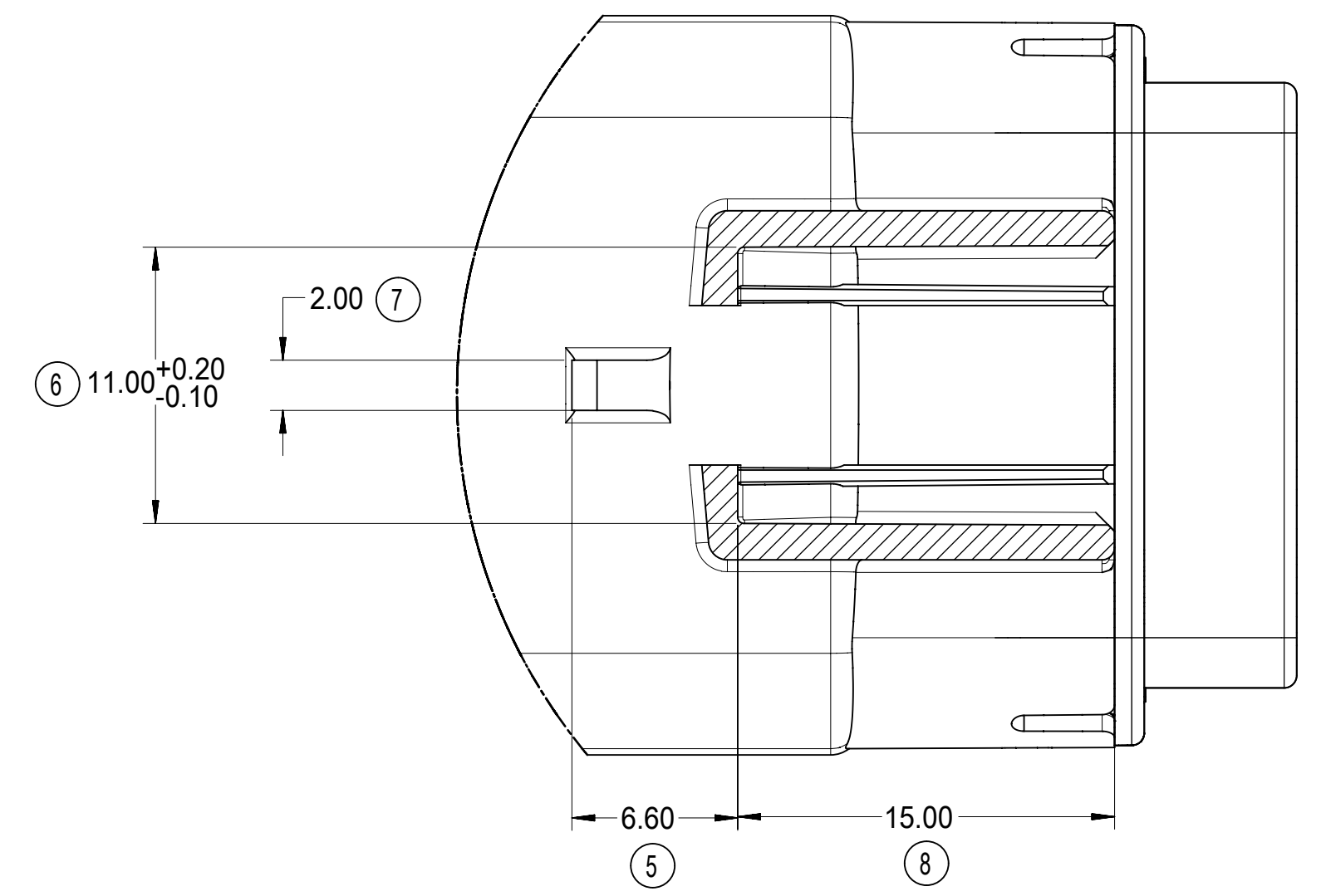
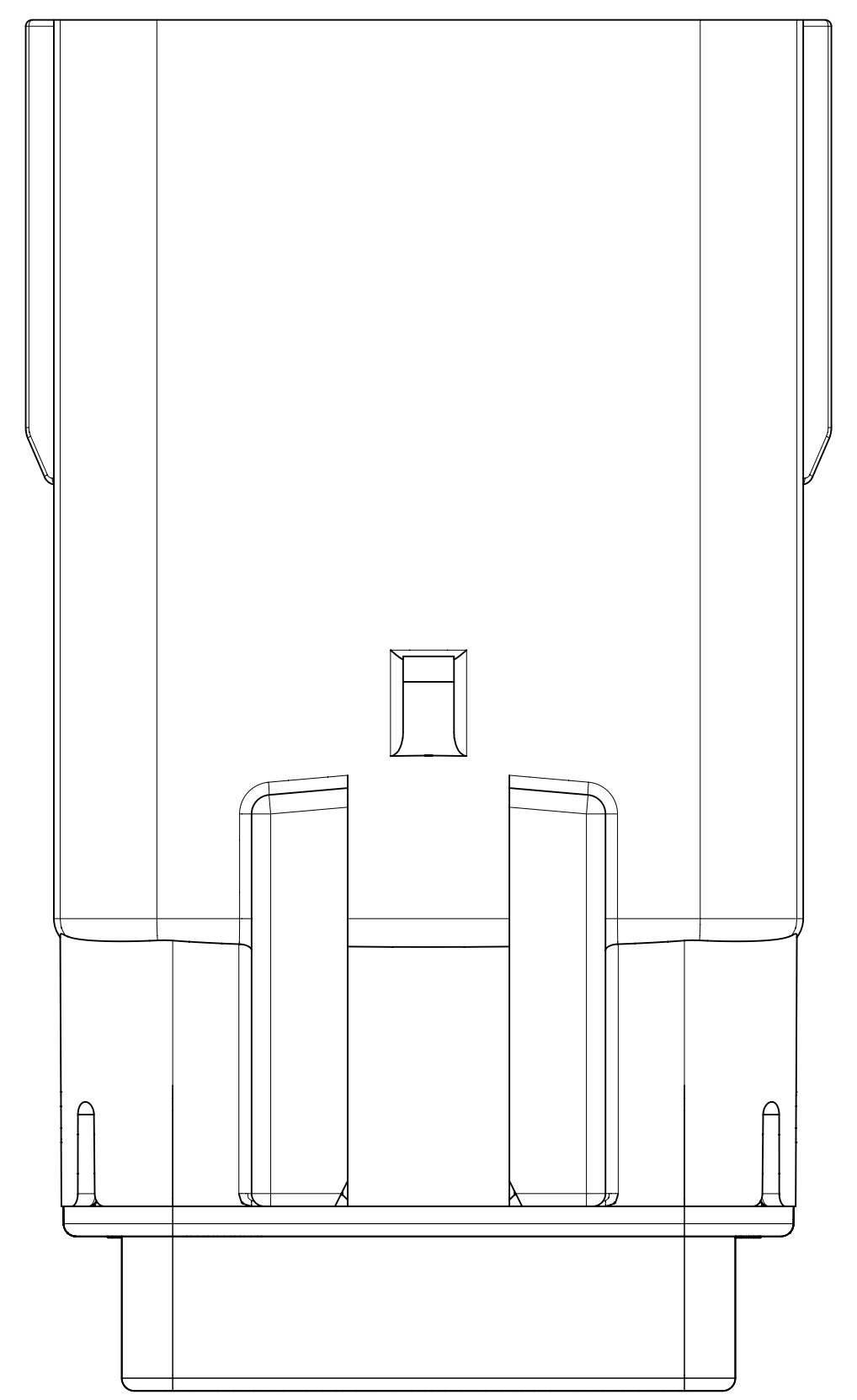
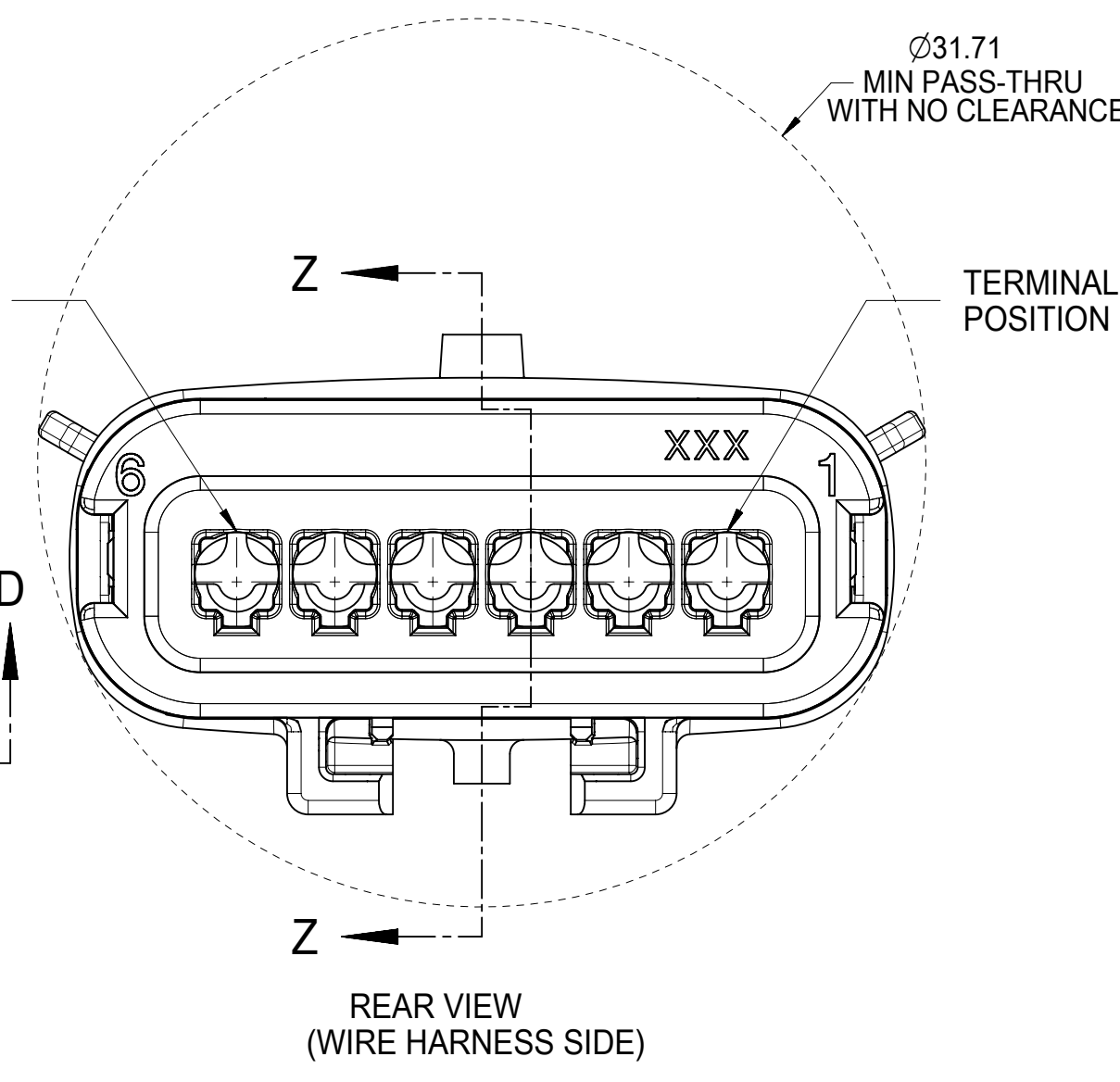
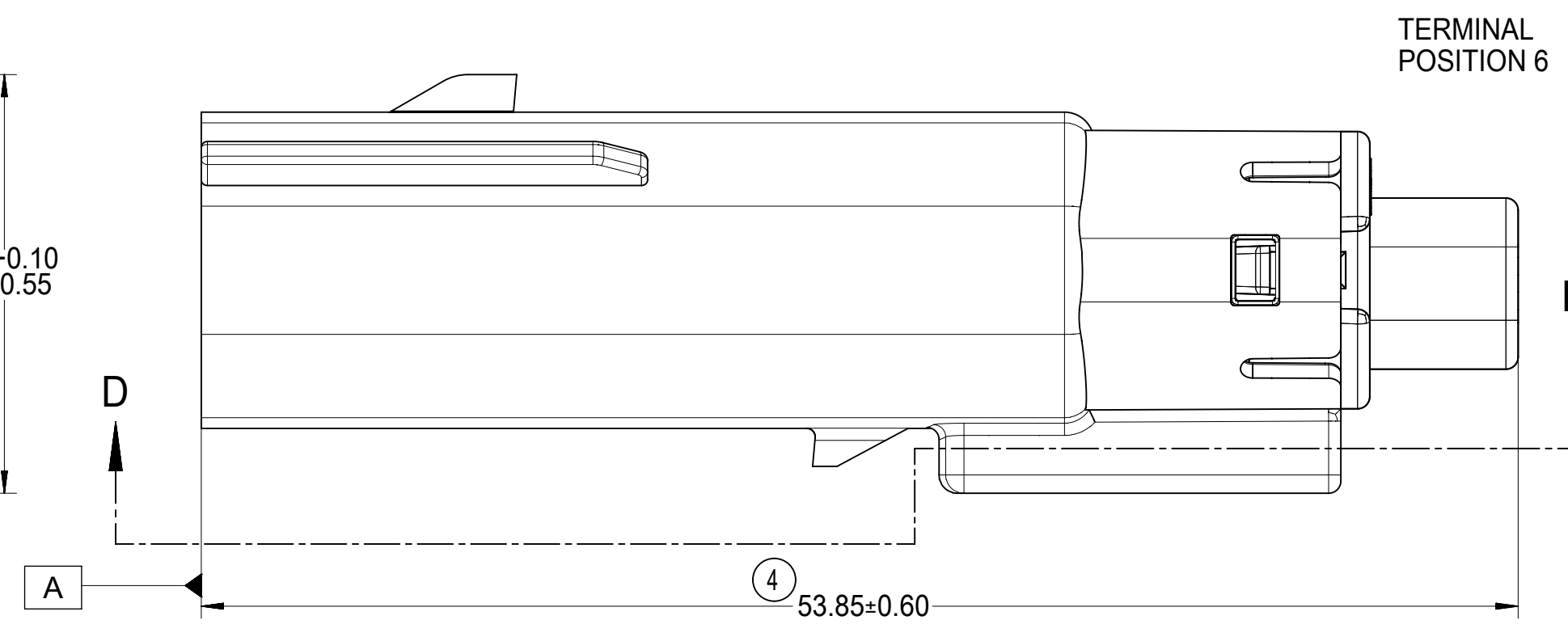
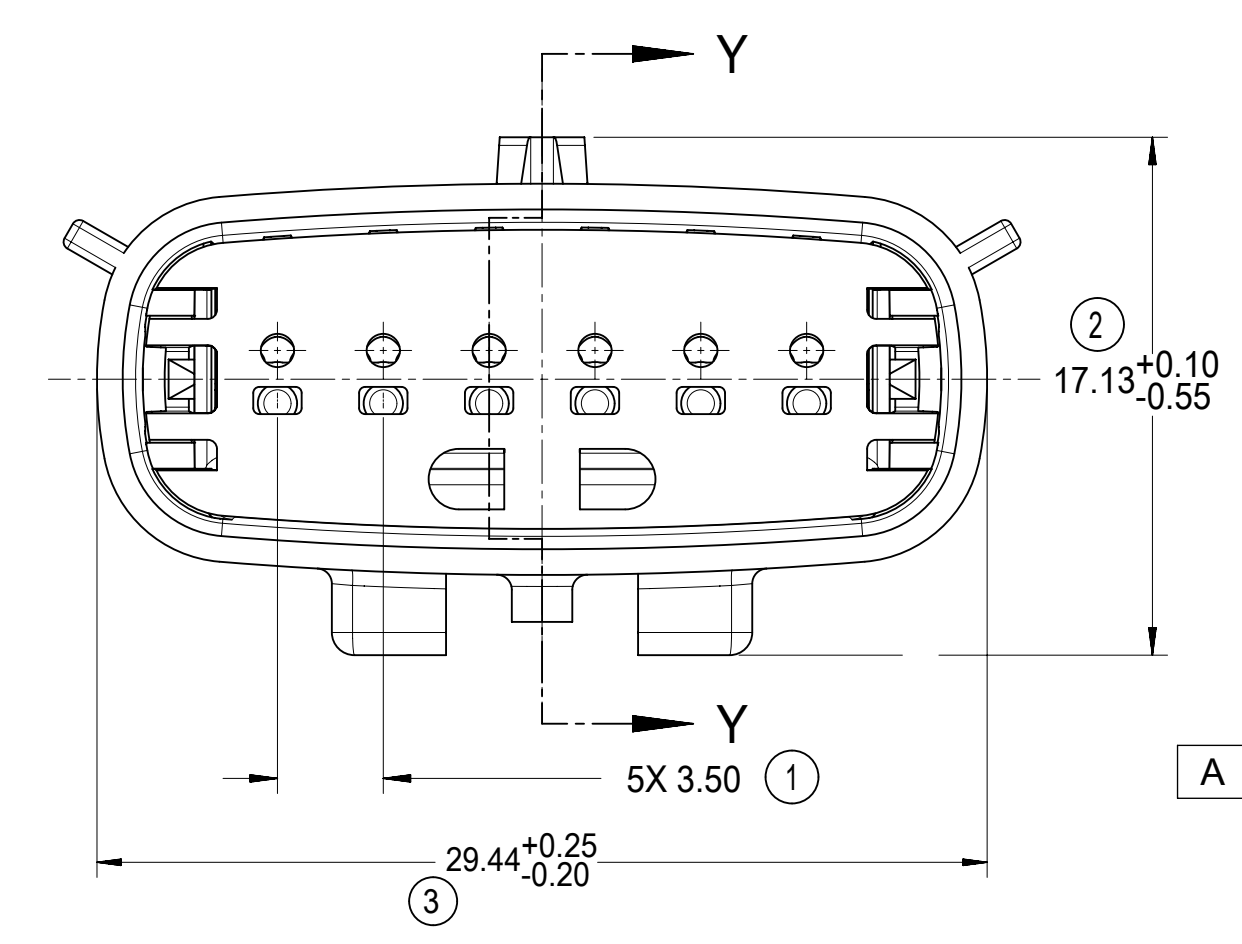
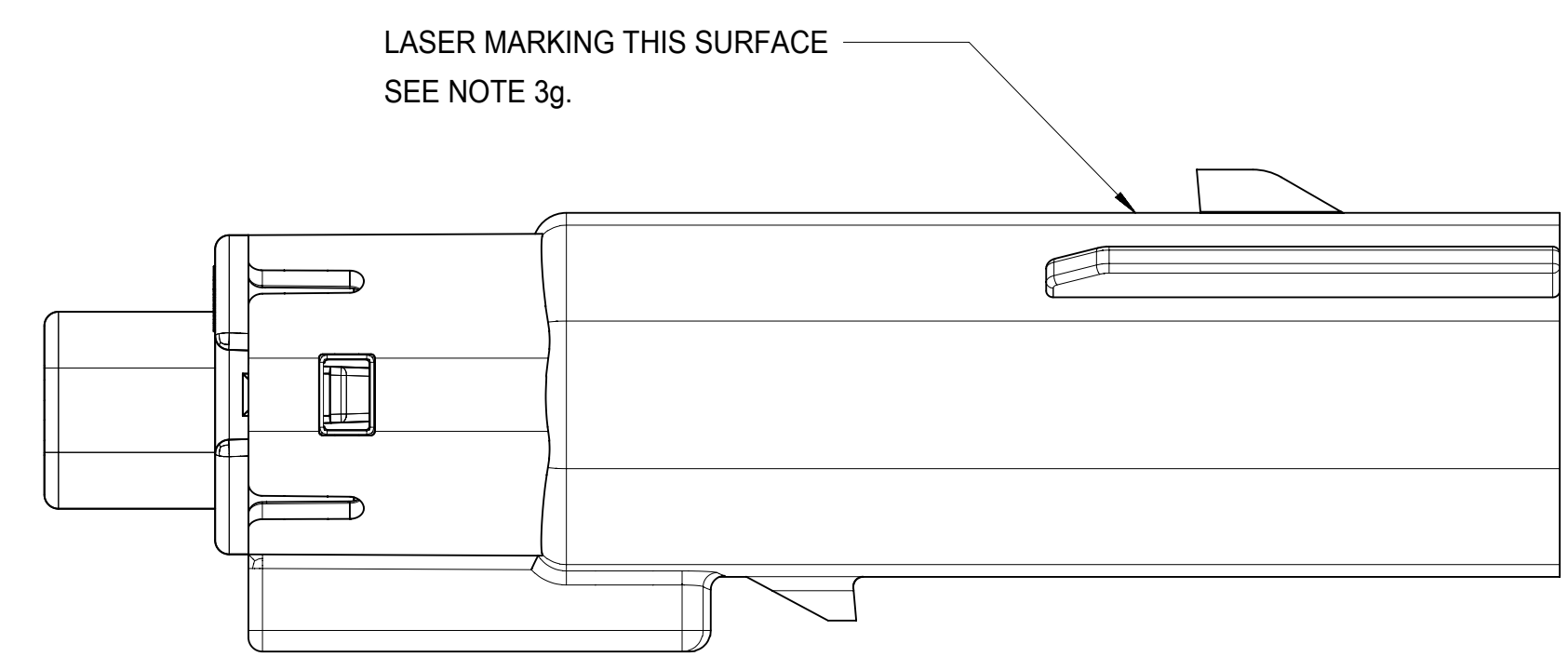
KEY C



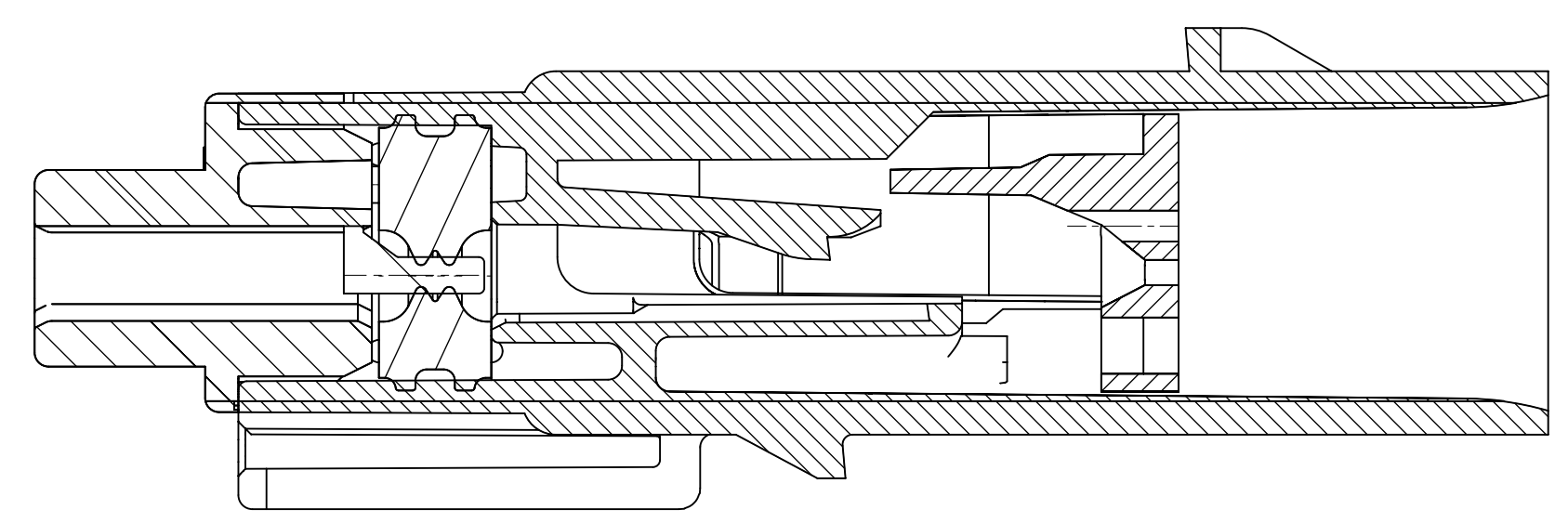
KEY D

THIS DRAWING CONTAINS INFORMATION THAT IS PROPRIETARY TO MOLEX ELECTRONIC TECHNOLOGIES, LLC AND SHOULD NOT BE USED WITHOUT WRITTEN PERMISSION									
DIMENSION UNITS		SCALE		CURRENT REV DESC: SEE REVISION TABLE					
mm		4:1		<p>molex</p> <p>MX150 1X6 BLADE SEALED ASSEMBLY MAT SEAL</p> <p>PRODUCT CUSTOMER DRAWING</p> <p>DOCUMENT NUMBER: SD-33481-061 DOC TYPE: PSD DOC PART: 001</p> <p>MATERIAL NUMBER: SEE BOM CUSTOMER: GENERAL MARKET SHEET: 2 OF 2</p>					
GENERAL TOLERANCES (UNLESS SPECIFIED)									
ANGULAR TOL ± 3.0°									
4 PLACES ±		EC NO: 654141							
3 PLACES ±		DRWN: SCV 2021/01/29							
2 PLACES ± 0.1		CHK'D: GGA 2021/02/03							
1 PLACE ± 0.3		APPR: GGA 2021/02/03							
0 PLACES ±		INITIAL REVISION:							
DRAFT WHERE APPLICABLE		DRWN: DGRIFITHS 2005/08/26							
MUST REMAIN WITHIN DIMENSIONS		APPR: smarceau 2005/08/29							
THIRD ANGLE PROJECTION		DRAWING		SERIES		MATERIAL NUMBER		CUSTOMER	
		D-SIZE		33481		SEE BOM		GENERAL MARKET	

BLADE SEALED ASSEMBLY

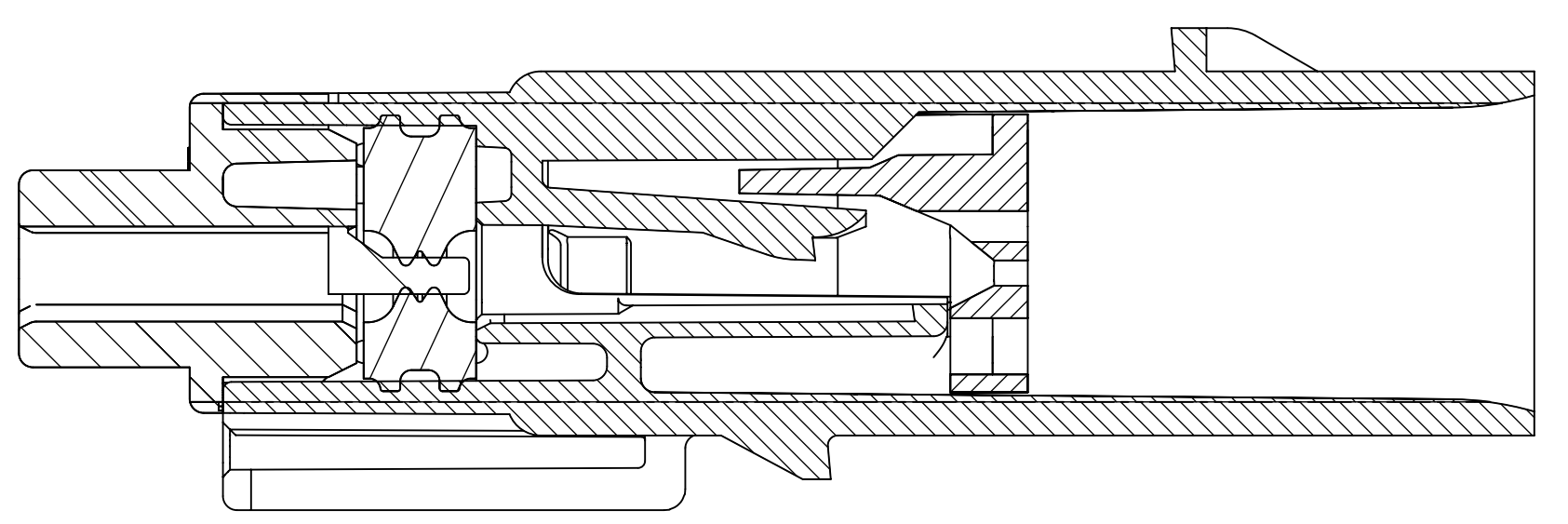


SECTION D-D



PRIMARY LOCK REINFORCEMENT (PLR) SHOWN
IN PRE-STAGED POSITION

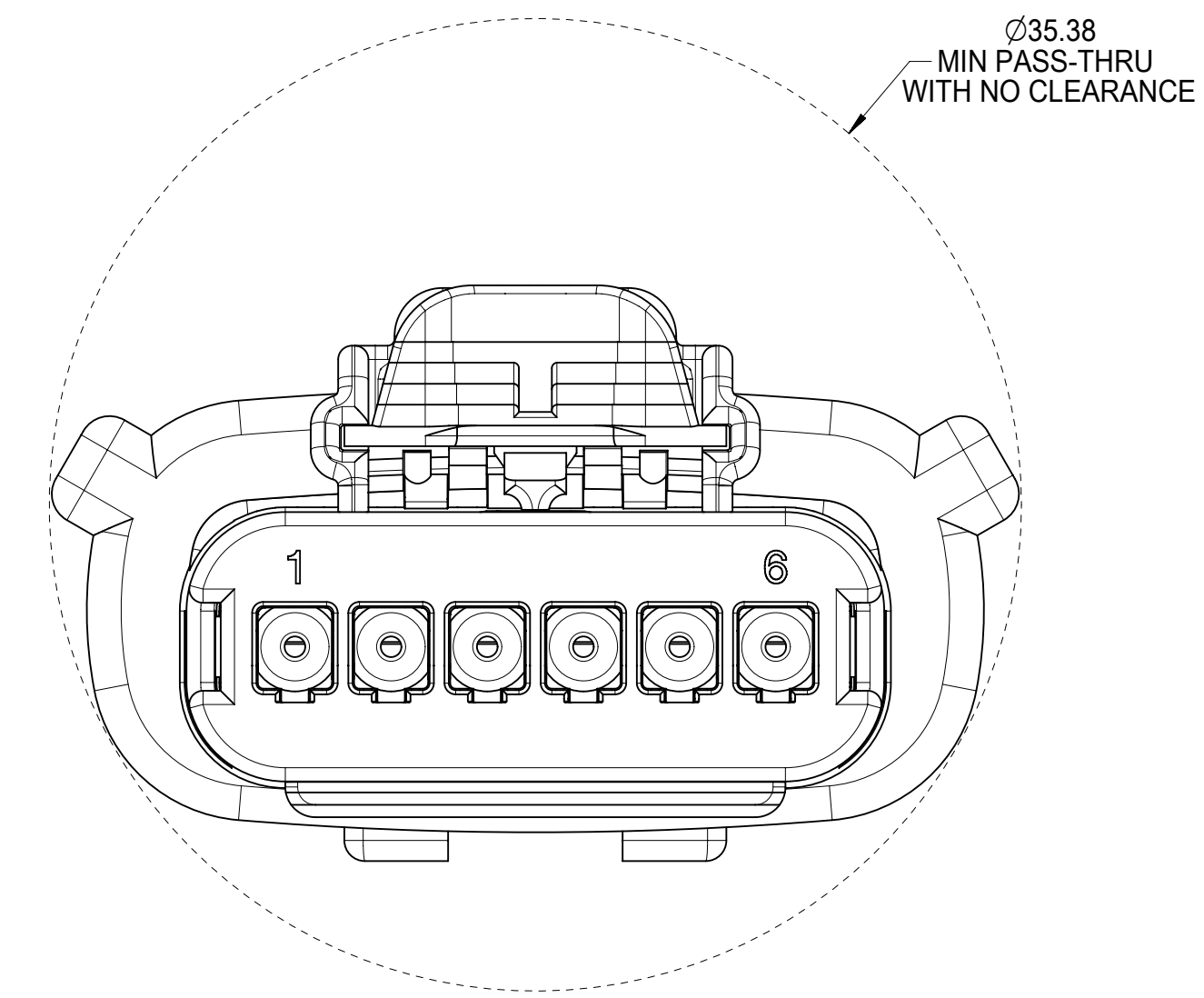
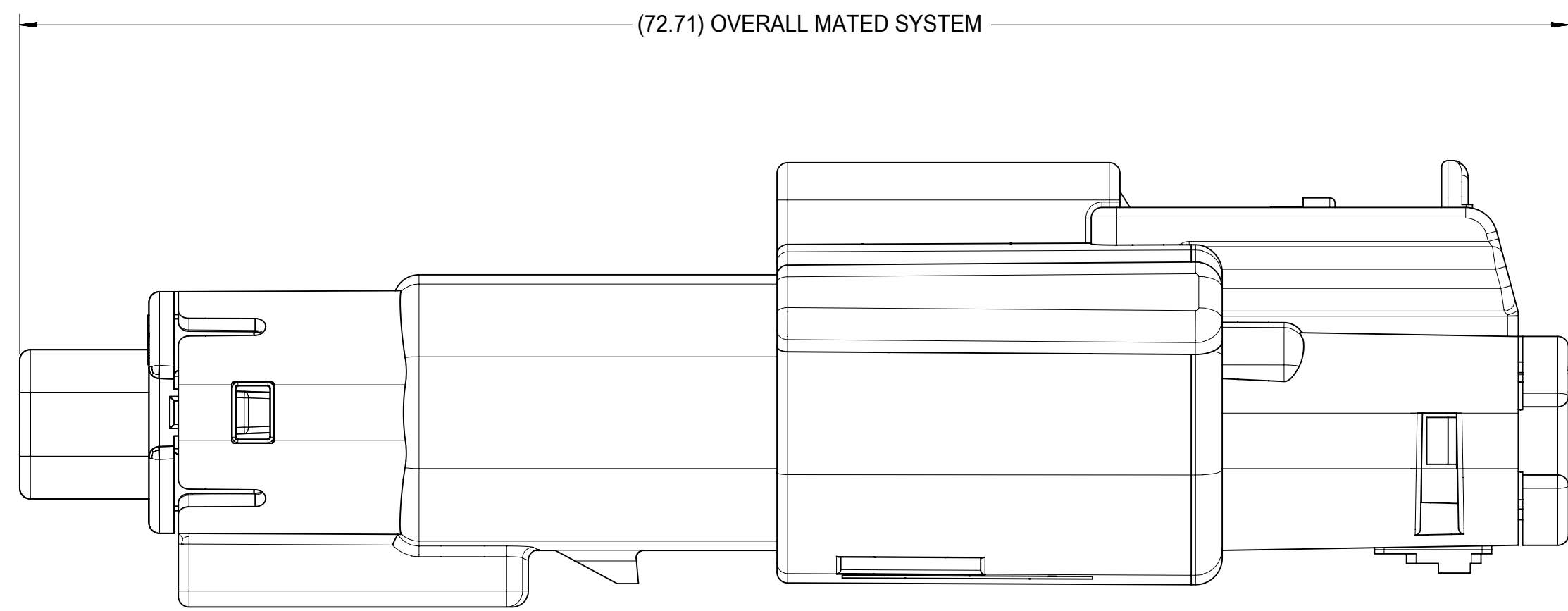
SECTION Z-Z



PRIMARY LOCK REINFORCEMENT (PLR) SHOWN
IN FINAL-LOCK POSITION

SECTION Y-Y

THIS DRAWING CONTAINS INFORMATION THAT IS PROPRIETARY TO MOLEX ELECTRONIC TECHNOLOGIES, LLC AND SHOULD NOT BE USED WITHOUT WRITTEN PERMISSION.		CURRENT REV DESC: SEE REVISION TABLE			
DIMENSION UNITS	SCALE	EC NO: 654141			
mm	4:1	DRWN: SCV		2021/01/29	
GENERAL TOLERANCES (UNLESS SPECIFIED)		CHK'D: GGA		2021/02/03	
ANGULAR TOL ± 3.0°		APPR: GGA		2021/02/03	
4 PLACES ±		INITIAL REVISION:		2005/08/26	
3 PLACES ±		DRWN: DGRIFITHS		2005/08/29	
2 PLACES ± 0.1		APPR: smarceau			
1 PLACE ± 0.3		DRAFT WHERE APPLICABLE MUST REMAIN WITHIN DIMENSIONS		THIRD ANGLE PROJECTION	
0 PLACES ±		DRAWING		SERIES	
		D-SIZE		33481	
DOCUMENT NUMBER		CUSTOMER		SHEET	
SD-33481-061		GENERAL MARKET		3	


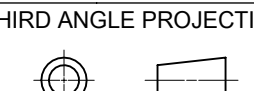


THIS DRAWING CONTAINS INFORMATION THAT IS PROPRIETARY TO MOLEX ELECTRONIC TECHNOLOGIES, LLC AND SHOULD NOT BE USED WITHOUT WRITTEN PERMISSION											
DIMENSION UNITS		SCALE		CURRENT REV DESC: SEE REVISION TABLE							
mm		4:1									
GENERAL TOLERANCES (UNLESS SPECIFIED)				EC NO: 654141						DOCUMENT NUMBER	
ANGULAR TOL ± 3.0°				DRWN: SCV 2021/01/29						DOC TYPE DOC PART	
4 PLACES ±				CHK'D: GGA 2021/02/03						PSD 001	
3 PLACES ±				APPR: GGA 2021/02/03						PRODUCT CUSTOMER DRAWING	
2 PLACES ± 0.1				INITIAL REVISION:						MATERIAL NUMBER	
1 PLACE ± 0.3				DRWN: DGRIFITHS 2005/08/26						SD-33481-061	
0 PLACES ±				APPR: smarceau 2005/08/29						CUSTOMER	
DRAFT WHERE APPLICABLE MUST REMAIN WITHIN DIMENSIONS				THIRD ANGLE PROJECTION		DRAWING		SERIES		SHEET	
						D-SIZE		33481		4	
DOCUMENT STATUS		P1		RELEASE DATE		2021/02/03 08:29:05		SEE BOM		GENERAL MARKET	

ASSEMBLY PART NUMBER	COLOR	KEYING OPTION	CAVITY TYPE & STATUS (X = PLUGGED)						STATUS	COMMENTS
			1	2	3	4	5	6		
33481-0601	BLACK	A							NOT RECOMMENDED	
33481-0602	LT.GRAY	B							NOT RECOMMENDED	
33481-0603	BROWN	C							NOT RECOMMENDED	NOT RECOMMENDED, SEE P/N 33481-0618
33481-0604	GREEN	D							NOT RECOMMENDED	NOT RECOMMENDED, SEE P/N 33481-0619
33481-0605	YELLOW	A							NOT RECOMMENDED	
33481-0606	BLACK	A						X	NOT RECOMMENDED	
33481-0607	LT.GRAY	B						X	NOT RECOMMENDED	
33481-0608	BROWN	C						X	NOT RECOMMENDED	
33481-0609	GREEN	D						X	NOT RECOMMENDED	
33481-0610	YELLOW	A						X	NOT RECOMMENDED	
33481-0611	BLACK	A	X					X	NOT RECOMMENDED	
33481-0612	LT.GRAY	B	X					X	NOT RECOMMENDED	
33481-0613	BROWN	C	X					X	NOT RECOMMENDED	
33481-0614	GREEN	D	X					X	NOT RECOMMENDED	
33481-0615	YELLOW	A	X					X	NOT RECOMMENDED	
33481-0616	BLACK	A	X	X	X	X	X	X	NOT RECOMMENDED	
33481-0617	BLACK	A						X	NOT RECOMMENDED	
33481-0618	DK.GRAY	C							NOT RECOMMENDED	
33481-0619	ST.GRAY	D							NOT RECOMMENDED	
33481-0620	BLACK	A			X				NOT RECOMMENDED	
33481-0621	ST.GRAY	D	X	X	X	X	X	X	NOT RECOMMENDED	
33481-0622	ST.GRAY	D	X					X	NOT RECOMMENDED	
33481-0623	BLACK	A	X		X			X	NOT RECOMMENDED	
33481-0624	BLACK	A						X	NOT RECOMMENDED	

ASSEMBLY PART NUMBER	COLOR	KEYING OPTION	CAVITY TYPE & STATUS (X = PLUGGED)						STATUS	COMMENTS
			1	2	3	4	5	6		
33481-6601	BLACK	A							SALEABLE	
33481-6602	LT.GRAY	B							SALEABLE	
33481-6603	BROWN	C							NOT RECOMMENDED	NOT RECOMMENDED, SEE P/N 33481-6618
33481-6604	GREEN	D							NOT RECOMMENDED	NOT RECOMMENDED, SEE P/N 33481-6619
33481-6605	YELLOW	A							SALEABLE	
33481-6606	BLACK	A						X	SALEABLE	
33481-6607	LT.GRAY	B						X	SALEABLE	
33481-6608	BROWN	C						X	NOT RECOMMENDED	
33481-6609	GREEN	D						X	NOT RECOMMENDED	
33481-6610	YELLOW	A						X	SALEABLE	
33481-6611	BLACK	A	X					X	SALEABLE	
33481-6612	LT.GRAY	B	X					X	SALEABLE	
33481-6613	BROWN	C	X					X	NOT RECOMMENDED	
33481-6614	GREEN	D	X					X	NOT RECOMMENDED	
33481-6615	YELLOW	A	X					X	SALEABLE	
33481-6616	BLACK	A	X	X	X	X	X	X	SALEABLE	
33481-6617	BLACK	A						X	SALEABLE	
33481-6618	DK.GRAY	C							SALEABLE	
33481-6619	ST.GRAY	D							SALEABLE	
33481-6620	BLACK	A			X				SALEABLE	
33481-6621	ST.GRAY	D	X	X	X	X	X	X	SALEABLE	
33481-6622	ST.GRAY	D	X					X	SALEABLE	
33481-6623	BLACK	A	X		X			X	SALEABLE	
33481-6624	BLACK	A						X	SALEABLE	
33481-6625	BLACK	A		X	X	X	X		SALEABLE	
33481-6626	BLACK	A				X	X		SALEABLE	

V6
V6

THIS DRAWING CONTAINS INFORMATION THAT IS PROPRIETARY TO MOLEX ELECTRONIC TECHNOLOGIES, LLC AND SHOULD NOT BE USED WITHOUT WRITTEN PERMISSION									
DIMENSION UNITS	SCALE	CURRENT REV DESC: SEE REVISION TABLE							
mm	1:1	 MX150 1X6 BLADE SEALED ASSEMBLY MAT SEAL PRODUCT CUSTOMER DRAWING							
GENERAL TOLERANCES (UNLESS SPECIFIED)									
ANGULAR TOL	± 3.0°								
4 PLACES	±								
3 PLACES	±								
2 PLACES	± 0.1	EC NO: 654141	2021/01/29						
1 PLACE	± 0.3	DRWN: SCV	2021/02/03						
0 PLACES	±	CHK'D: GGA	2021/02/03						
DRAFT WHERE APPLICABLE MUST REMAIN WITHIN DIMENSIONS		THIRD ANGLE PROJECTION	DRAWING	SERIES	MATERIAL NUMBER	CUSTOMER	SHEET		
			D-SIZE	33481	SEE BOM	GENERAL MARKET	5		

X-ON Electronics

Largest Supplier of Electrical and Electronic Components

Click to view similar products for [Automotive Connectors](#) category:

Click to view products by [Molex](#) manufacturer:

Other Similar products are found below :

[003-018-000](#) [00595100](#) [01.001.5453.0](#) [01.001.5653.0](#) [01.001.6553.0](#) [0100703](#) [01605396](#) [01839906-L](#) [01864022-L](#) [01969007](#) [02\(4-23\)T-JWPF-VKLE-S](#) [025-9000-000](#) [025-9000-001](#) [02962447-CT](#) [02962448](#) [02962508](#) [02962508-CT](#) [02962508-L](#) [02962510](#) [02962510-B](#) [02962543](#) [02962572](#) [02962572-CT](#) [02962572-L](#) [02962683](#) [02962793](#) [02962793-B](#) [02962953](#) [02962953-L](#) [02962958-CT](#) [02962965](#) [02962967](#) [02962969](#) [02962976-L](#) [02962985](#) [02965019-B](#) [02965141-L](#) [02965142](#) [02965142-CT](#) [02965142-MR](#) [02965143-CT](#) [02965164](#) [02965164-B](#) [02965199](#) [02965199-CT](#) [02965199-L](#) [02965400](#) [02965400-L](#) [02965401](#) [02965439](#)