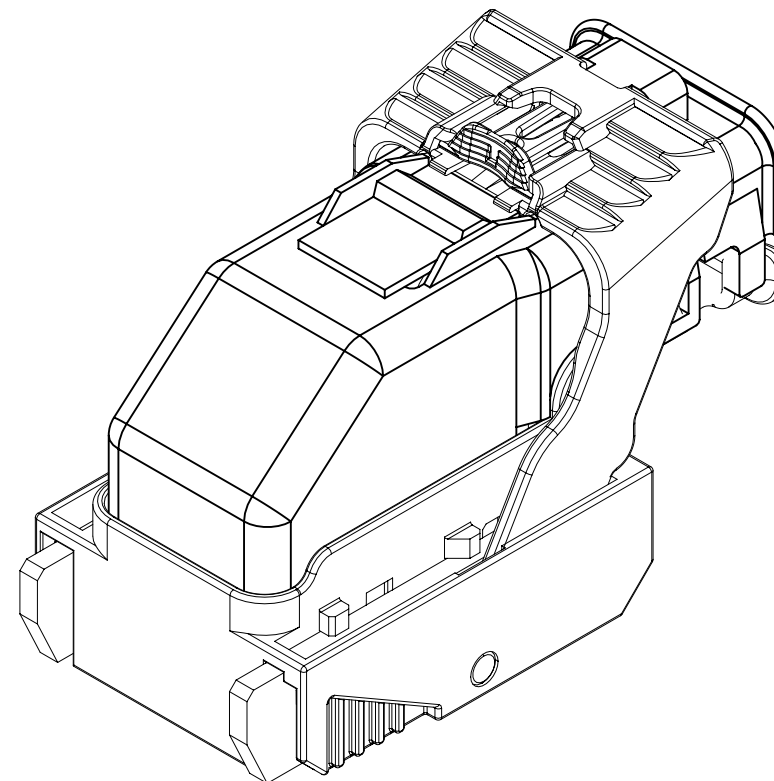

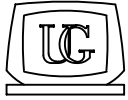


INDEX	
PAGE TITLE	PAGE
TITLE BLOCK	1
REVISION BLOCK	2
PART BLOCK	3
KPC BLOCK	4
COMPONENT TABLE	5
NOTES	6
NOTES	7
WIRE DRESS PACKAGING DIMENSIONS	8
LOCATION AND PACKAGING DIMENSIONS REFERENCING INTERFACE DATUMS B & C	9
LOCATION AND PACKAGING DIMENSIONS REFERENCING INTERFACE DATUM A	10
KEY ID REF - WIRE DRESS OPTION 0	11
KEY ID REF - WIRE DRESS OPTION 9	12
CIRCUIT CONFIGURATIONS	13
CIRCUIT CONFIGURATIONS	14
COMPONENT CONNECTOR INTERFACE	15
COMPONENT CONNECTOR INTERFACE	16
COMPONENT CONNECTOR INTERFACE	17
COMPONENT CONNECTOR INTERFACE	18
COMPONENT CONNECTOR INTERFACE	19
COMPONENT CONNECTOR INTERFACE	20
COMPONENT CONNECTOR INTERFACE	21
COMPONENT CONNECTOR INTERFACE	22




ISO VIEW

	THIS DOCUMENT IS IN ACCORDANCE WITH ASME Y14.5M-1994 AS AMENDED BY THE GM GLOBAL DIMENSIONING AND TOLERANCING ADDENDUM - 2004.			DATE
	 CHANGE RESTRICTED NO MANUAL CHANGES	REFERENCE 12H (MOLEX AUTOMOTIVE)	DRAFTER D. KOEHLER APVD1 M.R. OOSTERINK APVD2 J. SWARTZ APVD3 G. FLECK APVD4 APVD5	28AP15 29AP15 29AP15 08MY15
DO NOT SCALE		DRAWING NAME		
METRIC DIMENSIONS SHOWN IN MILLIMETERS UNLESS OTHERWISE SPECIFIED		HARNESS CONN ASM-SEALED 18/49/56 CKTS, MX123		
DRAWING NUMBER		DWG STATUS		PAGE NUMBER
12642694		ST	REV	PDI
		R	001	
				1 of 22

PAGE	DWG STATUS					REVISION HISTORY	AUTH	DR	CK	ENG
	DATE	ST	REV	CHG	PDI					

PAGE	DWG STATUS					REVISION HISTORY	AUTH	DR	CK	ENG
	DATE	ST	REV	CHG	PDI					
	08MY15	R	001			RELEASED TO PRODUCTION AT DLS A	CRMRJD	DFK	MRO	GF

	PAGE TITLE	DRAWING NUMBER	DWG STATUS			PAGE NUMBER	
	REVISION BLOCK		12642694	ST	REV		PDI
				R	001		



KEY PRODUCT CHARACTERISTICS  
(IN ACCORDANCE WITH QN 1805 OR ON 1050)



SAFETY/COMPLIANCE

TOTAL ON  
DRAWING

5



FIT/FUNCTION

LAST NO.  
USED

5

NO	TYPE	DESCRIPTION	RATIONALE	PAGE/ZONE
1	F/F	32.68	IMPROVE CONNECTOR SYSTEM MATING	16
2	F/F	29.00	INSURE PROPER RELEASE OF LEVER	16
3	F/F	15.25	INSURE FINAL MATE POSITION	17
5	F/F	POSITIONAL TOLERANCE (2 PLACES)	INSURE CONNECTOR SYSTEM MATIBILITY	20



PAGE TITLE  
KPC BLOCK

DRAWING NUMBER

12642694

DWG STATUS

ST	REV	PD1
----	-----	-----

R	001	
---	-----	--

PAGE NUMBER

4 OF 22

P. No	APPLICABLE COMPONENTS				Key Option	Wire Dress Option	Key Config.	Color	Status	
	MFG.	MFG. P/N	GM P/N	Effective Date						DESCRIPTION
1	Molex	34575-0003	12582679	02JN03	WIRE HARNESS COVER	N/A	NA	N/A	BLACK	AVAILABLE
2	Molex	34576-0103	12666118	31JL15	HARN CONN ASM 49 CKT	A	0	1458	BLACK	ACTIVE
3	Molex	34576-0203	12650786	T.B.D.	HARN CONN ASM 49 CKT	B	0	1468	ST GRAY	NOT ACTIVE
4	Molex	34576-0303	12666120	31JL15	HARN CONN ASM 49 CKT	C	0	2467	BLUE	ACTIVE
5	Molex	34576-0403	12615660	T.B.D.	HARN CONN ASM 49 CKT	D	0	2367	BROWN	NOT ACTIVE
6	Molex	34576-0503	12615661	T.B.D.	HARN CONN ASM 49 CKT	E	0	2468	GREEN	NOT ACTIVE
7	Molex	34576-0603	12615662	T.B.D.	HARN CONN ASM 49 CKT	F	0	1357	NATURAL	NOT ACTIVE
8	Molex	34576-0703	12582680	11JN04	HARN CONN ASM 56 CKT	G	0	1358	BLUE	AVAILABLE
9	Molex	34576-0803	12582681	11JN04	HARN CONN ASM 56 CKT	H	0	2458	ST GRAY	AVAILABLE
10	Molex	34576-0903	12615658	T.B.D.	HARN CONN ASM 56 CKT	J	0	2457	BLACK	NOT ACTIVE
11	Molex	34576-1003	AVA77166	T.B.D.	HARN CONN ASM 56 CKT	K	0	2357	BROWN	NOT ACTIVE
12	Molex	34576-1103	AVA77167	T.B.D.	HARN CONN ASM 56 CKT	L	0	2368	GREEN	NOT ACTIVE
13	Molex	34576-1203	AVA77168	T.B.D.	HARN CONN ASM 56 CKT	M	0	2358	NATURAL	NOT ACTIVE
14	Molex	34576-1303	12666119	31JL15	HARN CONN ASM 49 CKT	A	9	1458	BLACK	ACTIVE
15	Molex	34576-1403	12650787	T.B.D.	HARN CONN ASM 49 CKT	B	9	1468	ST GRAY	NOT ACTIVE
16	Molex	34576-1503	12666121	31JL15	HARN CONN ASM 49 CKT	C	9	2467	BLUE	ACTIVE
17	Molex	34576-1603	12615663	T.B.D.	HARN CONN ASM 49 CKT	D	9	2367	BROWN	NOT ACTIVE
18	Molex	34576-1703	12615664	T.B.D.	HARN CONN ASM 49 CKT	E	9	2468	GREEN	NOT ACTIVE
19	Molex	34576-1803	12615665	T.B.D.	HARN CONN ASM 49 CKT	F	9	1357	NATURAL	NOT ACTIVE
20	Molex	34576-1903	12603600	11JN04	HARN CONN ASM 56 CKT	G	9	1358	BLUE	AVAILABLE
21	Molex	34576-2003	12603601	T.B.D.	HARN CONN ASM 56 CKT	H	9	2458	ST GRAY	NOT ACTIVE
22	Molex	34576-2103	12615659	T.B.D.	HARN CONN ASM 56 CKT	J	9	2457	BLACK	NOT ACTIVE
23	Molex	34576-2203	AVA77192	T.B.D.	HARN CONN ASM 56 CKT	K	9	2357	BROWN	NOT ACTIVE
24	Molex	34576-2303	AVA77193	T.B.D.	HARN CONN ASM 56 CKT	L	9	2368	GREEN	NOT ACTIVE
25	Molex	34576-2403	AVA77143	T.B.D.	HARN CONN ASM 56 CKT	M	9	2358	NATURAL	NOT ACTIVE
26	Molex	34851-0007	12644156	31AU15	HARN CONN ASM 18 CKT	G	0	1358	BLUE	ACTIVE
27	Molex	34851-0008	12644158	31AU15	HARN CONN ASM 18 CKT	H	0	2458	ST GRAY	ACTIVE
28	Molex	34851-0019	12644157	31AU15	HARN CONN ASM 18 CKT	G	9	1358	BLUE	ACTIVE
29	Molex	34851-0020	12644159	31AU15	HARN CONN ASM 18 CKT	H	9	2458	ST GRAY	ACTIVE
30	Molex	34736-2002	12642697	01AU10	MX64 RCPT TERM Ag 18/20 GAGE B (RIGHT PAYOFF)	N/A	N/A	N/A	N/A	AVAILABLE
31	Molex	34736-2001	12642696	01AU10	MX64 RCPT TERM Ag 22 GAGE B (RIGHT PAYOFF)	N/A	N/A	N/A	N/A	AVAILABLE
32	Molex	34586-0001	T.B.D.	11JN04	MX123 0.64MM GROMMET PLUG	N/A	N/A	N/A	NATURAL	AVAILABLE
33	Yazaki	7116-4150-02	12588066	02JN03	2.8mm YESC SEALED FEMALE TERMINAL TIN 20/22 GAGE (CABLE RANGE 0.30mm-0.60mm)	N/A	N/A	N/A	N/A	NOT ACTIVE
34	Yazaki	7116-4151-02	12588067	02JN03	2.8mm YESC SEALED FEMALE TERMINAL TIN 16/18 GAGE (CABLE RANGE 0.75mm-1.40mm)	N/A	N/A	N/A	N/A	NOT ACTIVE
35	Yazaki	7116-4152-02	12582685	02JN03	2.8mm YESC SEALED FEMALE TERMINAL TIN 14 GAGE (CABLE RANGE 1.50mm-2.50mm)	N/A	N/A	N/A	N/A	AVAILABLE
36	Yazaki	7158-3111-60	12588068	02JN03	2.8mm CABLE SEAL (wire O.D. range 1.20mm-1.90mm)	N/A	N/A	N/A	GREEN	NOT ACTIVE
37	Yazaki	7158-3112-70	12588069	02JN03	2.8mm CABLE SEAL (wire O.D. range 1.80mm-2.30mm)	N/A	N/A	N/A	YELLOW	NOT ACTIVE
38	Yazaki	7158-3113-40	12582686	02JN03	2.8mm CABLE SEAL (wire O.D. range 2.18mm-3.00mm)	N/A	N/A	N/A	WHITE	AVAILABLE
39	Yazaki	7158-3114-90	T.B.D.	02JN03	2.8mm YESC CAVITY PLUG	N/A	N/A	N/A	BLUE	AVAILABLE
40	FCI	33140138	12646399	10JA14	6.35mm APEX RCPT TERM Sn/Ag GRIP CODE-10 (6mm2) - Greased	N/A	N/A	N/A	N/A	AVAILABLE
41	FCI	33140135	12654556	10JA14	6.35mm APEX RCPT TERM Sn/Ag GRIP CODE-TBD (1mm2) - Greased	N/A	N/A	N/A	N/A	AVAILABLE
42	QSR	A-0549C	12646688	01SE14	6.35mm CABLE SEAL (FOR 6.0mm2 WIRE SIZE - 3.6 TO 4.2mm INSULATION OD)	N/A	N/A	N/A	WHITE	AVAILABLE
43	QSR	A-0549B	12654557	01SE14	6.35mm CABLE SEAL (FOR 0.75-1.25mm2 WIRE SIZE - 1.8 TO 2.3mm INSULATION OD)	N/A	N/A	N/A	BLUE	AVAILABLE
44	Molex	63811-4200	XX019825	02JN03	MX64 TERM HAND CRIMP TOOL	N/A	N/A	N/A	N/A	AVAILABLE
45	Molex	63813-1400	XX019826	02JN03	MX64 TERM SERVICE TOOL	N/A	N/A	N/A	N/A	AVAILABLE
46	Molex	63865-8000	XX019827	02JN03	MX64 CRIMP APPLICATOR with TOOL KIT 18/20 GAGE PAYOFF DIRECTION D (left payoff) (contact Molex for payoff detail)	N/A	N/A	N/A	N/A	AVAILABLE
47	Molex	63865-8070	XX019828	02JN03	MX64 APPLICATOR TOOL KIT 18/20 GAGE	N/A	N/A	N/A	N/A	AVAILABLE
48	Molex	63865-8100	XX019829	02JN03	MX64 CRIMP APPLICATOR with TOOL KIT 22 GAGE PAYOFF DIRECTION D (left payoff) (contact Molex for payoff detail)	N/A	N/A	N/A	N/A	AVAILABLE
49	Molex	63865-8170	XX019830	02JN03	MX64 APPLICATOR TOOL KIT 22 GAGE	N/A	N/A	N/A	N/A	AVAILABLE
50	SPX	J35616-64	T.B.D.	02JN03	0.64mm PROBE TOOL (for rcpt)	N/A	N/A	N/A	N/A	AVAILABLE
51	SPX	J35616-64A	T.B.D.	02JN03	0.64mm PROBE TOOL WITH EXT (for rcpt)	N/A	N/A	N/A	N/A	AVAILABLE
52	SPX	J35616-65	T.B.D.	02JN03	0.64mm PROBE TOOL WITH EXT (for pin)	N/A	N/A	N/A	N/A	AVAILABLE
53	SPX	J35616-4A	T.B.D.	02JN03	2.8mm PROBE TOOL (for rcpt)	N/A	N/A	N/A	N/A	AVAILABLE
54	YAZAKI	X39899-J374	12094430	02JN03	2.8mm TERM SERVICE TOOL	N/A	N/A	N/A	N/A	AVAILABLE
55	TQ1	7000-1001	N/A	01FE15	18CKT PASS THROUGH ADAPTERS	N/A	N/A	N/A	BLACK	AVAILABLE
56	TQ1	7000-1004	N/A	01FE15	49CKT PASS THROUGH ADAPTERS	N/A	N/A	N/A	BLACK	AVAILABLE
57	TQ1	79917-0060	N/A	02JA08	56CKT PASS THROUGH ADAPTERS	N/A	N/A	N/A	BLACK	AVAILABLE
58	Molex	63813-1500	J-38125-217	01SE14	6.35mm APEX TERM SERVICE TOOL	N/A	N/A	N/A	N/A	AVAILABLE

\* MX123 WIRE HARNESS COVER MATES TO ANY 18/49/56 CKT MX123 HARN CONN ASSY SHOWN ON THIS TABLE



PAGE TITLE  
COMPONENT TABLE

DRAWING NUMBER  
12642694

DWG STATUS			PAGE NUMBER
ST	REV	PD1	
R	001		5 of 22

NOTES: UNLESS OTHERWISE SPECIFIED

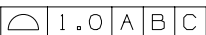
1. MATERIAL FOR INTERFACE:

- A. RESIN:
  - 1. 30% G.F. PBT; 20% MAX. (BY WEIGHT) REGRIND.
  - 2. MATING CONNECTOR INTERFACE PART COLOR MUST BE SAME AS MATCHING KEYED HARNESS CONNECTOR ASSEMBLY.
  - 3. MUST BE VALIDATED FOR INDIVIDUAL DEVICE APPLICATION REQUIREMENTS.
- B. 0.64MM PINS:
  - 1. BASE MATERIAL: COPPER ALLOY; CONDUCTIVITY >= 28% IACS AT 20°C; TENSILE STRENGTH >= 635 N/mm<sup>2</sup>; SURFACE ROUGHNESS R<sub>a</sub> 6 MAX.
  - 2. PLATING FINISH: SILVER (Ag). PLATING TO BE 1.9-3.3 μm ELECTRODEPOSITED SEMI-BRIGHT SILVER OVER 1.25-2.25 μm DUCTILE SULPHAMATE NICKEL PER NOTE 1(D).
  - 3. ANTI-TARNISH: SYNTHETIC HYDROCARBON CONTACT SURFACE FINISH OR EQUIVALENT APPLIED WITHOUT VOID TO CONTACT AREA (MIN 3.7mm FROM PIN TIP).
- C. 2.8MM BLADE:
  - 1. BASE MATERIAL: COPPER ALLOY; CONDUCTIVITY >= 28% IACS AT 20°C; TENSILE STRENGTH >= 350 N/mm<sup>2</sup>; SURFACE ROUGHNESS R<sub>a</sub> 6 MAX.
  - 2. PLATING FINISH: TIN. PLATING TO BE 2.5-5.0 μm ELECTRODEPOSITED TIN, MATTE FINISH OVER 1.25-2.5μm DUCTILE SULPHAMATE NICKEL PER NOTE 1(D).
- D. 6.3MM BLADE:
  - 1. BASE MATERIAL: COPPER ALLOY; CONDUCTIVITY >= 50% IACS AT 20°C;
  - 2. PLATING FINISH: SILVER (Ag) PLATING TO BE 1.9-3.3 μm ELECTRODEPOSITED SEMI-BRIGHT SILVER, OVER 1.25-2.5μm DUCTILE SULPHAMATE NICKEL PER NOTE 1(D) WITH ENVIRONMENTAL BARRIER OR TIN/SILVER (ELECTRO-DEPOSITED), UNDERPLATE 0.5-2.0 μm NICKEL OR COPPER. TOP PLATING: 1.0-3.0 μm (SILVER RANGE 3.75-X.XX NO ANTI-TARNISH COATING REQUIRED).

E. PLATING REQUIREMENTS:


- 1. SILVER PLATING
  - a. 99.5% PURE SEMI-BRIGHT WITH NO ORGANIC BRIGHTNERS OR CHROMATES.
- 2. NICKEL PLATING
  - a. ELECTRODEPOSITED DUCTILE SULFAMATE NICKEL WITH A NON-BRIGHTENED FINISH. NO ORGANIC OR BRIGHTENING AGENTS SHALL BE ALLOWED.
  - b. SHALL ONLY BE USED AS AN UNDERLYING PLATING AND MAY NOT BE USED AS AN ELECTRICAL CONTACT SURFACE PLATING.
  - c. SHALL BE NODULE FREE WHEN VIEWED AT 10X MAGNIFICATION IN MEASURED IN CONTACT SURFACE AREA PLUS 0.5MM PERIMETER AROUND THE CONTACT SURFACE AREA.
  - d. ALL PLATINGS SHALL HAVE A 1.0% MAXIMUM BY WEIGHT IMPURITIES. IMPURITIES ARE DEFINED AS ALL ELEMENTS NOT THE PRIMARY PLATING OR HARDENING AGENT IF APPLICABLE, AS DETERMINED BY WET CHEMICAL ANALYSIS OR AUGER METHOD. NO SINGLE IMPURITY SHALL EXCEED 0.1% MAXIMUM BY WEIGHT.
- 3. TESTING
  - a. THICKNESS TO BE MEASURED IN CONTACT SURFACE AREA PLUS 0.5MM PERIMETER AROUND THE CONTACT SURFACE AREA AS DESIGNATED IN THE DRAWING. THICKNESS SHALL BE DETERMINED BY METHOD OF X-RAY (XRF).
  - b. PLATING ADHESION SHALL BE TESTED BY A BEND TEST FOR ALL METALS. THE TEST SAMPLE SHALL BE BENT 90 DEGREES TO DETERMINE DEPOSIT ADHESION. TESTING SHALL BE COMPLETED IN ACCORDANCE WITH ASTM SPEC B571.

2. DESIGN - GENERAL:

- A. THIS IS A 100% CAD GENERATED PART. THE CAD MATHEMATICAL DATA IS THE MASTER FOR THIS PART. WHERE DIMENSIONS ARE SPECIFIED ON THE DRAWING, THE DRAWING IS THE AUTHORITY FOR DIMENSIONAL VALUES. FOR DIMENSIONAL OR ANY INFORMATION NOT SHOWN ON THIS DRAWING, ANALYZE THE CAD MODEL.
- B. DIMENSIONS OBTAINED FROM THE DIGITAL MODEL ARE BASIC:
  - 1. FOR RELATIONSHIPS BETWEEN FEATURES WHEN ESTABLISHED BY GEOMETRIC TOLERANCES.
  - 2. FOR THE FORM OF A FEATURE WHEN CONTROLLED BY A PROFILE TOLERANCE.
  - 3. FOR THE SIZE, FORM AND/OR RELATIONSHIP BETWEEN FIXED DATUM TARGETS.
- C. DIMENSIONS OBTAINED FROM THE DIGITAL MODEL ARE ROUNDED TO TWO DECIMAL PLACES (PER IEEE/ASTM SI 10-2002)
- D. VIEWS AND SECTIONS ON THIS DRAWING ARE IN ACCORDANCE WITH GM DCS SECTION C3.
- E. THE DIGITAL MODEL MUST CORRESPOND TO THE RELEASE LEVEL SHOWN IN THE PART BLOCK ON THIS DOCUMENT.
- F. TOLERANCES:
  - 1. LINEAR
    - 0.X ± 0.30
    - 0.XX ± 0.10
    - 0.XXX ± 0.10
  - 2. ANGULAR X° ± 3°
  - 3.  1.0 A B C
- G. MINIMUM WALL THICKNESS REQUIRED: 1.3mm.
- H. CORNERS SHOWN AS SHARP TO BE R 0.2 MAX.
- J. LETTERING SHALL BE 0.15 MAX RAISED IN 0.20 MAX RECESS PAD. THIS INCLUDES MATERIAL CODE, RECYCLING CODE, CAVITY ID AND DATE CODE.
- K-1. PARTS MUST BE FREE OF DISCOLORATION, SALT RESIDUE AND OTHER IMPERFECTIONS THAT AFFECT FIT OR FUNCTION.
- K-2. SCRATCHES OR DENTS NOT TO EXCEED 0.013mm IN DEPTH.
- L. FOLLOWING PRODUCTION CODES TO BE PERMANENTLY MARKED & HUMAN READABLE TO A LETTER HEIGHT OF 1.5 ± 0.5MM X 0.3 MAX DEEP
  - 1. MATERIAL #: XXXXX-XXXX
  - 2. DATE CODE: JJJY (JULIAN DAY, LAST DIGIT OF YEAR)
  - 3. INSPECTION MACHINE CODE + SERIAL #: X\_XXXXX

3. DESIGN - MANUFACTURING:

- A. DRAFT TO BE WITHIN TOLERANCE.
- B. ALLOWABLE FLASH MAX 0.2 HIGH X MAX 0.13 THICK.
- C. ALLOWABLE PARTING LINE MISMATCH 0.2 MAX.
- D. EJECTOR PINS MARK TO BE FLUSH TO 0.25 MAX DEPRESSED.
- E. ALLOWABLE GATE VESTIGE FLUSH TO 0.25 MAX PROTRUSION.
- F. NO EXTERNAL MOLD RELEASE AGENT ALLOWED DURING MANUFACTURING.
- G. STEEL THAT FORMS THE INDICATED SURFACE MUST BE POLISHED WITH A DIAMOND FINISH (SPI A-2) OVER THE FULL PERIPHERY OF THE TOOL. SURFACE MUST HAVE NO MISMATCH.
- H. ANY PROCESS LUBRICANT REMAINING ON THE TERMINAL MUST NOT VARNISH OR DEGRADE IT'S ELECTRICAL PERFORMANCE UP TO A MAXIMUM CLASS AMBIENT TEMPERATURE PER SAE USCAR-2 FOR 1008 HOURS. PROCESS LUBRICANTS SHOULD BE APPROVED BY THE RESPONSIBLE ENGINEER.
- J. OPTIONAL FEATURES PROVIDED FOR AUTOMATION.
- K. PART MUST BE FREE FROM BURRS AND SHARP EDGES, WHICH MIGHT BE DETRIMENTAL TO SATISFACTORY ASSEMBLY, SAFE HANDLING OR FUNCTION OF PART.
- L. PARTS AS DELIVERED TO ASSEMBLY SHALL BE CLEAN AND FREE OF DEBRIS, RESIDUAL ABRASIVE MATERIAL AND CORROSION PRODUCTS ADVERESLY AFFECTING FUNCTION OR APPEARANCE.
- M. RESTRICTED AND REPORTABLE SUBSTANCES FOR PARTS PER GMW3059.

	PAGE TITLE	DRAWING NUMBER	DWG STATUS			PAGE NUMBER
	NOTES		12642694			
			ST	REV	PDI	

NOTES: UNLESS OTHERWISE SPECIFIED

4. SYSTEM REQUIREMENTS:

- A. HARNESS CONNECTOR IS COMPATIBLE WITH THE FOLLOWING WIRE SIZE NO'S:  
 SAE 14AWG, MEETING SAE J1128  
 SAE 18AWG, MEETING SAE J1128, MAX O.D. OF 2.06 MM  
 SAE 20AWG, MEETING SAE J1128  
 SAE 22AWG, MEETING SAE J1128, MIN O.D. OF 1.47 MM  
 ISO 6mm<sup>2</sup>, FLR2X-A/T-125 PER GM 15626 (FEB 2008)
- B. CABLE TIE SPECIFICATIONS:  
 1. CABLE TIE:  
 TENSILE RATING: 220N / (50lbs) MIN  
 TIE LENGTH: 186mm MIN  
 TIE WIDTH: 4.75mm MAX  
 MATERIAL: NYLON  
 2. INSTALLATION:  
 CABLE TIE TENSION: 190N MIN  
 3. DRESSED WIRE BUNDLE PACKAGING: SEE FIG. 1
- C. WHEN MATED WITH COMPONENT CONNECTOR INTERFACE AND/OR DRESS COVER, HARNESS CONNECTOR SYSTEM CONFORMS TO THE FOLLOWING:  
 1. SAE/USCAR-2, REV: 3 APRIL, 2001; CLASS 3  
 2. FIELD CORRELATED LIFE TEST, SAE/USCAR-20, NOV. 2001  
 3. GMW #3191 AUGUST 22, 2000 (DRAFT); TEMPERATURE CLASS 3 (145°C), SEALING CLASS 1 (HIGH PRESSURE SPRAY), VIBRATION CLASS 2 (ON BODY)  
 4. TPA USER FORCES (FULLY POPULATED WITH TERMINALS)  
 a. REMOVAL FROM LOCK TO PRE-SET: <=120N
- D. WIRE SPECIFICATIONS:  
 1. WIRE SURFACE MUST BE FREE OF SCRATCHES, GROOVES OR DENTS WHERE FUNCTIONAL

5. TERMINAL CURRENT RATINGS:

ALL TESTING DONE IN ACCORDANCE WITH USCAR-2 REV5 SECTION 5.3

- A. MX64 RCPT TERM  
 1. MX64 RCPT TERM Ag 18/20 GAGE CRIMPED TO SAE WIRE SIZE NO.18 AND MATED TO MX123 0.64MM PIN: 11.3 AMPS  
 2. MX64 RCPT TERM Ag 22 GAGE CRIMPED TO SAE WIRE SIZE NO.22 AND MATED TO MX123 0.64MM PIN:8.5 AMPS

WIRE	CURRENT RATING			
	23 deg.C	85 deg.C	105 deg.C	125 deg.C
18AWG	11.3A	11.3A	9.5A	6.6A
20AWG	10.0A	10.0A	8.3A	5.7A
22AWG	8.6A	8.6A	7.1A	5.0A

- B. 2.8MM RCPT TERM  
 1. 2.8MM RCPT TERM TIN 14 GAGE CRIMPED TO SAE WIRE SIZE NO.14 AND MATED TO MX123 2.8MM BLADE: 25.6 AMPS
- C. 6.3MM RCPT TERM - FCI APEX  
 1. 6.3MM RCPT TERM TIN/SILVER CRIMPED TO 6.0MM<sup>2</sup> WIRE AND MATED TO MOLEX 6.3MM<sup>2</sup> BLADE (Sn/Ag PLATED):36A AT 125°C
6. CONTACT MOLEX AUTOMOTIVE FOR AVAILABLE CUSTOM PATTERNS OF CAVITIES OPEN FOR CIRCUITS

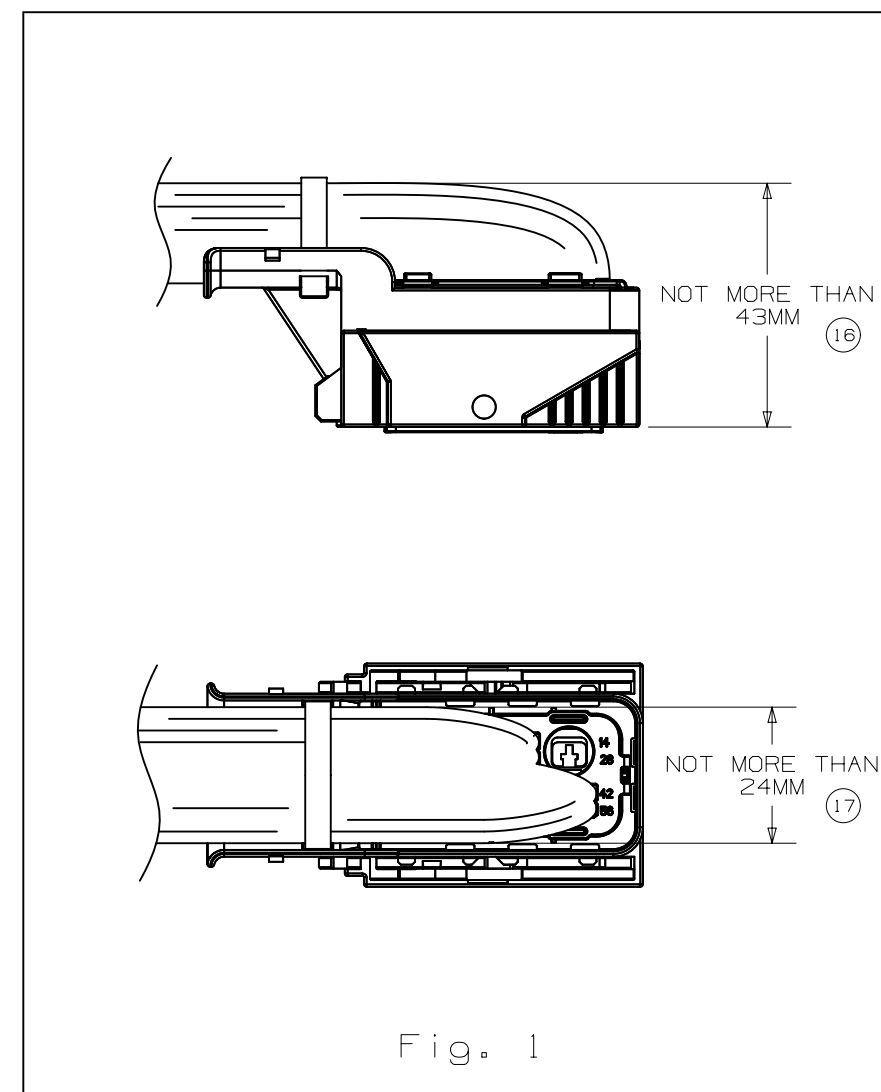
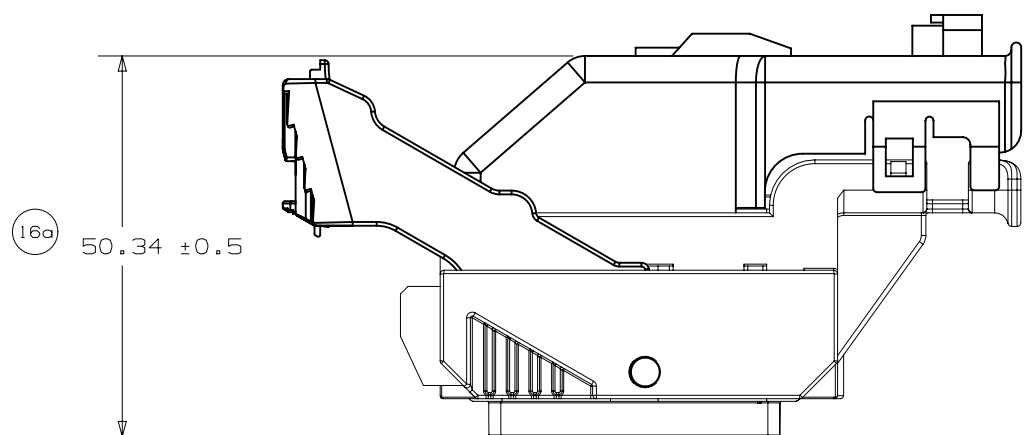


PAGE TITLE  
 NOTES

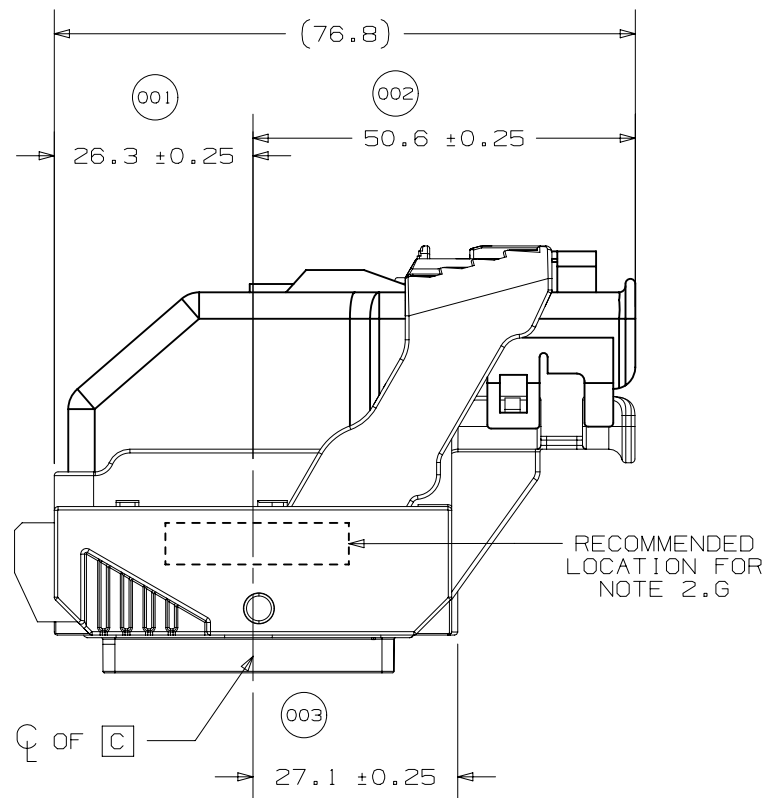
DRAWING NUMBER  
 12642694

DWG STATUS		
ST	REV	PDI
R	001	

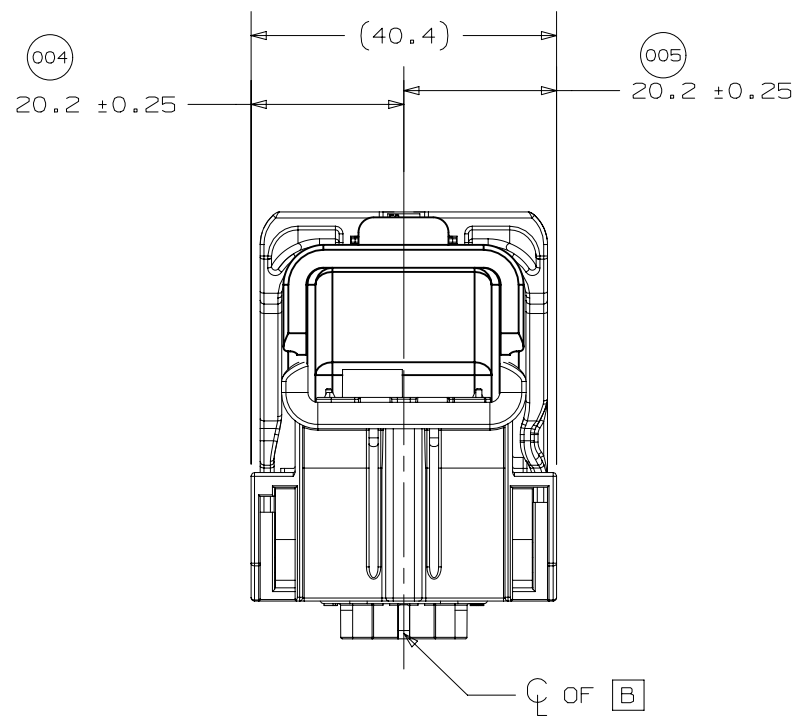
PAGE NUMBER  
 7 of 22



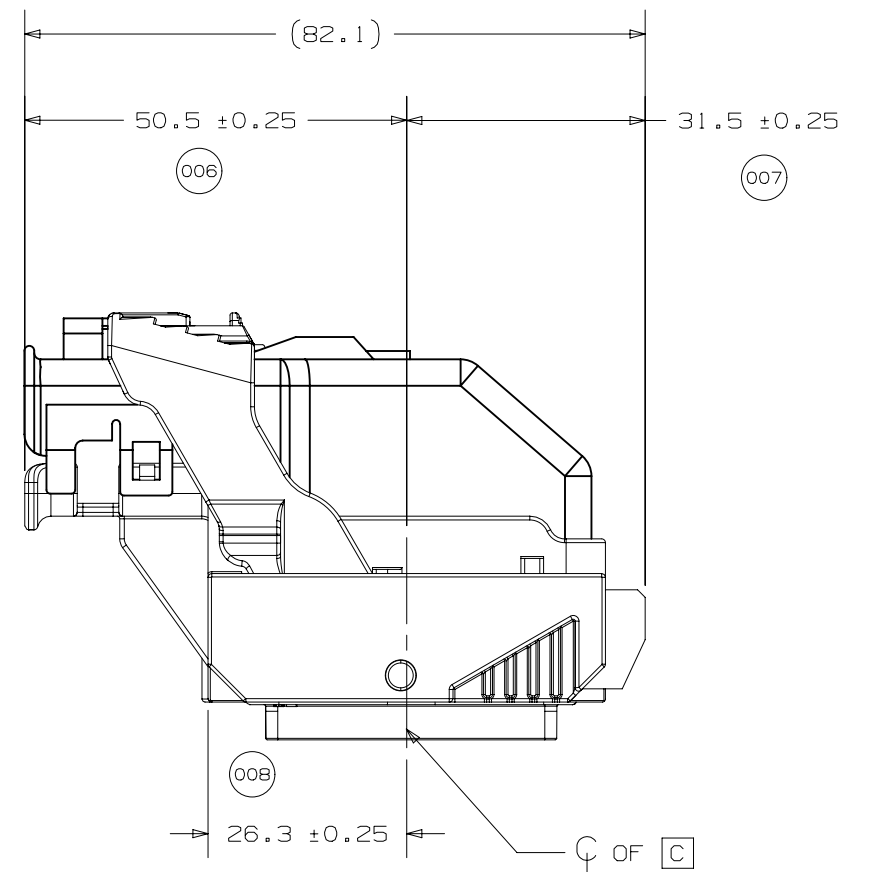




WIRE DRESS OPTION 0 SHOWN

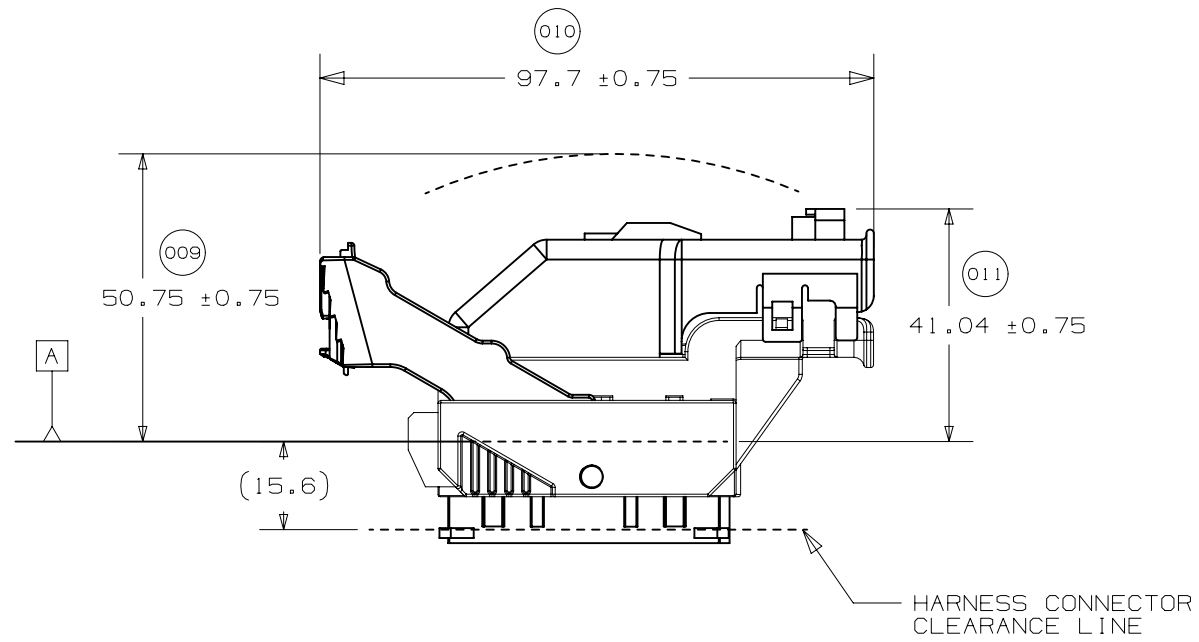
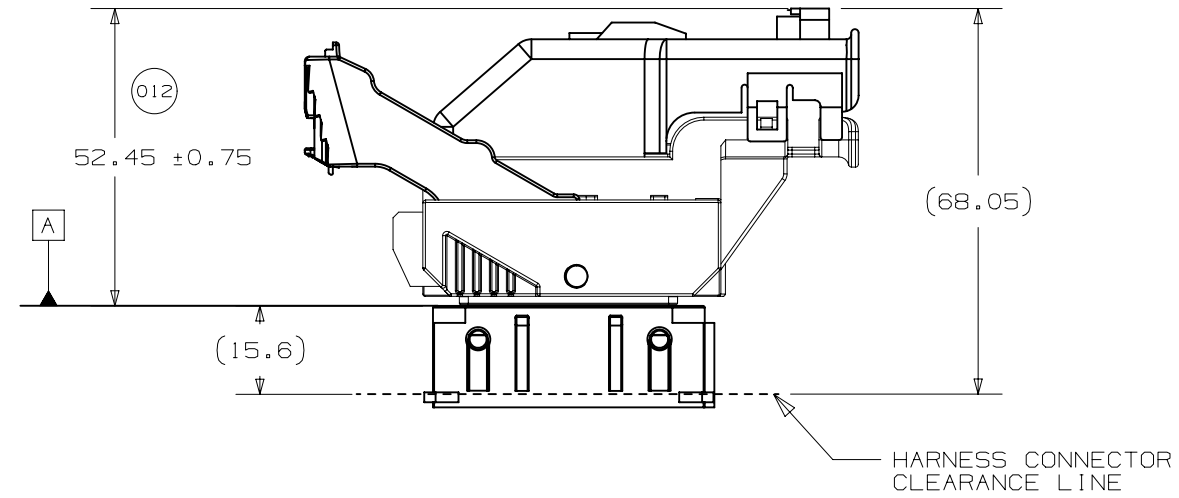


WIRE DRESS OPTION 0 SHOWN

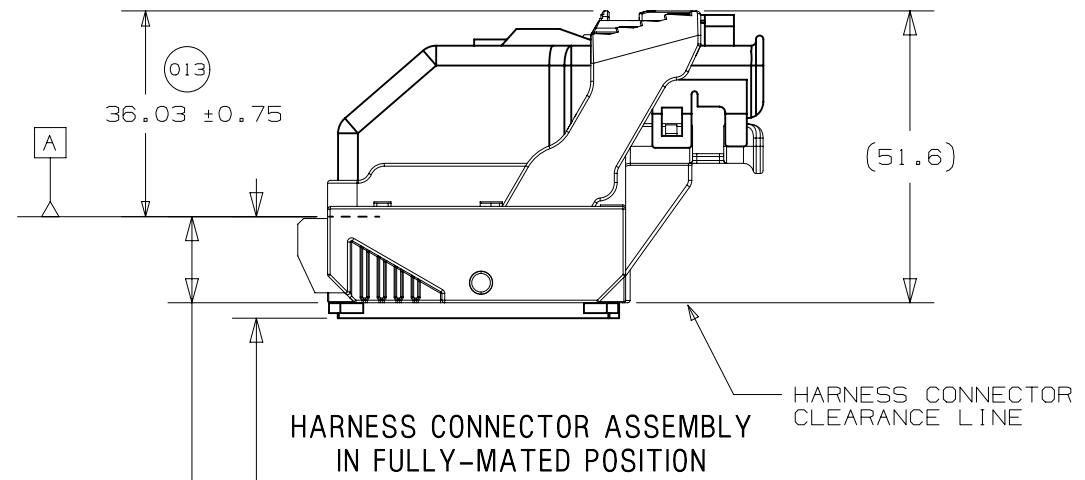


WIRE DRESS OPTION 9 SHOWN





HARNESS CONNECTOR ASSEMBLY  
IN PRE-LOCK POSITION

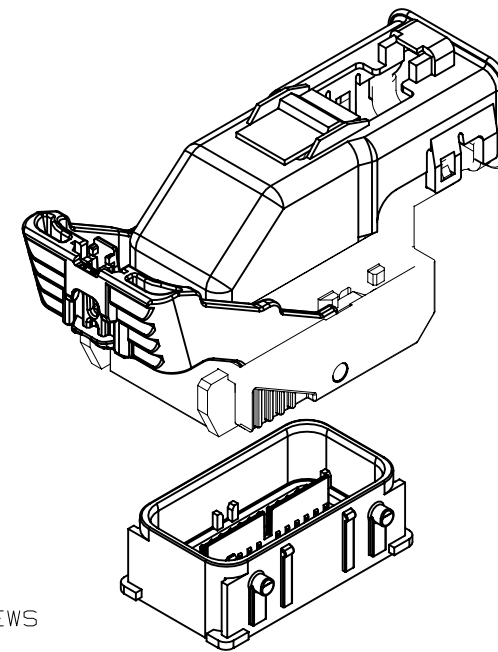
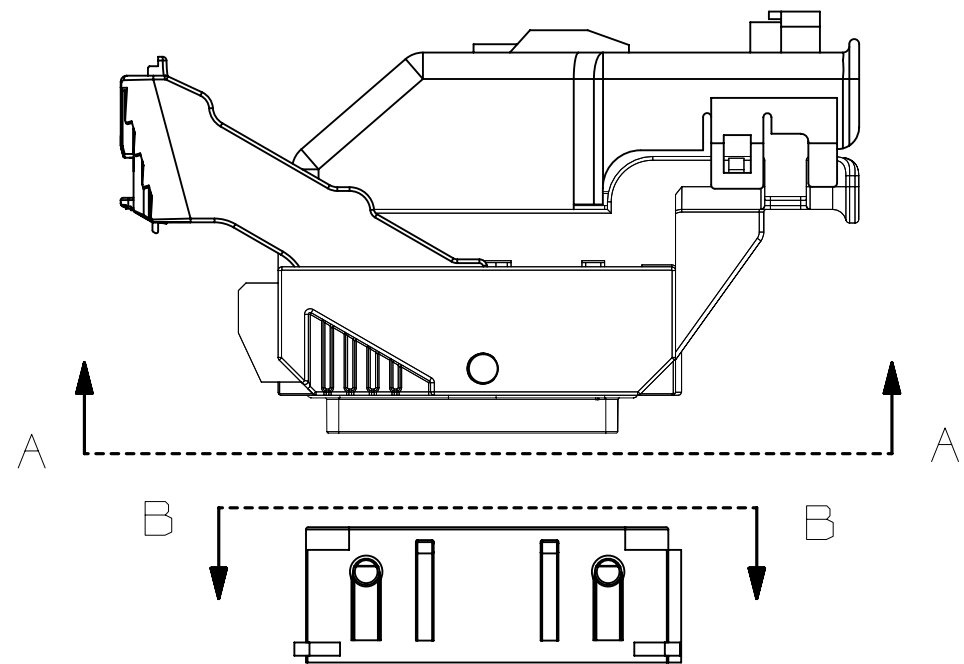


HARNESS CONNECTOR ASSEMBLY  
IN FULLY-MATED POSITION

17.9 MIN. AT PAD LOCATION  
CLEARANCE REQUIRED  
FOR HARNESS CONNECTOR,  
CONSTRUCTION BELOW THIS  
PLANE IS NOT CONTROLLED

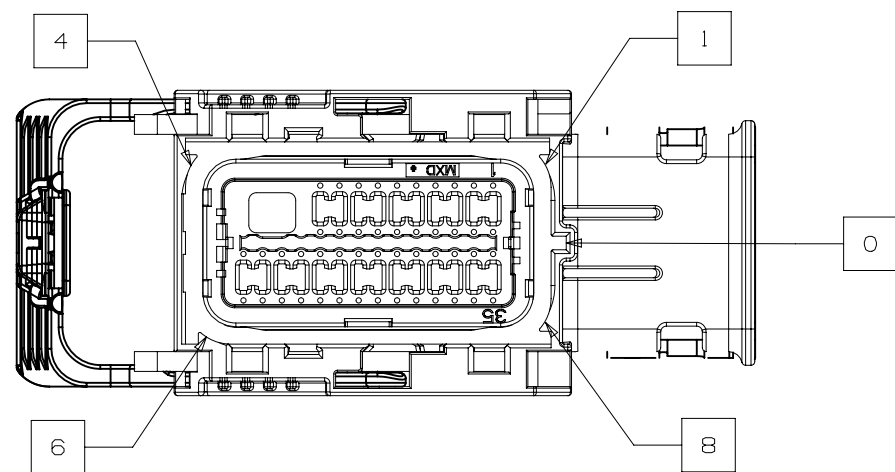
15.6 MIN.  
ALL AROUND  
CLEARANCE REQUIRED  
FOR HARNESS CONNECTOR



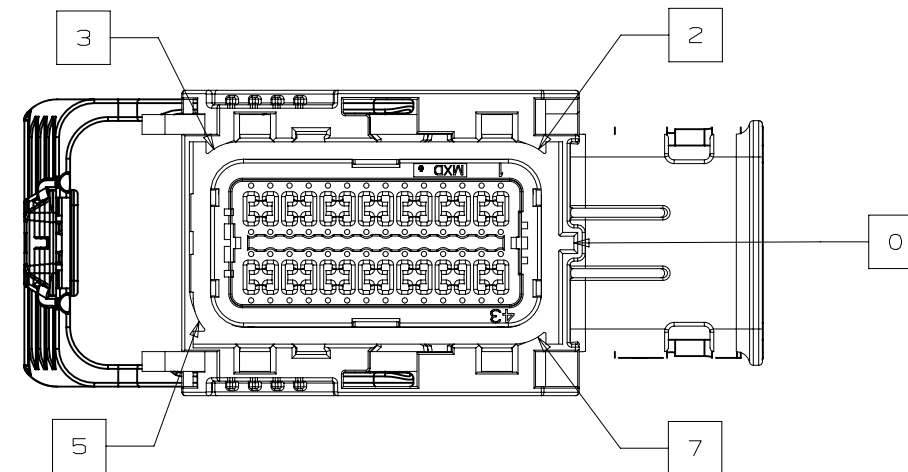


NOTE: REFERENCE THE COMPONENT TABLE FOR KEY OPTIONS AND CONFIGURATIONS

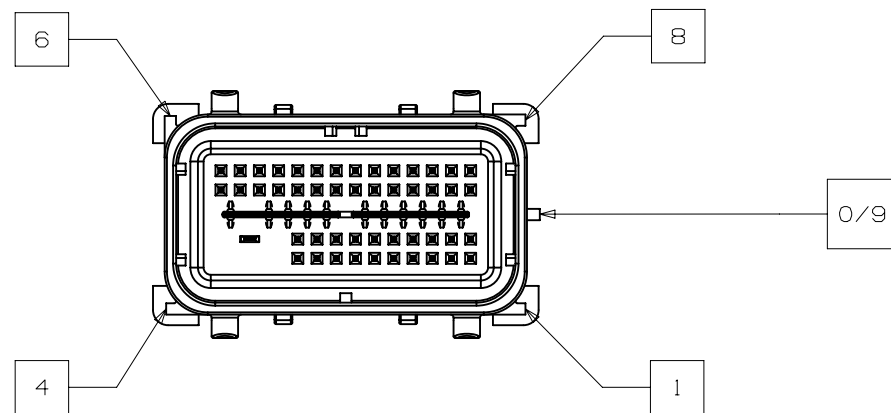
INTERFACE SIDE SHOWN IN ALL SECTION VIEWS



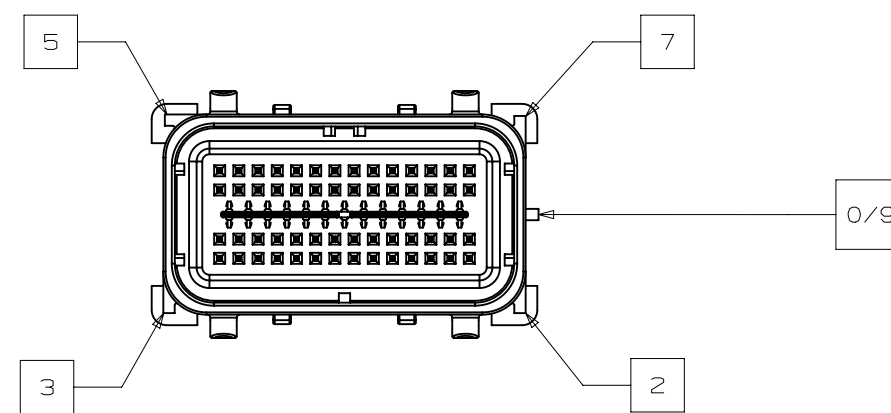
SECTION A-A  
KEY OPTION B SHOWN



SECTION A-A  
KEY OPTION K SHOWN



SECTION B-B  
KEY OPTION B SHOWN



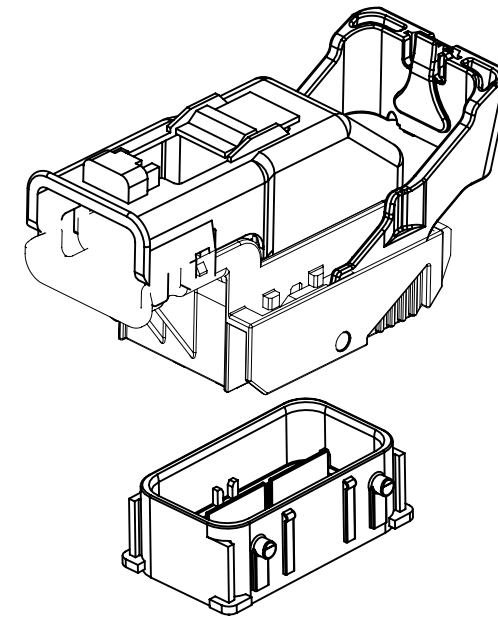
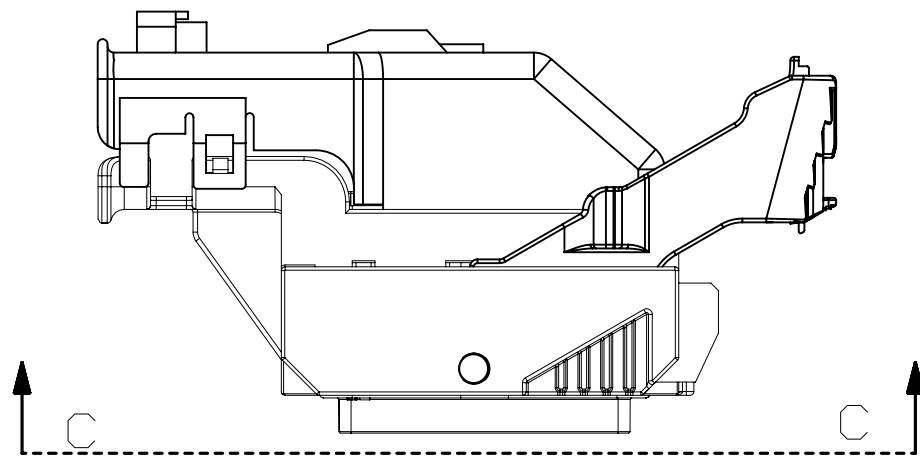
SECTION B-B  
KEY OPTION K SHOWN



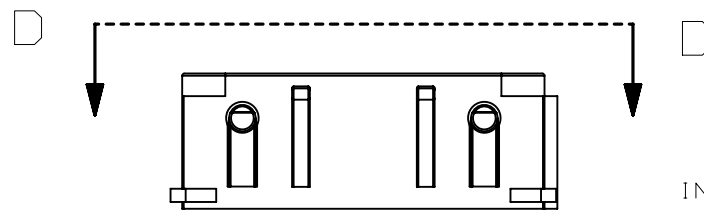
PAGE TITLE  
KEY ID REF - WIRE DRESS OPTION 0

DRAWING NUMBER  
12642694

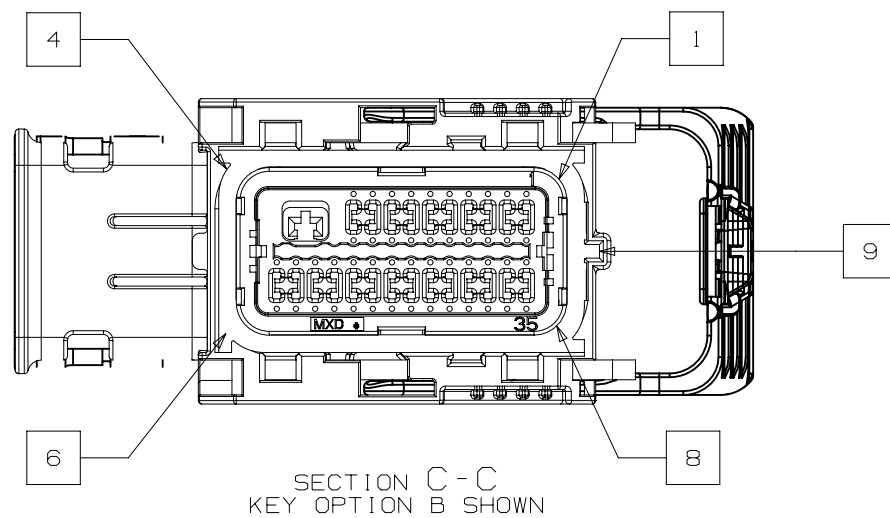
DWG STATUS			PAGE NUMBER	
ST	REV	PD1	11	OF 22
R	001			



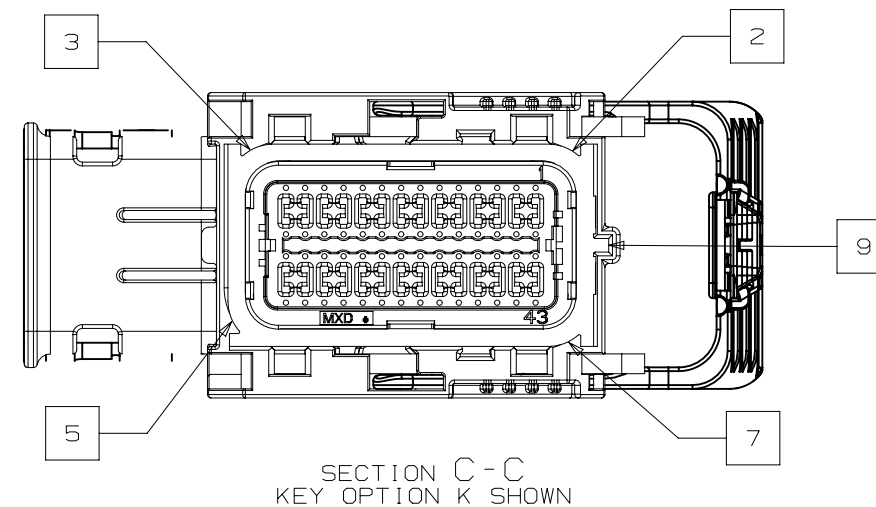
NOTE: REFERENCE THE COMPONENT TABLE FOR KEY OPTIONS AND CONFIGURATIONS



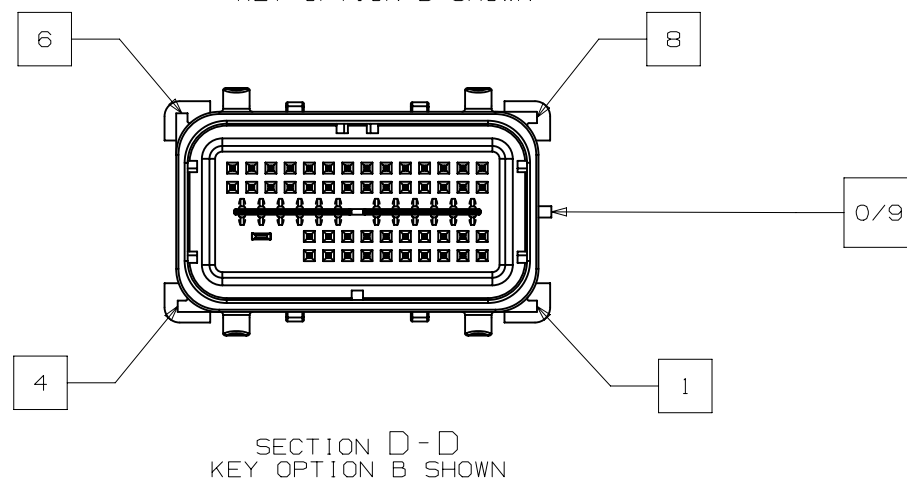
INTERFACE SIDE SHOWN ON ALL SECTION VIEWS



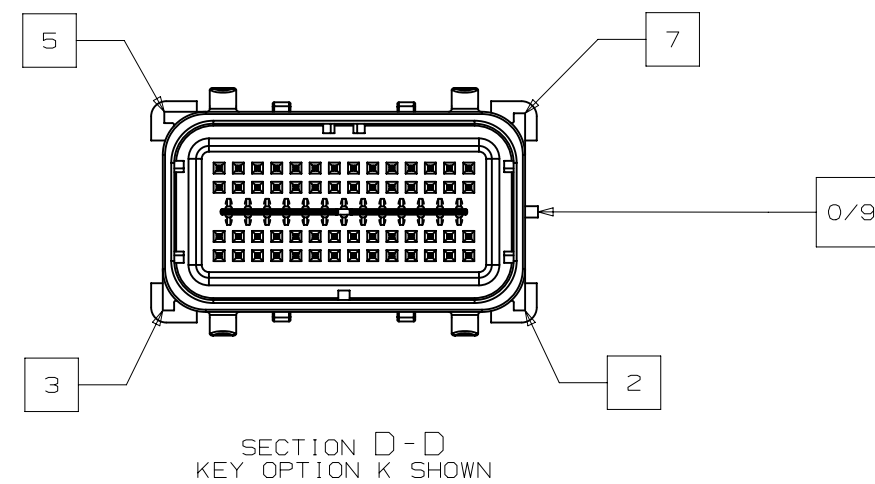
SECTION C-C  
KEY OPTION B SHOWN



SECTION C-C  
KEY OPTION K SHOWN



SECTION D-D  
KEY OPTION B SHOWN



SECTION D-D  
KEY OPTION K SHOWN

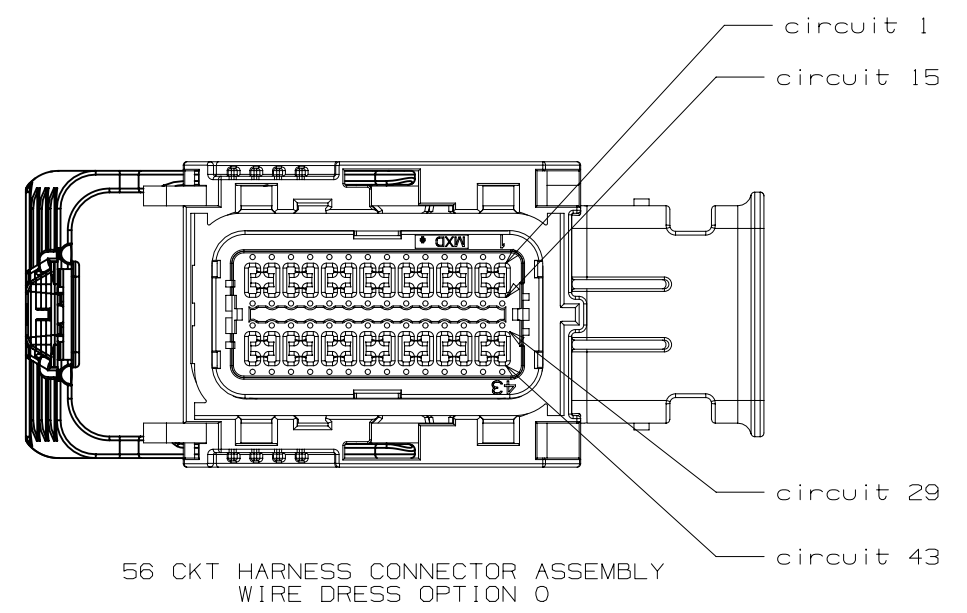
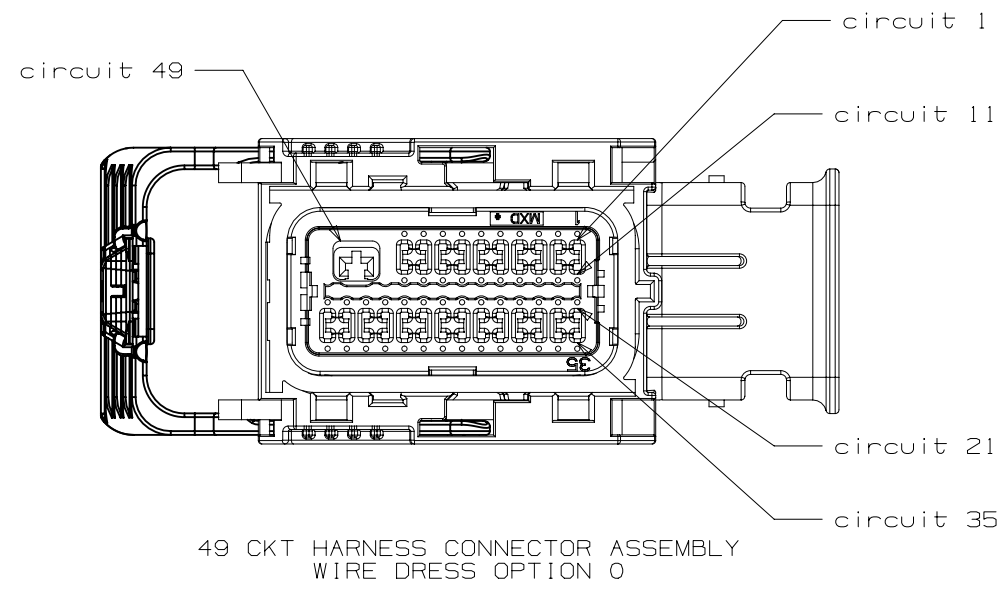


PAGE TITLE  
KEY ID REF - WIRE DRESS OPTION 9

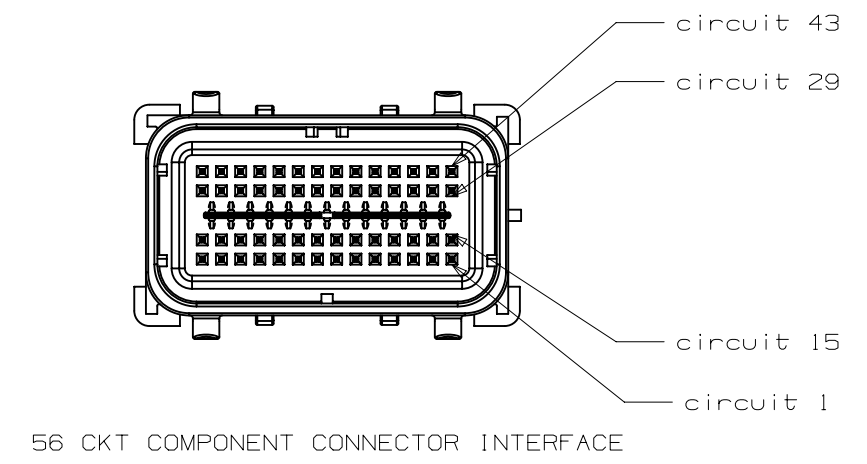
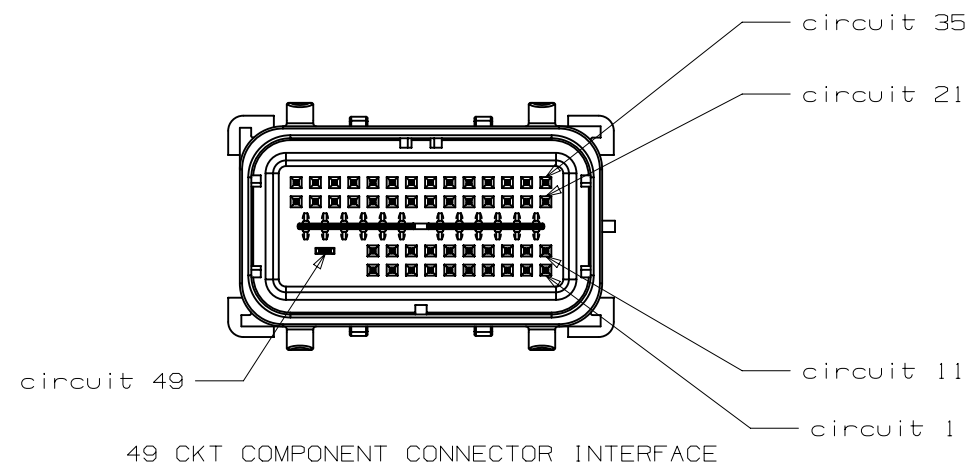
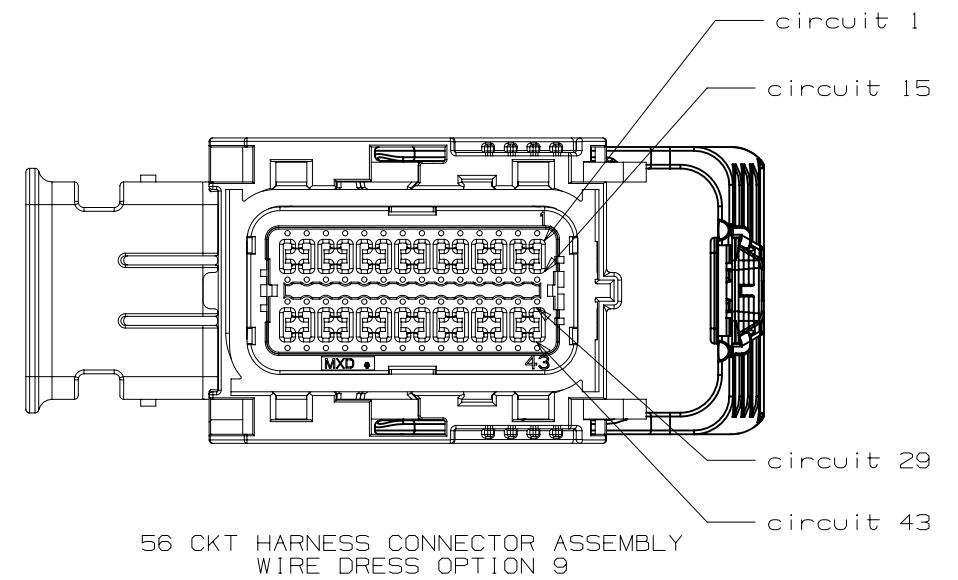
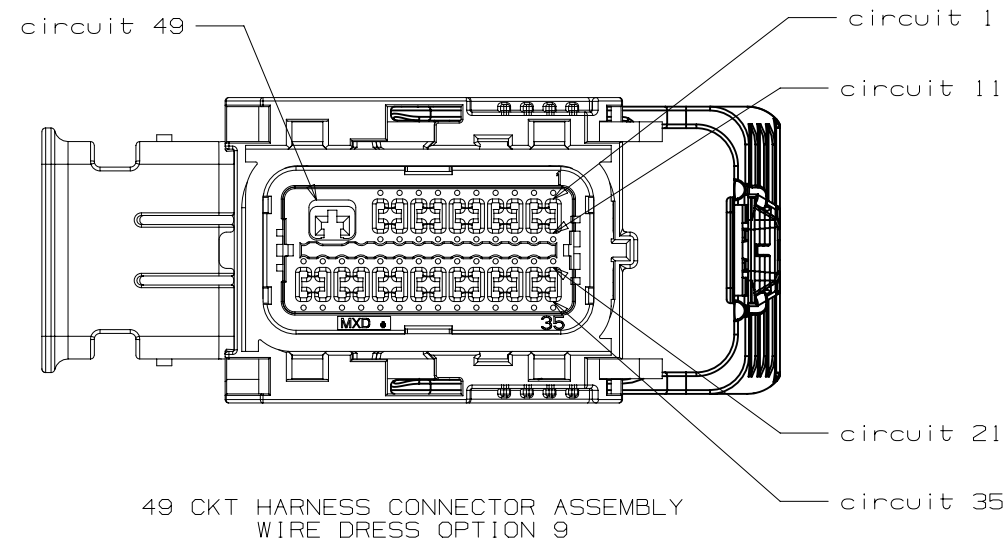
DRAWING NUMBER  
12642694

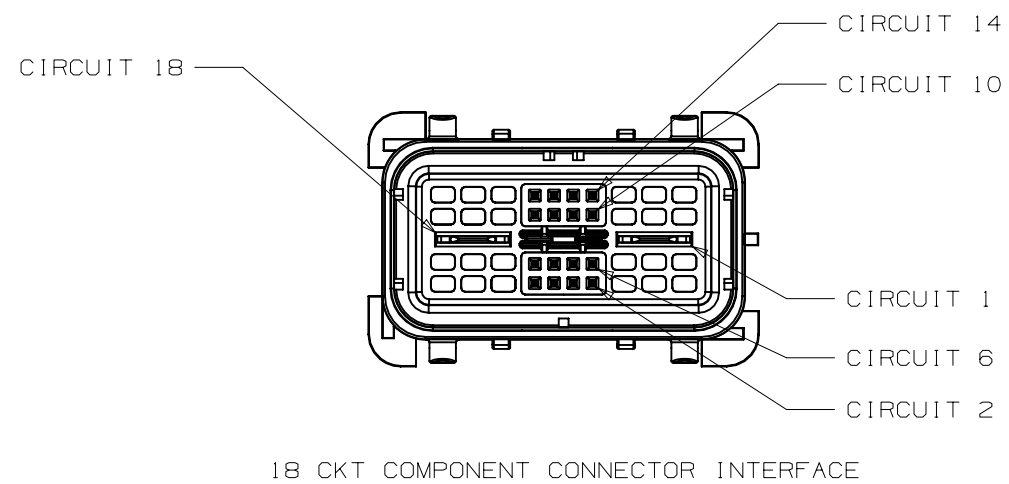
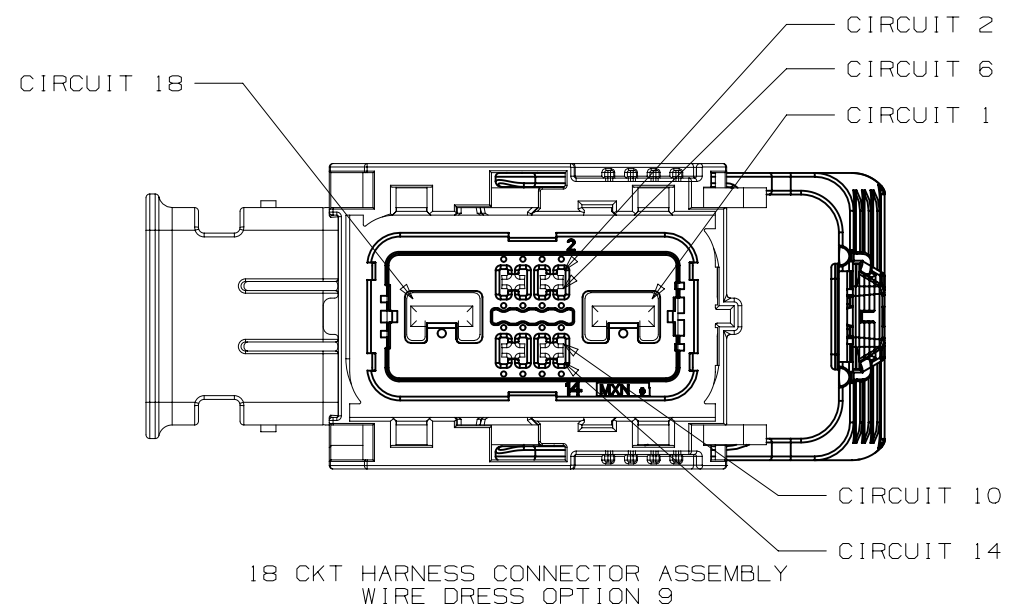
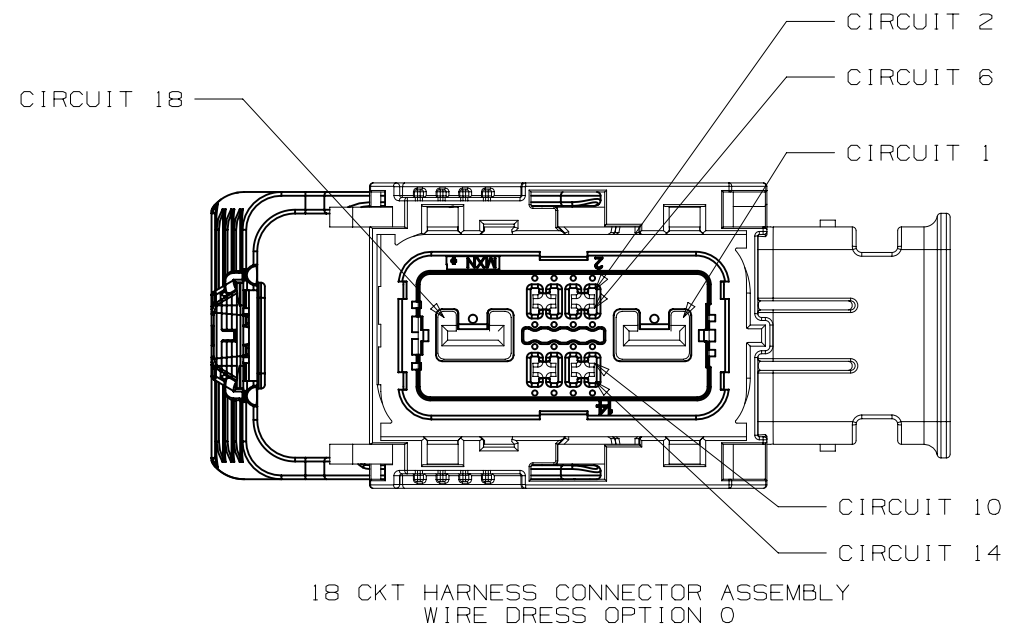
DWG STATUS		
ST	REV	PD1
R	001	

PAGE NUMBER  
12 OF 22



INTERFACE SIDE SHOWN ON ALL VIEWS





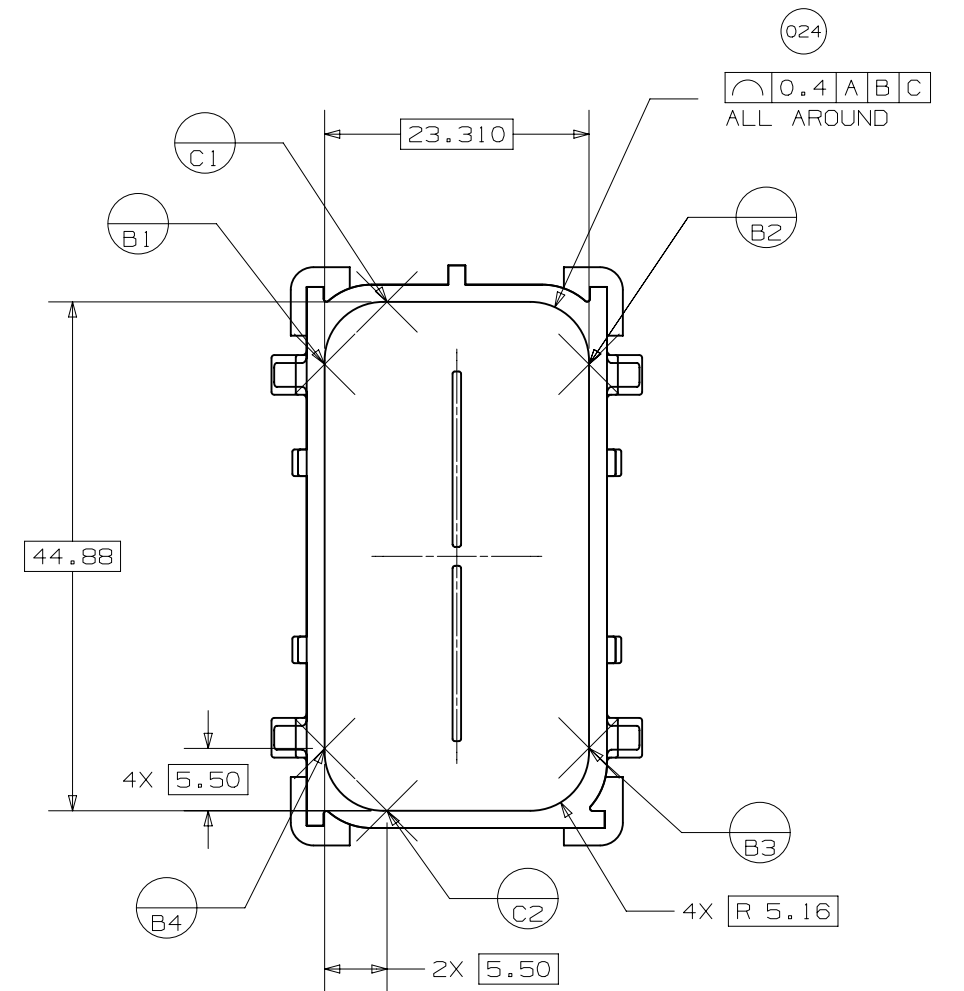
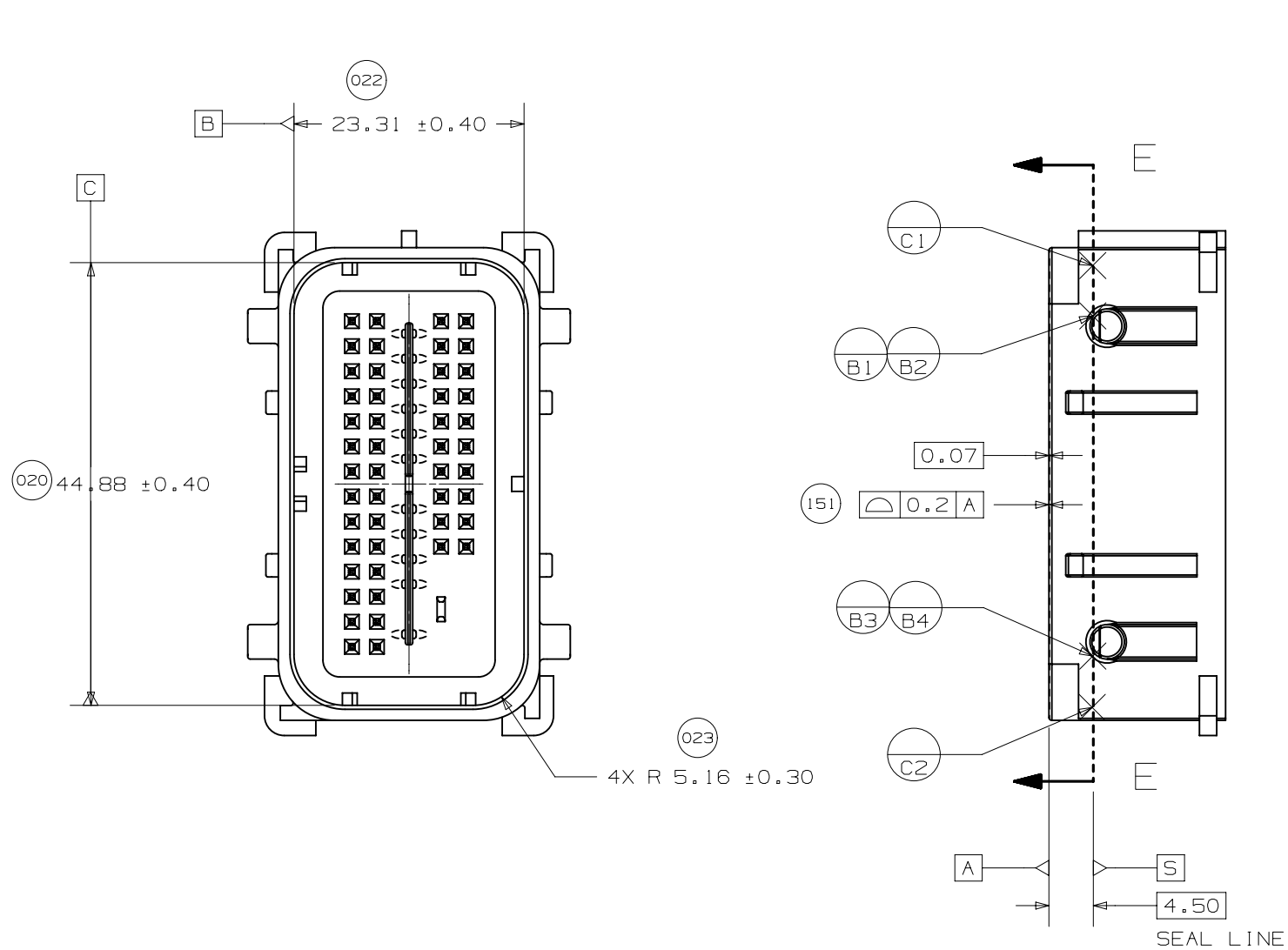
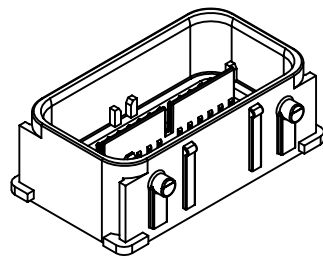
INTERFACE SIDE SHOWN ON ALL VIEWS



PAGE TITLE  
CIRCUIT CONFIGURATIONS

DRAWING NUMBER  
12642694

DWG STATUS			PAGE NUMBER	
ST	REV	PDI	14	OF 22
R	001			



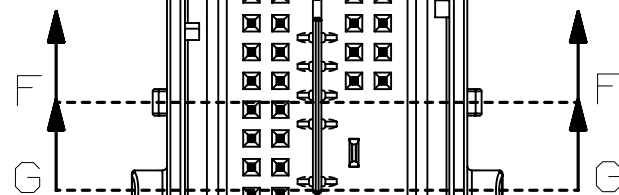
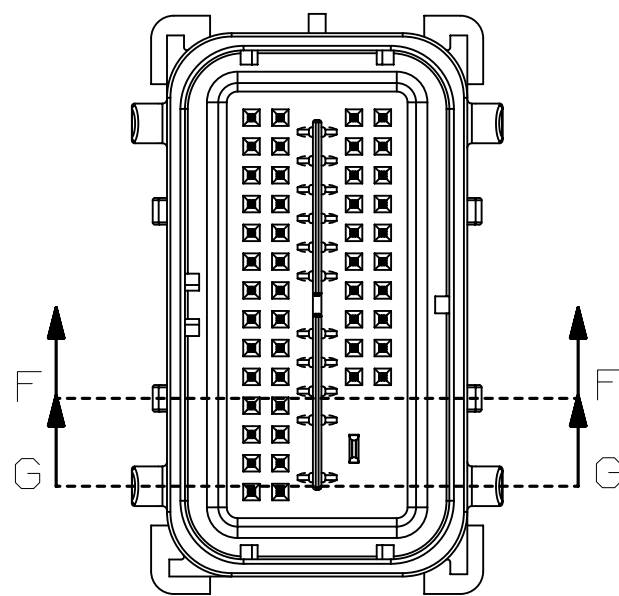
UNLESS SPECIFIED, TOLERANCE OF THE DEVICE INTERFACE TO BE  $\nabla 0.13 \text{ A B C}$



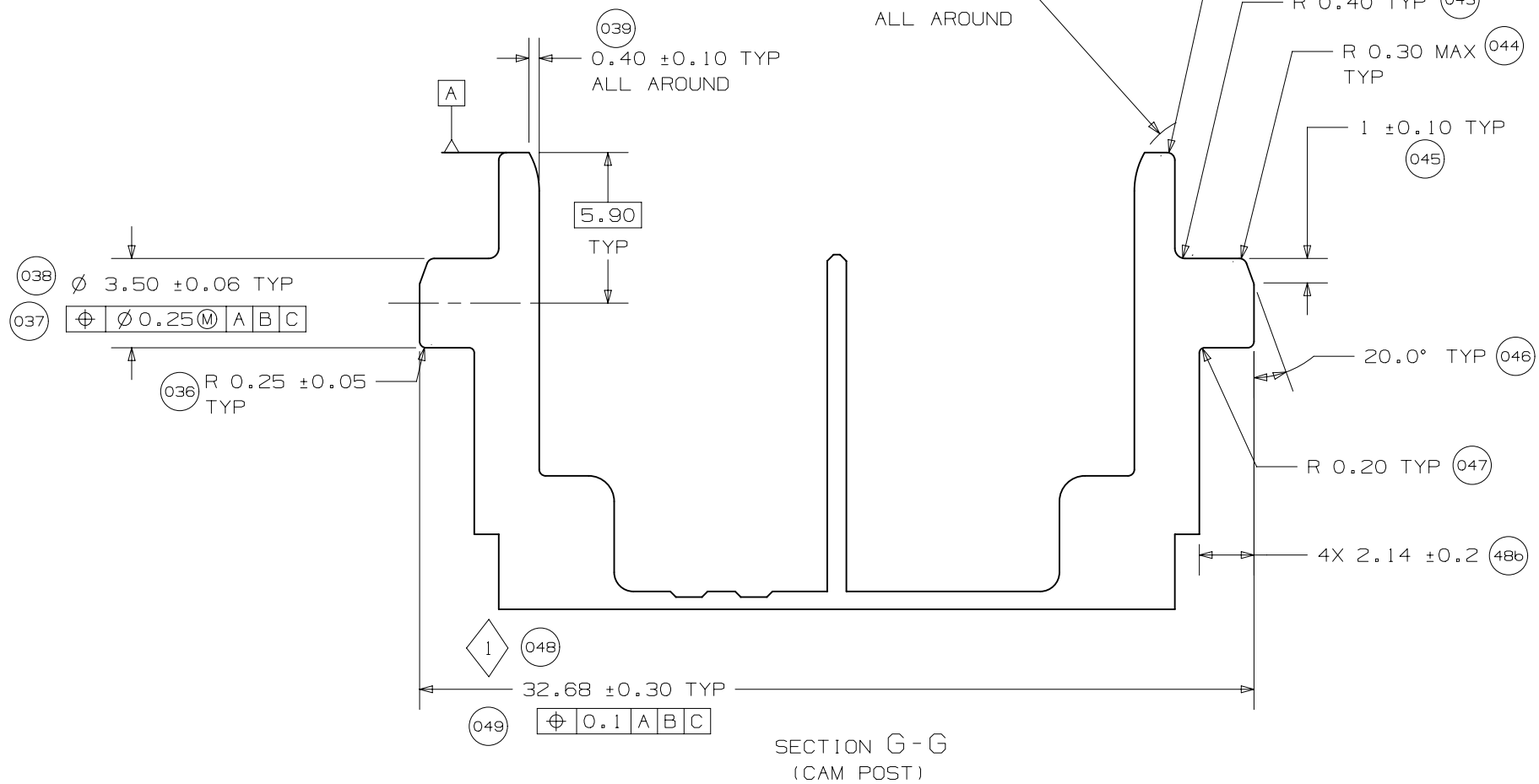
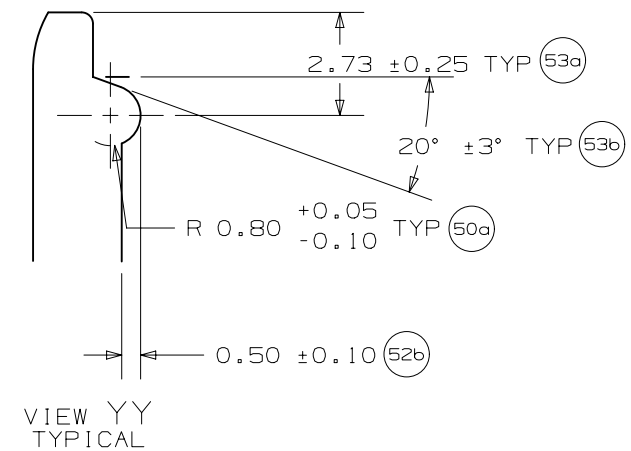
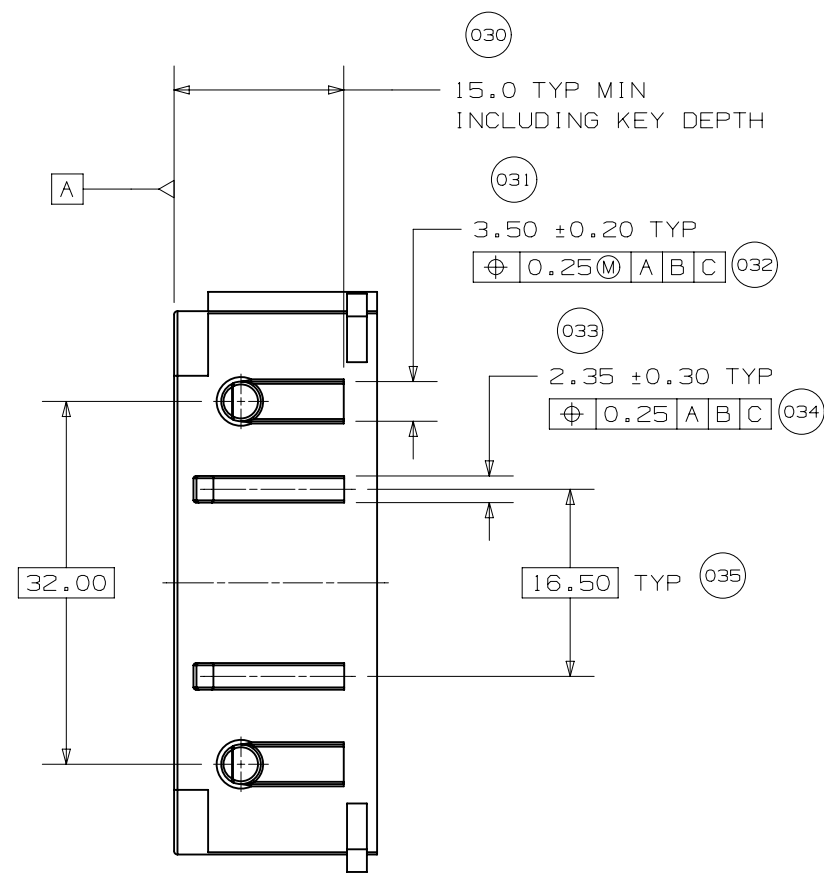
PAGE TITLE  
COMPONENT CONNECTOR INTERFACE

DRAWING NUMBER  
12642694

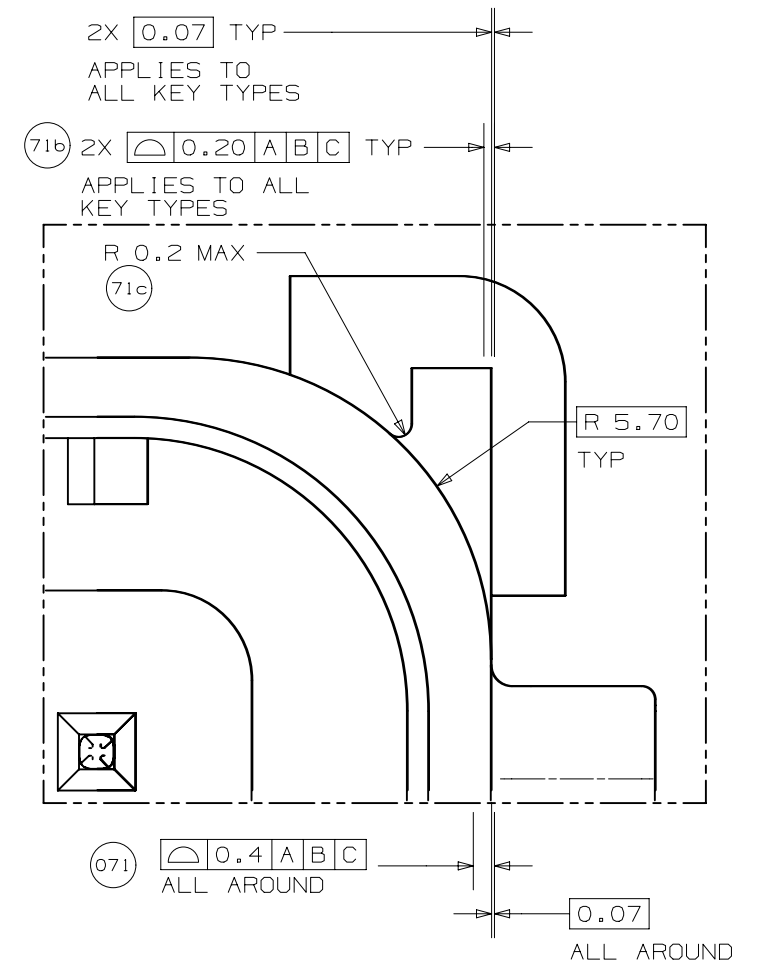
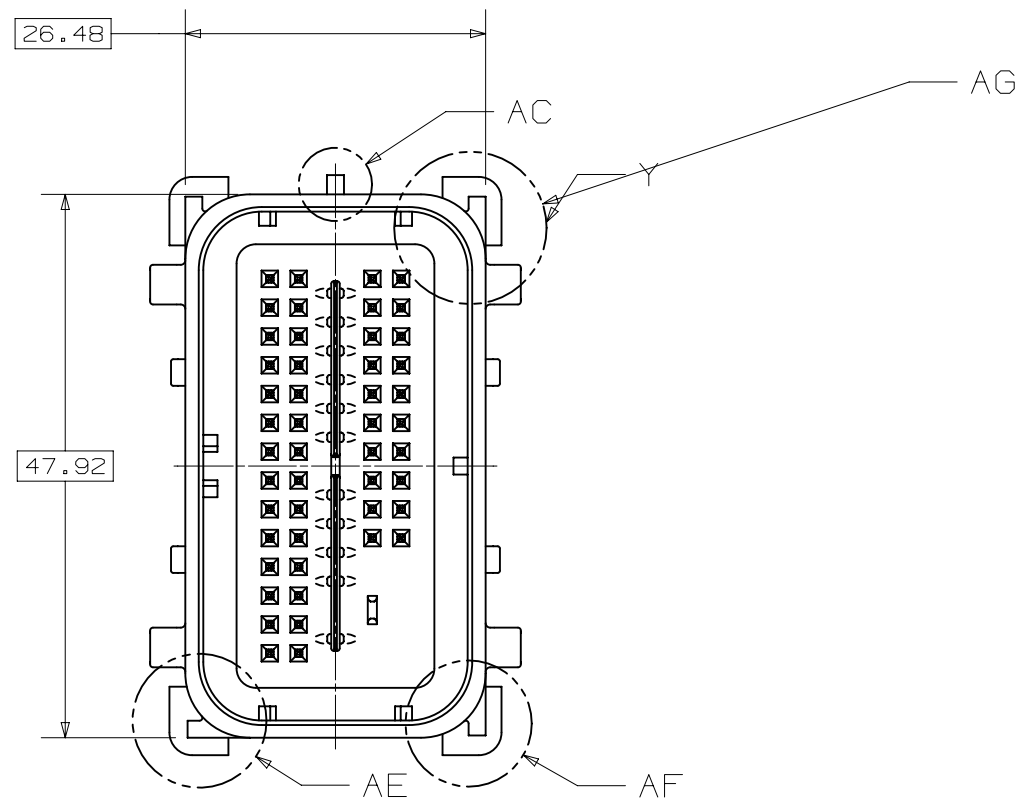
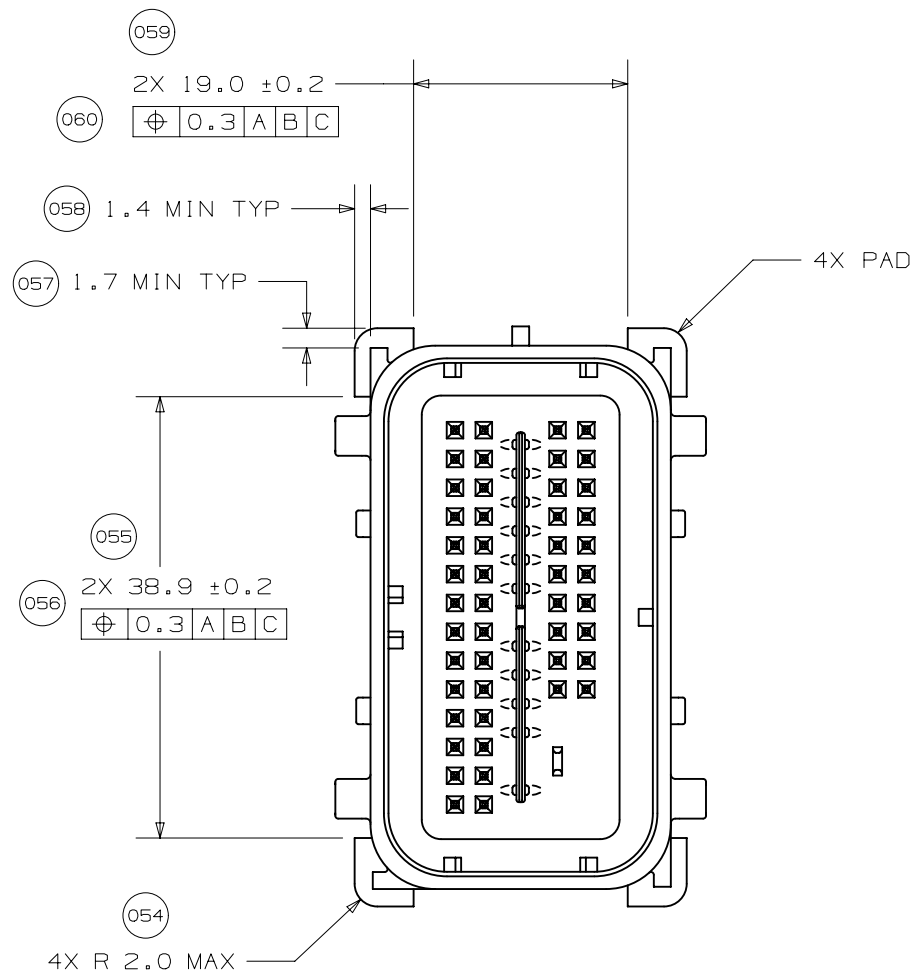
DWG STATUS			PAGE NUMBER
ST	REV	PD1	
R	001		15 of 22



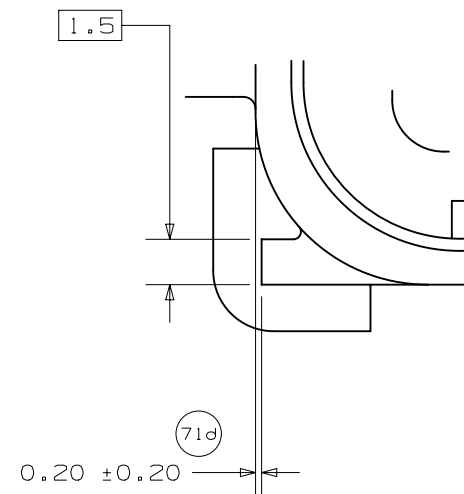
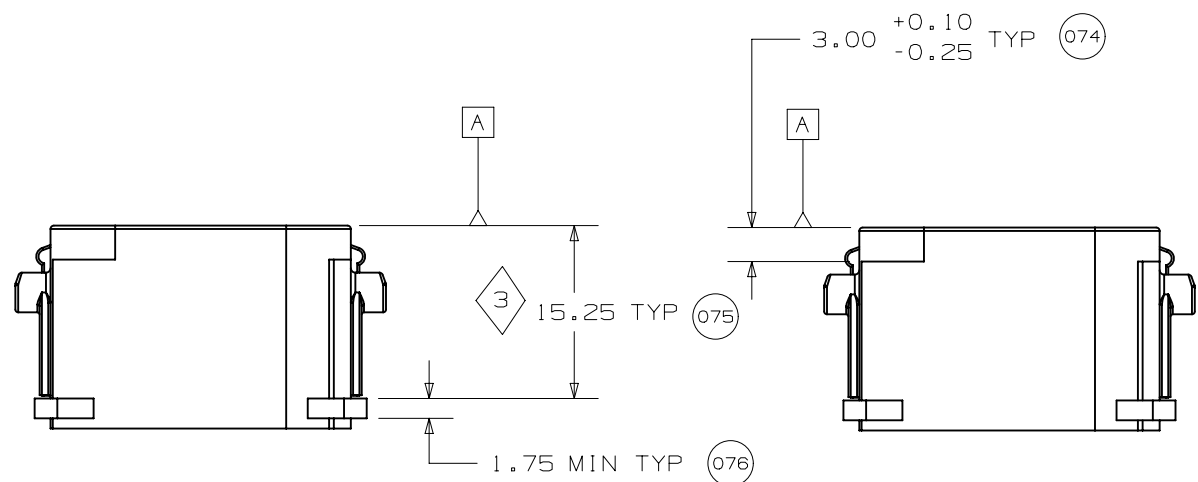
SECTION F - F  
(RELEASE FEATURE)



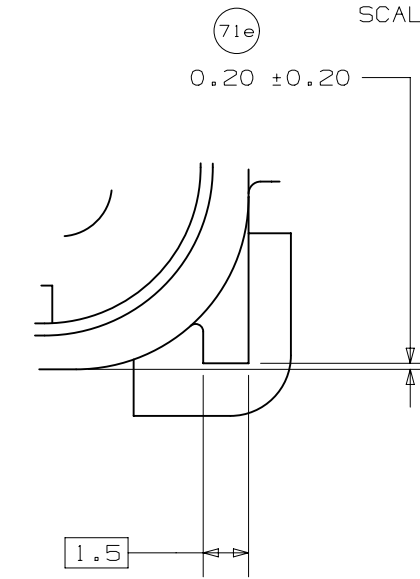




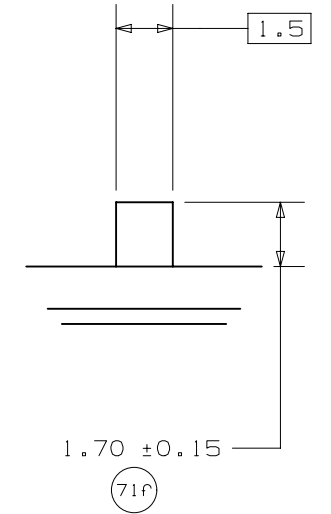
DETAIL Y  
 SCALE 7:1



VIEW AE  
 KEY TYPE 2



VIEW AF  
 KEY TYPE 1



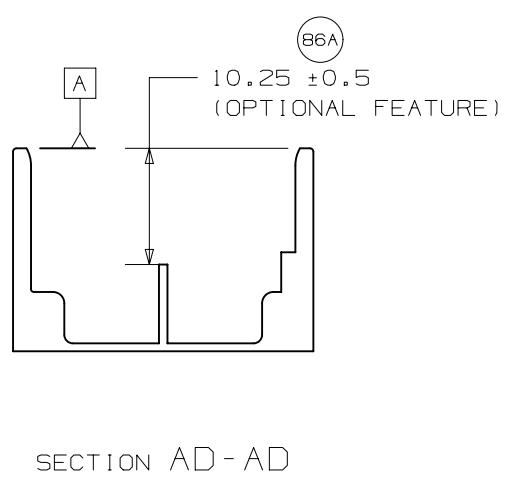
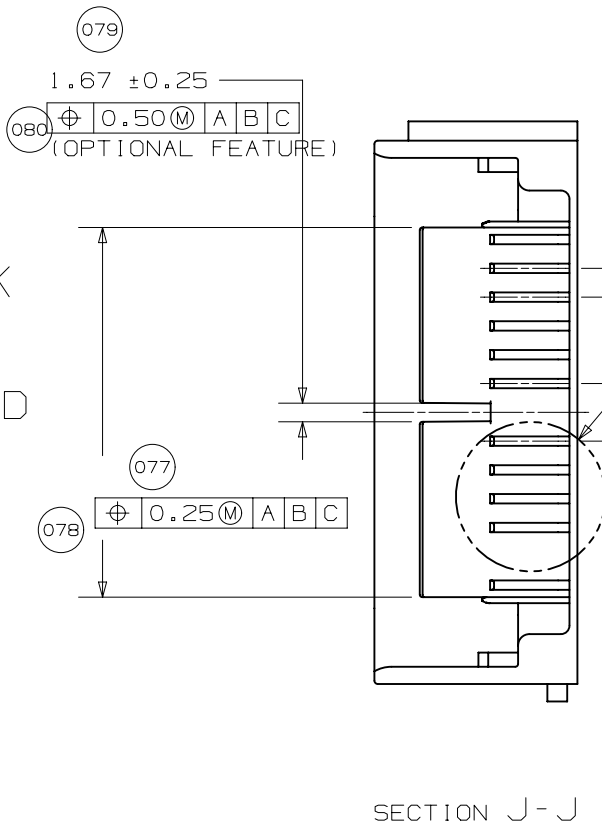
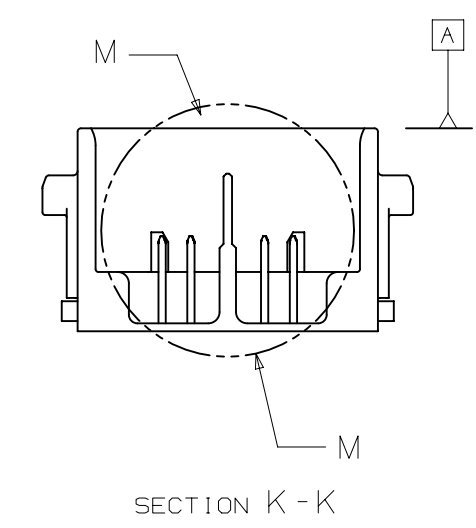
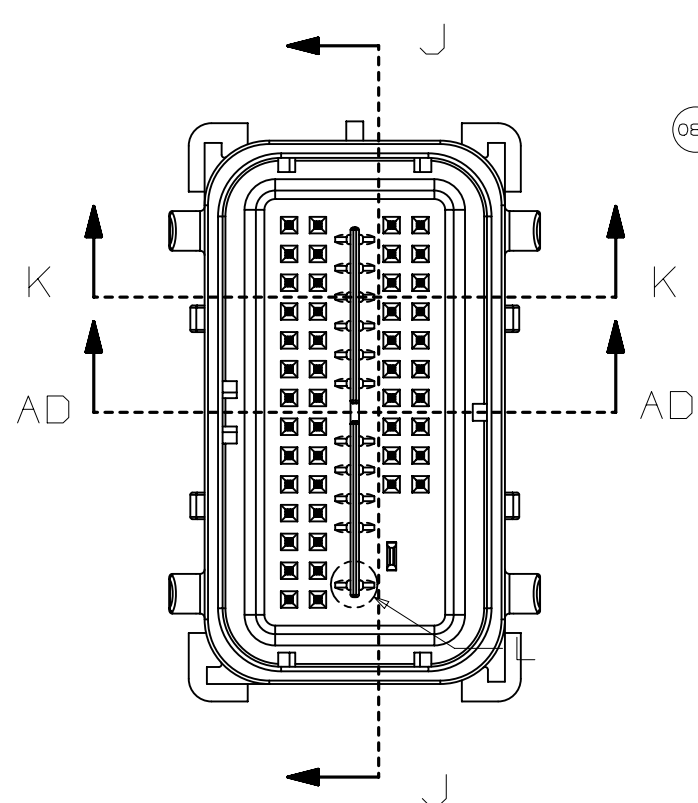
VIEW AC  
 KEY TYPE 3



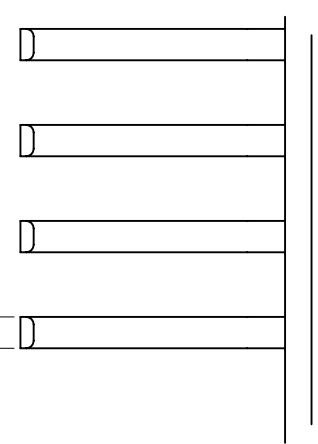
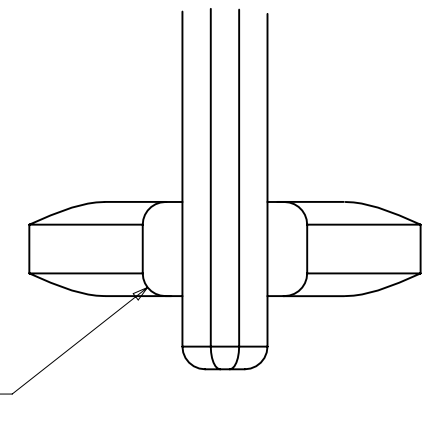
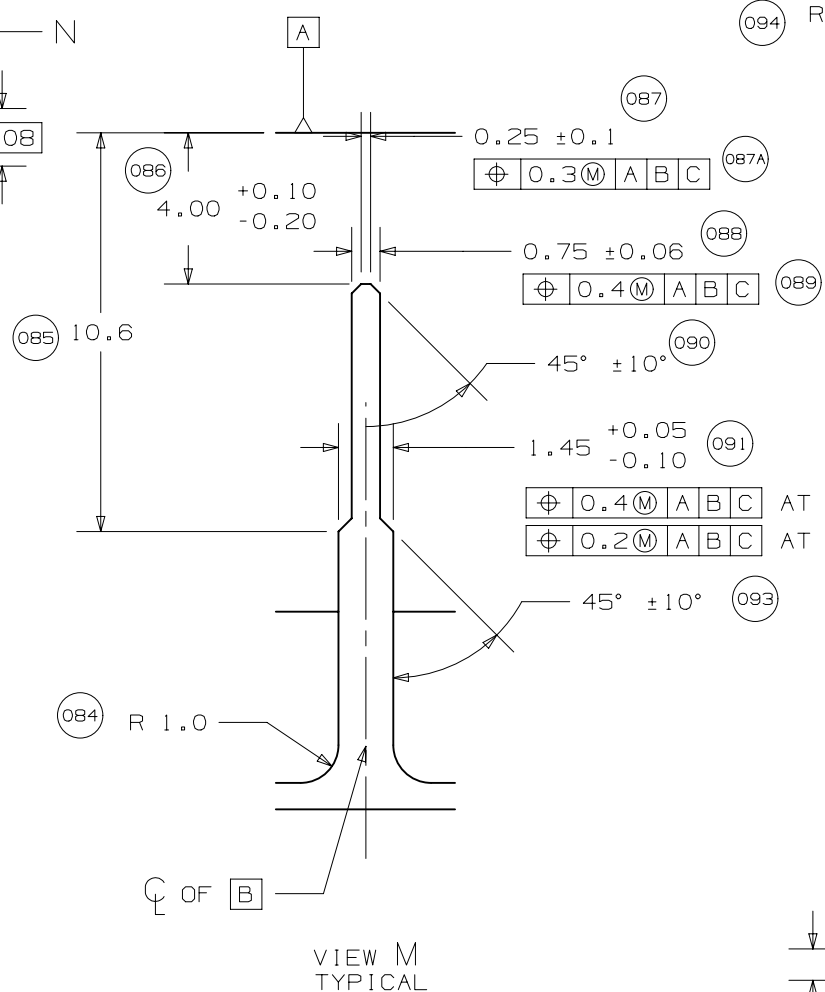
PAGE TITLE  
 COMPONENT CONNECTOR INTERFACE

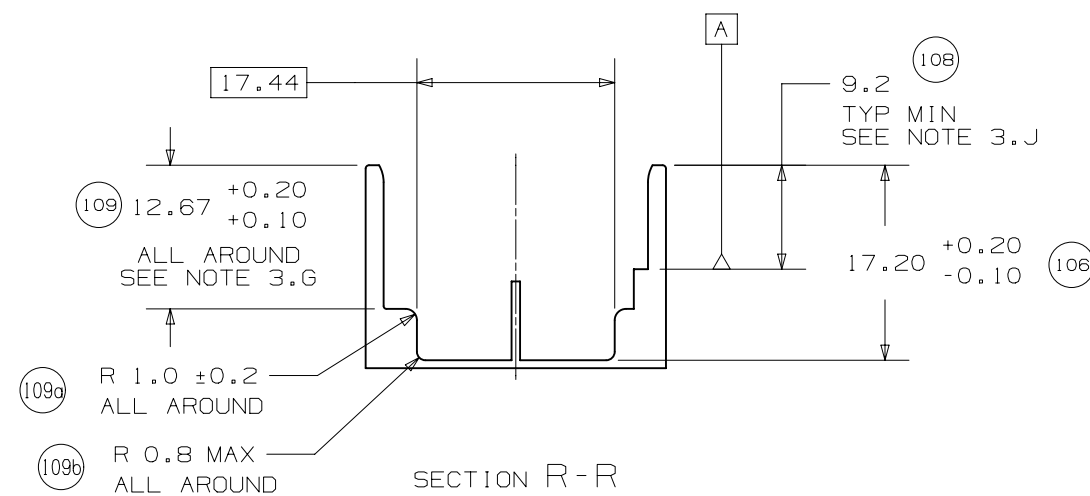
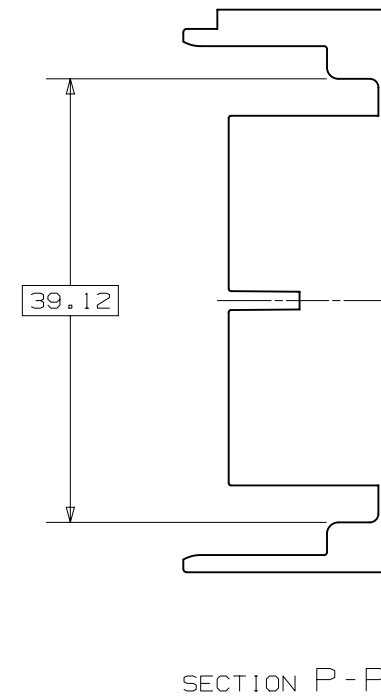
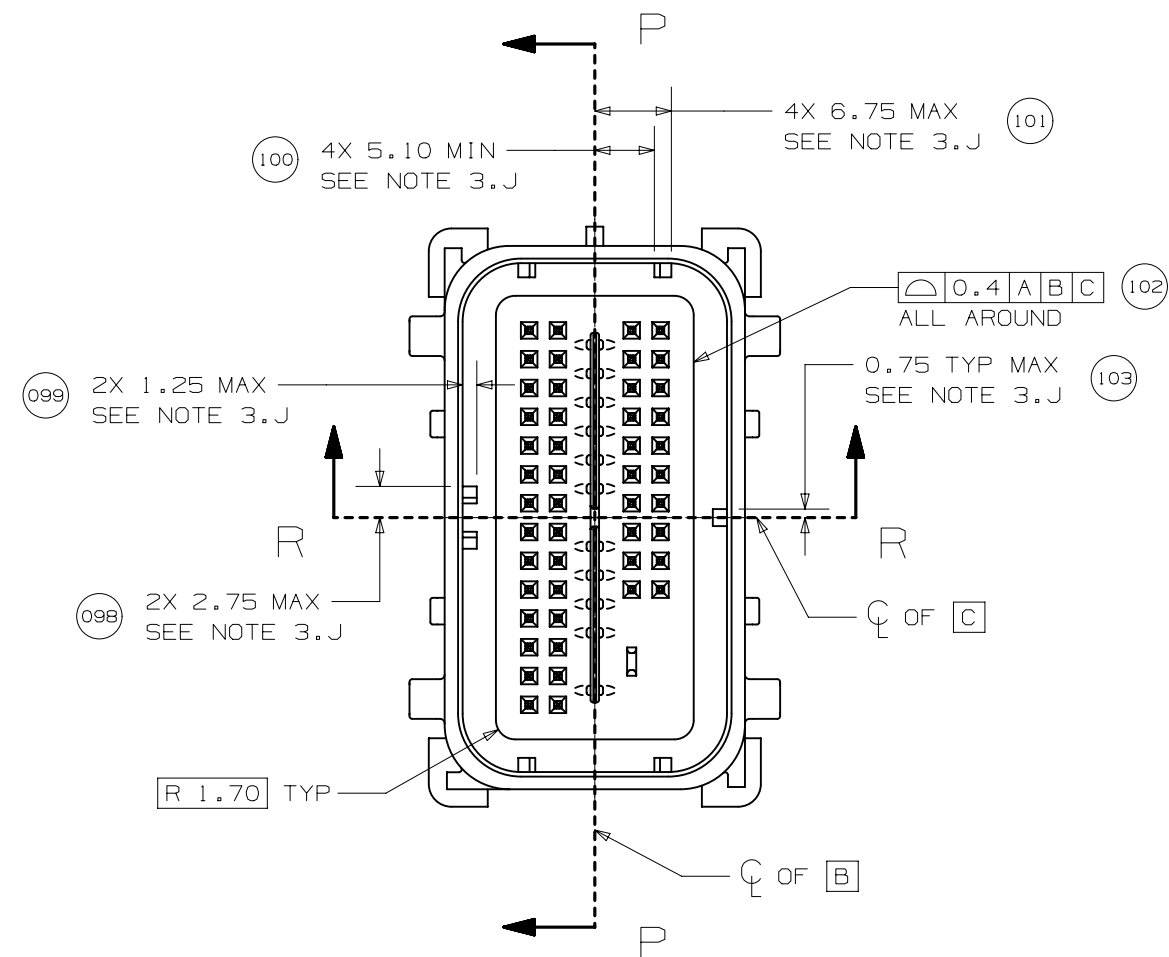
DRAWING NUMBER  
 12642694

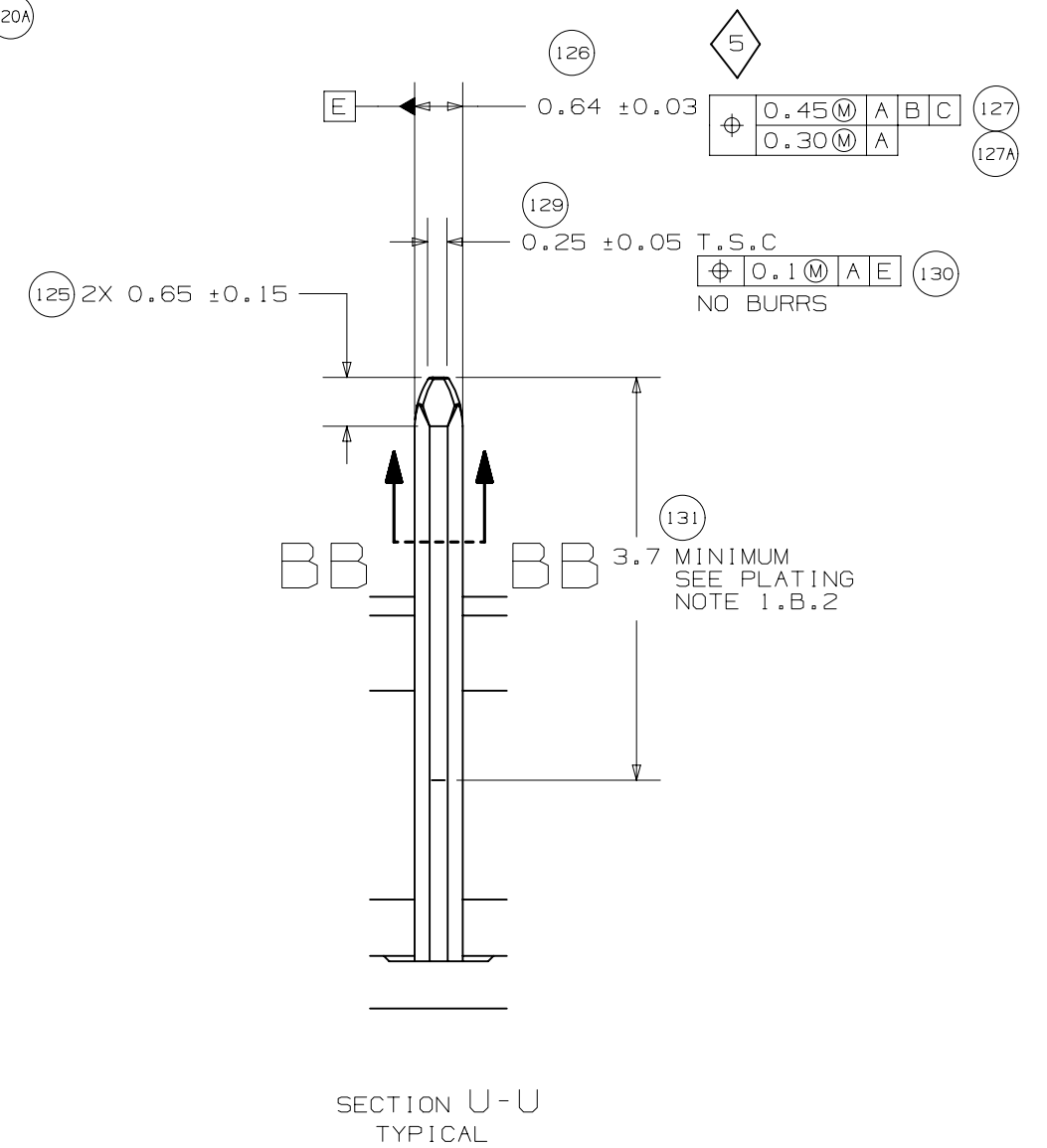
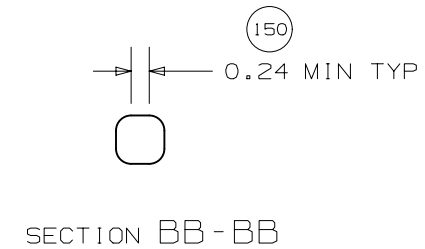
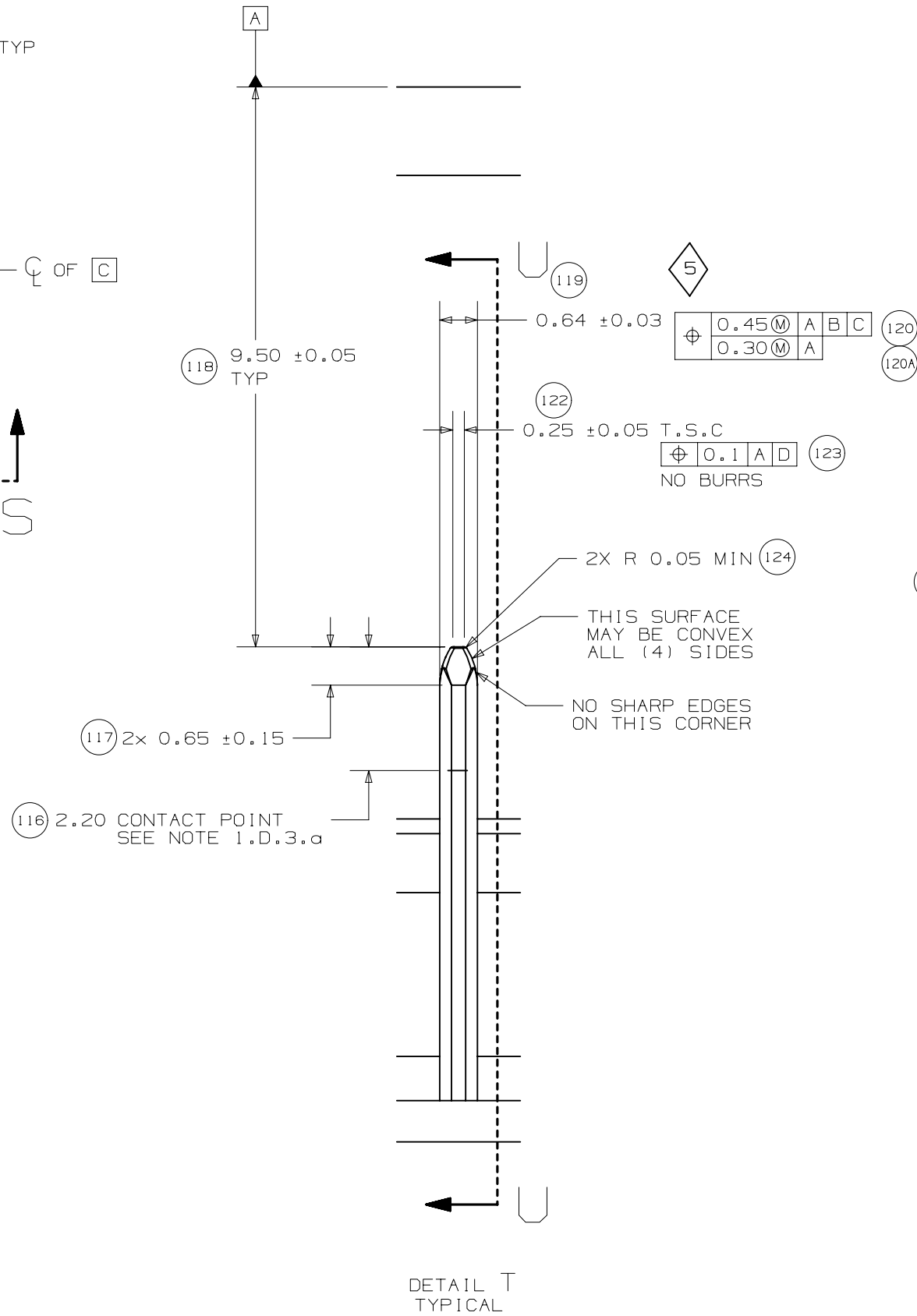
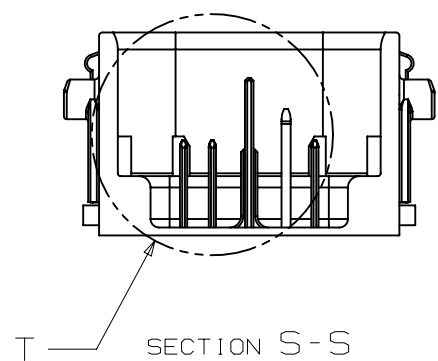
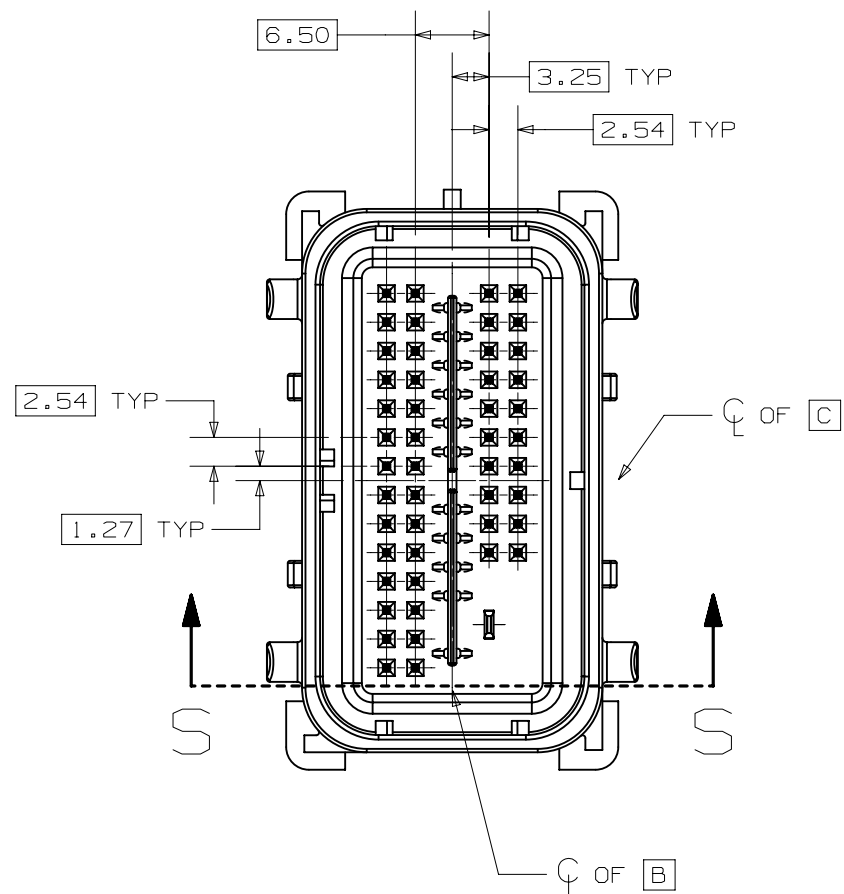
DWG STATUS			PAGE NUMBER
ST	REV	PD1	
R	001		17 of 22

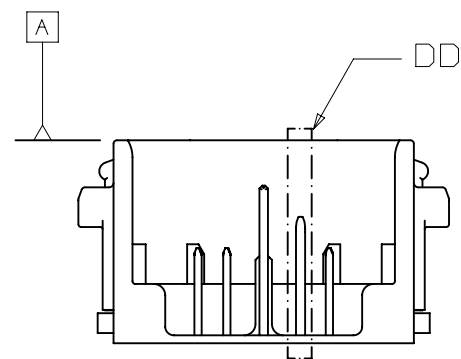
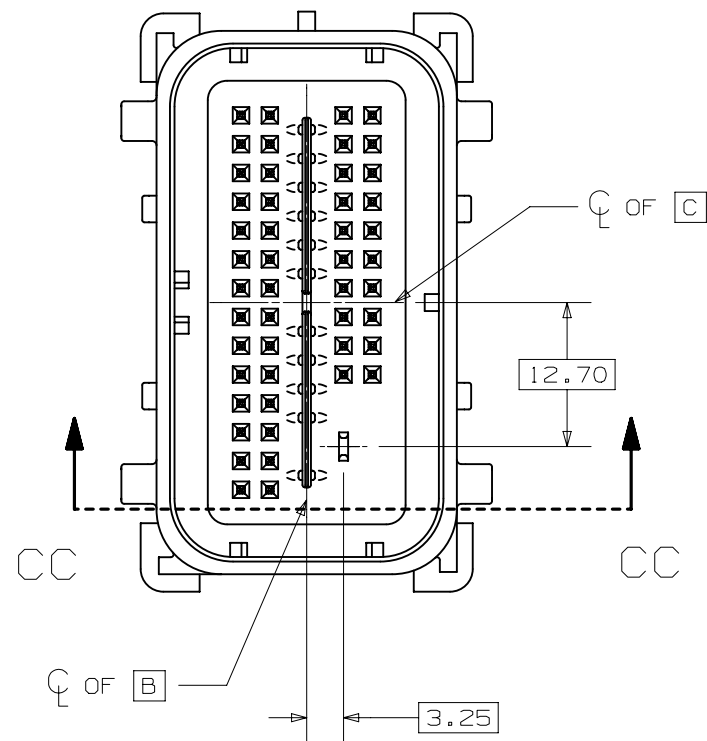


CKT	DIM 077
49 / 56 CKT	32.60 +0.10/-0.80
18 CKT	10.04 +0.10/-0.80

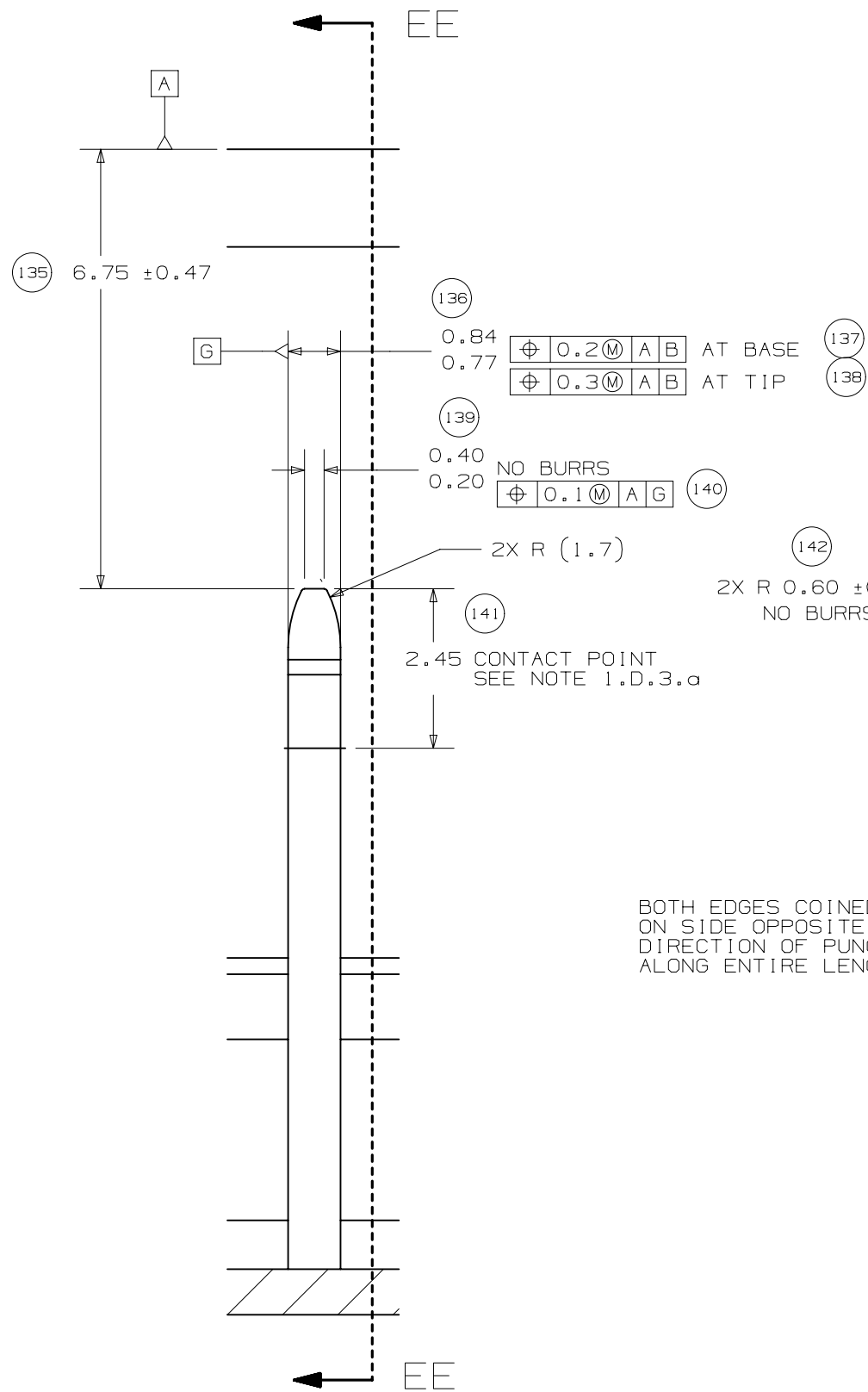




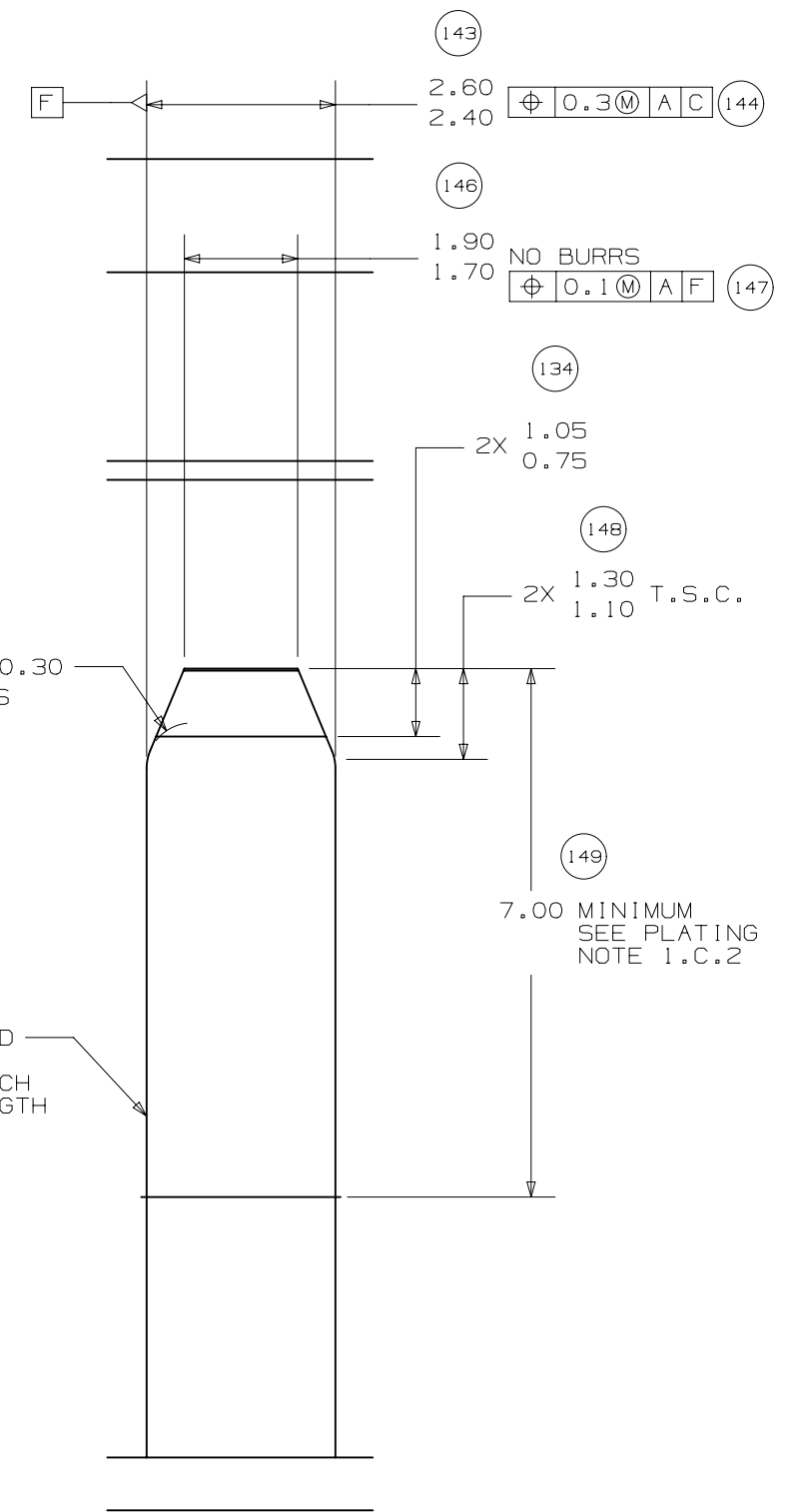




SECTION CC-CC

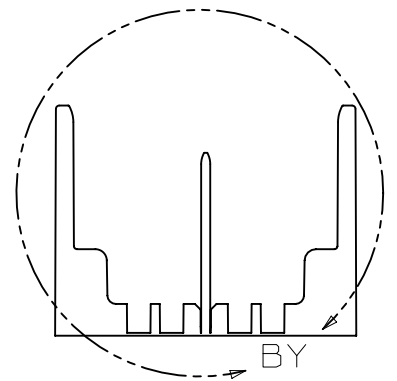
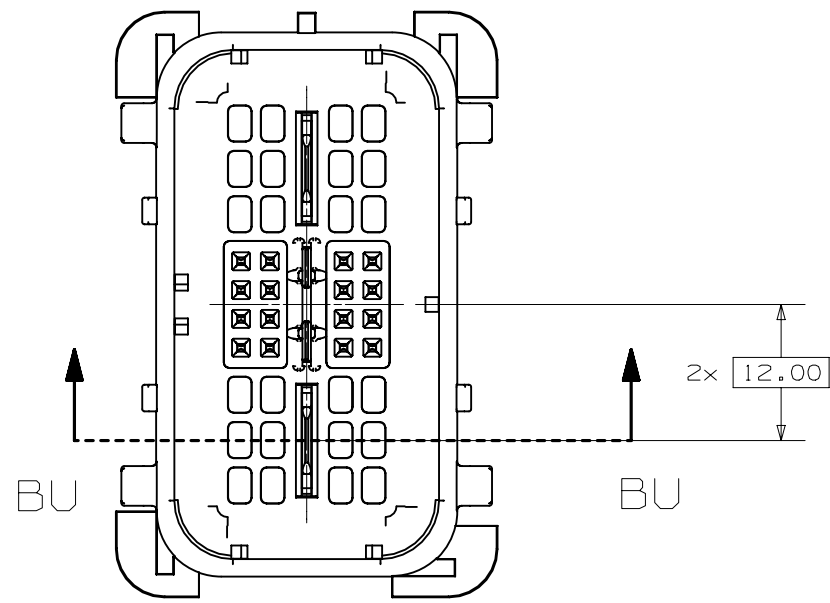


DETAIL DD  
TYPICAL

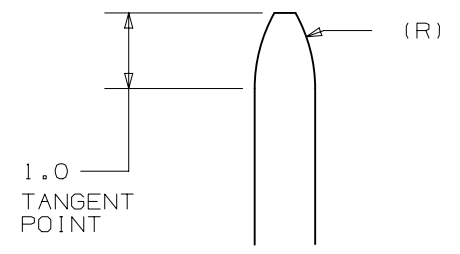


SECTION EE-EE  
TYPICAL

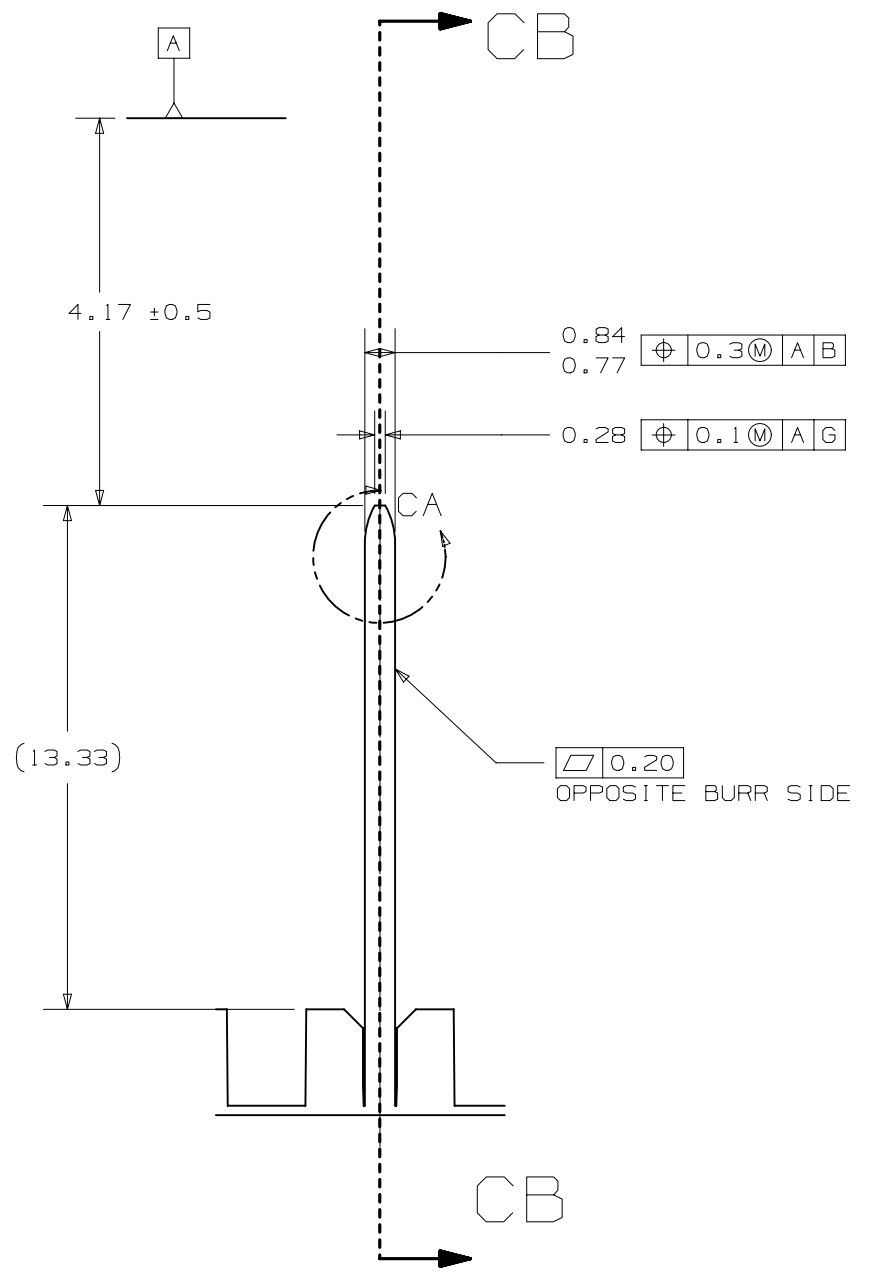




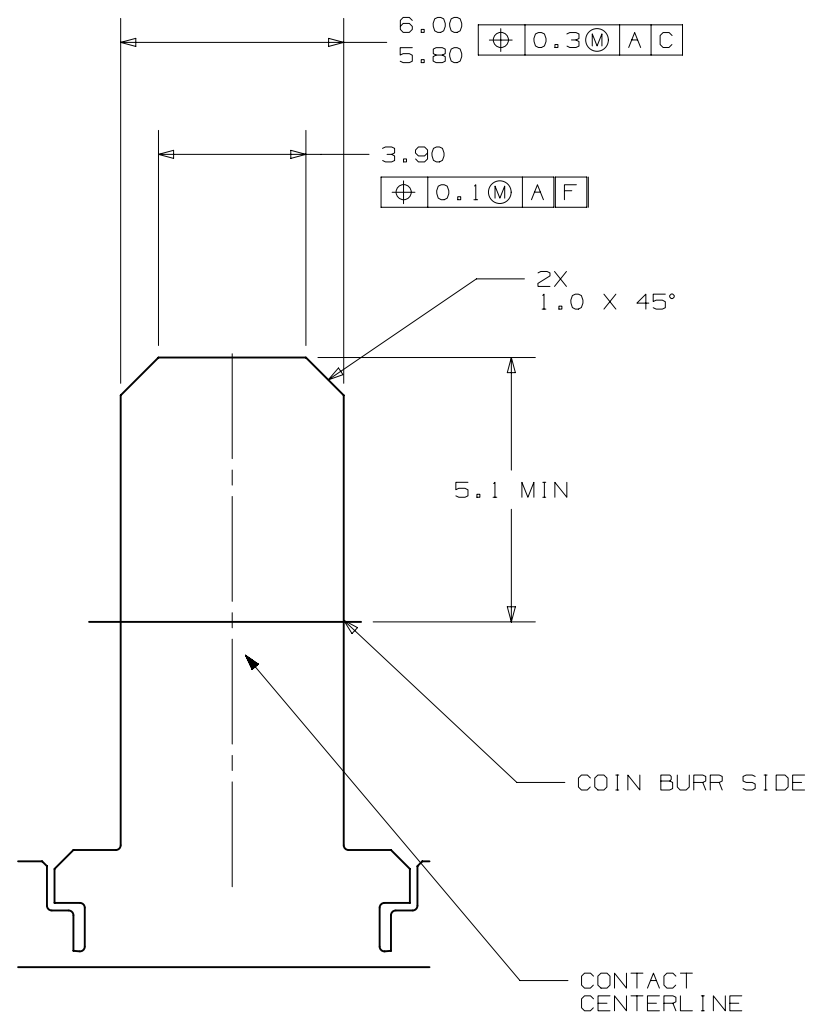
SECTION BU-BU



VIEW CA  
SCALE 10:1



VIEW BY  
SCALE 5:1



SECTION CB-CB



PAGE TITLE  
COMPONENT CONNECTOR INTERFACE

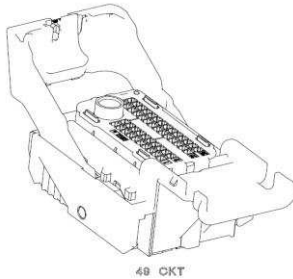
DRAWING NUMBER  
12642694

DWG STATUS		
ST	REV	PD1
R	001	

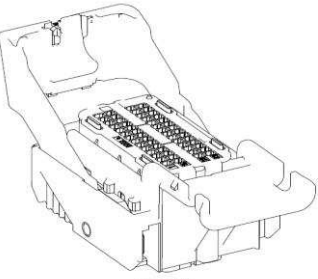
PAGE NUMBER  
22 OF 22



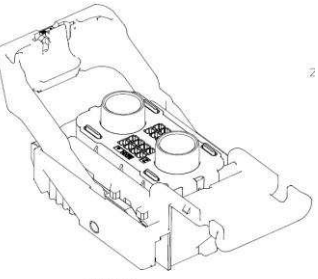
# MX123 18/28/42/49/56-WAY RECEPTACLE ASSY SEALED PIN OUT SHEET



48 CKT



56 CKT



18 CKT

UNCHECKED cavity number(s) are OPEN

56	55	54	53	52	51	50	49	48	47	46	45	44	43
<input type="checkbox"/>	<input type="checkbox"/>	<input type="checkbox"/>	<input type="checkbox"/>	<input type="checkbox"/>	<input type="checkbox"/>	<input type="checkbox"/>	<input checked="" type="checkbox"/>	<input checked="" type="checkbox"/>	<input checked="" type="checkbox"/>	<input checked="" type="checkbox"/>	<input type="checkbox"/>	<input checked="" type="checkbox"/>	<input checked="" type="checkbox"/>
42	41	40	39	38	37	36	35	34	33	32	31	30	29
<input type="checkbox"/>	<input type="checkbox"/>	<input type="checkbox"/>	<input type="checkbox"/>	<input checked="" type="checkbox"/>	<input checked="" type="checkbox"/>	<input checked="" type="checkbox"/>	<input type="checkbox"/>	<input type="checkbox"/>	<input checked="" type="checkbox"/>	<input checked="" type="checkbox"/>	<input checked="" type="checkbox"/>	<input checked="" type="checkbox"/>	<input checked="" type="checkbox"/>
28	27	26	25	24	23	22	21	20	19	18	17	16	15
<input type="checkbox"/>	<input type="checkbox"/>	<input checked="" type="checkbox"/>	<input checked="" type="checkbox"/>	<input checked="" type="checkbox"/>	<input checked="" type="checkbox"/>	<input checked="" type="checkbox"/>	<input checked="" type="checkbox"/>	<input checked="" type="checkbox"/>	<input checked="" type="checkbox"/>	<input type="checkbox"/>	<input type="checkbox"/>	<input type="checkbox"/>	<input checked="" type="checkbox"/>
14	13	12	11	10	9	8	7	6	5	4	3	2	1
<input type="checkbox"/>	<input type="checkbox"/>	<input checked="" type="checkbox"/>	<input checked="" type="checkbox"/>	<input checked="" type="checkbox"/>	<input checked="" type="checkbox"/>	<input checked="" type="checkbox"/>	<input checked="" type="checkbox"/>	<input checked="" type="checkbox"/>	<input checked="" type="checkbox"/>	<input checked="" type="checkbox"/>	<input type="checkbox"/>	<input type="checkbox"/>	<input checked="" type="checkbox"/>

FOR ADDITIONAL INFORMATION SEE SD-34576-001

STATUS	GM PART #	HRNS CONN ASSY			TPA GROMMET CAP																			
		MATERIAL/PART	WIRE DRESS OPTION	KEY OPTION Fp	COLOR OPTION Fp	NUMBERS INDICATE CAVITIES OPEN FOR CIRCUITS																		
		NUMBER				Fp																		
SALEABLE	12672838	34576-0103	0	A	BLACK																			
CONCEPT ONLY	12672840	34576-0203	0	B	ST GRY	48	47	46	45	44	43	42	41	40	39	38	37	36	35					
SALEABLE	12672842	34576-0303	0	C	BLUE	34	33	32	31	30	29	28	27	26	25	24	23	22	21					
CONCEPT ONLY	TBD	34576-0403	0	D	BROWN	49									20	19	18	17	16	15	14	13	12	11
CONCEPT ONLY	TBD	34576-0503	0	E	GREEN										10	9	8	7	6	5	4	3	2	1
CONCEPT ONLY	TBD	34576-0603	0	F	NATURAL																			
SALEABLE	12672848	34576-0703	0	G	BLUE																			
SALEABLE	12672846	34576-0803	0	H	ST GRY	56	55	54	53	52	51	50	49	48	47	46	45	44	43					
TOOL DES. REL.	12672844	34576-0903	0	J	BLACK	42	41	40	39	38	37	36	35	34	33	32	31	30	29					
TOOL DES. REL.	TBD	34576-1003	0	K	BROWN	28	27	26	25	24	23	22	21	20	19	18	17	16	15					
TOOL DES. REL.	TBD	34576-1103	0	L	GREEN	14	13	12	11	10	9	8	7	6	5	4	3	2	1					
TOOL DES. REL.	TBD	34576-1203	0	M	NATURAL																			
SALEABLE	12672839	34576-1303	9	A	BLACK																			
CONCEPT ONLY	12672841	34576-1403	9	B	ST GRY	48	47	46	45	44	43	42	41	40	39	38	37	36	35					
SALEABLE	12672843	34576-1503	9	C	BLUE	34	33	32	31	30	29	28	27	26	25	24	23	22	21					
CONCEPT ONLY	TBD	34576-1603	9	D	BROWN	49									20	19	18	17	16	15	14	13	12	11
CONCEPT ONLY	TBD	34576-1703	9	E	GREEN										10	9	8	7	6	5	4	3	2	1
CONCEPT ONLY	TBD	34576-1803	9	F	NATURAL																			
SALEABLE	12672849	34576-1903	9	G	BLUE																			



**MX123 18/28/42/49/56-WAY RECEPTACLE ASSY SEALED PIN OUT SHEET**

STATUS	GM PART #	HRNS CONN ASSY			TPA GROMMET CAP																
		MATERIAL/PART	WIRE DRESS OPTION	KEY OPTION	COLOR OPTION	NUMBERS INDICATE CAVITIES OPEN FOR CIRCUITS															
		NUMBER		OPTION	OPTION																
TOOL DES. REL.	12672847	34576-2003	9	H	ST GRY	56	55	54	53	52	51	50	49	48	47	46	45	44	43		
TOOL DES. REL.	12672845	34576-2103	9	J	BLACK	42	41	40	39	38	37	36	35	34	33	32	31	30	29		
TOOL DES. REL.	TBD	34576-2203	9	K	BROWN	28	27	26	25	24	23	22	21	20	19	18	17	16	15		
TOOL DES. REL.	TBD	34576-2303	9	L	GREEN	14	13	12	11	10	9	8	7	6	5	4	3	2	1		
TOOL DES. REL.	TBD	34576-2403	9	M	NATURAL																
SALEABLE	12672834	34851-0007	0	G	BLUE																
SALEABLE	12672836	34851-0008	0	H	ST GRY	18				17	16	15	14	1							
										13	12	11	10								
										9	8	7	6								
										5	4	3	2								
SALEABLE	12672835	34851-0019	9	G	BLUE																
SALEABLE	12672837	34851-0020	9	H	ST GRY	18				17	16	15	14	1							
										13	12	11	10								
										9	8	7	6								
										5	4	3	2								
CONCEPT ONLY		160095-0001	0	A	BLACK																
CONCEPT ONLY		160095-0002	0	B	ST GRY	27				26	25	24	23	22	21	1					
CONCEPT ONLY		160095-0003	0	C	BLUE	28				20	19	18	17	16	15	2					
										14	13	12	11	10	9						
										8	7	6	5	4	3						
CONCEPT ONLY		160095-0013	9	A	BLACK																
CONCEPT ONLY		160095-0014	9	B	ST GRY	1				21	22	23	24	25	26	27					
CONCEPT ONLY		160095-0015	9	C	BLUE	2				15	16	17	18	19	20	28					
										9	10	11	12	13	14						
										3	4	5	6	7	8						
CONCEPT ONLY		160051-0001	0	A	BLACK																
CONCEPT ONLY		160051-0003	0	C		1	2	3	4	5	6	7	8	9	10	42					
						11	12	13	14	15	16	17	18	19	20						
						41				21	22	23	24	25	26	27	28	29	30		
										31	32	33	34	35	36	37	38	39	40		
CONCEPT ONLY		160051-0013	9	A	BLACK																





**MX123 18/28/42/49/56-WAY RECEPTACLE ASSY SEALED PIN OUT SHEET**

STATUS	GM PART #	HRNS CONN ASSY			TPA GROMMET CAP																
		MATERIAL/PART	WIRE DRESS OPTION	KEY OPTION	COLOR OPTION	NUMBERS INDICATE CAVITIES OPEN FOR CIRCUITS															
		NUMBER		OPTION																	
CONCEPT ONLY		160051-0015	9	C	BLUE	40	39	38	37	36	35	34	33	32	31	41					
						30	29	28	27	26	25	24	23	22	21						
						42				20	19	18	17	16	15	14	13	12	11		
SALEABLE	NOT APPLICABLE	34576-2503	0	G	BLUE	56	55	54	53				49	48	47			44			
								40				37	36	35	34	33					
																20	19	18			
								13	12			9		7	6				2		
SALEABLE	NOT APPLICABLE	34576-2603	0	G	BLUE	56	55	54	53				49	48	47			44			
								40				37	36	35	34	33					
																20	19	18			
								13	12			9		7	6						
SALEABLE	NOT APPLICABLE	34576-2703	0	G	BLUE																
SALEABLE	NOT APPLICABLE	34576-2803	0	G	BLUE		55	54	53			51		49	48	47			44		
								40				37	36	35	34	33					
								26							20	19	18				
								13	12			9		7							
SALEABLE	NOT APPLICABLE	34576-2903	0	G	BLUE	56	55		53				49	48	47	46	45	44			
								40	39			37	36	35	34	33			30		
									25						20	19	18				
								13	12			9		7							
SALEABLE	NOT APPLICABLE	34576-3003	0	G	BLUE	56	55	54	53				49	48	47			44			
								40				37	36	35	34	33			29		
															20	19	18		16		
								13	12			9		7	6				2		
SALEABLE	NOT APPLICABLE	34576-3103	0	G	BLUE	56	55	54	53				49	48	47	46	45	44			
								40	39			37	36	35	34	33					
															20	19	18				
								13	12			9		7							
SALEABLE	NOT APPLICABLE	34576-3203	0	G	BLUE		55	54	53				49	48	47	46		44			
								40				37	36	35	34	33	32	31			
								26							20	19	18				
								13	12			9		7							



MX123 18/28/42/49/56-WAY RECEPTACLE ASSY SEALED PIN OUT SHEET

STATUS	GM PART #	HRNS CONN ASSY			TPA GROMMET CAP																								
		MATERIAL/PART	WIRE DRESS OPTION	KEY OPTION ▽ Fp	COLOR OPTION ▽ Fp	NUMBERS INDICATE CAVITIES OPEN FOR CIRCUITS ▽ Fp																							
		NUMBER				56	55	54						49	48	47			44										
SALEABLE	NOT APPLICABLE	34576-3303	0	G	BLUE																								





**MX123 18/28/42/49/56-WAY RECEPTACLE ASSY SEALED PIN OUT SHEET**

STATUS	GM PART #	HRNS CONN ASSY			TPA GROMMET CAP															
		MATERIAL/PART	WIRE DRESS OPTION	KEY OPTION	COLOR OPTION	NUMBERS INDICATE CAVITIES OPEN FOR CIRCUITS														
		NUMBER		OPTION																
SALEABLE	NOT APPLICABLE	34576-5103	0	G	BLUE		55		53		51		49	48	47				44	
								40			37	36	35	34	33					29
								26		24				20	19	18			16	15
							13	12			9		7			4			2	
SALEABLE	NOT APPLICABLE	34576-5203	0	G	BLUE	56	55	54	53				49	48	47				44	
								40	39		37	36	35	34	33					29
														20	19	18				15
							13	12			9		7							
TOOL DES. REL.	NOT APPLICABLE	34576-5303	9	G	BLUE															
SALEABLE	NOT APPLICABLE	34576-5403	0	G	BLUE		55		53		51		49	48	47				44	
								40	39		37	36	35	34	33				30	
								26	25		22	21	20	19	18				16	
							13	12			9		7			4			2	1
SALEABLE	NOT APPLICABLE	34576-5503	0	G	BLUE	56	55		53		51		49	48	47				44	
								40	39		37	36	35	34	33				30	
									25			22	21	20	19	18			16	
							13	12			9		7			4			2	1
SALEABLE	NOT APPLICABLE	34576-5603	0	G	BLUE	56	55		53				49	48	47	46			44	
								40	39		37	36	35	34	33	32	31		30	
									25			22	21	20	19	18			16	
							13	12			9		7			4			2	1
SALEABLE	NOT APPLICABLE	34576-5703	0	G	BLUE		55		53				49	48	47	46			44	
								40	39		37	36	35	34	33	32	31		30	
								26	25		22	21	20	19	18				16	
							13	12			9		7			4			2	1
SALEABLE	NOT APPLICABLE	34576-5803	0	G	BLUE		55		53				49	48	47	46	45		44	
								40	39		37	36	35	34	33					
								26	25					20	19	18				
							13	12			9		7							
SALEABLE	NOT APPLICABLE	34576-5903	0	G	BLUE	56			53	52					47			45		43
							41	40	39	38				34	33			31	30	29
							28	27	26	25	24				20	19	18		16	
							13	12	11	10								3	2	



**MX123 18/28/42/49/56-WAY RECEPTACLE ASSY SEALED PIN OUT SHEET**

STATUS	GM PART #	HRNS CONN ASSY			TPA GROMMET CAP														
		MATERIAL/PART	WIRE DRESS OPTION	KEY OPTION ▽ Fp	COLOR OPTION ▽ Fp	NUMBERS INDICATE CAVITIES OPEN FOR CIRCUITS ▽ Fp													
		NUMBER				56			53	52		50			47		45		43
SALEABLE	NOT APPLICABLE	34576-6003	0	G	BLUE			40	39	38				34	33		31	30	29
						28	27	26	25	24				20	19	18		16	
						14	13	12	11	10					5	4	3	2	
SALEABLE	NOT APPLICABLE	34576-6103	0	G	BLUE	56	55	54	53		51		49	48	47				44
								40	39		37	36	35	34	33				29
													20	19	18			16	15
							13	12			9		7			4		2	
SALEABLE	NOT APPLICABLE	34576-6203	0	G	BLUE		55	54	53			49	48	47	46	45	44		
								40			37	36	35	34	33				
								26						20	19	18			
							13	12			9		7						
SALEABLE	NOT APPLICABLE	34576-6303	0	G	BLUE		55	54	53		51		49	48	47				44
								40	39		37	36	35	34	33				29
								26						20	19	18			16
							13	12			9		7			4		2	
SALEABLE	NOT APPLICABLE	34576-6403	0	G	BLUE		55	54				49	48	47					44
							41	40			37	36	35	34	33				
														20	19	18			
							13	12			9	8	7				3		
SALEABLE	NOT APPLICABLE	34576-6503	0	G	BLUE			54						47	46	45			43
							41	40	39	38	37				33	32	31	30	29
						28	27	26	25	24	23			20	19	18			16
							13	12	11	10	9						3	2	
SALEABLE	NOT APPLICABLE	34576-6603	0	G	BLUE			54						47	46	45			43
							41	40	39	38	37			34	33	32	31	30	29
						28	27	26	25	24	23			20	19	18			16
							13	12	11	10	9						3	2	
SALEABLE	NOT APPLICABLE	34576-6703	0	G	BLUE		55			52	51			48		46	45		43
							41	40	39	38					33	32	31	30	29
						28		26	25	24				20	19	18			16
							13	12	11	10							3	2	1
SALEABLE	NOT APPLICABLE	34576-6803	0	G	BLUE					52				48		46	45		43
							41	40	39	38					33	32	31	30	29
						28		26	25	24				20	19	18			16
							13	12	11	10							3	2	1



**MX123 18/28/42/49/56-WAY RECEPTACLE ASSY SEALED PIN OUT SHEET**

STATUS	GM PART #	HRNS CONN ASSY			TPA GROMMET CAP															
		MATERIAL/PART	WIRE DRESS OPTION	KEY OPTION ▽ Fp	COLOR OPTION ▽ Fp	NUMBERS INDICATE CAVITIES OPEN FOR CIRCUITS ▽ Fp														
		NUMBER				56	55	54	53		51	50	49		47			44		
SALEABLE	NOT APPLICABLE	34576-6813	0	G	BLUE	42	27		25		23	22	21			17				
SALEABLE	NOT APPLICABLE	34576-6823	0	G	BLUE	56		54	53			50	49		47			44		
SALEABLE	NOT APPLICABLE	34576-6833	0	G	BLUE	14			11		9	8	7	6	5	4				
SALEABLE	NOT APPLICABLE	34576-6843	0	G	BLUE	56		54	53	52					47	46	45	43		
SALEABLE	NOT APPLICABLE	34576-6853	0	G	BLUE	28	27	26	25	24	23			20	19	18		16		
SALEABLE	NOT APPLICABLE	34576-6863	0	G	BLUE															
SALEABLE	NOT APPLICABLE	34576-6873	0	G	BLUE															
SALEABLE	NOT APPLICABLE	34576-6883	0	G	BLUE															
SALEABLE	NOT APPLICABLE	34576-6893	0	G	BLUE															



**MX123 18/28/42/49/56-WAY RECEPTACLE ASSY SEALED PIN OUT SHEET**

STATUS	GM PART #	HRNS CONN ASSY			TPA GROMMET CAP																
		MATERIAL/PART	WIRE DRESS OPTION	KEY OPTION ▽ Fp	COLOR OPTION ▽ Fp	NUMBERS INDICATE CAVITIES OPEN FOR CIRCUITS ▽ Fp															
		NUMBER																			
SALEABLE	NOT APPLICABLE	34576-6913	9	G	BLUE			54	53							47	46	45		43	
							41	40		38					33	32	31	30	29		
						28	27	26	25	24				20	19	18		16			
							13	12	11	10		8						3	2		
SALEABLE	NOT APPLICABLE	34576-6923	9	G	BLUE			54	53							47	46	45		43	
							41	40	39	38					33	32	31	30	29		
						28	27	26	25	24	23			20	19	18		16			
							13	12	11	10	9	8						3	2		
TOOL DES. REL.	NOT APPLICABLE	34851-0025	0	G	BLUE	18											1				
TOOL DES. REL.	NOT APPLICABLE	34851-0026	0	H	ST GRV	18											1				
SALEABLE	NOT APPLICABLE	34576-6933	0	G	BLUE		55	54	53				49	48	47	46	45	44			
								40			37	36	35	34	33						
								26						20	19	18					
							13	12			9		7								
SALEABLE	NOT APPLICABLE	34576-6943	0	G	BLUE			54	53						47	46	45		43		
							41	40		38					33	32	31	30	29		
						28		26	25	24				20	19	18		16			
							13	12	11	10		8						3	2		
SALEABLE	NOT APPLICABLE	34576-6953	0	G	BLUE			54	53						47	46	45		43		
							41	40	39	38					33	32	31	30	29		
						28	27	26	25	24	23			20	19	18		16			
							13	12	11	10	9	8						3	2		
SALEABLE	NOT APPLICABLE	34576-6963	0	G	BLUE		56		54	53	52				47	46	45		43		
								41	40	39	38				34	33	32	31	30	29	
						28	27	26	25	24	23			20	19	18		16			
							13	12	11	10	9	8						3	2		
SALEABLE	NOT APPLICABLE	34576-6973	0	G	BLUE		56				52	51	50						43		
							42	41		39	38						32	31	30	29	
						28	27		25	24	23	22	21					17	16	15	
							14			11	10		8		6	5	4	3	2	1	



MX123 18/28/42/49/56-WAY RECEPTACLE ASSY SEALED PIN OUT SHEET

STATUS	GM PART #	HRNS CONN ASSY			TPA GROMMET CAP																			
		MATERIAL/PART	WIRE DRESS OPTION	KEY OPTION ▽ Fp	COLOR OPTION ▽ Fp	NUMBERS INDICATE CAVITIES OPEN FOR CIRCUITS ▽ Fp																		
		NUMBER																						
SALEABLE	NOT APPLICABLE	34576-6983	0	G	BLUE			54	53									46		44				
								40	39	38	37	36							32	31	30			
									25	24	23	22	21	20	19									2
									11	10	9	8	7	6	5	4								
SALEABLE	NOT APPLICABLE	34576-6993	0	G	BLUE	56	55	54	53	52	51						47	46	45		43			
							41	40		38						33	32	31	30	29				
						28	27	26	25	24				20	19	18						16		
							13	12	11	10		8								3	2			
SALEABLE	NOT APPLICABLE	34576-7003	0	G	BLUE	56	55	54		52	51					47	46	45		43				
							41	40		38					33	32	31	30	29					
						28	27	26	25	24				20	19	18						16		
							13	12	11	10		8								3	2			
SALEABLE	NOT APPLICABLE	34576-7013	0	G	BLUE	56	55	54	53	52	51					47	46	45		43				
							41	40		38					34	33	32	31	30	29				
						28	27	26	25	24				20	19	18						16		
							13	12	11	10		8								3	2			
SALEABLE	NOT APPLICABLE	34576-7023	0	G	BLUE	56	55	54		52	51					47	46	45		43				
							41	40		38					34	33	32	31	30	29				
						28	27	26	25	24				20	19	18						16		
							13	12	11	10		8								3	2			
SALEABLE	NOT APPLICABLE	34576-7033	0	G	BLUE	56		54	53	52						47	46	45		43				
							41	40		38						33	32	31	30	29				
						28	27	26	25	24				20	19	18						16		
							13	12	11	10		8								3	2			
SALEABLE	NOT APPLICABLE	34576-7043	0	G	BLUE	56		54		52						47	46	45		43				
							41	40		38						33	32	31	30	29				
						28	27	26	25	24				20	19	18						16		
							13	12	11	10		8								3	2			
SALEABLE	NOT APPLICABLE	34576-7053	0	G	BLUE	56		54	53	52						47	46	45		43				
							41	40		38					34	33	32	31	30	29				
						28	27	26	25	24				20	19	18						16		
							13	12	11	10		8								3	2			
SALEABLE	NOT APPLICABLE	34576-7063	0	G	BLUE	56		54		52						47	46	45		43				
							41	40		38					34	33	32	31	30	29				
						28	27	26	25	24				20	19	18						16		
							13	12	11	10		8								3	2			









**MX123 18/28/42/49/56-WAY RECEPTACLE ASSY SEALED PIN OUT SHEET**

STATUS	GM PART #	HRNS CONN ASSY			TPA GROMMET CAP															
		MATERIAL/PART	WIRE DRESS OPTION	KEY OPTION ▽ Fp	COLOR OPTION ▽ Fp	NUMBERS INDICATE CAVITIES OPEN FOR CIRCUITS ▽ Fp														
		NUMBER																		
SALEABLE	NOT APPLICABLE	34851-0027	0	G	BLUE	18										1				
						9					7					6				
						5					3					2				
SALEABLE	NOT APPLICABLE	34851-0028	0	H	ST GRY	18										1				
						17	16	15	14							10				
																6				
						5	4	3	2											
SALEABLE	NOT APPLICABLE	34576-7253	0	G	BLUE	56		54	53	52					47	46	45		43	
						41	40	39	38						33	32	31	30	29	
						28	27	26	25	24	23			20	19	18		16		
							13	12	11	10	9	8					3	2		
SALEABLE	NOT APPLICABLE	34576-7263	0	G	BLUE	56	55	54	53	52	51	50					45		43	
						42	41	40	39				35	34	33					
						28	27								18		16			
						14	13									3	2			
SALEABLE	NOT APPLICABLE	34576-7273	0	G	BLUE	56	55	54	53	52	51	50					45			
						42	41	40	39				35	34	33					
						28	27								18		16			
						14	13									3	2			
SALEABLE	NOT APPLICABLE	34576-7283	0	G	BLUE			54	53						47	46	45		43	
							41	40		38				34	33	32	31	30	29	
						28	27	26	25	24				20	19	18		16		
							13	12	11	10		8		6			3	2		
SALEABLE	NOT APPLICABLE	34576-7293	9	G	BLUE			54	53				49	48	47	46	45		43	
							41	40		38					33	32	31	30	29	
						28	27	26	25	24				20	19	18		16	15	
							13	12	11	10		8		6			3	2	1	
SALEABLE	NOT APPLICABLE	34576-7303	0	G	BLUE	56	55			52	51	50					45			
						42	41						35	34	33					
						28	27								18		16			
						14	13									3				
SALEABLE	NOT APPLICABLE	34576-7313	0	G	BLUE	56	55	54	53	52	51	50					45			
						42	41	40	39				35	34	33					
						28	27				23				18	17	16			
						14	13				9					3	2			



**MX123 18/28/42/49/56-WAY RECEPTACLE ASSY SEALED PIN OUT SHEET**

STATUS	GM PART #	HRNS CONN ASSY			TPA GROMMET CAP															
		MATERIAL/PART	WIRE DRESS OPTION	KEY OPTION	COLOR OPTION	NUMBERS INDICATE CAVITIES OPEN FOR CIRCUITS														
		NUMBER		OPTION																
SALEABLE	NOT APPLICABLE	34576-7323	0	G	BLUE	56	55	54	53	52	51	50					45			
						42	41	40	39				35	34	33					
						28	27				23					18		16		
						14	13				9						3	2		
SALEABLE	NOT APPLICABLE	34576-7333	0	G	BLUE	56	55	54	53	52	51	50					45			
						42	41	40	39				35	34	33					
						28	27									18	17	16		
						14	13										3	2		
SALEABLE	NOT APPLICABLE	34576-7343	0	G	BLUE	56	55			52	51	50				46	45			
						42	41								33					
						28	27						21			18	17	16		
						14	13										3			
SALEABLE	NOT APPLICABLE	34576-7353	0	G	BLUE	56			53	52		50			47	46	45		43	
								40		38				34	33	32	31	30	29	
						28	27	26	25	24				20	19	18		16		
							13	12	11	10		8					3	2		
SALEABLE	NOT APPLICABLE	34851-0029	9	G	BLUE	18								14	1					
													11	10						
												8	7							
												4	3	2						
SALEABLE	NOT APPLICABLE	34576-7363	0	H	ST. GRAY						51	50		48	47	46	45			
														34	33	32	31		29	
													21	20						
										9	8	7	6		4	3	2	1		
SALEABLE	NOT APPLICABLE	34576-7373	9	G	BLUE					52				48	47				43	
								40			37	36		34				30		
									24					20					15	
						14							7							
SALEABLE	NOT APPLICABLE	34851-0030	0	H	ST. GRAY	18					17	16	15	14	1					
														10						
														6						
													4	3	2					
SALEABLE	NOT APPLICABLE	34576-9113	0	A	BLACK	49														







**MX123 18/28/42/49/56-WAY RECEPTACLE ASSY SEALED PIN OUT SHEET**

STATUS	GM PART #	HRNS CONN ASSY			TPA GROMMET CAP															
		MATERIAL/PART	WIRE DRESS OPTION	KEY OPTION ▽ Fp	COLOR OPTION ▽ Fp	NUMBERS INDICATE CAVITIES OPEN FOR CIRCUITS ▽ Fp														
		NUMBER				48	47	46	45	44	43	42	41	40	39	38	37	36	35	
SALEABLE	NOT APPLICABLE	34576-7553	0	A	BLACK	34	33	32	31		29			26	25	24	23		21	
						49						8	7					3		11
SALEABLE	NOT APPLICABLE	34576-7563	0	C	BLUE	48	47	46	45	44			41	40	39	38	37	36		
						34	33	32		30						24	23			21
						49						18	17	16	15	14	13	12		
SALEABLE	NOT APPLICABLE	34576-7573	0	G	BLUE					52	51	50					45	43		
													35	34	33	32				
						28	27	26								18				
SALEABLE	NOT APPLICABLE	34576-7583	0	G	BLUE	14	13	12					7	6			3	1		
										52	51	50					45		43	
																	32			
SALEABLE	NOT APPLICABLE	34576-7593	0	G	BLUE	28	27	26								18			15	
						14	13	12					7	6			3			1
										52	51	50						45		43
SALEABLE	NOT APPLICABLE	34576-7603	0	G	BLUE					52	51	50					45	44	43	
						42	41				37	36	35	34	33	32			30	
						28	27	26		24		22		20	19				16	15
SALEABLE	NOT APPLICABLE	34576-7613	9	C	BLUE	14	13	12		10		8	7	6				1		
						48	47		45	44			41	40	39	38	37	36		
						34	33	32		30						24	23			21
SALEABLE	NOT APPLICABLE	34576-7623	9	A	BLACK	49						18	17	16	15	14	13	12	1	
										10	9	8	7	6	5		3	2		
						48	47	46	45	44	43	42		40	39	38				
SALEABLE	NOT APPLICABLE	34576-7633	0	A	BLACK	34	33	32	31		29	28		26	25	24	23		21	
						49						8	7					3		11
SALEABLE	NOT APPLICABLE	34576-7633	0	A	BLACK	48	47	46	45	44			41	40	39	38	37	36		
						34	33	32		30						24	23			21
						49						18	17	16	15	14	13	12		
				10	9	8	7	6	5			3	2				1			



**MX123 18/28/42/49/56-WAY RECEPTACLE ASSY SEALED PIN OUT SHEET**

STATUS	GM PART #	HRNS CONN ASSY			TPA GROMMET CAP																	
		MATERIAL/PART	WIRE DRESS OPTION	KEY OPTION ▽ Fp	COLOR OPTION ▽ Fp	NUMBERS INDICATE CAVITIES OPEN FOR CIRCUITS ▽ Fp																
		NUMBER																				
SALEABLE	NOT APPLICABLE	34576-7643	0	G	BLUE	42	41												30	29		
						28		26			23			20			17					15
						14					9											
SALEABLE	NOT APPLICABLE	34576-7653	0	C	BLUE	48	47	46	45					40		38	37	36				
						34		32	31		29				25	24	23	22				
						49				20	19	18	17	16						12		
						10	9						5				2	1				
SALEABLE	NOT APPLICABLE	34576-7663	9	A	BLACK	48	47	46	45					40		38	37	36				
						34		32	31		29				25	24	23	22				
						49				20	19	18	17	16						12		
						10	9					5				2	1					
SALEABLE	NOT APPLICABLE	34576-7673	0	C	BLUE	48	47	46	45	44			41	40	39	38	37	36				
						34	33	32		30		28	27			24	23					21
						49						18	17			15	14	13	12			
						10	9	8	7	6	5				3	2	1					
SALEABLE	NOT APPLICABLE	34576-7683	0	A	BLACK	48		46		44	43	42			39	38			35			
						34		32	31		29	28			25	24	23					21
						49				20	19						14					
						10	9	8	7						3			1				
SALEABLE	NOT APPLICABLE	34576-7693	0	G	BLUE											46	45		43			
																32						
						28	27	26								18						
	14	13	12						7	6					3			1				
SALEABLE	NOT APPLICABLE	34576-7703	0	G	BLUE					52	51	50				46	45		43			
														35	34	33	32					
						28	27	26								18						
	14	13	12						7	6					3			1				
SALEABLE	NOT APPLICABLE	34576-7713	0	G	BLUE					52	51	50				46	45		43			
														35	34	33	32					
						28	27	26								18						
	14	13	12						7	6				4	3			1				
SALEABLE	NOT APPLICABLE	34576-7723	9	C	BLUE	48	47	46	45	44			41	40	39	38	37	36				
						34	33	32		30						24	23					21
						49						18	17	16	15	14	13	12				
						10	9	8	7	6	5				3	2	1					





MX123 18/28/42/49/56-WAY RECEPTACLE ASSY SEALED PIN OUT SHEET

STATUS	GM PART #	HRNS CONN ASSY			TPA GROMMET CAP															
		MATERIAL/PART	WIRE DRESS OPTION	KEY OPTION ▽ Fp	COLOR OPTION ▽ Fp	NUMBERS INDICATE CAVITIES OPEN FOR CIRCUITS ▽ Fp														
		NUMBER																		
SALEABLE	NOT APPLICABLE	34576-7733	0	A	BLACK					44	43	42	41		39					35
							33			30		28	27	26						21
						49						18	17		15	14	13			11
											8	7	6		4	3				1
SALEABLE	NOT APPLICABLE	34576-7743	0	C	BLUE						43									
									31		29			26	25					22
						49				20	19									11
										52	51	50				4			2	
SALEABLE	NOT APPLICABLE	34576-7753	0	G	BLUE										33	46	45			
						28	27						21			18	17			
						14	13									3				
SALEABLE	NOT APPLICABLE	34576-7763	9	A	BLACK					44	43	42	41		39					35
							33			30		28	27	26						21
						49						18	17			14	13			11
											8	7	6		4	3				
SALEABLE	NOT APPLICABLE	34576-7773	9	A	BLACK	48	47	46	45	44	43			40		38	37	36		
						34		32	31		29	28	27		25	24	23	22		
						49				20	19			16	15			12		
										10	9				5			2	1	
SALEABLE	NOT APPLICABLE	34851-0031	9	H	ST. GRAY	18						16	15		1					
											13	12								
											9	8	7	6						
											5									
SALEABLE	NOT APPLICABLE	34576-7783	9	C	BLUE	48	47	46	45	44			41	40	39	38	37	36		
						34	33	32	31		30		27			24	23	22		21
						49						18	17		15	14	13	12		
										10	9	8	7	6	5		3	2	1	
SALEABLE	NOT APPLICABLE	34576-7793	9	A	BLACK	48	47	46	45					40		38	37	36		
						34		32	31						25	24	23	22		
						49				20	19	18	17	16	15			12		
										10	9				5			2	1	
SALEABLE	NOT APPLICABLE	34576-7803	0	G	BLUE			54	53				49	48	47			44	43	
								40	39	38	37	36	35	34		32	31	30	29	
								26	25	24	23	22		20	19				15	
								12	11	10	9	8	7	6	5	4		2	1	



**MX123 18/28/42/49/56-WAY RECEPTACLE ASSY SEALED PIN OUT SHEET**

STATUS	GM PART #	HRNS CONN ASSY			TPA GROMMET CAP														
		MATERIAL/PART	WIRE DRESS OPTION	KEY OPTION	COLOR OPTION	NUMBERS INDICATE CAVITIES OPEN FOR CIRCUITS													
		NUMBER		▽ Fp		▽ Fp	▽ Fp												
SALEABLE	NOT APPLICABLE	34576-7813	9	C	BLUE	48	47	46	45	44			41	40	39	38	37	36	
						34	33	32		30			27			24	23		21
						49						18	17		15	14	13	12	
SALEABLE	NOT APPLICABLE	34576-7823	0	A	BLACK	48	47	46	45					40		38	37	36	
						34		32	31		29				25	24	23	22	
						49				20	19		17	16				12	
SALEABLE	NOT APPLICABLE	34576-7833	0	C	BLUE	48	47		45	44			41	40	39	38	37	36	35
						34		32		30		28				24		21	
						49						18	17		15	14	13	12	11
SALEABLE	NOT APPLICABLE	34576-7843	9	A	BLACK	48	47	46	45	44	43			40		38	37	36	
						34		32	31		28	27		25	24	23	22		
						49				20	19	18	17	16	15			12	
SALEABLE	NOT APPLICABLE	34576-7853	0	C	BLUE	48	47	46	45	44		42	41	40	39	38	37	36	35
						34	33	32		30	29	28	27			24	23		21
						49				20		18	17	16	15	14	13	12	
SALEABLE	NOT APPLICABLE	34576-7863	9	A	BLACK	48		46			43				39	38		36	35
						34	33		31		29		27		25	24	23		21
						49				20	19								11
SALEABLE	NOT APPLICABLE	34576-7873	9	C	BLUE	48	47	46	45	44	43			40			37	36	
						34	33	32		30			27			24	23		21
						49						18	17		15	14	13	12	
SALEABLE	NOT APPLICABLE	34576-7883	9	A	BLACK	48	47	46	45	44	43			40			37	36	
						34		32	31		29		27		25	24	23	22	
						49				20	19	18		16				12	
SALEABLE	NOT APPLICABLE	34576-7893	9	A	BLACK	48	47	46	45					40		38	37	36	
						34		32	31		29				25	24	23	22	
						49				20	19		17	16					
						10	9					5				2			



**MX123 18/28/42/49/56-WAY RECEPTACLE ASSY SEALED PIN OUT SHEET**

STATUS	GM PART #	HRNS CONN ASSY			TPA GROMMET CAP														
		MATERIAL/PART	WIRE DRESS OPTION	KEY OPTION	COLOR OPTION	NUMBERS INDICATE CAVITIES OPEN FOR CIRCUITS													
		NUMBER		OPTION		Fp													
SALEABLE	NOT APPLICABLE	34576-7903	0	A	BLACK	48	47	46	45					40		38	37	36	
						34		32	31		29				25	24	23	22	
						49				20	19		17	16					12
SALEABLE	NOT APPLICABLE	34576-7913	9	A	BLACK	48		46			43				39	38		36	35
						34	33	32	31		29		27		25	24	23	22	21
						49				20	19								11
SALEABLE	NOT APPLICABLE	34576-7923	0	A	BLACK	48	47	46	45	44	43			40		38	37	36	
						34		32	31		29	28	27		25	24	23	22	
						49				20	19	18	17	16	15				12
SALEABLE	NOT APPLICABLE	34576-7933	0	C	BLUE														
						49				20		18	17	16		14	13	12	
											9	8	7	6				3	
SALEABLE	NOT APPLICABLE	34576-7943	0	A	BLACK	48	47	46	45					40		38	37	36	
						34		32	31		29				25	24	23	22	
						49				20	19			16	15				12
SALEABLE	NOT APPLICABLE	34576-7953	0	G	BLUE					52	51	50				46	45		
														33					
						28	27	26					21			18	17		
SALEABLE	NOT APPLICABLE	34576-7963	9	A	BLACK	48		46			43				39	38		36	35
						34	33	32	31		29		27		25	24	23		21
						49				20	19								11
SALEABLE	NOT APPLICABLE	34576-7973	0	A	BLACK	48	47	46	45	44	43			40		38	37	36	
						34		32	31			28	27		25	24	23	22	
						49				20	19			16	15				12
SALEABLE	NOT APPLICABLE	34576-7983	9	A	BLACK											38			
							33	32			29	28		26	25		23		
						49				20		18		16	15				
						10		8	7	6	5								



**MX123 18/28/42/49/56-WAY RECEPTACLE ASSY SEALED PIN OUT SHEET**

STATUS	GM PART #	HRNS CONN ASSY			TPA GROMMET CAP																		
		MATERIAL/PART	WIRE DRESS OPTION	KEY OPTION ▽ Fp	COLOR OPTION ▽ Fp	NUMBERS INDICATE CAVITIES OPEN FOR CIRCUITS ▽ Fp																	
		NUMBER																					
SALEABLE	NOT APPLICABLE	34576-7993	9	C	BLUE			47			45	44		42		40	39	38	37	36			
						34			32			30			28					24	23		21
						49							9		7			15	14	13	12	11	
SALEABLE	NOT APPLICABLE	34576-8003	0	A	BLACK	48	47	46	45	44	43				40			38	37	36			
						34			32	31			29	28	27			25	24	23	22		
						49						20	19				16					12	
SALEABLE	NOT APPLICABLE	34576-8013	0	H	ST GR Y				54	53	52	51						46	45	44	43		
									40	39	38	37	36	35	34	33							
									26	25													
SALEABLE	NOT APPLICABLE	34576-8023	9	A	BLACK	14	13	12	11				8	7	6	5				2	1		
						48	47	46	45						40					37	36		
						34			32	31			29					25	24	23	22		
SALEABLE	NOT APPLICABLE	34576-8033	9	A	BLACK	49						20	19	18		16				12			
												10	9					5				2	1
SALEABLE	NOT APPLICABLE	34576-8043	9	C	BLUE												38						
								33	32				29	28		26	25			23			
						49						20		18	17	16	15						
SALEABLE	NOT APPLICABLE	34576-8053	0	A	BLACK			47			45	44			40	39	38	37	36				
						34			32			30			28				24	23		21	
						49							9		7			15	14	13	12	11	
SALEABLE	NOT APPLICABLE	34576-8063	9	A	BLACK	48	47	46	45	44	43				40			37	36				
						34			32	31			29	28	27			25	24	23	22		
						49						20	19	18		16	15				12		
SALEABLE	NOT APPLICABLE	34576-8073	0	C	BLUE																		
						48	47	46	45	44	43			41	40	39	38	37	36				
						34	33	32		30			28					24	23	22	21		
49						20		18	17	16		14	13	12									
								9	8	7	6				3			1					



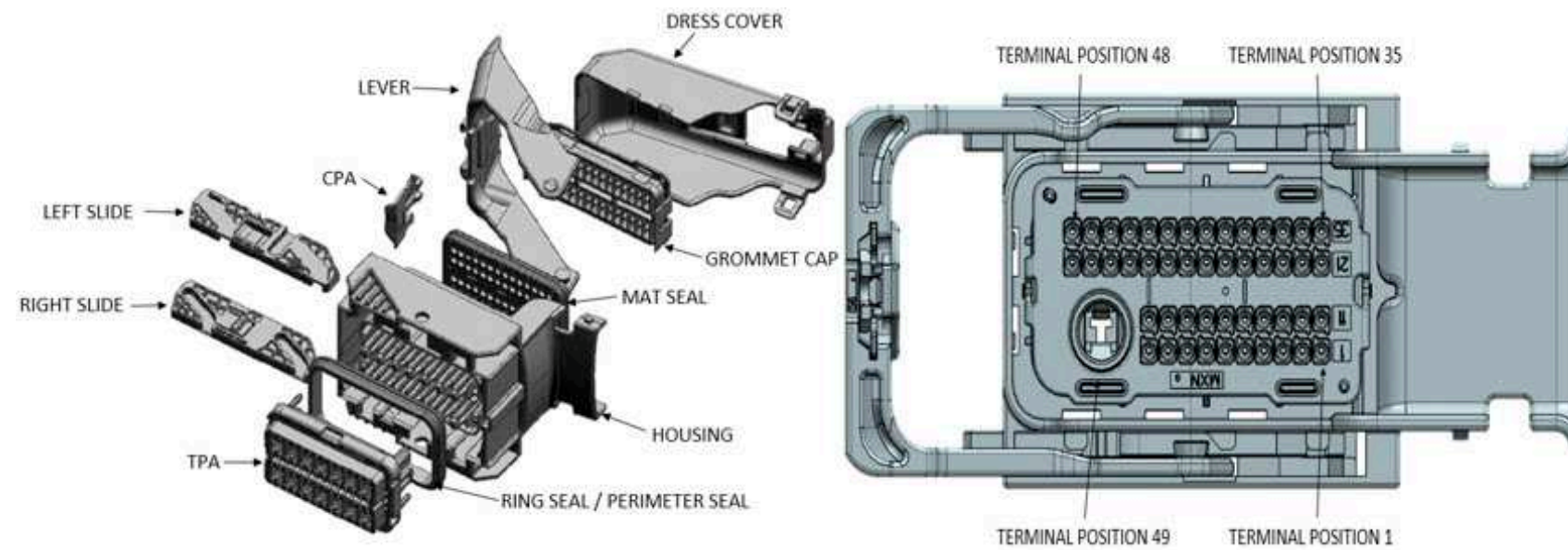
**MX123 18/28/42/49/56-WAY RECEPTACLE ASSY SEALED PIN OUT SHEET**

STATUS	GM PART #	HRNS CONN ASSY			TPA GROMMET CAP																
		MATERIAL/PART	WIRE DRESS OPTION	KEY OPTION	COLOR OPTION	NUMBERS INDICATE CAVITIES OPEN FOR CIRCUITS															
		NUMBER		▽ Fp		▽ Fp	▽ Fp														
SALEABLE	NOT APPLICABLE	34576-8083	0	H	ST GR	56	55	54	53	52	51					46	45	44	43		
						42	41	40	39	38	37	36	35	34	33						
						28	27	26	25	24	23	22	21	20	19						
						14	13	12	11			8	7	6	5					2	1
SALEABLE	NOT APPLICABLE	34576-8093	0	H	ST GR			54	53	52	51					46	45	44	43		
								40	39	38	37	36	35	34	33						
						28	27	26	25	24	23										
						14	13	12	11			8	7	6	5					2	1
SALEABLE	NOT APPLICABLE	34576-8103	0	H	ST GR			54	53	52	51										
								40	39	38	37	36	35	34	33						
						28	27	26	25	24	23										
						14	13	12	11											2	1
SALEABLE	NOT APPLICABLE	34576-8113	0	A	BLACK	48	47	46	45	44	43			40		38	37	36			
						34		32	31			29	28	27		25	24	23	22		
						49						20	19	18	17	16	15			12	
						49						10	9				5			2	1
SALEABLE	NOT APPLICABLE	34576-8123	0	A	BLACK	48	47	46	45	44	43			40		38	37	36			
						34		32	31			28	27		25	24	23	22			
						49						20	19		17	16	15			12	
						49						10	9				5			2	1
SALEABLE	NOT APPLICABLE	34576-8133	0	A	BLACK	48		46		44	43	42		40	39	38					
						34	33	32	31			29	28		26	25	24	23		21	
						49												14			11
						49								8	7					3	
SALEABLE	NOT APPLICABLE	34576-8143	0	G	BLUE	56	55	54	53	52	51	50	49	48	47	46	45	44	43		
								40				36	35				31				
							27		25	24		22	21			19	18				
							13	12		10	9	8	7	6				3			
SALEABLE	NOT APPLICABLE	34576-9133	9	A	BLACK	48	47	46	45	44	43			40		38	37	36			
						34		32	31			29	28	27		25	24	23	22		
						49						20	19	18	17	16				12	
						49						10	9				5			2	1
SALEABLE	NOT APPLICABLE	34576-9143	9	C	BLUE		47		45	44				40	39	38	37	36			
						34		32		30				26	25	24	23			21	
						49								18	17		15	14	13	12	
						49						10	9		7	6	5		3		1



**MX123 18/28/42/49/56-WAY RECEPTACLE ASSY SEALED PIN OUT SHEET**

STATUS	GM PART #	HRNS CONN ASSY			TPA GROMMET CAP																								
		MATERIAL/PART	WIRE DRESS OPTION	KEY OPTION ▽ Fp	COLOR OPTION ▽ Fp	NUMBERS INDICATE CAVITIES OPEN FOR CIRCUITS ▽ Fp																							
		NUMBER																											
SALEABLE	NOT APPLICABLE	34576-9153	9	A	BLACK						44	43			41										37	36			
						34	33	32																				22	
						49								18	17	16	15												
														8	7	6	5												



G-CAP-0-O	GROMMET CAP OPTION 0 All OPEN	BLACK	SPS/PA, G.F 30%
G-CAP-9-P	GROMMET CAP OPTION 9 PLUGGED	BLACK	SPS/PA, G.F 30%
G-CAP-9-O	GROMMET CAP OPTION 9 All OPEN	BLACK	SPS/PA, G.F 30%
C-HSG-A0	CONNECTOR HOUSING KEY A - WDC OPT 0	BLACK	SPS/PA, G.F 30%
C-HSG-B0	CONNECTOR HOUSING KEY B - WDC OPT 0	BLACK	SPS/PA, G.F 30%
C-HSG-C0	CONNECTOR HOUSING KEY C - WDC OPT 0	BLACK	SPS/PA, G.F 30%
C-HSG-D0	CONNECTOR HOUSING KEY D - WDC OPT 0	BLACK	SPS/PA, G.F 30%
C-HSG-E0	CONNECTOR HOUSING KEY E - WDC OPT 0	BLACK	SPS/PA, G.F 30%
C-HSG-F0	CONNECTOR HOUSING KEY F - WDC OPT 0	BLACK	SPS/PA, G.F 30%
C-HSG-A9	CONNECTOR HOUSING KEY A - WDC OPT 9	BLACK	SPS/PA, G.F 30%
C-HSG-B9	CONNECTOR HOUSING KEY B - WDC OPT 9	BLACK	SPS/PA, G.F 30%
C-HSG-C9	CONNECTOR HOUSING KEY C - WDC OPT 9	BLACK	SPS/PA, G.F 30%
C-HSG-D9	CONNECTOR HOUSING KEY D - WDC OPT 9	BLACK	SPS/PA, G.F 30%
C-HSG-E9	CONNECTOR HOUSING KEY E - WDC OPT 9	BLACK	SPS/PA, G.F 30%
C-HSG-F9	CONNECTOR HOUSING KEY F - WDC OPT 9	BLACK	SPS/PA, G.F 30%
TPA-A0	TERMINAL POSITION ASSURANCE (TPA) OPTION 0	BLACK	SPS/PA, G.F 30%
TPA-B0	TERMINAL POSITION ASSURANCE (TPA) OPTION 0	STONE GRAY	SPS/PA, G.F 30%
TPA-C0	TERMINAL POSITION ASSURANCE (TPA) OPTION 0	BLUE	SPS/PA, G.F 30%
TPA-D0	TERMINAL POSITION ASSURANCE (TPA) OPTION 0	BROWN	SPS/PA, G.F 30%
TPA-E0	TERMINAL POSITION ASSURANCE (TPA) OPTION 0	GREEN	SPS/PA, G.F 30%
TPA-F0	TERMINAL POSITION ASSURANCE (TPA) OPTION 0	NATURAL	SPS/PA, G.F 30%
TPA-A9	TERMINAL POSITION ASSURANCE (TPA) OPTION 9	BLACK	SPS/PA, G.F 30%
TPA-B9	TERMINAL POSITION ASSURANCE (TPA) OPTION 9	STONE GRAY	SPS/PA, G.F 30%
TPA-C9	TERMINAL POSITION ASSURANCE (TPA) OPTION 9	BLUE	SPS/PA, G.F 30%
TPA-D9	TERMINAL POSITION ASSURANCE (TPA) OPTION 9	BROWN	SPS/PA, G.F 30%
TPA-E9	TERMINAL POSITION ASSURANCE (TPA) OPTION 9	GREEN	SPS/PA, G.F 30%
TPA-F9	TERMINAL POSITION ASSURANCE (TPA) OPTION 9	NATURAL	SPS/PA, G.F 30%
MAL	MATE ASSIST LEVER	BLACK	SPS/NYLON GF30
RS	SLIDE - RIGHT	BLACK	PPE/PA, G.F. 30%
LS	SLIDE - LEFT	BLACK	PPE/PA, G.F. 30%
CVR BLACK	DRESS COVER BLACK	BLACK	PBT, G.F. 30%
CVR GRAY	DRESS COVER GRAY	GRAY	PBT, G.F. 30%
CVR BLUE	DRESS COVER BLUE	BLUE	PBT, G.F. 30%
CVR BROWN	DRESS COVER BROWN	BROWN	PBT, G.F. 30%
CVR GREEN	DRESS COVER GREEN	GREEN	PBT, G.F. 30%
CVR NATURAL	DRESS COVER NATURAL	NATURAL	PBT, G.F. 30%
CVR YELLOW	DRESS COVER YELLOW	YELLOW	PBT, G.F. 30%
CPA	CONNECTOR POSITION ASSURANCE (CPA)	RED	PPE/PA 10% GF
MSEAL	MAT SEAL	RUST RED	INHERENTLY LUBRICATED SILICONE RUBBER
RSEAL	RING SEAL	RUST RED	INHERENTLY LUBRICATED SILICONE RUBBER

FOR ADDITIONAL INFORMATION SEE SD-34576-001

ASSEMBLY DESCRIPTION	ASSEMBLY PART NUMBER	CONNECTOR HOUSING	GROMMET CAP	TPA	RIGHT SLIDE	LEFT SLIDE	MATE ASSIST LEVER	CPA	MAT SEAL	RING SEAL	BLOCKED TERMINALS												STATUS	COMMENTS	INTEGRAL COMPONENTS SOLD SEPARATELY DRESS COVER			
											CAVITY WITH A NUMBER INDICATES BLOCKED TERMINAL POSITION CAVITY WITHOUT A NUMBER INDICATES OPEN TERMINAL POSITION																	
MX123 CONN ASSY 49 CKT BLK OPT0 KEY A/49	345760103	C-HSG-A0	G-CAP-0-P	TPA-A0	RS	LS	MAL	CPA	MSEAL	RSEAL	-	-	-	-	-	-	-	-	-	-	-	-	-	-	-	SALEABLE		345750003
MX123 CONN ASSY 49 CKT BLU OPT0 KEY C/49	345760303	C-HSG-C0	G-CAP-0-P	TPA-C0	RS	LS	MAL	CPA	MSEAL	RSEAL	-	-	-	-	-	-	-	-	-	-	-	-	-	-	-	SALEABLE		345750003
MX123 CONN ASSY 49 CKT BLK OPT9 KEY A/49	345761303	C-HSG-A9	G-CAP-9-P	TPA-A9	RS	LS	MAL	CPA	MSEAL	RSEAL	-	-	-	-	-	-	-	-	-	-	-	-	-	-	-	SALEABLE		345750003
MX123 CONN ASSY 49 CKT BLU OPT9 KEY C/49	345761503	C-HSG-C9	G-CAP-9-P	TPA-C9	RS	LS	MAL	CPA	MSEAL	RSEAL	-	-	-	-	-	-	-	-	-	-	-	-	-	-	-	SALEABLE		345750003





NUMBER	C-HSG	G-CAP	TPA	RS	LS	MAL	CPA	MSEAL	RSEAL	CAVITY WITH A NUMBER INDICATES BLOCKED TERMINAL POSITION CAVITY WITHOUT A NUMBER INDICATES OPEN TERMINAL POSITION																DRESS COVER																					
										48	47	46	45	-	-	-	-	40	-	38	37	36	-	34	-		32	31	-	29	-	-	-	25	24	23	22	-	20	19	-	-	16	15	-	-	12
MX123 CONN ASSY 49 CKT BLK OPT9 KEY A/23	345767763	C-HSG-A9	G-CAP-9-P	TPA-A9	RS	LS	MAL	CPA	MSEAL	RSEAL	-	-	-	-	-	-	42	41	-	39	-	-	-	-	35	SALEABLE		345750003																			
MX123 CONN ASSY 49 CKT BLK OPT9 KEY A/31	345767773	C-HSG-A9	G-CAP-9-P	TPA-A9	RS	LS	MAL	CPA	MSEAL	RSEAL	-	-	-	-	-	-	-	-	-	-	-	-	-	-	35	SALEABLE		345750003																			
MX123 CONN ASSY 49 CKT BLU OPT9 KEY C/35	345767783	C-HSG-C9	G-CAP-9-P	TPA-C9	RS	LS	MAL	CPA	MSEAL	RSEAL	-	-	-	31	-	29	28	-	26	25	-	-	-	-	35	SALEABLE		345750003																			
MX123 CONN ASSY 49 CKT BLK OPT9 KEY A/28	345767793	C-HSG-A9	G-CAP-9-P	TPA-A9	RS	LS	MAL	CPA	MSEAL	RSEAL	-	-	-	-	44	43	42	41	-	39	-	-	-	-	35	SALEABLE		345750003																			
MX123 CONN ASSY 49 CKT BLU OPT9 KEY C/34	345767813	C-HSG-C9	G-CAP-9-P	TPA-C9	RS	LS	MAL	CPA	MSEAL	RSEAL	-	-	-	31	-	29	28	-	26	25	-	-	-	-	35	SALEABLE		345750003																			
MX123 CONN ASSY 49 CKT BLK OPT0 KEY A/26	345767823	C-HSG-A0	G-CAP-0-P	TPA-A0	RS	LS	MAL	CPA	MSEAL	RSEAL	-	-	-	-	44	43	42	41	-	39	-	-	-	-	35	SALEABLE		345750003																			
MX123 CONN ASSY 49 CKT BLU OPT0 KEY C/31	345767833	C-HSG-C0	G-CAP-0-P	TPA-C0	RS	LS	MAL	CPA	MSEAL	RSEAL	-	-	46	-	-	43	42	-	-	-	-	-	-	-	35	SALEABLE		345750003																			
MX123 CONN ASSY 49 CKT BLK OPT9 KEY A/33	345767843	C-HSG-A9	G-CAP-9-P	TPA-A9	RS	LS	MAL	CPA	MSEAL	RSEAL	-	-	-	-	-	-	42	41	-	39	-	-	-	-	35	SALEABLE		345750003																			
MX123 CONN ASSY 49 CKT BLU OPT0 KEY C/40	345767853	C-HSG-C0	G-CAP-0-P	TPA-C0	RS	LS	MAL	CPA	MSEAL	RSEAL	-	-	-	31	-	-	-	-	26	25	-	-	-	-	35	SALEABLE		345750003																			
MX123 CONN ASSY 49 CKT BLK OPT9 KEY A/25	345767863	C-HSG-A9	G-CAP-9-P	TPA-A9	RS	LS	MAL	CPA	MSEAL	RSEAL	-	47	-	45	44	-	42	41	40	-	-	-	37	-	35	SALEABLE		345750003																			
MX123 CONN ASSY 49 CKT BLU OPT9 KEY C/34	345767873	C-HSG-C9	G-CAP-9-P	TPA-C9	RS	LS	MAL	CPA	MSEAL	RSEAL	-	-	-	31	-	29	28	-	26	25	-	-	-	-	35	SALEABLE		345750003																			
MX123 CONN ASSY 49 CKT BLK OPT9 KEY A/30	345767883	C-HSG-A9	G-CAP-9-P	TPA-A9	RS	LS	MAL	CPA	MSEAL	RSEAL	-	-	-	-	-	-	42	41	-	39	38	-	-	-	35	SALEABLE		345750003																			

NUMBER	C-HSG	G-CAP	TPA	RS	LS	MAL	CPA	MSEAL	RSEAL	CAVITY WITH A NUMBER INDICATES BLOCKED TERMINAL POSITION CAVITY WITHOUT A NUMBER INDICATES OPEN TERMINAL POSITION																DRESS COVER							
										44	43	42	41	39	38	37	36	35	34	33	32	31	30	29	28		27	26	18	17	16	15	14
MX123 CONN ASSY 49 CKT BLK OPT9 KEY A/25	345767893	C-HSG-A9	G-CAP-9-P	TPA-A9	RS	LS	MAL	CPA	MSEAL	RSEAL	-	-	-	-	44	43	42	41	-	39	-	-	-	-	35	SALEABLE	345750003						
											-	33	-	-	30	-	28	27	26	-	-	-	-	21									
											-	-	-	-	-	-	18	-	-	15	14	13	12	11									
											-	-	-	-	-	-	8	7	6	-	4	3	-	1									
MX123 CONN ASSY 49 CKT BLK OPT0 KEY A/27	345767903	C-HSG-A0	G-CAP-0-P	TPA-A0	RS	LS	MAL	CPA	MSEAL	RSEAL	-	-	-	-	44	43	42	41	-	39	-	-	-	35	SALEABLE	345750003							
											-	33	-	-	30	-	28	27	26	-	-	-	-	21									
											-	-	-	-	-	-	18	-	-	15	14	13	-	11									
											-	-	-	-	-	-	8	7	6	-	4	3	-	-									
MX123 CONN ASSY 49 CKT BLK OPT9 KEY A/27	345767913	C-HSG-A9	G-CAP-9-P	TPA-A9	RS	LS	MAL	CPA	MSEAL	RSEAL	-	47	-	45	44	-	42	41	40	-	-	37	-	-	SALEABLE	345750003							
											-	-	-	-	30	-	28	-	26	-	-	-	-	-									
											-	-	-	-	-	-	18	17	16	15	14	13	12	-									
											-	-	-	-	-	-	8	-	-	5	4	3	2	-									
MX123 CONN ASSY 49 CKT BLK OPT0 KEY A/34	345767923	C-HSG-A0	G-CAP-0-P	TPA-A0	RS	LS	MAL	CPA	MSEAL	RSEAL	-	-	-	-	-	-	42	41	-	39	-	-	-	35	SALEABLE	345750003							
											-	33	-	-	30	-	-	-	26	-	-	-	-	21									
											-	-	-	-	-	-	-	-	-	-	14	13	-	11									
											-	-	-	-	-	-	8	7	-	-	4	3	-	-									
MX123 CONN ASSY 49 CKT BLU OPT0 KEY C/14	345767933	C-HSG-C0	G-CAP-0-P	TPA-C0	RS	LS	MAL	CPA	MSEAL	RSEAL	48	47	46	45	44	43	42	41	40	39	38	37	36	35	SALEABLE	345750003							
											34	33	32	31	30	29	28	27	26	25	24	23	22	21									
											-	-	-	-	-	19	-	-	-	15	-	-	-	11									
											10	-	-	-	-	-	-	-	-	5	4	-	2	-									
MX123 CONN ASSY 49 CKT BLK OPT0 KEY A/27	345767943	C-HSG-A0	G-CAP-0-P	TPA-A0	RS	LS	MAL	CPA	MSEAL	RSEAL	-	-	-	-	44	43	42	41	-	39	-	-	-	35	SALEABLE	345750003							
											-	33	-	-	30	-	28	27	26	-	-	-	-	21									
											-	-	-	-	-	-	18	17	-	-	14	13	-	11									
											-	-	-	-	-	-	8	7	6	-	4	3	-	-									
MX123 CONN ASSY 49 CKT BLK OPT9 KEY A/26	345767963	C-HSG-A9	G-CAP-9-P	TPA-A9	RS	LS	MAL	CPA	MSEAL	RSEAL	-	47	-	45	44	-	42	41	40	-	-	37	-	-	SALEABLE	345750003							
											-	-	-	-	30	-	28	-	26	-	-	-	22	-									
											-	-	-	-	-	-	18	17	16	15	14	13	12	-									
											-	-	-	-	-	-	8	-	-	5	4	3	2	-									
MX123 CONN ASSY 49 CKT BLK OPT0 KEY A/30	345767973	C-HSG-A0	G-CAP-0-P	TPA-A0	RS	LS	MAL	CPA	MSEAL	RSEAL	-	-	-	-	-	-	42	41	-	39	-	-	-	35	SALEABLE	345750003							
											-	33	-	-	30	29	-	-	26	-	-	-	-	21									
											-	-	-	-	-	-	18	17	-	-	14	13	-	11									
											-	-	-	-	-	-	8	7	6	-	4	3	-	-									
MX123 CONN ASSY 49 CKT BLK OPT9 KEY A/18	345767983	C-HSG-A9	G-CAP-9-P	TPA-A9	RS	LS	MAL	CPA	MSEAL	RSEAL	48	47	46	45	44	43	42	41	40	39	-	37	36	35	SALEABLE	345750003							
											34	-	-	31	30	-	-	27	-	-	24	-	22	21									
											-	-	-	-	-	19	-	17	-	-	14	13	12	11									
											-	-	-	-	-	-	9	-	-	-	4	3	2	1									
MX123 CONN ASSY 49 CKT BLU OPT9 KEY C/29	345767993	C-HSG-C9	G-CAP-9-P	TPA-C9	RS	LS	MAL	CPA	MSEAL	RSEAL	48	-	46	-	-	43	-	41	-	-	-	-	-	35	SALEABLE	345750003							
											-	33	-	31	-	29	-	27	26	25	-	-	22	-									
											-	-	-	-	20	19	-	-	16	-	-	-	-	-									
											-	-	-	-	10	-	8	-	6	-	4	-	2	-									
MX123 CONN ASSY 49 CKT BLK OPT0 KEY A/31	345768003	C-HSG-A0	G-CAP-0-P	TPA-A0	RS	LS	MAL	CPA	MSEAL	RSEAL	-	-	-	-	-	-	42	41	-	39	-	-	-	35	SALEABLE	345750003							
											-	33	-	-	30	-	-	-	26	-	-	-	-	21									
											-	-	-	-	-	-	18	17	-	15	14	13	-	11									
											-	-	-	-	-	-	8	7	-	-	4	3	-	-									
MX123 CONN ASSY 49 CKT BLK OPT9 KEY A/26	345768023	C-HSG-A9	G-CAP-9-P	TPA-A9	RS	LS	MAL	CPA	MSEAL	RSEAL	-	-	-	-	44	43	42	41	-	39	38	-	-	35	SALEABLE	345750003							
											-	33	-	-	30	-	28	27	26	-	-	-	-	21									
											-	-	-	-	-	-	-	17	-	15	14	13	-	11									
											-	-	-	-	-	-	8	7	6	-	4	3	-	-									

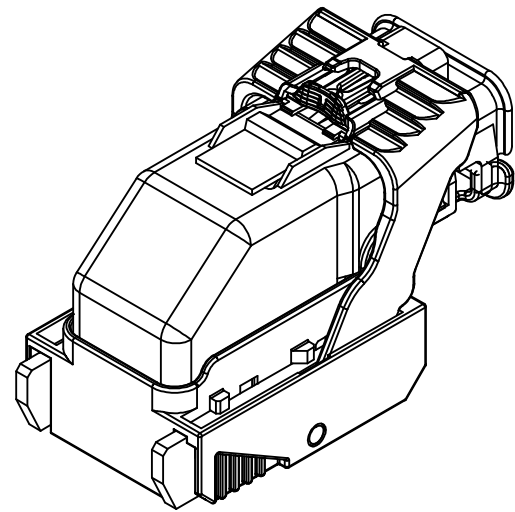






20 19 18 17 16 15 14 13 12 11 10 9 8 7 6 5 4 3 2 1

INDEX	
PAGE TITLE	PAGE
TITLE BLOCK	1
PART BLOCK	2
KPC BLOCK	3
COMPONENT TABLE	4
NOTES	5
NOTES	6
WIRE DRESS PACKAGING DIMENSIONS	7
LOCATION AND PACKAGING DIMENSIONS REFERENCING INTERFACE DATUMS B & C	8
LOCATION AND PACKAGING DIMENSIONS REFERENCING INTERFACE DATUM A	9
KEY ID REF - WIRE DRESS OPTION 0	10
KEY ID REF - WIRE DRESS OPTION 9	11
CIRCUIT CONFIGURATIONS	12
CIRCUIT CONFIGURATIONS	13
COMPONENT CONNECTOR INTERFACE	14
COMPONENT CONNECTOR INTERFACE	15
COMPONENT CONNECTOR INTERFACE	16
COMPONENT CONNECTOR INTERFACE	17
COMPONENT CONNECTOR INTERFACE	18
COMPONENT CONNECTOR INTERFACE	19
COMPONENT CONNECTOR INTERFACE	20
COMPONENT CONNECTOR INTERFACE	21
ADDITIONAL COMPONENTS REQUIRED	22



MX123 HARNESS CONN - SEALED  
18/49/56 CKTS

<b>ENTER DESCRIPTION</b> EC NO: UAU2017-0870 DRAWN BY: DRWASCHITALIA 2017/03/27 CHKD: APPR: VKOSHY 2017/03/29 A4	QUALITY SYMBOLS ▽=0 ▽=0 ▽=0	GENERAL TOLERANCES (UNLESS SPECIFIED) <table border="1"> <thead> <tr> <th></th> <th>mm</th> <th>INCH</th> </tr> </thead> <tbody> <tr><td>4 PLACES</td><td>± 0.15</td><td>± 0.005</td></tr> <tr><td>3 PLACES</td><td>± 0.25</td><td>± 0.010</td></tr> <tr><td>2 PLACES</td><td>± 0.38</td><td>± 0.015</td></tr> <tr><td>1 PLACE</td><td>± 0.51</td><td>± 0.020</td></tr> <tr><td>0 PLACE</td><td>± 0.64</td><td>± 0.025</td></tr> </tbody> </table> ANGULAR ± 1° DRAFT WHERE APPLICABLE MUST REMAIN WITHIN DIMENSIONS		mm	INCH	4 PLACES	± 0.15	± 0.005	3 PLACES	± 0.25	± 0.010	2 PLACES	± 0.38	± 0.015	1 PLACE	± 0.51	± 0.020	0 PLACE	± 0.64	± 0.025	DIMENSION STYLE <b>MM ONLY</b> DRAWN BY: SKRAJENDRANA 2016/12/15 CHECKED BY: VKOSHY 2016/12/15 APPROVED BY: VKOSHY 2017/03/03	SCALE: 1:1 DESIGN UNITS: METRIC THIRD ANGLE PROJECTION	TITLE: ICD - MX123 18/49/56CKT INTERFACE CONNECTION DRW MOLEX MATERIAL NO.: SEE BOM TABLE DOCUMENT NO.: SD-34576-0001 SHEET NO.: 1 OF 22
		mm	INCH																				
	4 PLACES	± 0.15	± 0.005																				
	3 PLACES	± 0.25	± 0.010																				
2 PLACES	± 0.38	± 0.015																					
1 PLACE	± 0.51	± 0.020																					
0 PLACE	± 0.64	± 0.025																					
THIS DRAWING CONTAINS INFORMATION THAT IS PROPRIETARY TO MOLEX INCORPORATED AND SHOULD NOT BE USED WITHOUT WRITTEN PERMISSION																							
DRAFT WHERE APPLICABLE MUST REMAIN WITHIN DIMENSIONS																							
SEE BOM TABLE																							

1b\_frame\_D\_P\_AM.T Rev. G 2012/01/11 19 18 17 16 15 14 13 12 11 10 9 8 7 6 5 4 3 2 1

20 19 18 17 16 15 14 13 12 11 10 9 8 7 6 5 4 3 2 1

22	RD	A	C	001		0.000	YAZAKI: 7158-3114-90	2.8MM CAVITY PLUG
21	RD	A		001		0.000	PLUG-WRG HARN CONN MX0.64	
20	RD	A		001		0.000	TERM-AG 0.5MM/0.75MM ISO,MX64	
19	RD	A		001		0.000	TERM-AG 0.35MM ISO,MX64	
18	RD	A	C	006		0.009	WIRE HARNESS COVER	18/49/56 WAY
17	RD	A	2	001		0.041	HARN CONN ASM 56 CKT	KEY J OPTION 9
16	RD	A	2	001		0.041	HARN CONN ASM 56 CKT	KEY H OPTION 9
15	RD	A	2	001		0.041	HARN CONN ASM 56 CKT	KEY G OPTION 9
14	RD	A	2	001		0.041	HARN CONN ASM 56 CKT	KEY J OPTION 0
13	RD	A	2	001		0.041	HARN CONN ASM 56 CKT	KEY H OPTION 0
12	RD	A	2	001		0.041	HARN CONN ASM 56 CKT	KEY G OPTION 0
11	RD	A	2	001		0.040	HARN CONN ASM 49 CKT	KEY C OPTION 9
10	RD	A	2	001		0.040	HARN CONN ASM 49 CKT	KEY B OPTION 9
09	RD	A	2	001		0.040	HARN CONN ASM 49 CKT	KEY A OPTION 9
08	RD	A	2	001		0.040	HARN CONN ASM 49 CKT	KEY C OPTION 0
07	RD	A	2	001		0.040	HARN CONN ASM 49 CKT	KEY B OPTION 0
06	RD	A	2	001		0.040	HARN CONN ASM 49 CKT	KEY A OPTION 0
05	RD	A	2	001		0.044	HARN CONN ASM 18 CKT	KEY H OPTION 9
04	RD	A	2	001		0.044	HARN CONN ASM 18 CKT	KEY G OPTION 9
03	RD	A	2	001		0.044	HARN CONN ASM 18 CKT	KEY H OPTION 0
02	RD	A	2	001		0.044	HARN CONN ASM 18 CKT	KEY G OPTION 0
01	RD	A		001		1.285	HARNES CONN ASM-SEALED 18/49/56CKTS,MX123	
							DRAWING	
DWG ITM	DWG RLTN SHIP	D L S	ST	REV	P D I	MASS (KG)	PART NAME	NOTES
PARTS SHOWN ON DRAWING								

ENTER DESCRIPTION EC. NO: UAU2017-0870 DRAWN: ACHITALIA 2017/03/27 CHKD: APPR: VKOSHY 2017/03/29 REV: A4	QUALITY SYMBOLS	GENERAL TOLERANCES (UNLESS SPECIFIED)	DIMENSION STYLE	SCALE	DESIGN UNITS	THIRD ANGLE PROJECTION
	▽=0	m/m INCH	MM ONLY	1:1	METRIC	
	▽=0	4 PLACES ± --- ± ---	DRAWN BY DATE			
	▽=0	3 PLACES ± --- ± ---	SKRAJENDRANA 2016/12/15			
	2 PLACES ± 0.13 ± ---	CHECKED BY DATE				TITLE
	1 PLACE ± 0.25 ± ---	VKOSHY 2016/12/15				ICD - MX123 18/49/56CKT INTERFACE CONNECTION DRW MOLEX
	0 PLACE ± --- ± ---	APPROVED BY DATE				<b>molex</b>
		VKOSHY 2017/03/03				
	ANGULAR ± 1 °	MATERIAL NO.	DOCUMENT NO.			SHEET NO.
	DRAFT WHERE APPLICABLE MUST REMAIN WITHIN DIMENSIONS	SEE BOM TABLE	SD-34576-0001			2 OF 22
		THIS DRAWING CONTAINS INFORMATION THAT IS PROPRIETARY TO MOLEX INCORPORATED AND SHOULD NOT BE USED WITHOUT WRITTEN PERMISSION				

1b\_frame\_D\_P\_AM.T Rev. G 2012/01/11 19 18 17 16 15 14 13 12 11 10 9 8 7 6 5 4 3 2 1

KEY PRODUCT CHARACTERISTICS  
(IN ACCORDANCE WITH QN 1805 OR ON 1050)



SAFETY/COMPLIANCE

TOTAL ON DRAWING

4



FIT/FUNCTION

LAST NO. USED

4

NO	TYPE	DESCRIPTION	RATIONALE	PAGE/ZONE
1	F/F	32.68	IMPROVE CONNECTOR SYSTEM MATING	15
2	F/F	29.00	INSURE PROPER RELEASE OF LEVER	15
3	F/F	15.25	INSURE FINAL MATE POSITION	16
4	F/F	POSITIONAL TOLERANCE (2 PLACES)	INSURE CONNECTOR SYSTEM MATIBILITY	19

ENTER DESCRIPTION EC NO: UAU2017-0870 DRAWN: CHITRALIA 2017/03/27 CHKD: WOSHY APPR: WOSHY 2017/03/29 A4	QUALITY SYMBOLS	GENERAL TOLERANCES (UNLESS SPECIFIED)	DIMENSION STYLE	SCALE	DESIGN UNITS	THIRD ANGLE PROJECTION
	▽=0 ▽=0 ▽=0	mm INCH 4 PLACES ± --- ± --- 3 PLACES ± --- ± --- 2 PLACES ± 0.13 ± --- 1 PLACE ± 0.25 ± --- 0 PLACE ± --- ± ---	MM ONLY DRAWN BY: SKRAJENDRANA 2016/12/15 CHECKED BY: VKOSHY 2016/12/15 APPROVED BY: VKOSHY 2017/03/03	1:1 METRIC	ICD - MX123 18/49/56CKT INTERFACE CONNECTION DRW MOLEX	molex
DRAFT WHERE APPLICABLE MUST REMAIN WITHIN DIMENSIONS		ANGULAR ± 1 °		SEE BOM TABLE		DOCUMENT NO. SD-34576-0001
THIS DRAWING CONTAINS INFORMATION THAT IS PROPRIETARY TO MOLEX INCORPORATED AND SHOULD NOT BE USED WITHOUT WRITTEN PERMISSION						



20	19	18	17	16	15	14	13	12	11	10	9	8	7	6	5	4	3	2	1
APPLICABLE COMPONENTS																			
Part No.	MFG.	MFG. P/N	DESCRIPTION	Key Option	Wire Dress Option	Key Config.	Color	Status											
1	MOLEX	34575-0003	WIRE HARNESS COVER*	N/A	NA	N/A	BLACK	AVAILABLE											
2	MOLEX	34851-0007	HARN CONN ASM 18 CKT	G	0	1358	BLUE	ACTIVE											
3	MOLEX	34851-0008	HARN CONN ASM 18 CKT	H	0	2458	ST GRAY	ACTIVE											
4	MOLEX	34851-0019	HARN CONN ASM 18 CKT	G	9	1358	BLUE	ACTIVE											
5	MOLEX	34851-0020	HARN CONN ASM 18 CKT	H	9	2458	ST GRAY	ACTIVE											
6	MOLEX	34576-0103	HARN CONN ASM 49 CKT	A	0	1458	BLACK	ACTIVE											
7	MOLEX	34576-0203	HARN CONN ASM 49 CKT	B	0	1468	ST GRAY	NOT ACTIVE											
8	MOLEX	34576-0303	HARN CONN ASM 49 CKT	C	0	2467	BLUE	ACTIVE											
9	MOLEX	34576-1303	HARN CONN ASM 49 CKT	A	9	1458	BLACK	ACTIVE											
10	MOLEX	34576-1403	HARN CONN ASM 49 CKT	B	9	1468	ST GRAY	NOT ACTIVE											
11	MOLEX	34576-1503	HARN CONN ASM 49 CKT	C	9	2467	BLUE	ACTIVE											
12	MOLEX	34576-0703	HARN CONN ASM 56 CKT	G	0	1358	BLUE	AVAILABLE											
13	MOLEX	34576-0803	HARN CONN ASM 56 CKT	H	0	2458	ST GRAY	AVAILABLE											
14	MOLEX	34576-0903	HARN CONN ASM 56 CKT	J	0	2457	BLACK	NOT ACTIVE											
15	MOLEX	34576-1903	HARN CONN ASM 56 CKT	G	9	1358	BLUE	AVAILABLE											
16	MOLEX	34576-2003	HARN CONN ASM 56 CKT	H	9	2458	ST GRAY	NOT ACTIVE											
17	MOLEX	34576-2103	HARN CONN ASM 56 CKT	J	9	2457	BLACK	NOT ACTIVE											
18	MOLEX	34736-0028	MX64 RCPT TERM Ag 0.5mm/0.75mm ISO GAGE B (RIGHT PAYOFF)	N/A	N/A	N/A	N/A	AVAILABLE											
19	MOLEX	34736-0026	MX64 RCPT TERM Ag 0.35mm ISO B (RIGHT PAYOFF)	N/A	N/A	N/A	N/A	AVAILABLE											
20	MOLEX	34586-0001	MX123 0.64MM GROMMET PLUG	N/A	N/A	N/A	NATURAL	AVAILABLE											
21	YAZAKI	7116-4150-02	2.8mm YESC SEALED FEMALE TERMINAL TIN 0.35mm2-0.50mm2	N/A	N/A	N/A	N/A	NOT ACTIVE											
22	YAZAKI	7116-4151-02	2.8mm YESC SEALED FEMALE TERMINAL TIN 0.75mm2-1.0mm2	N/A	N/A	N/A	N/A	NOT ACTIVE											
23	YAZAKI	7116-4152-02	2.8mm YESC SEALED FEMALE TERMINAL TIN 1.5mm2-2.5mm2	N/A	N/A	N/A	N/A	AVAILABLE											
24	YAZAKI	7158-3111-60	2.8mm CABLE SEAL (wire O.D. range 1.2mm-1.9mm)	N/A	N/A	N/A	GREEN	NOT ACTIVE											
25	YAZAKI	7158-3112-70	2.8mm CABLE SEAL (wire O.D. range 1.8mm-2.3mm)	N/A	N/A	N/A	YELLOW	NOT ACTIVE											
26	YAZAKI	7158-3113-40	2.8mm CABLE SEAL (wire O.D. range 2.1mm-3.0mm)	N/A	N/A	N/A	WHITE	AVAILABLE											
27	YAZAKI	7158-3114-90	2.8mm YESC CAVITY PLUG	N/A	N/A	N/A	BLUE	AVAILABLE											
28	DELPHI	33140138	6.35mm APEX RCPT TERM SnAg GRIP CODE-10 (6mm2) - GREASED	N/A	N/A	N/A	N/A	AVAILABLE											
29	DELPHI	33140135	6.35mm APEX RCPT TERM SnAg GRIP CODE-TBD (1mm2) - GREASED	N/A	N/A	N/A	N/A	AVAILABLE											
30	QSR	A-0549C	6.35mm CABLE SEAL (FOR 0.75-1.25mm2 WIRE SIZE - 3.6 TO 4.2mm INSULATION OD)	N/A	N/A	N/A	WHITE	AVAILABLE											
31	QSR	A-0549B	6.35mm CABLE SEAL (FOR 0.75-1.25mm2 WIRE SIZE - 1.8 TO 2.3mm INSULATION OD)	N/A	N/A	N/A	BLUE	AVAILABLE											
32	MOLEX	63825-8400	MX64 TERM HAND CRIMP TOOL	N/A	N/A	N/A	N/A	AVAILABLE											
33	MOLEX	63813-1400	MX64 TERM SERVICE TOOL	N/A	N/A	N/A	N/A	AVAILABLE											
34	MOLEX	63902-5300	MX64 CRIMP APPLICATOR with TOOL KIT 0.5/0.75mm2 PAYOFF DIRECTION D (left payoff) (contact Molex for payoff detail)	N/A	N/A	N/A	N/A	AVAILABLE											
35	MOLEX	63902-5370	MX64 APPLICATOR TOOL KIT 0.5/0.75mm2	N/A	N/A	N/A	N/A	AVAILABLE											
36	MOLEX	63902-5100	MX64 CRIMP APPLICATOR with TOOL KIT 0.35mm2 PAYOFF DIRECTION D (left payoff) (contact Molex for payoff detail)	N/A	N/A	N/A	N/A	AVAILABLE											
37	MOLEX	63902-5170	MX64 APPLICATOR TOOL KIT 0.35mm2	N/A	N/A	N/A	N/A	AVAILABLE											
38	SPX	J35616-64	0.64mm PROBE TOOL (for rcpt)	N/A	N/A	N/A	N/A	AVAILABLE											
39	SPX	J35616-64A	0.64mm PROBE TOOL WITH EXT (for rcpt)	N/A	N/A	N/A	N/A	AVAILABLE											
40	SPX	J35616-65	0.64mm PROBE TOOL WITH EXT (for pin)	N/A	N/A	N/A	N/A	AVAILABLE											
41	SPX	J35616-4A	2.8mm PROBE TOOL (for rcpt)	N/A	N/A	N/A	N/A	AVAILABLE											
42	YAZAKI	X39899-J374	2.8mm TERM SERVICE TOOL	N/A	N/A	N/A	N/A	AVAILABLE											
43	TOI	7000-1001	18CKT PASS THROUGH ADAPTERS	N/A	N/A	N/A	BLACK	AVAILABLE											
44	TOI	7000-1004	49CKT PASS THROUGH ADAPTERS	N/A	N/A	N/A	BLACK	AVAILABLE											
45	TOI	79917-0060	56CKT PASS THROUGH ADAPTERS	N/A	N/A	N/A	BLACK	AVAILABLE											
46	MOLEX	63813-1500	6.35mm APEX TERM SERVICE TOOL	N/A	N/A	N/A	N/A	AVAILABLE											

\* MX123 WIRE HARNESS COVER MATES TO ANY 18/49/56 CKT MX123 HARN CONN ASSY SHOWN ON THIS TABLE

ENTER DESCRIPTION EC NO: UAU2017-0870 DRAWN BY: DRWASCHITALIA CHKD: APPR: VKOSHY DATE: 2017/03/17	QUALITY SYMBOLS	GENERAL TOLERANCES (UNLESS SPECIFIED)	DIMENSION STYLE	SCALE	DESIGN UNITS	THIRD ANGLE PROJECTION
	▽=0	mm INCH	MM ONLY	1:1	METRIC	☉
	▽=0	4 PLACES ± --- ± ---	DRAWN BY: SKRAJENDRANA	DATE: 2016/12/15	TITLE: ICD - MX123 18/49/56CKT INTERFACE CONNECTION DRW	
	▽=0	3 PLACES ± --- ± ---	CHECKED BY: VKOSHY	DATE: 2016/12/15	MOLEX	
		1 PLACE ± 0.25 ± ---	APPROVED BY: VKOSHY	DATE: 2017/03/03	molex	
		0 PLACE ± --- ± ---	MATERIAL NO. SEE BOM TABLE		DOCUMENT NO. SD-34576-0001	SHEET NO. 4 OF 22
ANGULAR ± 1 °			DRAFT WHERE APPLICABLE MUST REMAIN WITHIN DIMENSIONS			
THIS DRAWING CONTAINS INFORMATION THAT IS PROPRIETARY TO MOLEX INCORPORATED AND SHOULD NOT BE USED WITHOUT WRITTEN PERMISSION						

20 19 18 17 16 15 14 13 12 11 10 9 8 7 6 5 4 3 2 1

**NOTES: UNLESS OTHERWISE SPECIFIED**

**1. MATERIAL FOR INTERFACE:**

- A. RESIN:**  
 1. 30% G.F. PBT, 20% MAX. (BY WEIGHT) REGRIND.  
 2. MATING CONNECTOR INTERFACE PART COLOR MUST BE SAME AS MATCHING KEYED HARNESS CONNECTOR ASSEMBLY.  
 3. MUST BE VALIDATED FOR INDIVIDUAL DEVICE APPLICATION REQUIREMENTS.

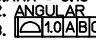
- B. 0.64MM PINS:**  
 1. BASE MATERIAL: COPPER ALLOY, CONDUCTIVITY >= 28% IACS AT 20°C, TENSILE STRENGTH >= 635 N/mm², SURFACE ROUGHNESS R6 MAX.  
 2. PLATING FINISH: SILVER (Ag) PLATING TO BE 1.9-3.3 µm ELECTRODEPOSITED SEMI-BRIGHT SILVER OVER 1.25-2.25 µm DUCTILE SULPHAMATE NICKEL PER NOTE 1(D).  
 3. ANTI-TARNISH: SYNTHETIC HYDROCARBON CONTACT SURFACE FINISH OR EQUIVALENT APPLIED WITHOUT VOID TO CONTACT AREA (MIN 3.7mm FROM PIN TIP).

- C. 2.8MM BLADE:**  
 1. BASE MATERIAL: COPPER ALLOY, CONDUCTIVITY >= 28% IACS AT 20°C, TENSILE STRENGTH >= 350 N/mm², SURFACE ROUGHNESS R6 MAX.  
 2. PLATING FINISH: TIN PLATING TO BE 2.5-5.0 µm ELECTRODEPOSITED TIN, MATTE FINISH OVER 1.25-2.5µm DUCTILE SULPHAMATE NICKEL PER NOTE 1(D).

- D. 6.3MM BLADE:**  
 1. BASE MATERIAL: COPPER ALLOY, CONDUCTIVITY >= 50% IACS AT 20°C,  
 2. PLATING FINISH: SILVER (Ag) PLATING TO BE 1.9-3.3 µm ELECTRODEPOSITED SEMI-BRIGHT SILVER, OVER 1.25-2.5µm DUCTILE SULPHAMATE NICKEL PER NOTE 1(D) WITH ENVIRONMENTAL BARRIER OR  
 TIN/SILVER (ELECTRO-DEPOSITED), UNDERPLATE 0.5-2.0 µm NICKEL OR COPPER.  
 TOP PLATING: 1.0-3.0 µm (SILVER RANGE 3.75-X.XX NO ANTI-TARNISH COATING REQUIRED).


- E. PLATING REQUIREMENTS:**  
 1. SILVER PLATING  
 a. 99.5% PURE SEMI-BRIGHT WITH NO ORGANIC BRIGHTENERS OR CHROMATES.  
 2. NICKEL PLATING  
 a. ELECTRODEPOSITED DUCTILE SULFAMATE NICKEL WITH A NON-BRIGHTENED FINISH. NO ORGANIC OR BRIGHTENING AGENTS SHALL BE ALLOWED.  
 b. SHALL ONLY BE USED AS AN UNDERLYING PLATING AND MAY NOT BE USED AS AN ELECTRICAL CONTACT SURFACE PLATING.  
 c. SHALL BE NODULE FREE WHEN VIEWED AT 10X MAGNIFICATION IN MEASURED IN CONTACT SURFACE AREA PLUS 0.5MM PERIMETER AROUND THE CONTACT SURFACE AREA.  
 d. ALL PLATINGS SHALL HAVE A 1.0% MAXIMUM BY WEIGHT IMPURITIES. IMPURITIES ARE DEFINED AS ALL ELEMENTS NOT THE PRIMARY PLATING OR HARDENING AGENT IF APPLICABLE, AS DETERMINED BY WET CHEMICAL ANALYSIS OR AUGER METHOD. NO SINGLE IMPURITY SHALL EXCEED 0.1% MAXIMUM BY WEIGHT.  
 3. TESTING  
 a. THICKNESS TO BE MEASURED IN CONTACT SURFACE AREA PLUS 0.5MM PERIMETER AROUND THE CONTACT SURFACE AREA AS DESIGNATED IN THE DRAWING. THICKNESS SHALL BE DETERMINED BY METHOD OF X-RAY (XRF).  
 b. PLATING ADHESION SHALL BE TESTED BY A BEND TEST FOR ALL METALS. THE TEST SAMPLE SHALL BE BENT 90 DEGREES TO DETERMINE DEPOSIT ADHESION. TESTING SHALL BE COMPLETED IN ACCORDANCE WITH ASTM SPEC B571.

**2. DESIGN - GENERAL:**

- A. THIS IS A 100% CAD GENERATED PART. THE CAD MATHEMATICAL DATA IS THE MASTER FOR THIS PART. WHERE DIMENSIONS ARE SPECIFIED ON THE DRAWING, THE DRAWING IS THE AUTHORITY FOR DIMENSIONAL VALUES. FOR DIMENSIONAL OR ANY INFORMATION NOT SHOWN ON THIS DRAWING ANALYZE THE CAD MODEL.**  
**B. DIMENSIONS OBTAINED FROM THE DIGITAL MODEL ARE BASIC:**  
 1. FOR RELATIONSHIPS BETWEEN FEATURES WHEN ESTABLISHED BY GEOMETRIC TOLERANCES.  
 2. FOR THE FORM OF A FEATURE WHEN CONTROLLED BY A PROFILE TOLERANCE.  
 3. FOR THE SIZE, FORM AND/OR RELATIONSHIP BETWEEN FIXED DATUM TARGETS.  
**C. DIMENSIONS OBTAINED FROM THE DIGITAL MODEL ARE ROUNDED TO TWO DECIMAL PLACES (PER IEEE/ASTM SI 10-2002)**  
**D. VIEWS AND SECTIONS ON THIS DRAWING ARE IN ACCORDANCE WITH GM DCS SECTION C3.**  
**E. THE DIGITAL MODEL MUST CORRESPOND TO THE RELEASE LEVEL SHOWN IN THE PART BLOCK ON THIS DOCUMENT.**  
**F. TOLERANCES:**  
 1. LINEAR 0.X ± 0.30  
 0.XX ± 0.10  
 0.XXX ± 0.10  
 2. ANGULAR X° ± 3°  
 3.   
**G. MINIMUM WALL THICKNESS REQUIRED: 1.3mm.**  
**H. CORNERS SHOWN AS SHARP TO BE R 0.2 MAX.**  
**J. LETTERING SHALL BE 0.15 MAX RAISED IN 0.20 MAX RECESS PAD. THIS INCLUDES MATERIAL CODE, RECYCLING CODE, CAVITY ID AND DATE CODE.**  
**K-1. PARTS MUST BE FREE OF DISCOLORATION, SALT RESIDUE AND OTHER IMPERFECTIONS THAT AFFECT FIT OR FUNCTION.**  
**K-2. SCRATCHES OR DENTS NOT TO EXCEED 0.013mm IN DEPTH.**  
**L. FOLLOWING PRODUCTION CODES TO BE PERMANENTLY MARKED & HUMAN READABLE TO A LETTER HEIGHT OF 1.5 ±0.5MM X 0.3 MAX DEEP**  
 1. MATERIAL #: XXXXX-XXXX  
 2. DATE CODE: JJY (JULIAN DAY, LAST DIGIT OF YEAR)  
 3. INSPECTION MACHINE CODE + SERIAL #: X.XXXXX

**3. DESIGN - MANUFACTURING:**

- A. DRAFT TO BE WITHIN TOLERANCE.**  
**B. ALLOWABLE FLASH MAX 0.2 HIGH X MAX 0.13 THICK.**  
**C. ALLOWABLE PARTING LINE MISMATCH 0.2 MAX.**  
**D. EJECTOR PINS MARK TO BE FLUSH TO 0.25 MAX DEPRESSED.**  
**E. ALLOWABLE GATE VESTIGIE FLUSH TO 0.25 MAX PROTRUSION.**  
**F. NO EXTERNAL MOLD RELEASE AGENT ALLOWED DURING MANUFACTURING.**  
**G. STEEL THAT FORMS THE INDICATED SURFACE MUST BE POLISHED WITH A DIAMOND FINISH (SPI A-2) OVER THE FULL PERIPHERY OF THE TOOL. SURFACE MUST HAVE NO MISMATCH.**  
**H. ANY PROCESS LUBRICANT REMAINING ON THE TERMINAL MUST NOT VARNISH OR DEGRADE IT'S ELECTRICAL PERFORMANCE UP TO A MAXIMUM CLASS AMBIENT TEMPERATURE PER SAE USCAR-2 FOR 1008 HOURS. PROCESS LUBRICANTS SHOULD BE APPROVED BY THE RESPONSIBLE ENGINEER.**  
**J. OPTIONAL FEATURES PROVIDED FOR AUTOMATION.**  
**K. PART MUST BE FREE FROM BURRS AND SHARP EDGES, WHICH MIGHT BE DETRIMENTAL TO SATISFACTORY ASSEMBLY, SAFE HANDLING OR FUNCTION OF PART.**  
**L. PARTS AS DELIVERED TO ASSEMBLY SHALL BE CLEAN AND FREE OF DEBRIS, RESIDUAL ABRASIVE MATERIAL AND CORROSION PRODUCTS ADVERESLY AFFECTING FUNCTION OR APPEARANCE.**  
**M. RESTRICTED AND REPORTABLE SUBSTANCES FOR PARTS PER GMW3059.**

ENTER DESCRIPTION IEC NO: UAU2017-0870 DRAWN: CHITALIA 2017/03/17 CHKD: APPR: VKOSHY 2017/03/19 REL:	QUALITY SYMBOLS	GENERAL TOLERANCES (UNLESS SPECIFIED)	DIMENSION STYLE	SCALE	DESIGN UNITS	THIRD ANGLE PROJECTION
	∇=0 ∇=0 ∇=0	mm INCH 4 PLACES ± --- ± --- 3 PLACES ± --- ± --- 2 PLACES ± 0.13 ± --- 1 PLACE ± 0.25 ± --- 0 PLACE ± --- ± ---	MM ONLY DRAWN BY DATE SKRA JENDRANA 2016/12/15 CHECKED BY DATE VKOSHY 2016/12/15 APPROVED BY DATE VKOSHY 2017/03/03	1:1	METRIC	
A4	ANGULAR ± 1 ° DRAFT WHERE APPLICABLE MUST REMAIN WITHIN DIMENSIONS	MATERIAL NO. SEE BOM TABLE	DOCUMENT NO. SD-34576-0001	TITLE ICD - MX123 18/49/56CKT INTERFACE CONNECTION DRW MOLEX		
				SHEET NO. 5 OF 22		THIS DRAWING CONTAINS INFORMATION THAT IS PROPRIETARY TO MOLEX INCORPORATED AND SHOULD NOT BE USED WITHOUT WRITTEN PERMISSION

20 19 18 17 16 15 14 13 12 11 10 9 8 7 6 5 4 3 2 1

NOTES: UNLESS OTHERWISE SPECIFIED

4. SYSTEM REQUIREMENTS:

A. HARNESS CONNECTOR IS COMPATIBLE WITH THE FOLLOWING WIRE SIZE NO'S:  
 0.35mm<sup>2</sup>, MEETING GMW15626 - MIN OD OF 1.20MM  
 0.50mm<sup>2</sup>, MEETING GMW15626 - MIN OD OF 1.20MM  
 0.75mm<sup>2</sup>, MEETING GMW15626 - MAX OD OF 2.06MM

B. CABLE TIE SPECIFICATIONS:  
 1. CABLE TIE:  
 TENSILE RATING: 220N / (50lbs) MIN  
 TIE LENGTH: 180mm MIN  
 TIE WIDTH: 4.75mm MAX  
 MATERIAL: NYLON  
 2. INSTALLATION:  
 CABLE TIE TENSION: 190N MIN  
 3. DRESSED WIRE BUNDLE PACKAGING: SEE FIG. 1

C. WHEN MATED WITH COMPONENT CONNECTOR INTERFACE AND/OR DRESS COVER, HARNESS CONNECTOR SYSTEM CONFORMS TO THE FOLLOWING:  
 1. SAE/USCAR-2, REV: 3 APRIL, 2001, CLASS 3  
 2. FIELD CORRELATED LIFE TEST, SAE/USCAR-20, NOV, 2001  
 3. GMW #3191 AUGUST 22, 2000 (DRAFT), TEMPERATURE CLASS 3 (145°C), SEALING CLASS 1 (HIGH PRESSURE SPRAY), VIBRATION CLASS 2 (ON BODY)  
 4. TPA USER FORCES (FULLY POPULATED WITH TERMINALS)  
 a. REMOVAL FROM LOCK TO PRE-SET: <=120N

D. WIRE SPECIFICATIONS:  
 1. WIRE SURFACE MUST BE FREE OF SCRATCHES, GROOVES OR DENTS WHERE FUNCTIONAL

5. TERMINAL CURRENT RATINGS:

A. MX64 RCPT TERM  
 ALL TESTING DONE IN ACCORDANCE WITH USCAR-2 REV5 SECTION 5.3

- 1. MX64 RCPT TERM Ag 0.50/0.75mm<sup>2</sup> CRIMPED TO 0.75mm<sup>2</sup> ISO WIRE AND MATED TO MX123 0.64MM PIN: SEE TABLE BELOW
- 2. MX64 RCPT TERM Ag 0.35mm<sup>2</sup> CRIMPED TO 0.35mm<sup>2</sup> ISO WIRE AND MATED TO MX123 0.64MM PIN: SEE TABLE BELOW

WIRE	CURRENT RATING			
	23 °C	85 °C	105 °C	125 °C
0.75mm <sup>2</sup>	11.3A	11.3A	9.5A	6.6A
0.50mm <sup>2</sup>	10.0A	10.0A	8.3A	5.7A
0.35mm <sup>2</sup>	8.5A	8.5A	7.1A	5.0A

B. 2.8MM RCPT TERM  
 ALL TESTING DONE IN ACCORDANCE WITH MOLEX DVP&R 0279 (TR# 7125)

- 1. 2.8MM RCPT TERM TIN 2.0mm<sup>2</sup> CRIMPED TO 2.0mm<sup>2</sup> ISO WIRE AND MATED TO MX123 2.8MM BLADE: 25.6 AMPS AT 125°C

C. 6.3MM RCPT TERM - DELPHI APEX  
 ALL TESTING DONE IN ACCORDANCE WITH USCAR-2 REV5 SECTION 5.3

- 1. 6.3MM RCPT TERM TIN/SILVER CRIMPED TO 6.0MM BLADE (Sn/Ag PLATED): 36A AT 125°C

6. CONTACT MOLEX AUTOMOTIVE FOR AVAILABLE CUSTOM PATTERNS OF CAVITIES OPEN FOR CIRCUITS - SEE GM DRAWING 13507495

ENTER DESCRIPTION EC NO: UAU2017-0870 DRAWN BY: DRWACHITALIA 2017/03/17 CHKD: APPR: VKOSHY 2017/03/17	QUALITY SYMBOLS	GENERAL TOLERANCES (UNLESS SPECIFIED)	DIMENSION STYLE	SCALE	DESIGN UNITS	THIRD ANGLE PROJECTION
	▽=0	m/m INCH	MM ONLY	1:1	METRIC	
	▽=0	4 PLACES ± --- ± ---	DRAWN BY DATE			
	▽=0	3 PLACES ± --- ± ---	SKRAJENDRANA 2016/12/15			
	2 PLACES ± 0.13 ± ---	CHECKED BY DATE				TITLE ICD - MX123 18/49/56CKT INTERFACE CONNECTION DRW MOLEX
	1 PLACE ± 0.25 ± ---	VKOSHY 2016/12/15				
	0 PLACE ± --- ± ---	APPROVED BY DATE				
		VKOSHY 2017/03/03				
	ANGULAR ± 1 °	MATERIAL NO.	DOCUMENT NO.			SHEET NO.
	DRAFT WHERE APPLICABLE MUST REMAIN WITHIN DIMENSIONS	SEE BOM TABLE	SD-34576-0001			6 OF 22
		THIS DRAWING CONTAINS INFORMATION THAT IS PROPRIETARY TO MOLEX INCORPORATED AND SHOULD NOT BE USED WITHOUT WRITTEN PERMISSION				

19 18 17 16 15 14 13 12 11 10 9 8 7 6 5 4 3 2 1

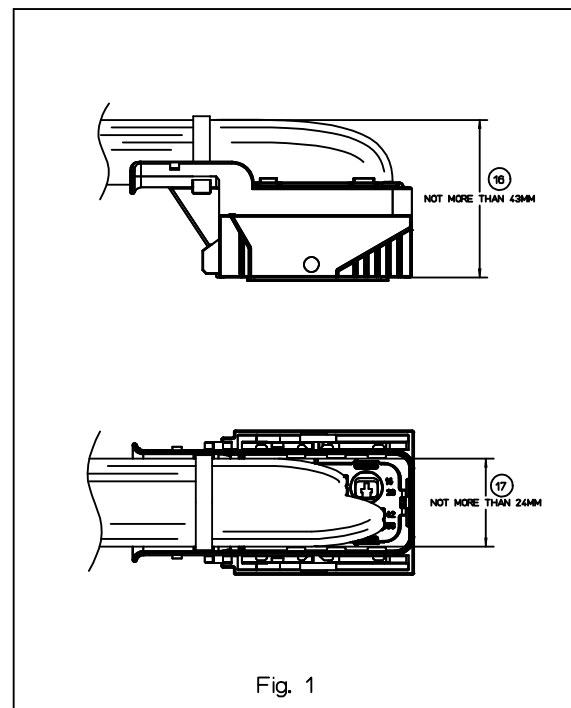
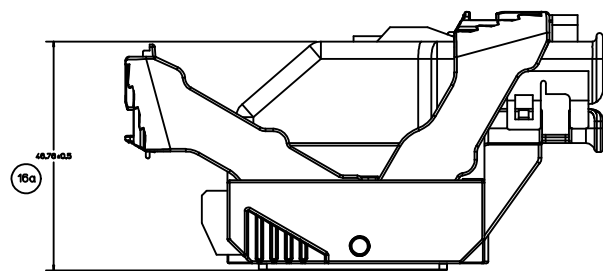
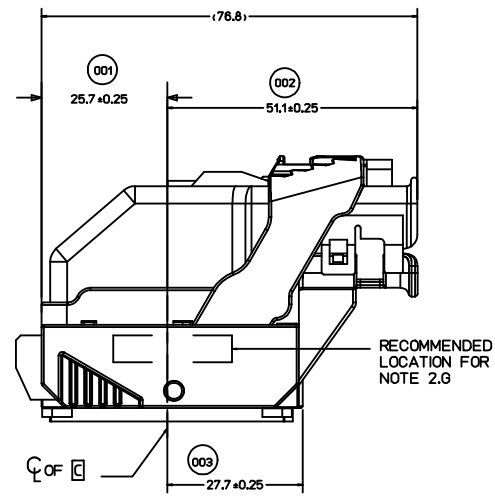
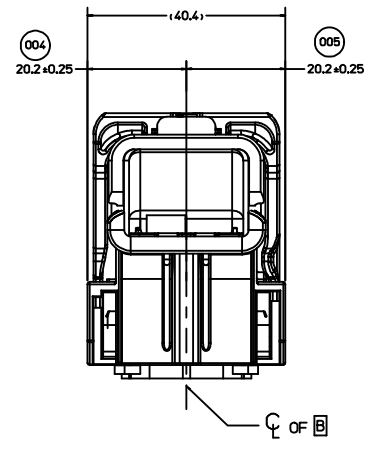


Fig. 1

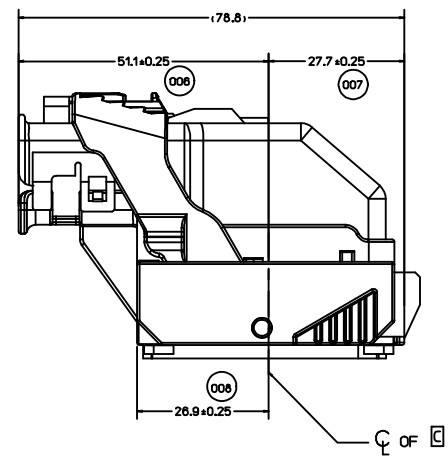
ENTER DESCRIPTION EC NO: UAU2017-0870 DRW: NACHITALIA 2017/03/27 CHKD: APPR: VKOSHY 2017/03/29 REV:	QUALITY SYMBOLS	GENERAL TOLERANCES (UNLESS SPECIFIED)	DIMENSION STYLE	SCALE	DESIGN UNITS	THIRD ANGLE PROJECTION
	▽=0	m/m INCH	MM ONLY	1:1	METRIC	
	▽=0	4 PLACES ± --- ± ---	DRAWN BY DATE			
	▽=0	3 PLACES ± --- ± ---	SKRAJENDRANA 2016/12/15	TITLE		
	2 PLACES ± 0.13 ± ---	CHECKED BY DATE	ICD - MX123 18/49/56CKT			
	1 PLACE ± 0.25 ± ---	VKOSHY 2016/12/15	INTERFACE CONNECTION DRW			
	0 PLACE ± --- ± ---	APPROVED BY DATE	MOLEX			
		VKOSHY 2017/03/03	MATERIAL NO.	DOCUMENT NO.	SHEET NO.	
			SEE BOM TABLE	SD-34576-0001	7 OF 22	
			THIS DRAWING CONTAINS INFORMATION THAT IS PROPRIETARY TO MOLEX INCORPORATED AND SHOULD NOT BE USED WITHOUT WRITTEN PERMISSION			



WIRE DRESS OPTION 0 SHOWN



WIRE DRESS OPTION 0 SHOWN

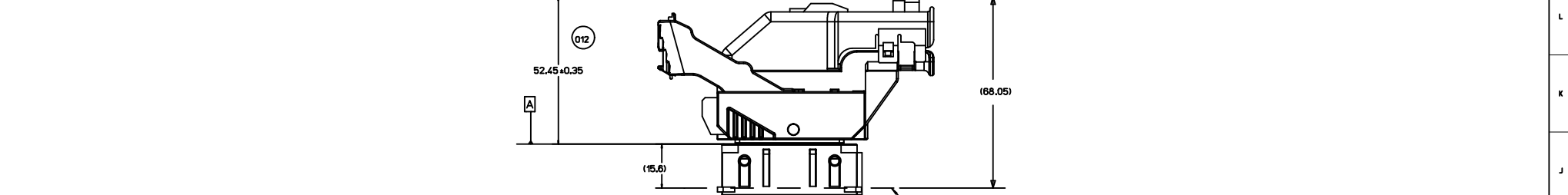


WIRE DRESS OPTION 9 SHOWN

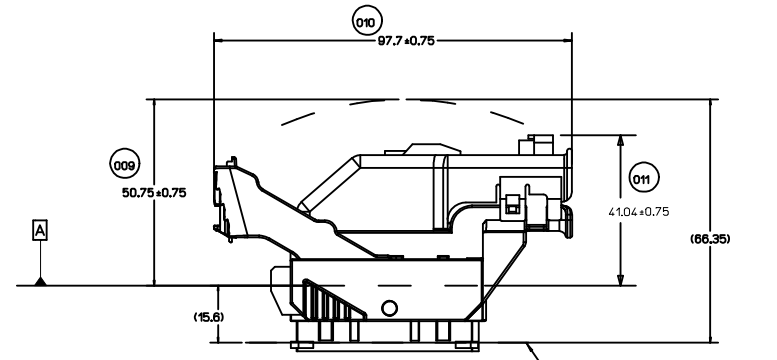
<b>ENTER DESCRIPTION</b> EC. NO: UAU2017-0870 DRAWN: ACHITAJIA 2017/03/27 CHKD: APPR: VKOSHY 2017/03/29 REV:	QUALITY SYMBOLS	GENERAL TOLERANCES (UNLESS SPECIFIED)	DIMENSION STYLE	SCALE	DESIGN UNITS	THIRD ANGLE PROJECTION
	▽=0	mm INCH	MM ONLY	1:1	METRIC	
	▽=0	4 PLACES ± --- ± ---	DRAWN BY DATE			
	▽=0	3 PLACES ± --- ± ---	SKRAJENDRANA 2016/12/15			
	2 PLACES ± 0.13 ± ---	CHECKED BY DATE				TITLE <b>ICD - MX123 18/49/56CKT</b> <b>INTERFACE CONNECTION DRW</b> <b>MOLEX</b>
	1 PLACE ± 0.25 ± ---	VKOSHY 2016/12/15				
	0 PLACE ± --- ± ---	APPROVED BY DATE				<b>molex</b> MATERIAL NO. DOCUMENT NO.
	ANGULAR ± 1 °	VKOSHY 2017/03/03				
	DRAFT WHERE APPLICABLE MUST REMAIN WITHIN DIMENSIONS	SEE BOM TABLE				SHEET NO. 8 OF 22
		THIS DRAWING CONTAINS INFORMATION THAT IS PROPRIETARY TO MOLEX INCORPORATED AND SHOULD NOT BE USED WITHOUT WRITTEN PERMISSION				

20 19 18 17 16 15 14 13 12 11 10 9 8 7 6 5 4 3 2 1

M H

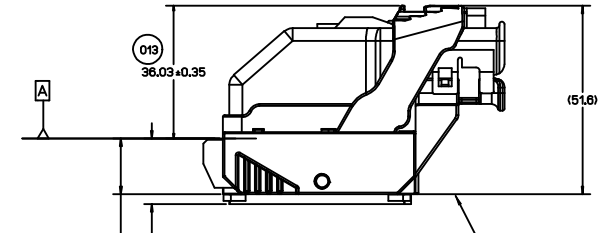


HARNESS CONNECTOR CLEARANCE LINE



HARNESS CONNECTOR ASSEMBLY IN PRE-LOCK POSITION

HARNESS CONNECTOR CLEARANCE LINE



HARNESS CONNECTOR ASSEMBLY IN FULLY-MATED POSITION

HARNESS CONNECTOR CLEARANCE LINE

012 MIL AT PAD LOCATION CLEARANCE REQUIRED FOR HARNESS CONNECTOR CONSTRUCTION BELOW THIS PLANE IS NOT CONTROLLED

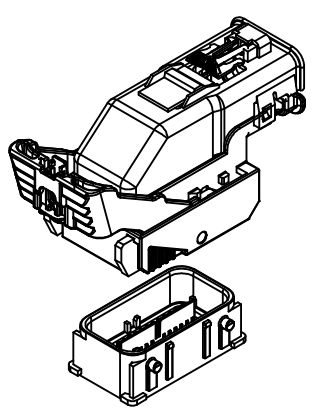
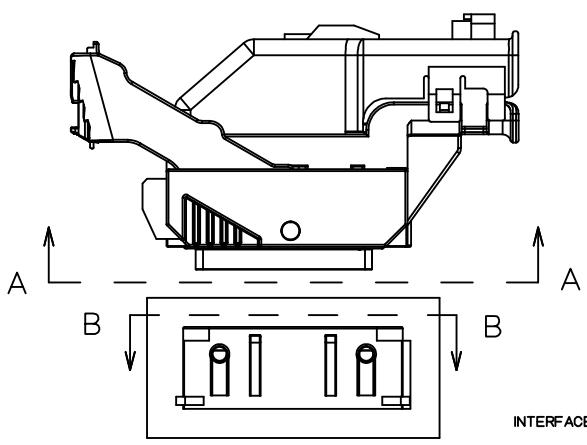
014 MIL ALL AROUND CLEARANCE REQUIRED FOR HARNESS CONNECTOR

<b>ENTER DESCRIPTION</b> EC NO: UAU2017-0870 DRAWN BY: DRWACHITAJIA 2017/03/27 CHKD: APPR: VKOSHY 2017/03/29	QUALITY SYMBOLS	GENERAL TOLERANCES (UNLESS SPECIFIED)	DIMENSION STYLE	SCALE	DESIGN UNITS	THIRD ANGLE PROJECTION
	▽=0	mm INCH	MM ONLY	1:1	METRIC	
	▽=0	4 PLACES ± --- ± ---	DRAWN BY DATE			
	▽=0	3 PLACES ± --- ± ---	SKRAJENDRANA 2016/12/15			
	2 PLACES ± 0.13 ± ---	CHECKED BY DATE				TITLE ICD - MX123 18/49/56CKT INTERFACE CONNECTION DRW MOLEX
	1 PLACE ± 0.25 ± ---	VKOSHY 2016/12/15				
	0 PLACE ± --- ± ---	APPROVED BY DATE				<b>molex</b> MATERIAL NO. DOCUMENT NO. SHEET NO. SEE BOM TABLE SD-34576-0001 9 OF 22
	ANGULAR ± 1 °	VKOSHY 2017/03/03				
	DRAFT WHERE APPLICABLE MUST REMAIN WITHIN DIMENSIONS					THIS DRAWING CONTAINS INFORMATION THAT IS PROPRIETARY TO MOLEX INCORPORATED AND SHOULD NOT BE USED WITHOUT WRITTEN PERMISSION

19 18 17 16 15 14 13 12 11 10 9 8 7 6 5 4 3 2 1

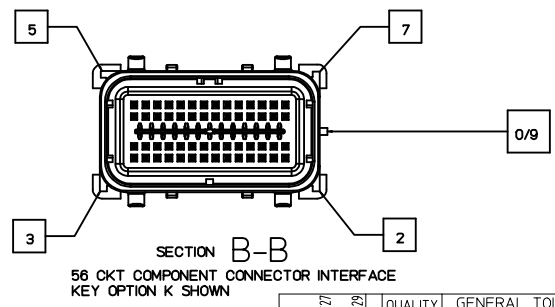
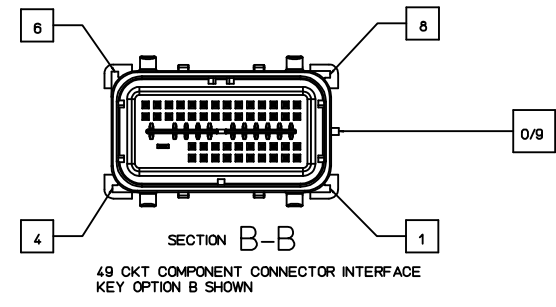
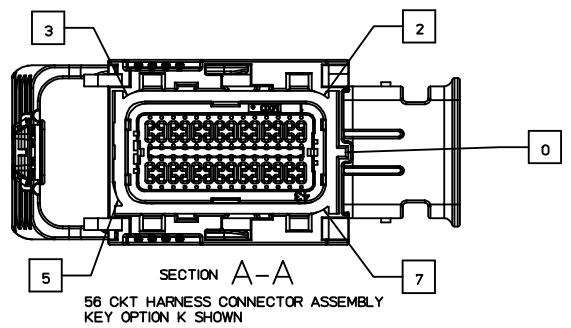
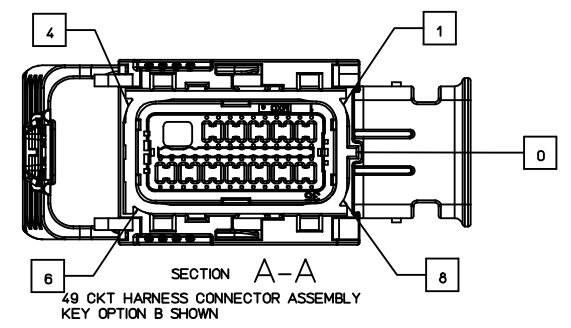
M H

20 19 18 17 16 15 14 13 12 11 10 9 8 7 6 5 4 3 2 1



NOTE: REFERENCE THE COMPONENT TABLE FOR KEY OPTIONS AND CONFIGURATIONS

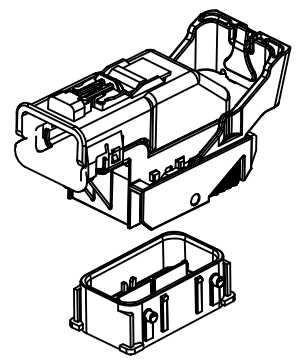
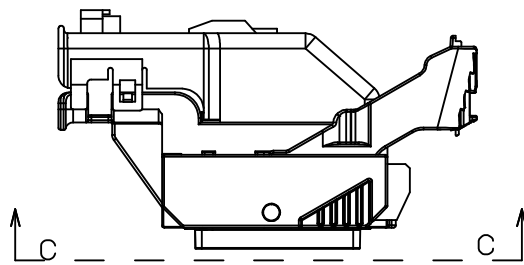
INTERFACE SIDE SHOWN IN ALL SECTION VIEWS



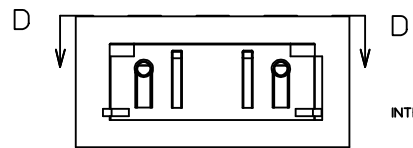
<b>ENTER DESCRIPTION</b> EC NO: UAU2017-0870 DRAWN BY: DRWACHITALIA 2017/03/17 CHKD: APPR: VKOSHY 2017/03/29 REV: A4	<b>QUALITY SYMBOLS</b> ∇=0 ∇=0 ∇=0	<b>GENERAL TOLERANCES (UNLESS SPECIFIED)</b> <table border="1"> <thead> <tr> <th></th> <th>mm</th> <th>INCH</th> </tr> </thead> <tbody> <tr> <td>4 PLACES ±</td> <td>---</td> <td>---</td> </tr> <tr> <td>3 PLACES ±</td> <td>---</td> <td>---</td> </tr> <tr> <td>2 PLACES ±</td> <td>0.13</td> <td>---</td> </tr> <tr> <td>1 PLACE ±</td> <td>0.25</td> <td>---</td> </tr> <tr> <td>0 PLACE ±</td> <td>---</td> <td>---</td> </tr> </tbody> </table>		mm	INCH	4 PLACES ±	---	---	3 PLACES ±	---	---	2 PLACES ±	0.13	---	1 PLACE ±	0.25	---	0 PLACE ±	---	---	<b>DIMENSION STYLE</b> MM ONLY DRAWN BY: SKRA JENDRANA 2016/12/15 CHECKED BY: VKOSHY 2016/12/15 APPROVED BY: VKOSHY 2017/03/03	<b>SCALE</b> 1:1 <b>DESIGN UNITS</b> METRIC	<b>TITLE</b> ICD - MX123 18/49/56CKT INTERFACE CONNECTION DRW MOLEX	<b>THIRD ANGLE PROJECTION</b>
		mm	INCH																					
	4 PLACES ±	---	---																					
	3 PLACES ±	---	---																					
2 PLACES ±	0.13	---																						
1 PLACE ±	0.25	---																						
0 PLACE ±	---	---																						
<b>ANGULAR</b> ± 1° <b>DRAFT WHERE APPLICABLE</b> MUST REMAIN WITHIN DIMENSIONS	<b>MATERIAL NO.</b> SEE BOM TABLE	<b>DOCUMENT NO.</b> SD-34576-0001	<b>SHEET NO.</b> 10 OF 22																					
THIS DRAWING CONTAINS INFORMATION THAT IS PROPRIETARY TO MOLEX INCORPORATED AND SHOULD NOT BE USED WITHOUT WRITTEN PERMISSION																								

19 18 17 16 15 14 13 12 11 10 9 8 7 6 5 4 3 2 1

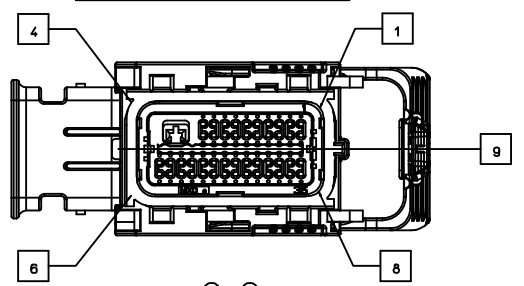
20 19 18 17 16 15 14 13 12 11 10 9 8 7 6 5 4 3 2 1



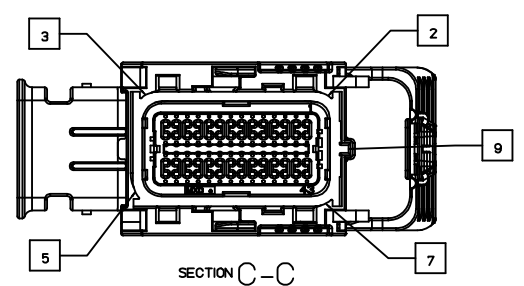
NOTE: REFERENCE THE COMPONENT TABLE FOR KEY OPTIONS AND CONFIGURATIONS



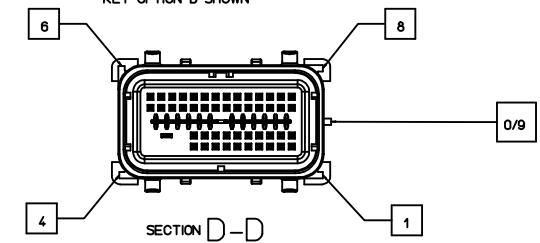
INTERFACE SIDE SHOWN ON ALL SECTION VIEWS



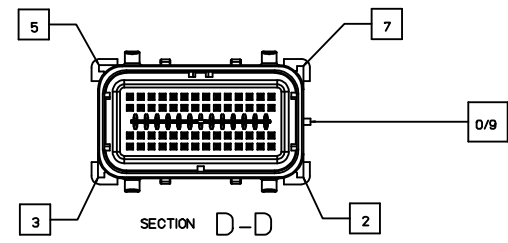
SECTION C-C  
49 CKT HARNESS CONNECTOR ASSEMBLY  
KEY OPTION B SHOWN



SECTION C-C  
56 CKT HARNESS CONNECTOR ASSEMBLY  
KEY OPTION K SHOWN



SECTION D-D  
49 CKT COMPONENT CONNECTOR INTERFACE  
KEY OPTION B SHOWN



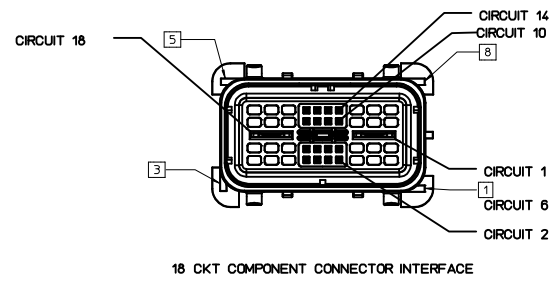
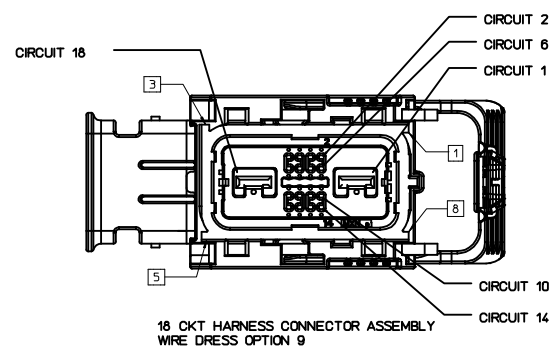
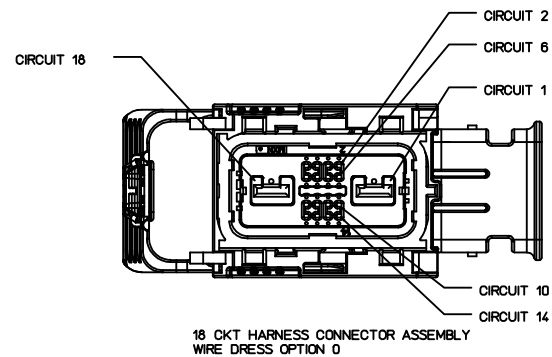
SECTION D-D  
56 CKT COMPONENT CONNECTOR INTERFACE  
KEY OPTION K SHOWN

<b>ENTER DESCRIPTION</b> EC. NO: UAU2017-0870 DRAWN: CRITALIA 2017/03/27 CHKD: APPR: VKOSHY 2017/03/29 REV:	QUALITY SYMBOLS	GENERAL TOLERANCES (UNLESS SPECIFIED)	DIMENSION STYLE	SCALE	DESIGN UNITS	THIRD ANGLE PROJECTION
	▽=0	mm INCH	MM ONLY	1:1	METRIC	
	▽=0	4 PLACES ± --- ± ---	DRAWN BY DATE			
	▽=0	3 PLACES ± --- ± ---	SKRAJENDRANA 2016/12/15	TITLE		
	2 PLACES ± 0.13 ± ---	CHECKED BY DATE	ICD - MX123 18/49/56CKT			
	1 PLACE ± 0.25 ± ---	VKOSHY 2016/12/15	INTERFACE CONNECTION DRW			
	0 PLACE ± --- ± ---	APPROVED BY DATE	MOLEX			
		VKOSHY 2017/03/03	MATERIAL NO.	DOCUMENT NO.	SHEET NO.	
					11 OF 22	
			SEE BOM TABLE SD-34576-0001			
			THIS DRAWING CONTAINS INFORMATION THAT IS PROPRIETARY TO MOLEX INCORPORATED AND SHOULD NOT BE USED WITHOUT WRITTEN PERMISSION			

19 18 17 16 15 14 13 12 11 10 9 8 7 6 5 4 3 2 1



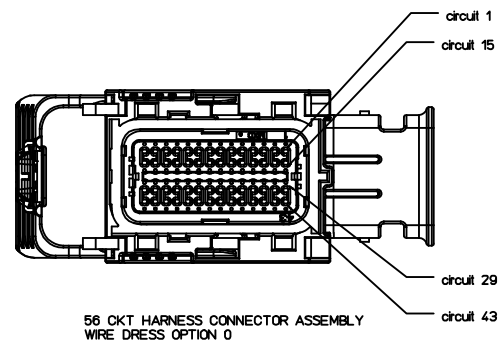
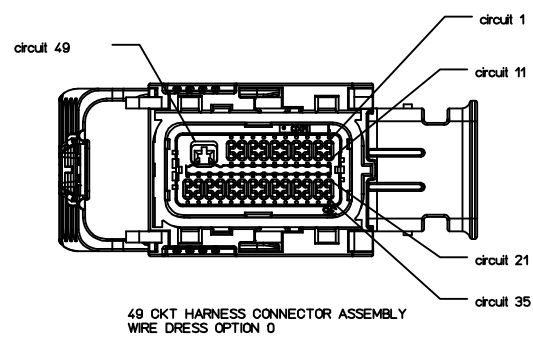
20 19 18 17 16 15 14 13 12 11 10 9 8 7 6 5 4 3 2 1



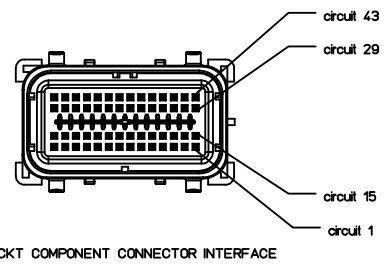
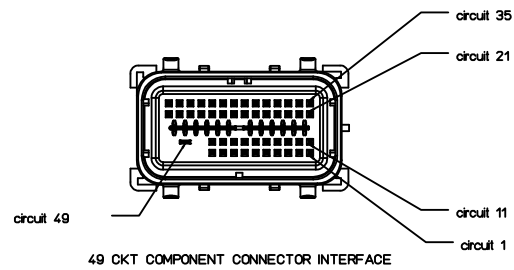
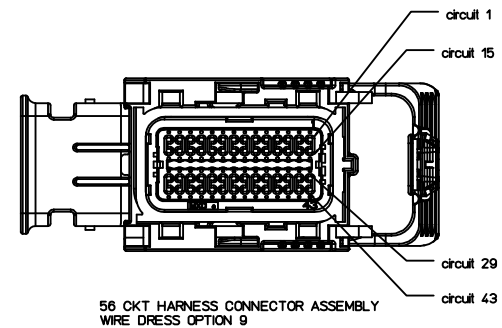
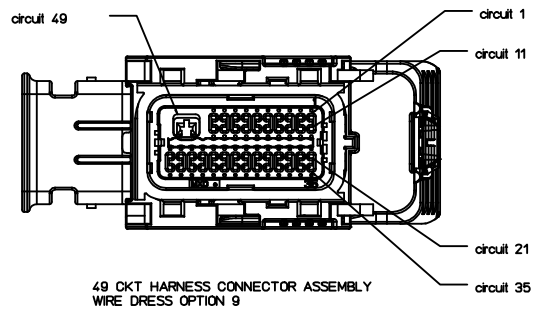
INTERFACE SIDE SHOWN ON ALL VIEWS

<b>ENTER DESCRIPTION</b> EC. NO: UAU2017-0870 DRAWN: CRITALLIA 2017/03/27 CHKD: APPR: VKOSHY 2017/03/29 REL:	QUALITY SYMBOLS	GENERAL TOLERANCES (UNLESS SPECIFIED)	DIMENSION STYLE	SCALE	DESIGN UNITS	THIRD ANGLE PROJECTION
	▽=0	m/m INCH	MM ONLY	1:1	METRIC	
	▽=0	4 PLACES ± --- ± ---	DRAWN BY DATE			
	▽=0	3 PLACES ± --- ± ---	SKRAJENDRANA 2016/12/15			
	2 PLACES ± 0.13 ± ---	CHECKED BY DATE				TITLE
	1 PLACE ± 0.25 ± ---	VKOSHY 2016/12/15				ICD - MX123 18/49/56CKT INTERFACE CONNECTION DRW MOLEX
	0 PLACE ± --- ± ---	APPROVED BY DATE				<b>molex</b>
		VKOSHY 2017/03/03				
	ANGULAR ± 1 °	MATERIAL NO.				DOCUMENT NO.
	DRAFT WHERE APPLICABLE MUST REMAIN WITHIN DIMENSIONS	SEE BOM TABLE				SD-34576-0001
		SIZE D				SHEET NO. 12 OF 22
						THIS DRAWING CONTAINS INFORMATION THAT IS PROPRIETARY TO MOLEX INCORPORATED AND SHOULD NOT BE USED WITHOUT WRITTEN PERMISSION

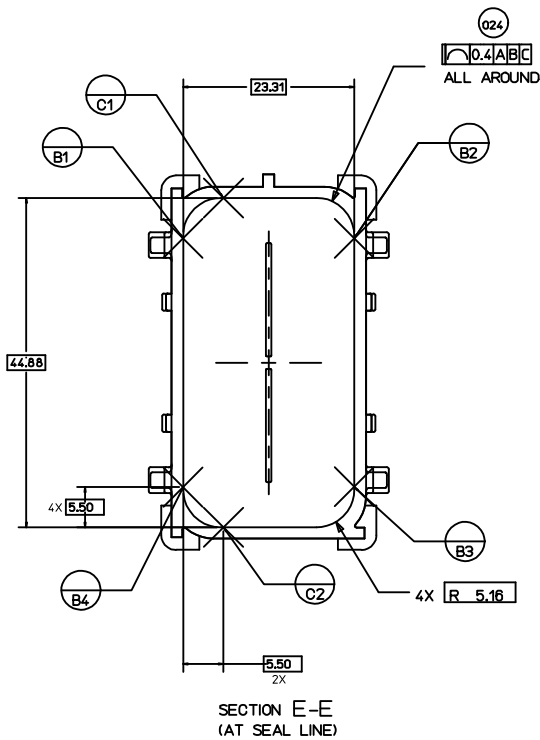
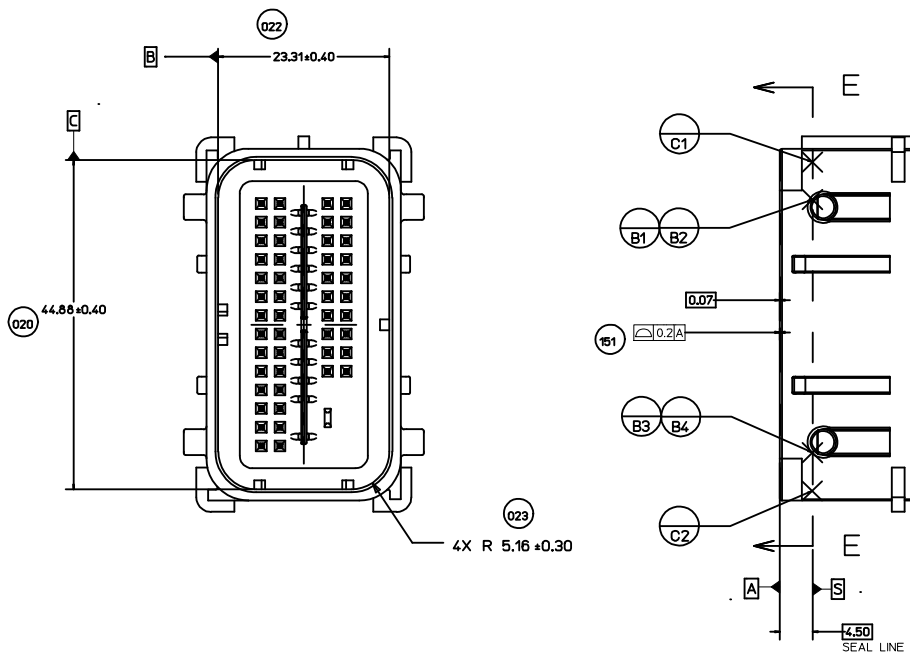
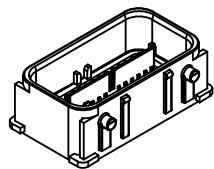
1d\_frame\_D\_P\_AM.T Rev. G 2012/01/11 19 18 17 16 15 14 13 12 11 10 9 8 7 6 5 4 3 2 1



INTERFACE SIDE SHOWN ON ALL VIEWS

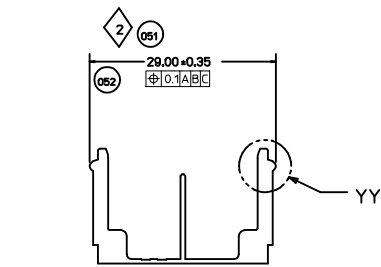
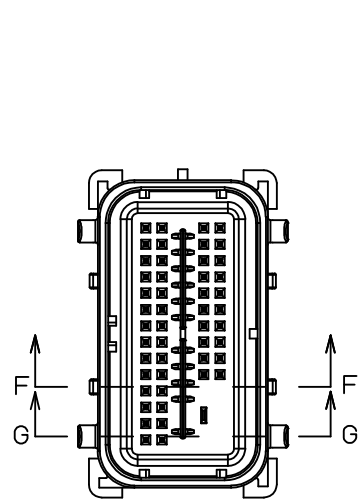


<b>ENTER DESCRIPTION</b> EC NO: UAU2017-0870 DRAWN BY: DRWASCHITALIA 2017/03/27 CHKD: APPR: VKOSHY 2017/03/29	QUALITY SYMBOLS	GENERAL TOLERANCES (UNLESS SPECIFIED)	DIMENSION STYLE	SCALE	DESIGN UNITS	THIRD ANGLE PROJECTION
	▽=0	m/m INCH	MM ONLY	1:1	METRIC	
	▽=0	4 PLACES ± --- ± ---	DRAWN BY DATE			
	▽=0	3 PLACES ± --- ± ---	SKRAJENDRANA 2016/12/15			
	▽=0	2 PLACES ± 0.13 ± ---	CHECKED BY DATE			
		1 PLACE ± 0.25 ± ---	VKOSHY 2016/12/15			
		0 PLACE ± --- ± ---	APPROVED BY DATE			
		ANGULAR ± 1 °	VKOSHY 2017/03/03			
		DRAFT WHERE APPLICABLE MUST REMAIN WITHIN DIMENSIONS	MATERIAL NO.	DOCUMENT NO.		
			SEE BOM TABLE	SD-34576-0001		
			THIS DRAWING CONTAINS INFORMATION THAT IS PROPRIETARY TO MOLEX INCORPORATED AND SHOULD NOT BE USED WITHOUT WRITTEN PERMISSION			

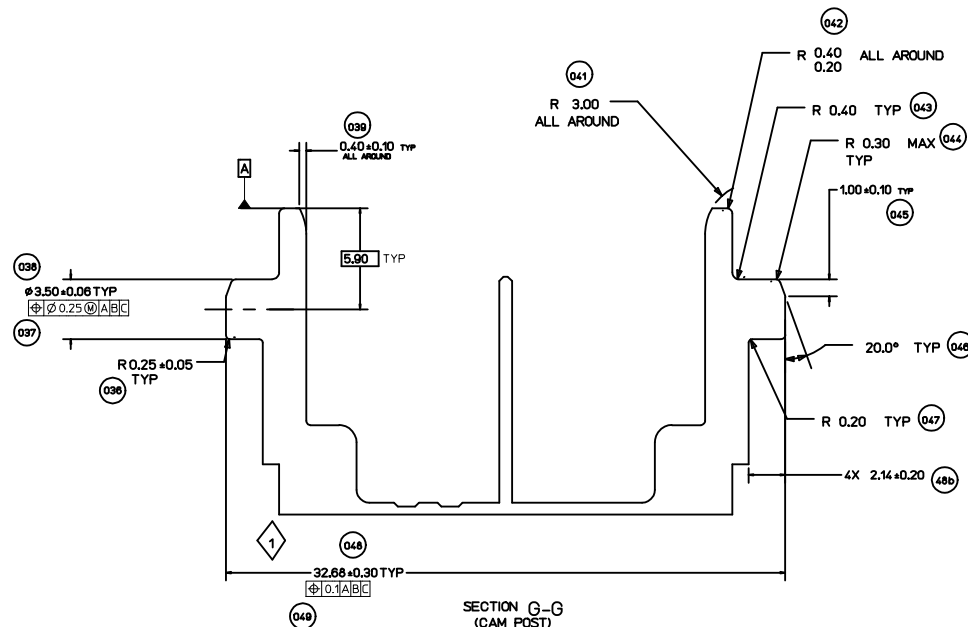
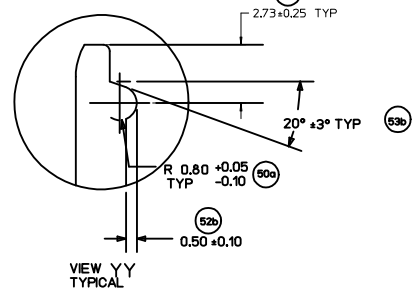
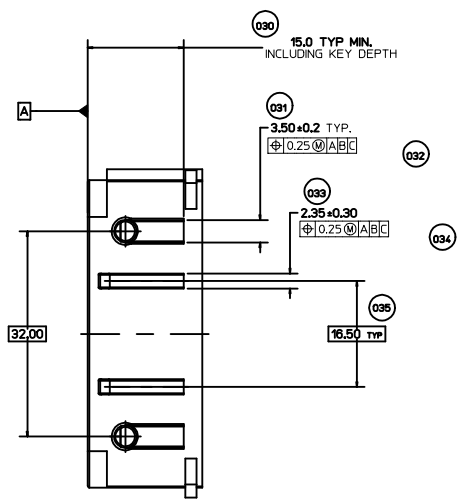


UNLESS SPECIFIED, TOLERANCE OF THE DEVICE INTERFACE TO BE  $\pm 0.13$  A B C

<b>ENTER DESCRIPTION</b> IEC NO: UAU2017-0870 DRAWN BY: DRWANACHITALIA CHKD: APPR: VKOSHY A4	2017/03/27 2017/03/29	QUALITY SYMBOLS	GENERAL TOLERANCES (UNLESS SPECIFIED)	DIMENSION STYLE	SCALE	DESIGN UNITS	THIRD ANGLE PROJECTION
		$\nabla=0$ $\nabla=0$ $\nabla=0$	mm INCH 4 PLACES ± --- ± --- 3 PLACES ± --- ± --- 2 PLACES ± 0.13 ± --- 1 PLACE ± 0.25 ± --- 0 PLACE ± --- ± ---	MM ONLY	1:1	METRIC	
		DRAFT WHERE APPLICABLE MUST REMAIN WITHIN DIMENSIONS	ANGULAR ± 1 ° SEE BOM TABLE	DRAWN BY: SKRA JENDRANA CHECKED BY: VKOSHY APPROVED BY: VKOSHY DATE: 2016/12/15 DATE: 2016/12/15 DATE: 2017/03/03	TITLE: ICD - MX123 18/49/56CKT INTERFACE CONNECTION DRW MOLEX	MATERIAL NO. DOCUMENT NO. SD-34576-0001	SHEET NO. 14 OF 22
		THIS DRAWING CONTAINS INFORMATION THAT IS PROPRIETARY TO MOLEX INCORPORATED AND SHOULD NOT BE USED WITHOUT WRITTEN PERMISSION					

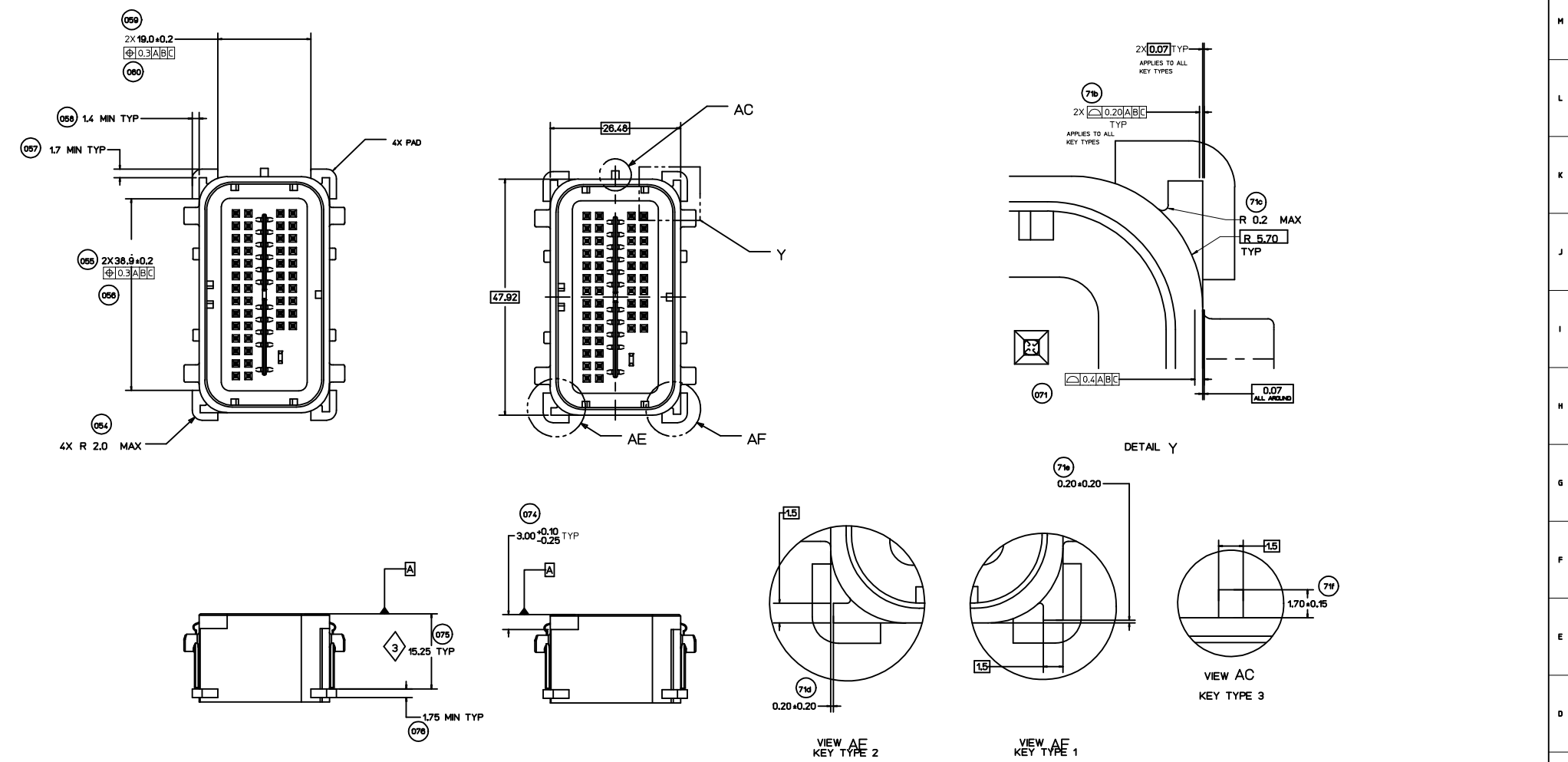


SECTION F-F  
(RELEASE FEATURE)



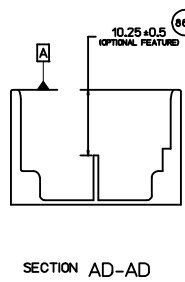
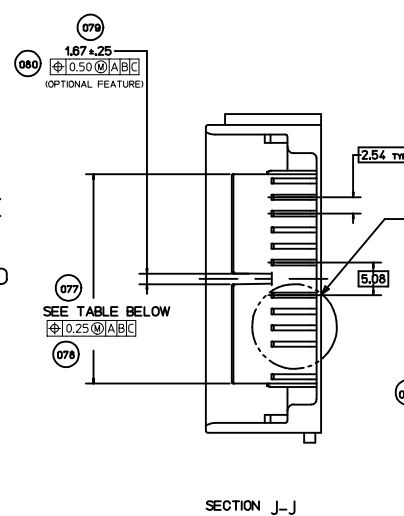
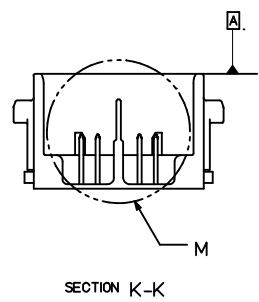
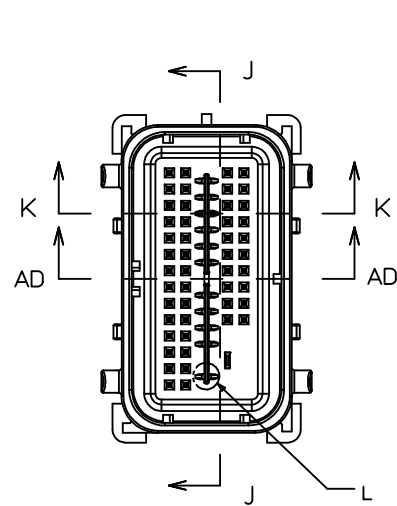
<b>ENTER DESCRIPTION</b> EC NO: UAU2017-0870 DRAWN: SKRAJENDRANA CHKD: SKRAJENDRANA APPR: VKOSHY DATE: 2017/03/15	<b>QUALITY SYMBOLS</b> ▽=0 ▽=0 ▽=0	<b>GENERAL TOLERANCES (UNLESS SPECIFIED)</b>		<b>DIMENSION STYLE</b> MM ONLY	<b>SCALE</b> 1:1	<b>DESIGN UNITS</b> METRIC	THIRD ANGLE PROJECTION
		4 PLACES ± --- ± --- 3 PLACES ± --- ± --- 2 PLACES ± 0.13 ± --- 1 PLACE ± 0.25 ± --- 0 PLACE ± --- ± ---	mm INCH	DRAWN BY: SKRAJENDRANA DATE: 2016/12/15 CHECKED BY: SKRAJENDRANA DATE: 2016/12/15 APPROVED BY: VKOSHY DATE: 2017/03/03	TITLE: ICD - MX123 18/49/56CKT INTERFACE CONNECTION DRW MOLEX	MATERIAL NO. SEE BOM TABLE	DOCUMENT NO. SD-34576-0001

20 19 18 17 16 15 14 13 12 11 10 9 8 7 6 5 4 3 2 1

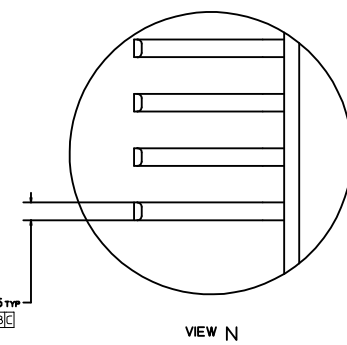
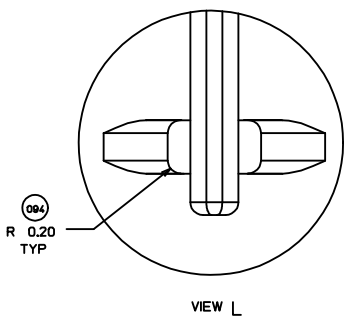
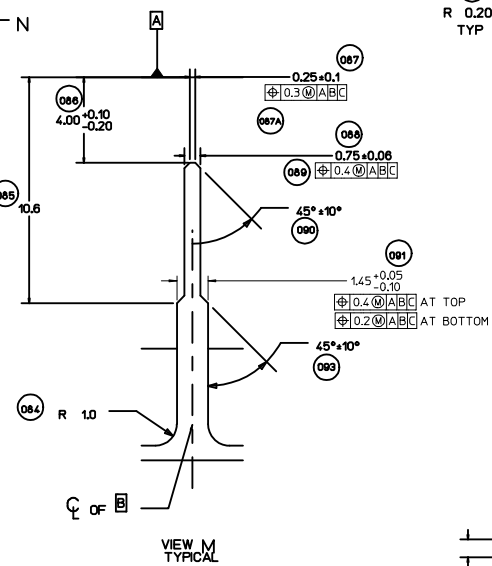


<b>ENTER DESCRIPTION</b> IEC NO: UAU2017-0870 DRAWN: ACHITALEA 2017/03/27 CHKD: APPR: VKOSHY 2017/03/29 REL:	QUALITY SYMBOLS	GENERAL TOLERANCES (UNLESS SPECIFIED)	DIMENSION STYLE	SCALE	DESIGN UNITS	THIRD ANGLE PROJECTION
	▽=0	mm INCH	MM ONLY	1:1	METRIC	
	▽=0	4 PLACES ± --- ± ---	DRAWN BY DATE			
	▽=0	3 PLACES ± --- ± ---	SKRA JENDRANA 2016/12/15			
	2 PLACES ± 0.13 ± ---	CHECKED BY DATE				TITLE <b>ICD - MX123 18/49/56CKT          INTERFACE CONNECTION DRW          MOLEX</b>
	1 PLACE ± 0.25 ± ---	VKOSHY 2016/12/15				
	0 PLACE ± --- ± ---	APPROVED BY DATE				<b>molex</b> MATERIAL NO. DOCUMENT NO. SHEET NO. SEE BOM TABLE SD-34576-0001 16 OF 22
	ANGULAR ± 1 °	VKOSHY 2017/03/03				
	DRAFT WHERE APPLICABLE MUST REMAIN WITHIN DIMENSIONS					

20 19 18 17 16 15 14 13 12 11 10 9 8 7 6 5 4 3 2 1



CKT	DIM (077)
49 / 56 CKT	32.80 +0.10/-0.80
18 CKT	10.04 +0.10/-0.80



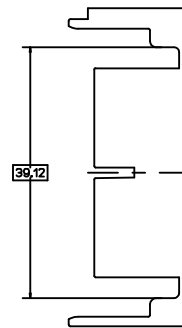
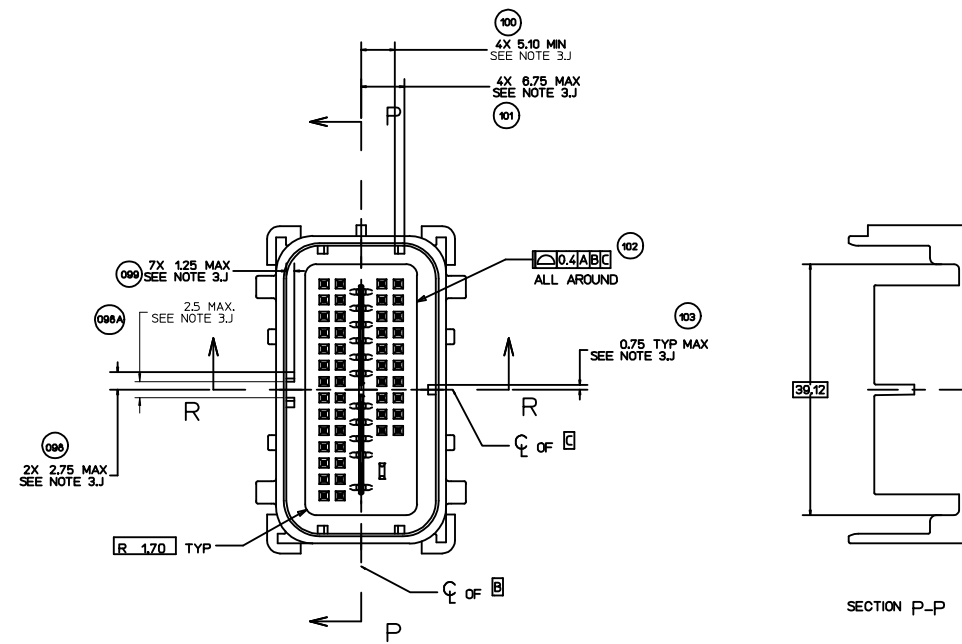
QUALITY SYMBOLS		GENERAL TOLERANCES (UNLESS SPECIFIED)		DIMENSION STYLE		SCALE	DESIGN UNITS	THIRD ANGLE PROJECTION	
SYMBOL	DESCRIPTION	mm	INCH	MM ONLY	INCH	1:1	METRIC	THIRD ANGLE PROJECTION	
$\nabla=0$	4 PLACES ± --- ± ---	± 0.10	± 0.004	MM ONLY	INCH	1:1	METRIC	THIRD ANGLE PROJECTION	
$\nabla=0$	3 PLACES ± --- ± ---	± 0.10	± 0.004	MM ONLY	INCH	1:1	METRIC	THIRD ANGLE PROJECTION	
$\nabla=0$	2 PLACES ± 0.13 ± ---	± 0.13	± 0.005	MM ONLY	INCH	1:1	METRIC	THIRD ANGLE PROJECTION	
$\nabla=0$	1 PLACE ± 0.25 ± ---	± 0.25	± 0.010	MM ONLY	INCH	1:1	METRIC	THIRD ANGLE PROJECTION	
$\nabla=0$	0 PLACE ± --- ± ---	± 0.25	± 0.010	MM ONLY	INCH	1:1	METRIC	THIRD ANGLE PROJECTION	

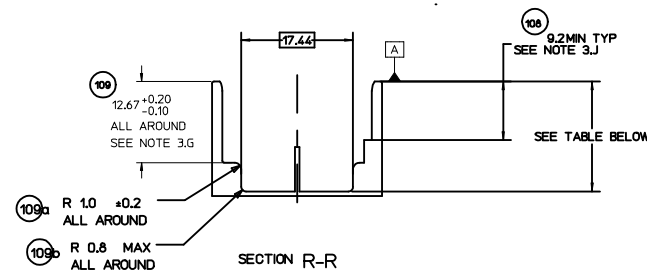
ENTER DESCRIPTION	DATE	APPROVED BY	DATE
SKRA JENDRANA	2016/12/15	VKOSHY	2017/03/03

ICD - MX123 18/49/56CKT	INTERFACE CONNECTION DRW	MOLEX
SD-34576-0001	17 OF 22	



SECTION P-P



SECTION R-R

CKT	DIM 108
49 / 56 CKT	17.20 +0.20/-0.10
18 CKT	17.50 +0.20/-0.10

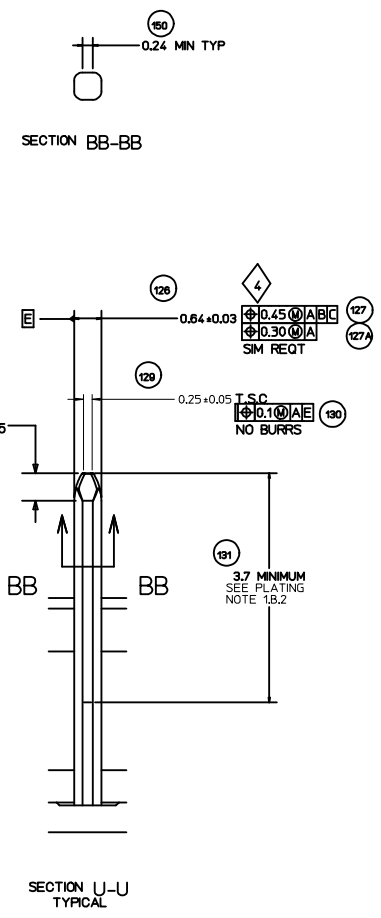
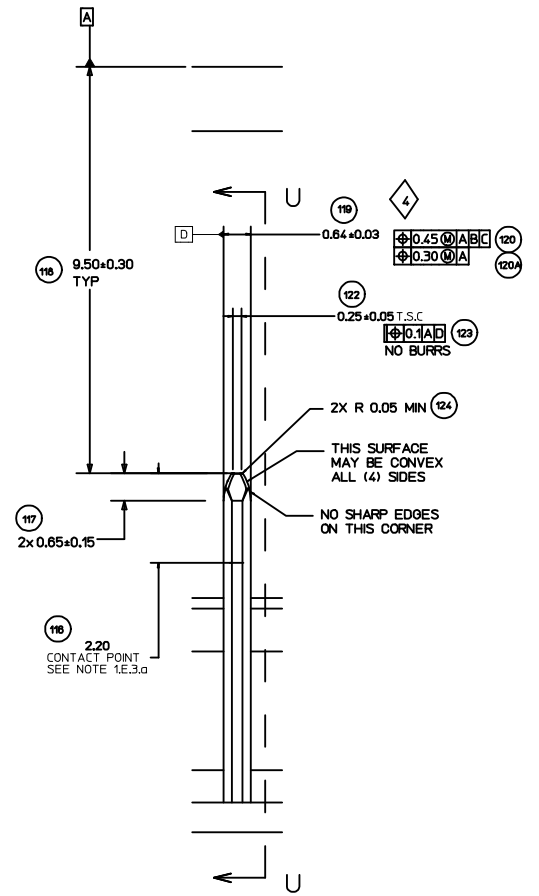
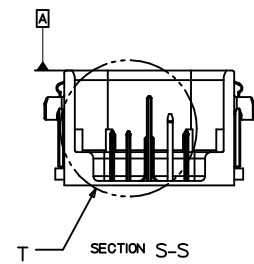
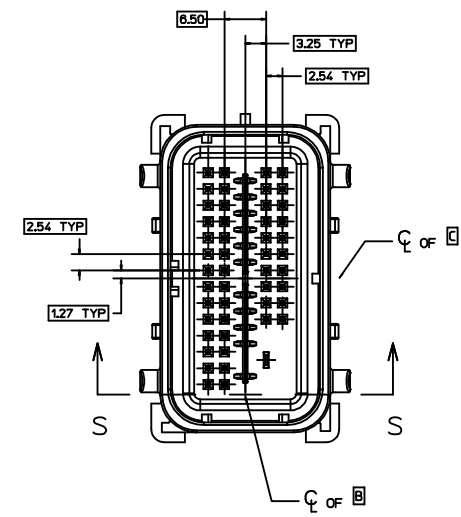
<b>ENTER DESCRIPTION</b> IEC NO: UAU2017-0870 DRW: NACHITALIA - 2017/03/17 CHKD: APPR: VKOSHY 2017/03/29	QUALITY SYMBOLS $\nabla=0$ $\nabla=0$ $\nabla=0$	GENERAL TOLERANCES (UNLESS SPECIFIED) <table border="1"> <thead> <tr> <th></th> <th>mm</th> <th>INCH</th> </tr> </thead> <tbody> <tr> <td>4 PLACES</td> <td>±---</td> <td>±---</td> </tr> <tr> <td>3 PLACES</td> <td>±---</td> <td>±---</td> </tr> <tr> <td>2 PLACES</td> <td>±0.13</td> <td>±---</td> </tr> <tr> <td>1 PLACE</td> <td>±0.25</td> <td>±---</td> </tr> <tr> <td>0 PLACE</td> <td>±---</td> <td>±---</td> </tr> </tbody> </table>		mm	INCH	4 PLACES	±---	±---	3 PLACES	±---	±---	2 PLACES	±0.13	±---	1 PLACE	±0.25	±---	0 PLACE	±---	±---	DIMENSION STYLE <b>MM ONLY</b>	SCALE <b>1:1</b>	DESIGN UNITS <b>METRIC</b>	THIRD ANGLE PROJECTION
		mm	INCH																					
4 PLACES	±---	±---																						
3 PLACES	±---	±---																						
2 PLACES	±0.13	±---																						
1 PLACE	±0.25	±---																						
0 PLACE	±---	±---																						
DRAWN BY: SKRAJENDRANA DATE: 2016/12/15 CHECKED BY: VKOSHY DATE: 2016/12/15 APPROVED BY: VKOSHY DATE: 2017/03/03	MATERIAL NO. <b>SEE BOM TABLE</b>	DOCUMENT NO. <b>SD-34576-0001</b>	SHEET NO. <b>18 OF 22</b>																					

ICD - MX123 18/49/56CKT  
INTERFACE CONNECTION DRW  
MOLEX



THIS DRAWING CONTAINS INFORMATION THAT IS PROPRIETARY TO MOLEX INCORPORATED AND SHOULD NOT BE USED WITHOUT WRITTEN PERMISSION

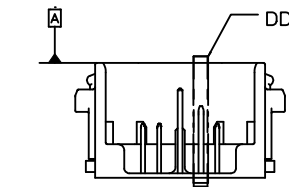
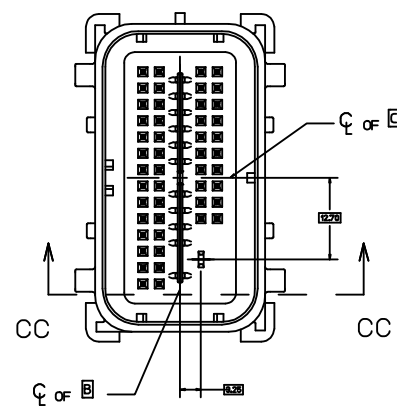
20 19 18 17 16 15 14 13 12 11 10 9 8 7 6 5 4 3 2 1



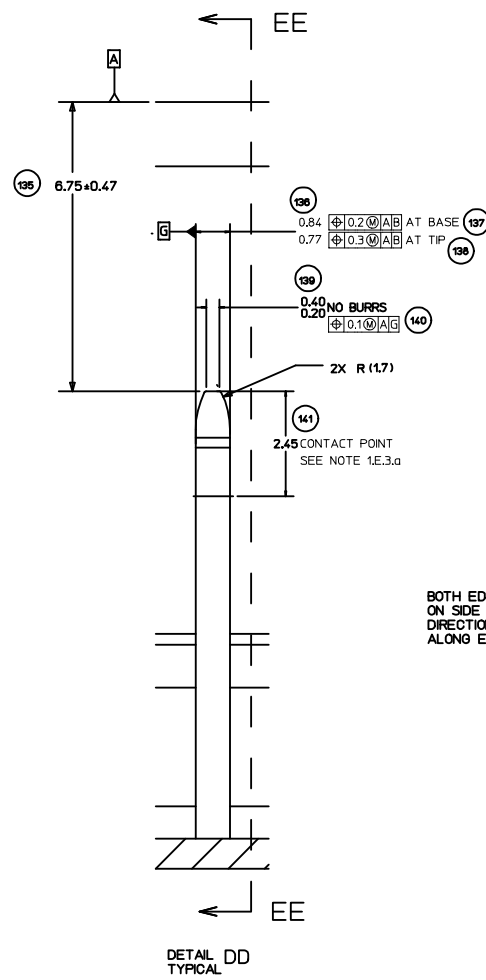
<b>ENTER DESCRIPTION</b> IEC NO: UAU2017-0870 DRW: MACHITALIA - 2807/03/17 CHKD: APPR: VKOSHY 2807/03/17	<b>QUALITY SYMBOLS</b> ∇=0 ∇=0 ∇=0	<b>GENERAL TOLERANCES (UNLESS SPECIFIED)</b>		<b>DIMENSION STYLE</b> MM ONLY		SCALE 1:1	DESIGN UNITS METRIC	THIRD ANGLE PROJECTION
		4 PLACES ± --- ± --- 3 PLACES ± --- ± --- 2 PLACES ± 0.13 ± --- 1 PLACE ± 0.25 ± --- 0 PLACE ± --- ± ---	m/m INCH DRAWN BY DATE SKRA JENDRANA 2016/12/15 CHECKED BY DATE VKOSHY 2016/12/15 APPROVED BY DATE VKOSHY 2017/03/03	TITLE ICD - MX123 18/49/56CKT INTERFACE CONNECTION DRW MOLEX		MATERIAL NO. SEE BOM TABLE	DOCUMENT NO. SD-34576-0001	SHEET NO. 19 OF 22

19 18 17 16 15 14 13 12 11 10 9 8 7 6 5 4 3 2 1



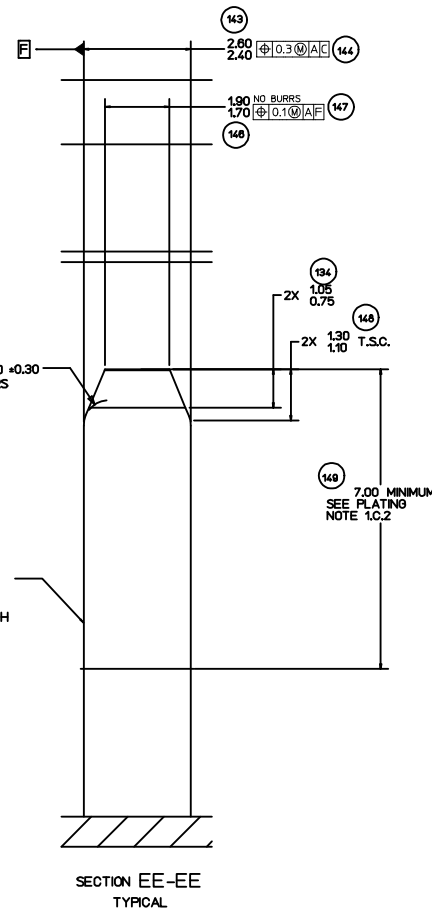


SECTION CC-CC



DETAIL DD TYPICAL

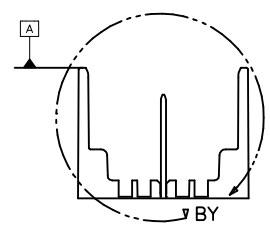
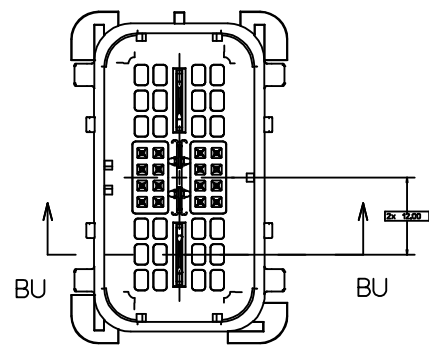
BOTH EDGES CONED ON SIDE OPPOSITE DIRECTION OF PUNCH ALONG ENTIRE LENGTH



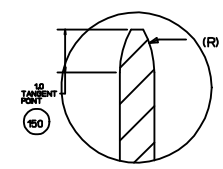
SECTION EE-EE TYPICAL

<b>ENTER DESCRIPTION</b> IEC NO: UAU2017-0870 DRAWN: CHITRALIA 2017/03/27 CHKD: APPR: VKOSHY 2017/03/29	<b>QUALITY SYMBOLS</b> $\nabla=0$ $\nabla=0$ $\nabla=0$	<b>GENERAL TOLERANCES (UNLESS SPECIFIED)</b>		<b>DIMENSION STYLE</b> MM ONLY	<b>SCALE</b> 1:1	<b>DESIGN UNITS</b> METRIC	THIRD ANGLE PROJECTION
		4 PLACES ± --- ± --- 3 PLACES ± --- ± --- 2 PLACES ± 0.13 ± --- 1 PLACE ± 0.25 ± --- 0 PLACE ± --- ± ---	mm INCH	DRAWN BY DATE SKRAJENDRANA 2016/12/15	CHECKED BY DATE VKOSHY 2016/12/15	APPROVED BY DATE VKOSHY 2017/03/03	<b>TITLE</b> ICD - MX123 18/49/56CKT INTERFACE CONNECTION DRW MOLEX
<b>REVISIONS</b> A4	<b>DESCRIPTION</b>	ANGULAR ± 1 ° DRAFT WHERE APPLICABLE MUST REMAIN WITHIN DIMENSIONS	MATERIAL NO. SEE BOM TABLE	DOCUMENT NO. SD-34576-0001	SHEET NO. 20 OF 22		

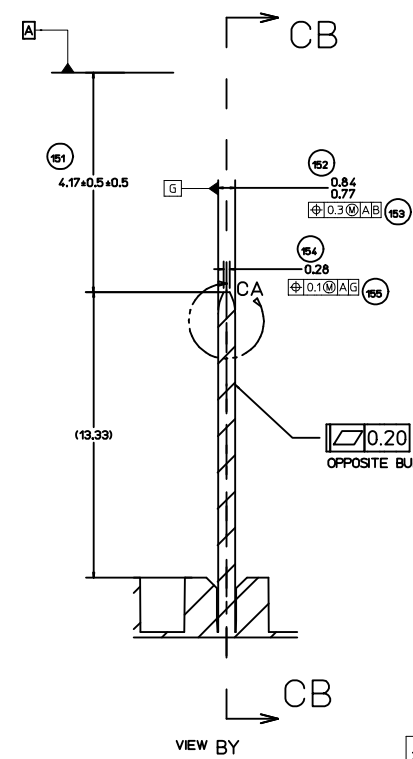
THIS DRAWING CONTAINS INFORMATION THAT IS PROPRIETARY TO MOLEX INCORPORATED AND SHOULD NOT BE USED WITHOUT WRITTEN PERMISSION



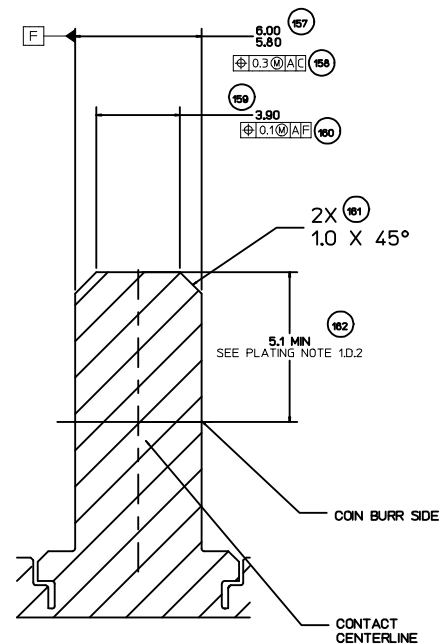
SECTION BU-BU



VIEW CA  
SCALE 10:1



VIEW BY



SECTION CB-CB

<b>ENTER DESCRIPTION</b> EC NO: UAU2017-0870 DRAWN: CHITRALIA CHKD: APPR: VKOSHY DATE: 2017/03/29	QUALITY SYMBOLS	GENERAL TOLERANCES (UNLESS SPECIFIED)	DIMENSION STYLE	SCALE	DESIGN UNITS	THIRD ANGLE PROJECTION
	▽=0	m/m INCH	MM ONLY	1:1	METRIC	
	▽=0	4 PLACES ± --- ± ---	DRAWN BY DATE			
	▽=0	3 PLACES ± --- ± ---	SKRA JENDRANA 2016/12/15			
		1 PLACE ± 0.25 ± ---	CHECKED BY DATE			
		0 PLACE ± --- ± ---	VKOSHY 2016/12/15			
			APPROVED BY DATE			
			VKOSHY 2017/03/03			
		ANGULAR ± 1°	MATERIAL NO.	DOCUMENT NO.		
		DRAFT WHERE APPLICABLE MUST REMAIN WITHIN DIMENSIONS	SEE BOM TABLE	SD-34576-0001		
			THIS DRAWING CONTAINS INFORMATION THAT IS PROPRIETARY TO MOLEX INCORPORATED AND SHOULD NOT BE USED WITHOUT WRITTEN PERMISSION			

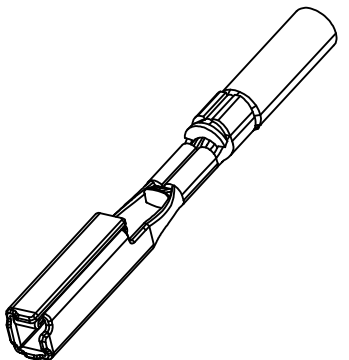
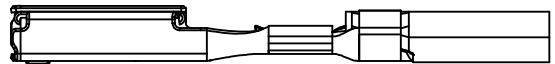
ICD - MX123 18/49/56CKT  
 INTERFACE CONNECTION DRW  
 MOLEX

**molex**

SHEET NO.  
21 OF 22

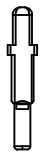
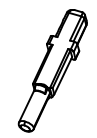
20 19 18 17 16 15 14 13 12 11 10 9 8 7 6 5 4 3 2 1

MOLEX MX64 RECEPTACLE TERMINAL INFORMATION						
ITEM	MOLEX P/N	WIRE SIZE MM2	TYPE	PLATING	REEL WIND DIRECTION	COMMENTS
1	34736-0025	0.35	ISO	SILVER	LEFT	
2	34736-0026	0.35	ISO	SILVER	RIGHT	
3	34736-0027	0.5 / 0.75	ISO	SILVER	LEFT	
4	34736-0028	0.5 / 0.75	ISO	SILVER	RIGHT	



CAVITY PLUGS								
ITEM	MFG	MFG P/N	SIZE	COLOR	MFG DRAWING	PROD SPEC	APP SPEC	COMMENTS
1	MOLEX	34586-0001	0.64	NATURAL	SD-34586-001	PS-34566-0000	AS-34566-001	
2	YAZAKI	7158-3114-90	2.8	BLUE	7158-3114-90	YPES-11-04-062	YPES-15-299	

ITEM 1

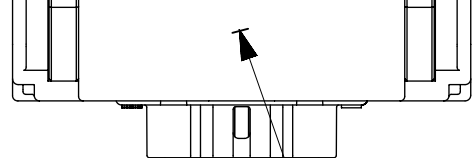


ITEM 2

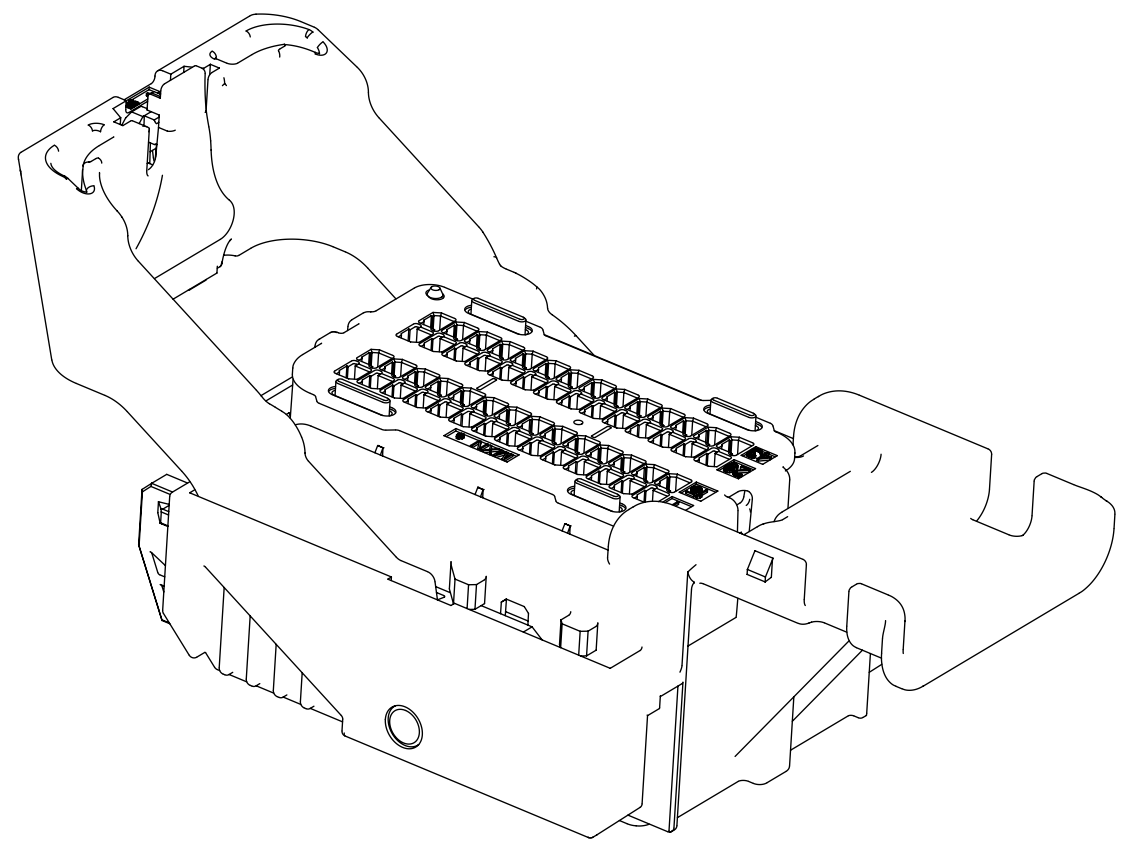
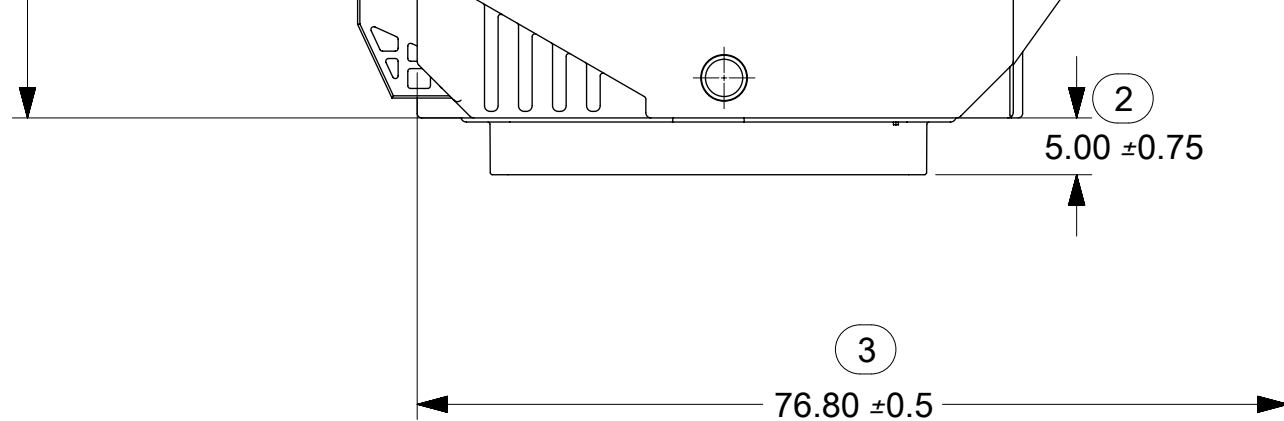
<b>ENTER DESCRIPTION</b> IEC NO: UAU2017-0870 DRAWN BY: DRWNAHITALIA / 2017/03/27 CHKD: APPR: VKOSHY / 2017/03/29 A4	QUALITY SYMBOLS ∇=0 ∇=0 ∇=0	GENERAL TOLERANCES (UNLESS SPECIFIED) <table border="1"> <tr> <th></th> <th>mm</th> <th>INCH</th> </tr> <tr> <td>4 PLACES</td> <td>± 0.10</td> <td>± 0.004</td> </tr> <tr> <td>3 PLACES</td> <td>± 0.15</td> <td>± 0.006</td> </tr> <tr> <td>2 PLACES</td> <td>± 0.20</td> <td>± 0.008</td> </tr> <tr> <td>1 PLACE</td> <td>± 0.25</td> <td>± 0.010</td> </tr> <tr> <td>0 PLACE</td> <td>± 0.30</td> <td>± 0.012</td> </tr> </table>		mm	INCH	4 PLACES	± 0.10	± 0.004	3 PLACES	± 0.15	± 0.006	2 PLACES	± 0.20	± 0.008	1 PLACE	± 0.25	± 0.010	0 PLACE	± 0.30	± 0.012	DIMENSION STYLE <b>MM ONLY</b>	SCALE <b>1:1</b>	DESIGN UNITS <b>METRIC</b>	THIRD ANGLE PROJECTION
		mm	INCH																					
	4 PLACES	± 0.10	± 0.004																					
	3 PLACES	± 0.15	± 0.006																					
2 PLACES	± 0.20	± 0.008																						
1 PLACE	± 0.25	± 0.010																						
0 PLACE	± 0.30	± 0.012																						
DRAFT WHERE APPLICABLE MUST REMAIN WITHIN DIMENSIONS		ANGULAR ± 1°	DRAWN BY: SKRA JENDRANA / 2016/12/15 CHECKED BY: VKOSHY / 2016/12/15 APPROVED BY: VKOSHY / 2017/03/03	TITLE <b>ICD - MX123 18/49/56CKT          INTERFACE CONNECTION DRW          MOLEX</b>	MATERIAL NO. <b>SEE BOM TABLE</b>	DOCUMENT NO. <b>SD-34576-0001</b>																		
THIS DRAWING CONTAINS INFORMATION THAT IS PROPRIETARY TO MOLEX INCORPORATED AND SHOULD NOT BE USED WITHOUT WRITTEN PERMISSION						SHEET NO. <b>22 OF 22</b>																		

19 18 17 16 15 14 13 12 11 10 9 8 7 6 5 4 3 2 1

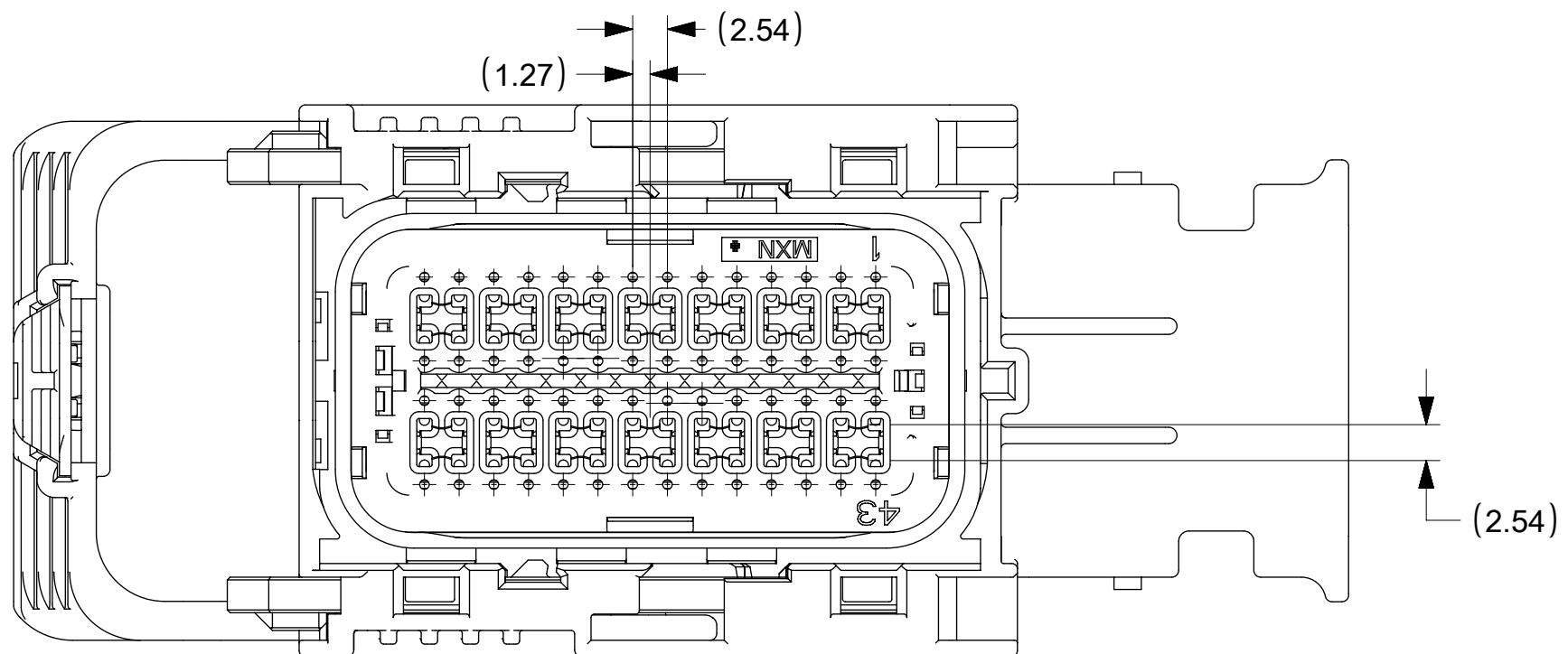
F  
E  
D  
C  
B  
A



RECOMMENDED LOCATION  
FOR NOTE 2D

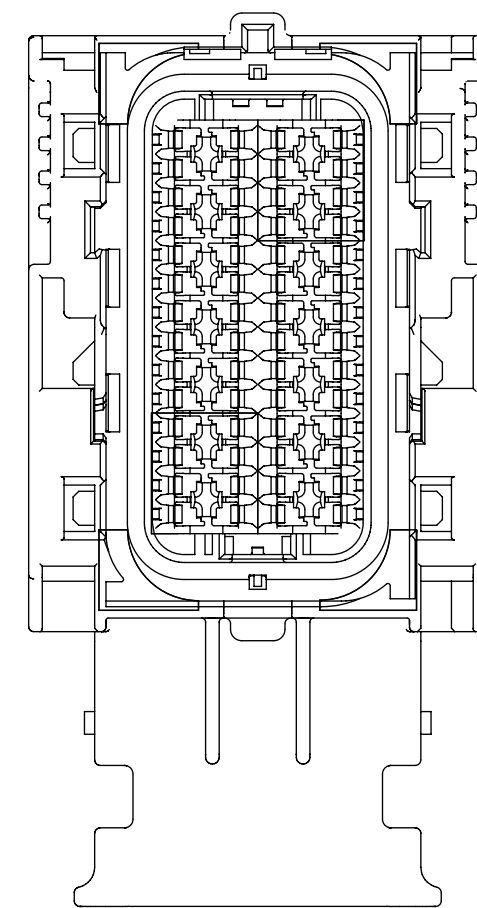
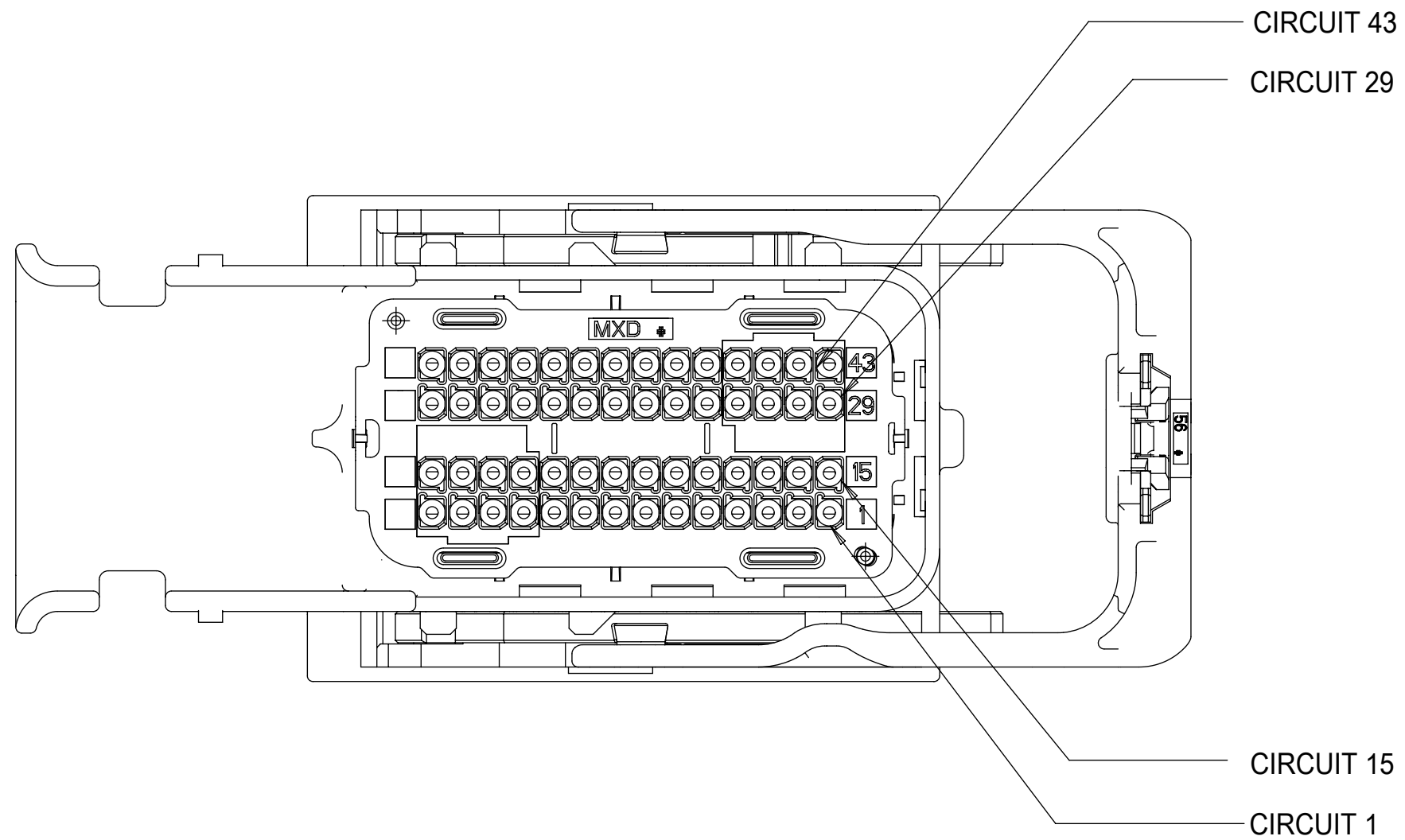


56 CKT  
SCALE 1.5:1

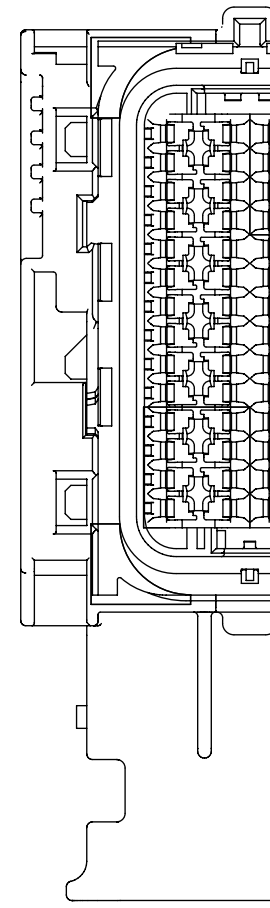


DOCUMENT STATUS	P1	RELEASE DATE	2018/05/28	14:32:56
-----------------	----	--------------	------------	----------

F  
E  
D  
C  
B  
A



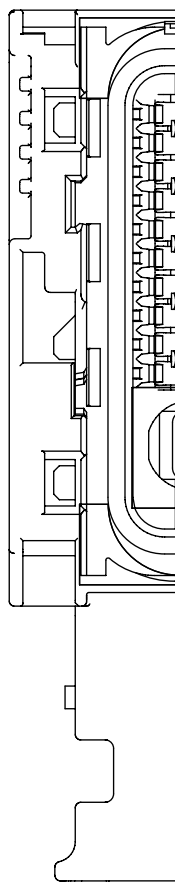
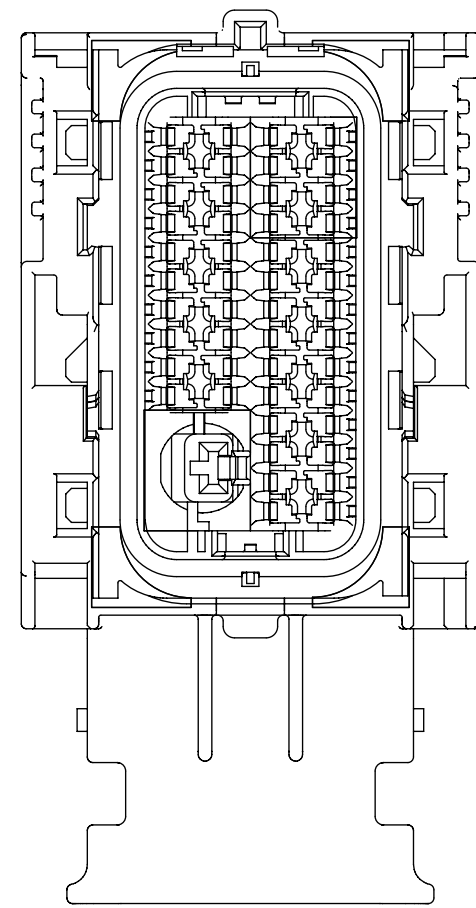
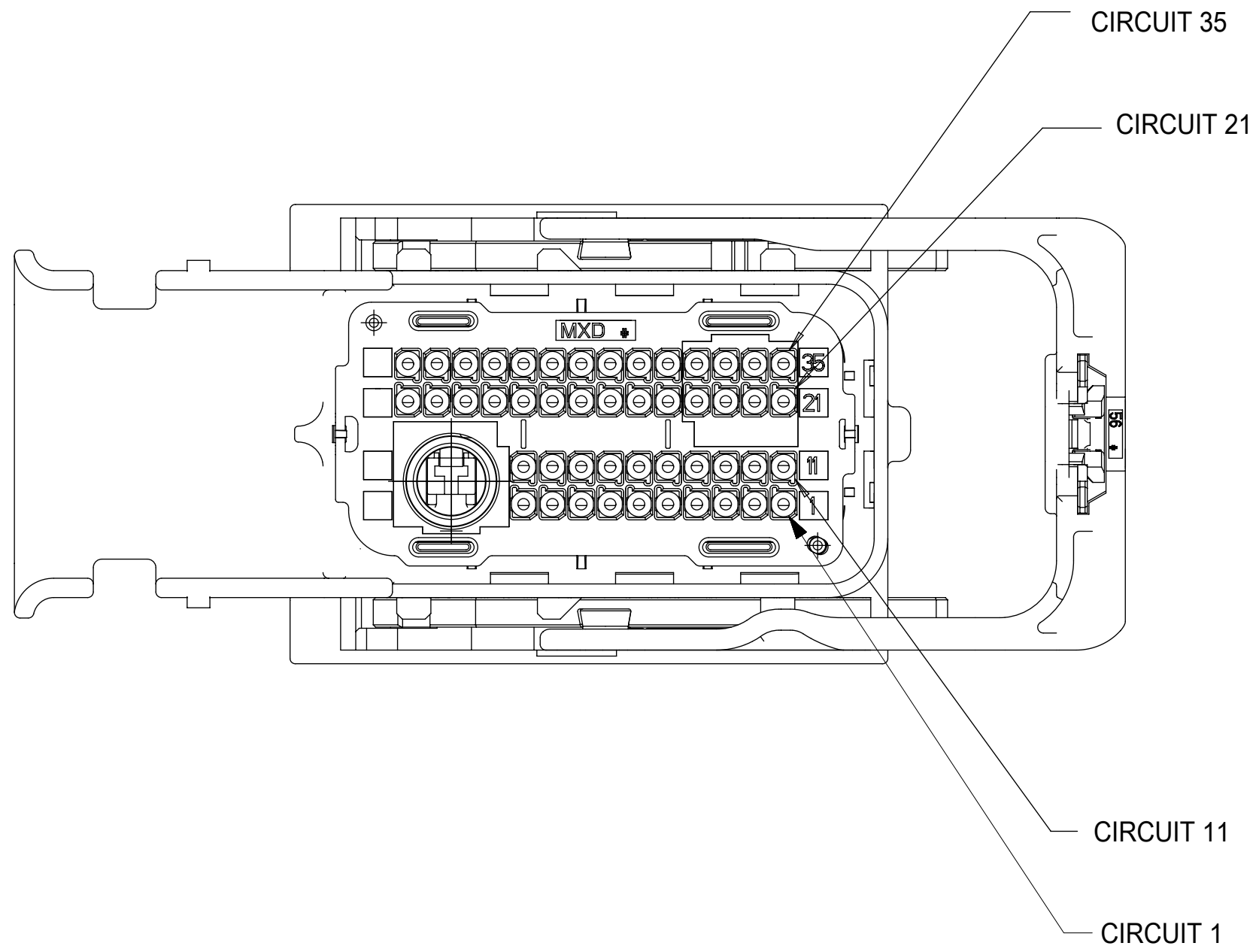
KEY G



KEY

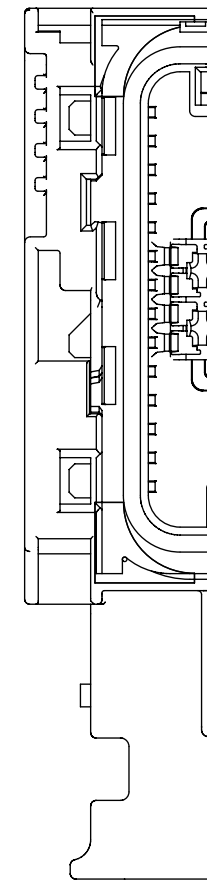
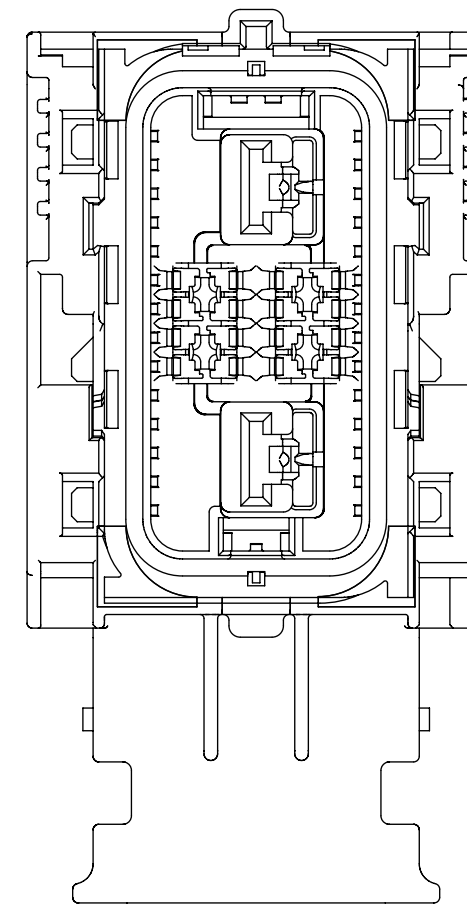
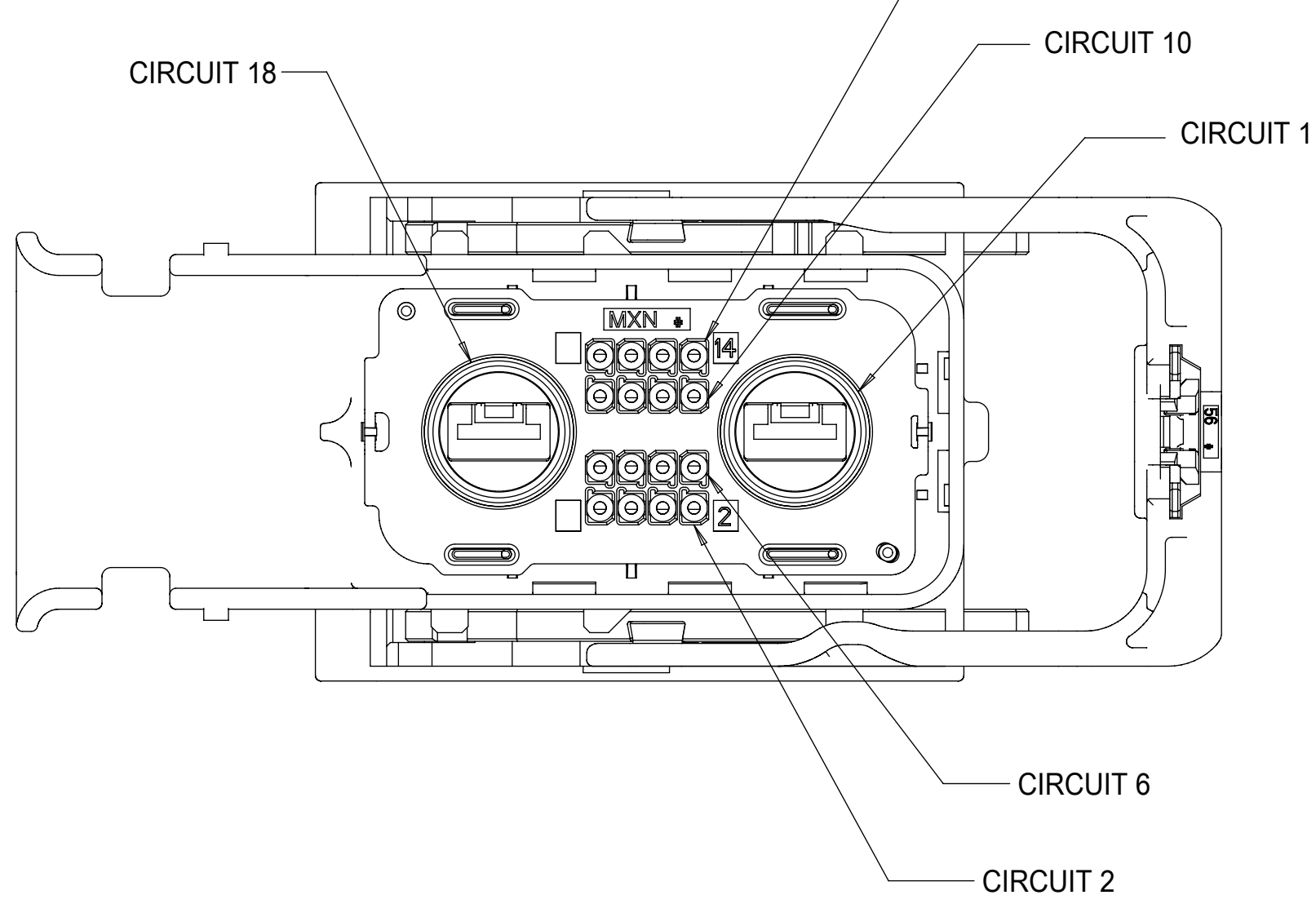
DOCUMENT STATUS	P1	RELEASE DATE	2018/05/28	14:32:56
-----------------	----	--------------	------------	----------

F  
E  
D  
C  
B  
A



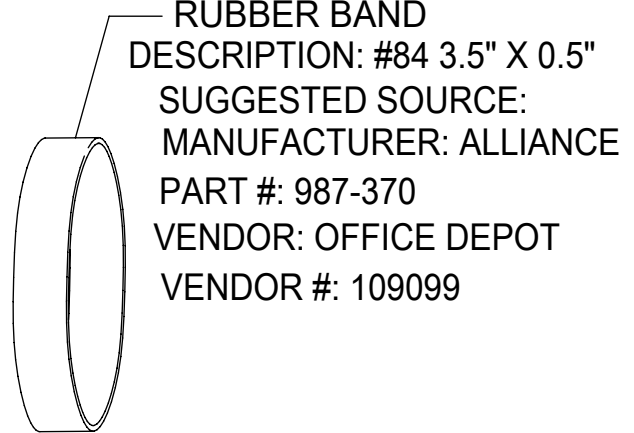
DOCUMENT STATUS	P1	RELEASE DATE	2018/05/28	14:32:56
-----------------	----	--------------	------------	----------

F  
E  
D  
C  
B  
A

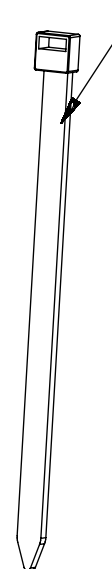


DOCUMENT STATUS	P1	RELEASE DATE	2018/05/28	14:32:56
-----------------	----	--------------	------------	----------

XXXXX- S
SERIES #
34090
34332
34335



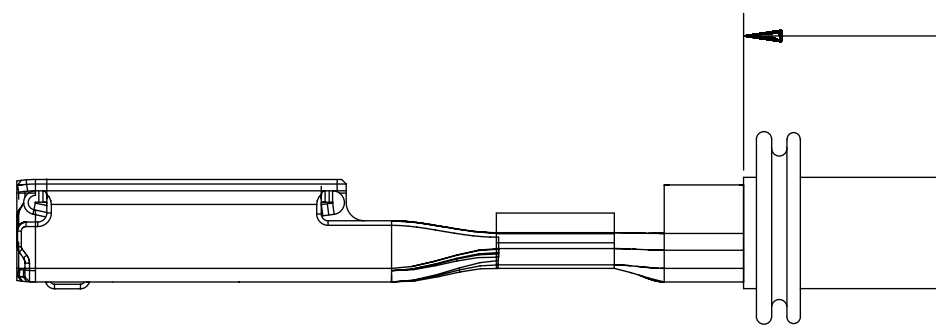
RUBBER BAND  
 DESCRIPTION: #84 3.5" X 0.5"  
 SUGGESTED SOURCE:  
 MANUFACTURER: ALLIANCE  
 PART #: 987-370  
 VENDOR: OFFICE DEPOT  
 VENDOR #: 109099



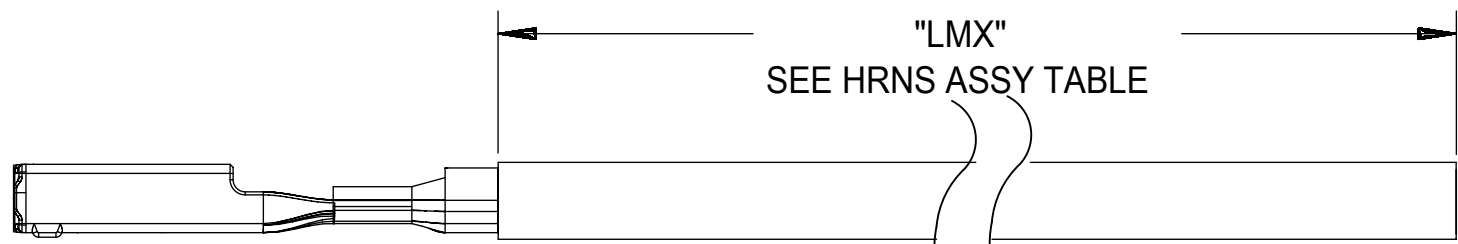
SUGGESTED SOURCE:  
 MANUFACTURER: THOMAS & BETTS  
 PART #: TY25M  
 VENDOR: CRESENT ELEC  
 VENDOR #: 104144



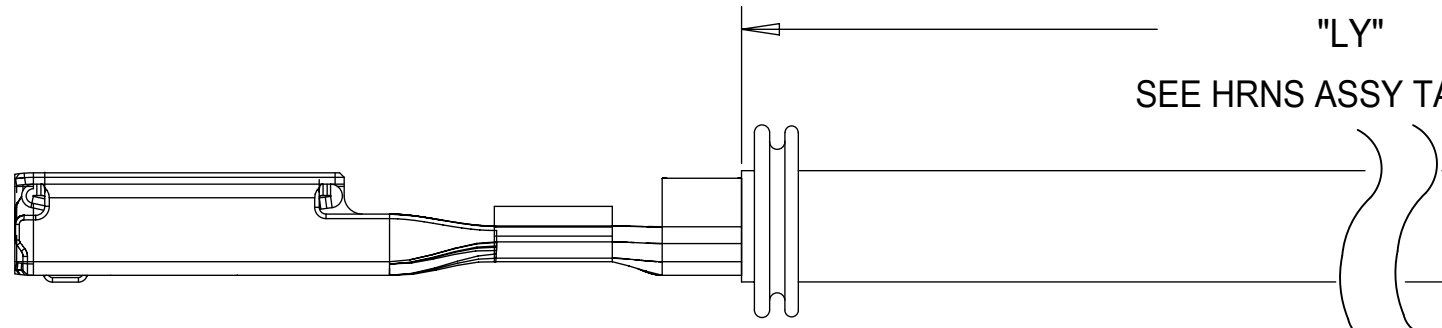
MX64 WIRE ASSY LOOPED  
 MATERIAL #: SEE HRNS ASSY TABLE



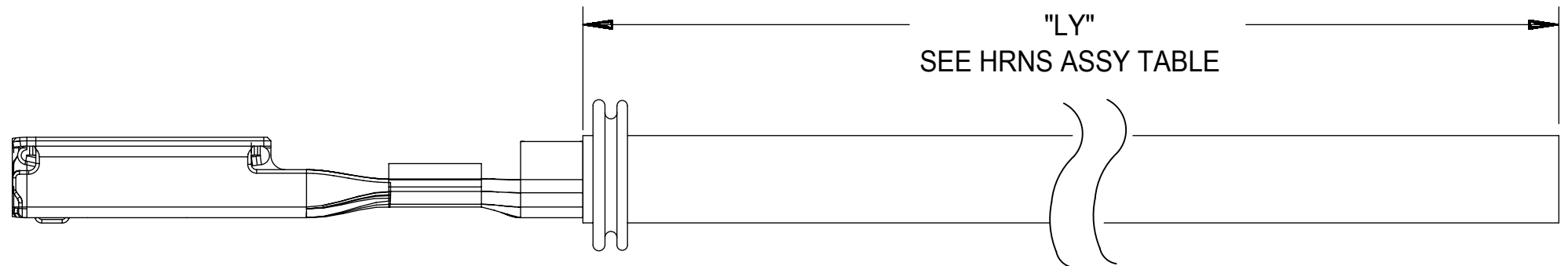
6.3mm  
 M



MX64 WIRE ASSY PIGTAIL  
 MATERIAL #: SEE HRNS ASSY TABLE



6.3mm FCI APEX SEALED FEMALE LC  
 MATERIAL #: SEE HRNS ASSY TA

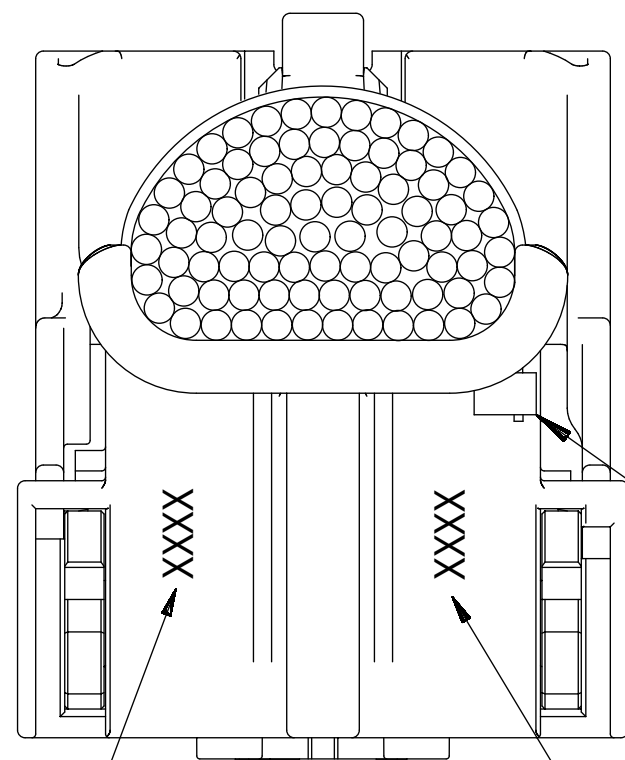
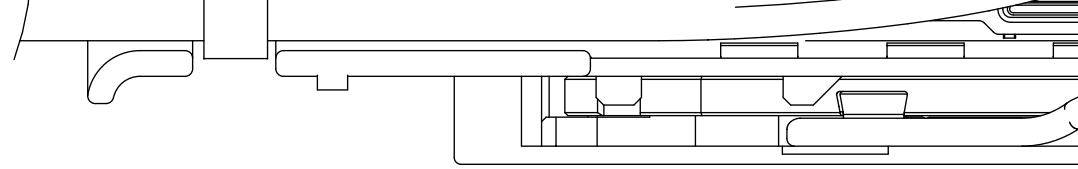


2.8mm YESC SEALED FEMALE PIGTAIL ASSY  
 MATERIAL #: SEE HRNS ASSY TABLE

DOCUMENT STATUS	P1	RELEASE DATE	2018/05/28	14:32:56
-----------------	----	--------------	------------	----------

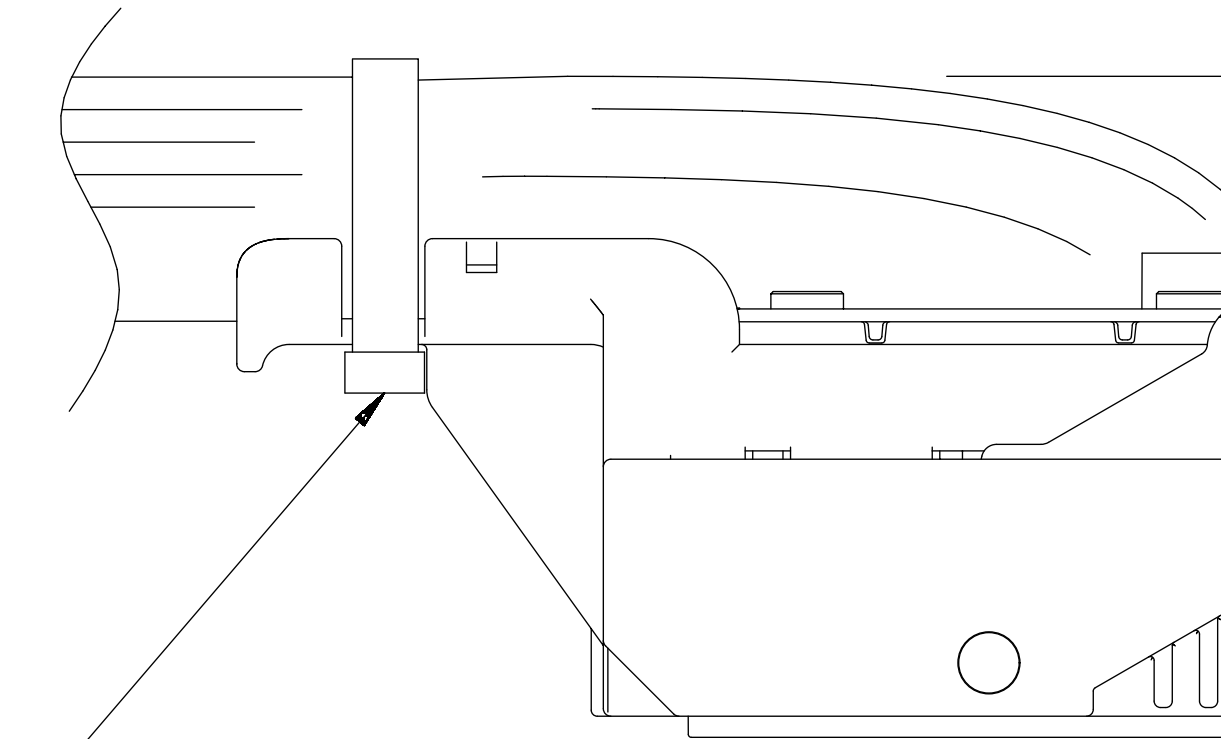


F  
E  
D  
C  
B  
A



HAND ETCH  
JULIAN DATE  
WHEN PRESSURE  
TESTED

HAND ETCH  
JULIAN DATE  
OF MFG



TY-RAP SHOWN IN  
PROPER ORIENTATION

DOCUMENT STATUS	P1	RELEASE DATE	2018/05/28	14:32:56
-----------------	----	--------------	------------	----------

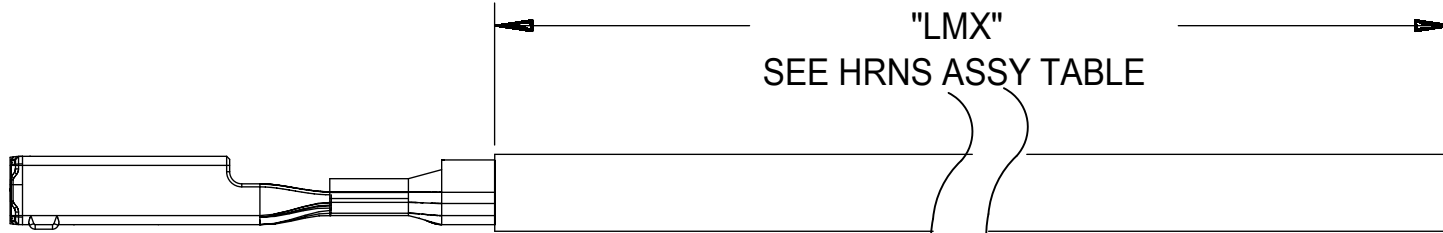
DESCRIPTION: #34090 X 0.9  
 SUGGESTED SOURCE:  
 MANUFACTURER: ALLIANCE  
 PART #: 987-370  
 VENDOR: OFFICE DEPOT  
 VENDOR #: 109099

PART #: TY25M  
 VENDOR: CRESENT ELEC  
 VENDOR #: 104144

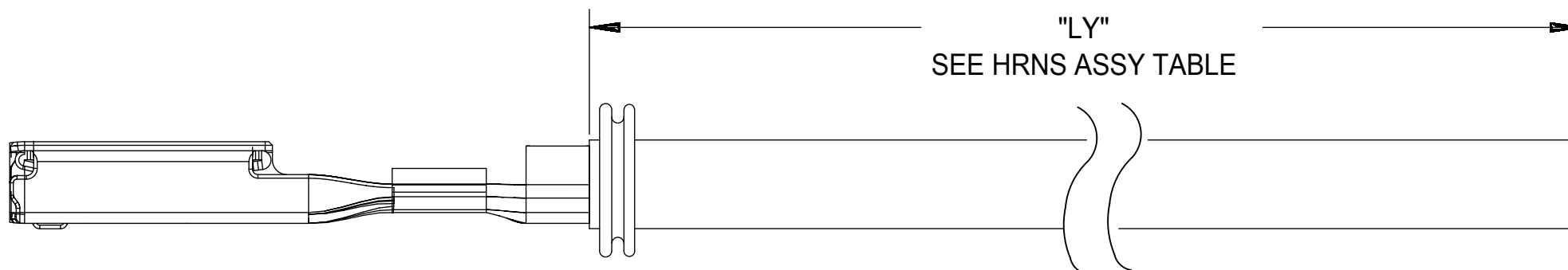
SERIES #
34090
34332
34335



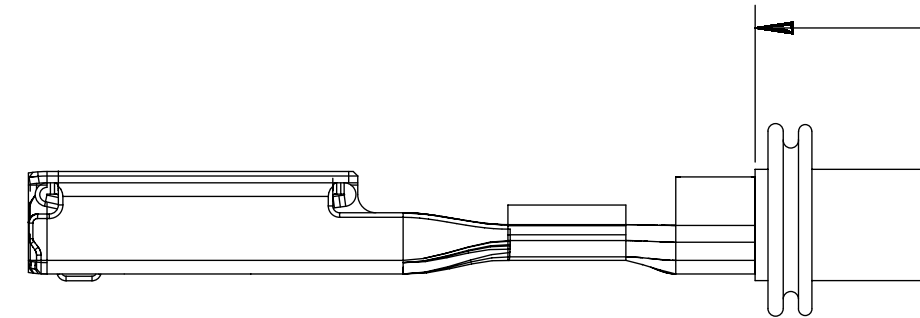
MX64 WIRE ASSY LOOPED  
 MATERIAL #: SEE HRNS ASSY TABLE



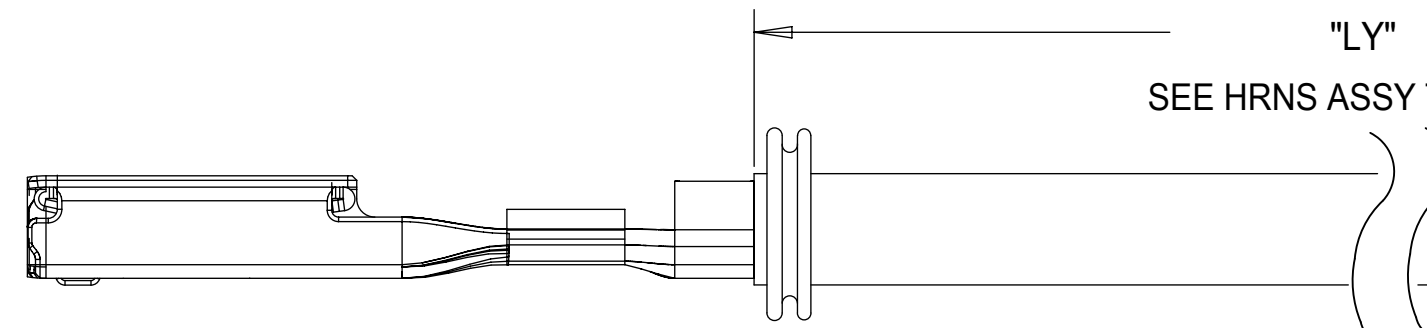
MX64 WIRE ASSY PIGTAIL  
 MATERIAL #: SEE HRNS ASSY TABLE



2.8mm YESC SEALED FEMALE PIGTAIL ASSY  
 MATERIAL #: SEE HRNS ASSY TABLE



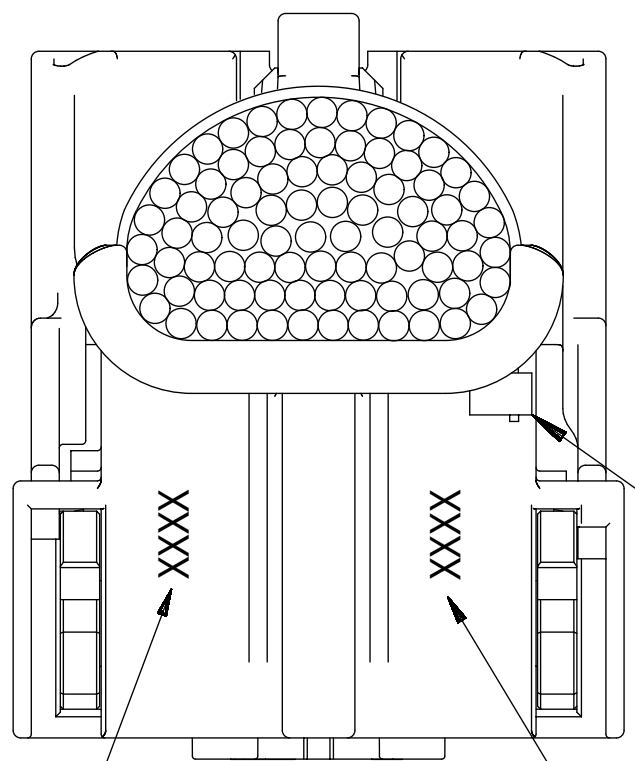
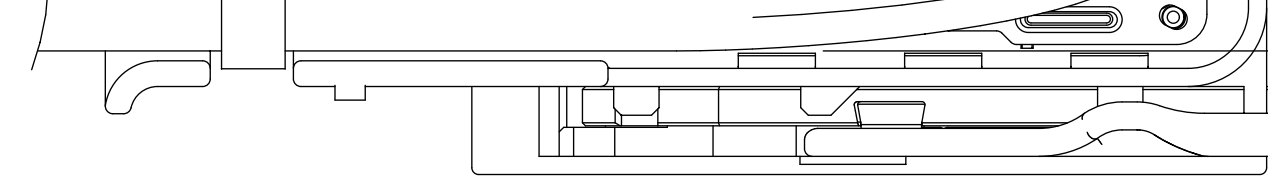
6.3



6.3mm FCI APEX SEALED FEMALE L  
 MATERIAL #: SEE HRNS ASSY T

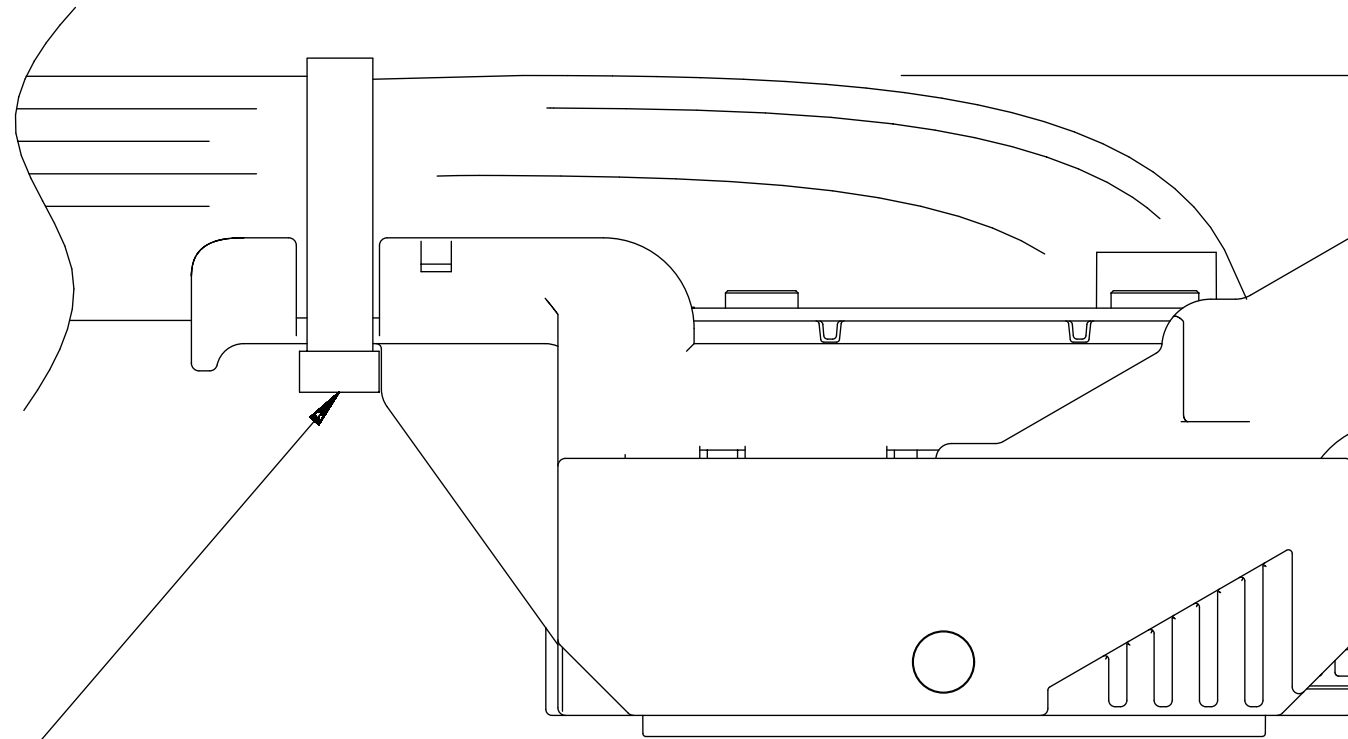
DOCUMENT STATUS	P1	RELEASE DATE	2018/05/28	14:32:56
-----------------	----	--------------	------------	----------

F  
E  
D  
C  
B  
A



HAND ETCH  
JULIAN DATE  
WHEN PRESSURE  
TESTED

HAND ETCH  
JULIAN DATE  
OF MFG



TY-RAP SHOWN IN  
PROPER ORIENTATION

DOCUMENT STATUS	P1	RELEASE DATE	2018/05/28	14:32:56
-----------------	----	--------------	------------	----------

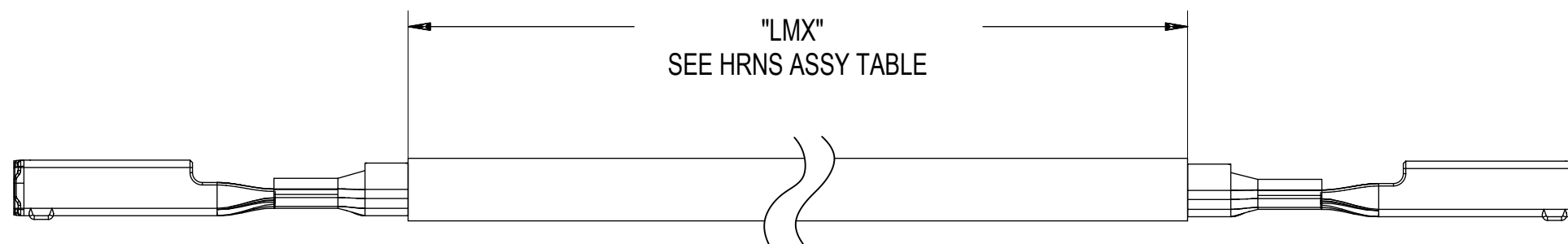


RUBBER BAND  
 DESCRIPTION: #84 3.5" X 0.5"  
 SUGGESTED SOURCE:  
 MANUFACTURER: ALLIANCE  
 PART #: 987-370  
 VENDOR: OFFICE DEPOT  
 VENDOR #: 109099



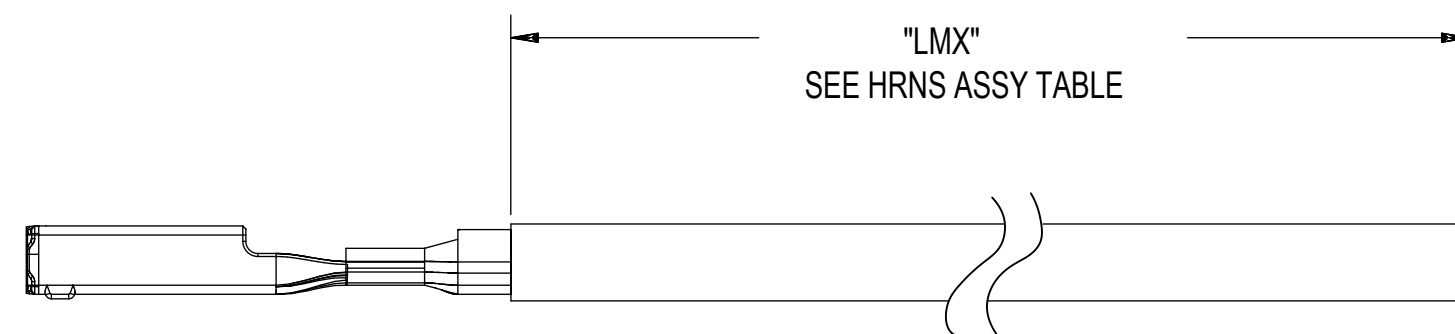
TY-RAP  
 DESCRIPTION: SIZE TY25 CABLE TIE  
 SUGGESTED SOURCE:  
 MANUFACTURER: THOMAS & BETTS  
 PART #: TY25M  
 VENDOR: CRESENT ELEC  
 VENDOR #: 104144

# HRNS ASSY



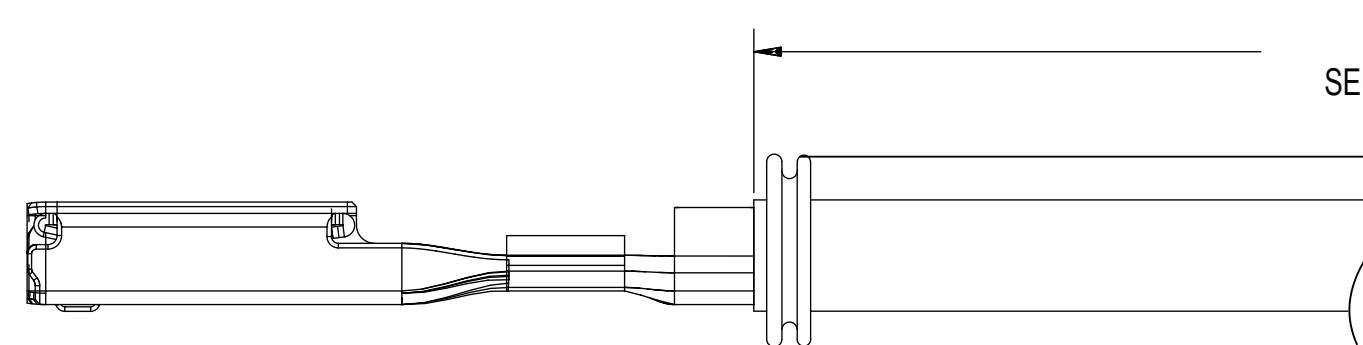
"LMX"  
 SEE HRNS ASSY TABLE

MX64 WIRE ASSY LOOPED  
 MATERIAL #: SEE HRNS ASSY TABLE



"LMX"  
 SEE HRNS ASSY TABLE

MX64 WIRE ASSY PIGTAIL  
 MATERIAL #: SEE HRNS ASSY TABLE



2.8mm YESC SEALED FEMALE  
 MATERIAL #: SEE HRNS ASSY TABLE

DOCUMENT STATUS	P1	RELEASE DATE	2018/05/28	14:32:56
-----------------	----	--------------	------------	----------



## X-ON Electronics

Largest Supplier of Electrical and Electronic Components

*Click to view similar products for [Automotive Connectors](#) category:*

*Click to view products by [Molex](#) manufacturer:*

Other Similar products are found below :

[003-018-000](#) [60403001](#) [60993906-B](#) [M902-2131](#) [M902-2161](#) [72.330.1035.1](#) [73.353.4028.0](#) [F119300-B](#) [F166900](#) [F258300-B](#) [F358300-B](#)  
[F407400](#) [F444110](#) [F487000](#) [F509500B-B](#) [827153-1](#) [8N1515-32-24P](#) [9-1326729-8](#) [925474-1](#) [928905-1](#) [964562-4](#) [968782-1](#) [GT17SA-8DS-](#)  
[HU](#) [98891-1012](#) [98947-1016](#) [12004147](#) [12004475-L](#) [12010290](#) [12010309-B](#) [12015454](#) [12020219-B](#) [12020308](#) [12041318-B](#) [12052225-L](#)  
[12052466](#) [12059125](#) [12064869](#) [12004327-B](#) [12010503-B](#) [12015308](#) [12015384](#) [12015909](#) [1-21030-1](#) [12041254](#) [12041318](#) [12047946-B](#)  
[12047957](#) [12047957-L](#) [12059473](#) [12066261](#)