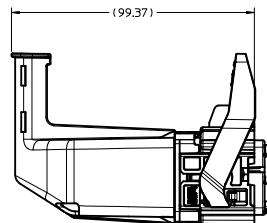
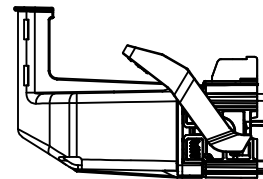


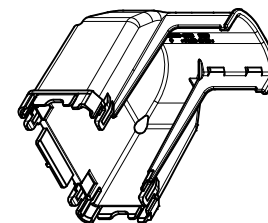
END VIEW  
SCALE 1:1



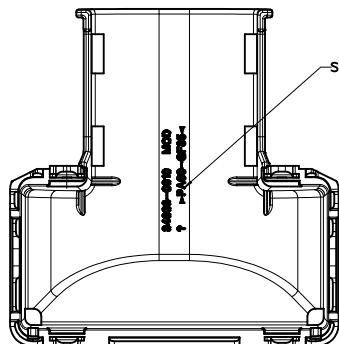
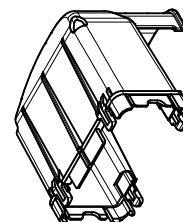
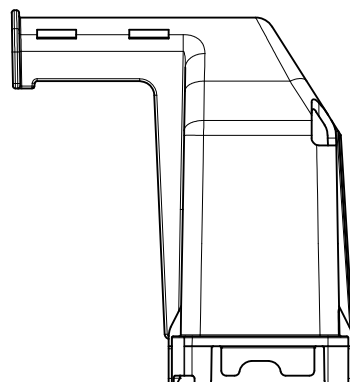
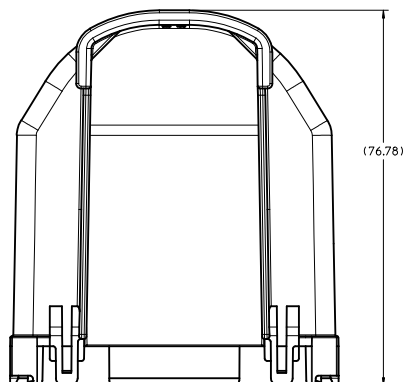
SIDE VIEW  
SCALE 1:1  
TPA AND LEVER IN CLOSED POSITION



SIDE VIEW  
SCALE 1:1  
TPA & LEVER IN OPEN POSITION



SCALE 1:1



SEE NOTE 11

NOTES UNLESS OTHERWISE SPECIFIED

- PART MUST CONFORM TO THE FORD CONNECTOR SYSTEM DESIGN SPECIFICATION (SDS) REV 14 DATED 09MAY2004
- PART MUST CONFORM TO USCAR SAE-2 REV4 DATED MAY2004
- ALL PLASTIC PARTS MUST HAVE MATERIAL IDENTIFICATION SYMBOLS CLEARLY MARKED, WHEREVER PACKAGE SIZE PERMITS.
- ENGINEERING APPROVAL REQUIRED FOR ALL SOURCING AND TOOLING OF THIS PART.
- FOR ENGINEERING APPROVED SOURCE SEE ENGINEERING RELEASE.
- ENGINEERING APPROVAL OF SAMPLE FROM SUPPLIER IS REQUIRED PRIOR TO AUTHORIZATION OF PART PRODUCTION.
- CHANGES IN DESIGN, COMPOSITION, OR PROCESSING OF THE PART, PREVIOUSLY APPROVED FOR PART PRODUCTION REQUIRES PRIOR ENGINEERING APPROVAL.
- GENERAL TOLERANCES:  
ALL LINEAR DIMENSIONS: +/-0.30  
ALL ANGULAR DIMENSIONS: +/-3°
- 0.3 MAXIMUM RADIUS PERMISSIBLE ON EDGES AND FILLETS SHOWN AS SHARP FOR PLASTIC PARTS.
- PARTS ARE TO BE FREE OF SCRATCHES, DISCOLORATIONS, SALT RESIDUE OR OTHER IMPERFECTIONS THAT MAY AFFECT FUNCTION OR FIT OF PART.
- SOURCE IDENTIFICATION MARK, PRODUCTION DATE CODE & CUSTOMER PART NO. MUST BE PERMANENTLY APPLIED ON THE PART WITH 1.5MM LETTER SIZE FROM THE BOTTOM TO THE TOP OF THE CHARACTERS AND LEGIBLE WHEREVER PACKAGE SIZE PERMITS OR OTHER AGREEMENTS ARE MADE.
- PART MUST MATE WITH MOLEX CONNECTOR SERIES 34668
- PART IS SHIPPED SEPARATELY.
- 25% MAXIMUM REGRIND ALLOWED.

INITIAL RELEASE EC NO: UAU2011-0966 DRAWN: DEKOSKI 2011/04/19 CHKD: RBAUMAN APPR: RBAUMAN 2011/04/19 DESCRIPTION	QUALITY SYMBOLS	GENERAL TOLERANCES (UNLESS SPECIFIED)	DIMENSION STYLE	SCALE	DESIGN UNITS	THIRD ANGLE PROJECTION
	4 PLACES ±---+--- 3 PLACES ±---+--- 2 PLACES ±---+--- 1 PLACE ±---+--- ANGULAR ±---°	mm INCH ±--- ±--- ±--- ±--- ±--- ±--- ±--- ±--- ±--- ±---	DRAWN BY DATE XBTANG 2010/06/03 CHECKED BY DATE DEKOSKI 2010/06/03 APPROVED BY DATE RBAUMAN 2010/06/04	MM ONLY TITLE WIRE DRESS COVER 98-WAY PCM CONNECTOR OPPOSITE SIDE DRESS	2:1	METRIC
DRAFT WHERE APPLICABLE MUST REMAIN WITHIN DIMENSIONS		MATERIAL NO. 346680910 MOLEX INCORPORATED		DOCUMENT NO. SD-34668-910		SHEET NO. 1 OF 1

## X-ON Electronics

Largest Supplier of Electrical and Electronic Components

*Click to view similar products for [Automotive Connectors](#) category:*

*Click to view products by [Molex](#) manufacturer:*

Other Similar products are found below :

[003-018-000](#) [60403001](#) [60993906-B](#) [M902-2131](#) [M902-2161](#) [72.330.1035.1](#) [73.353.4028.0](#) [F119300-B](#) [F166900](#) [F258300-B](#) [F358300-B](#)  
[F407400](#) [F444110](#) [F487000](#) [F509500B-B](#) [827153-1](#) [8N1515-32-24P](#) [9-1326729-8](#) [925474-1](#) [928905-1](#) [964562-4](#) [968782-1](#) [GT17SA-8DS-](#)  
[HU](#) [98891-1012](#) [98947-1016](#) [12004147](#) [12004475-L](#) [12010290](#) [12010309-B](#) [12015454](#) [12020219-B](#) [12020308](#) [12041318-B](#) [12052225-L](#)  
[12052466](#) [12059125](#) [12064869](#) [12004327-B](#) [12010503-B](#) [12015308](#) [12015384](#) [12015909](#) [1-21030-1](#) [12041254](#) [12041318](#) [12047946-B](#)  
[12047957](#) [12047957-L](#) [12059473](#) [12066261](#)