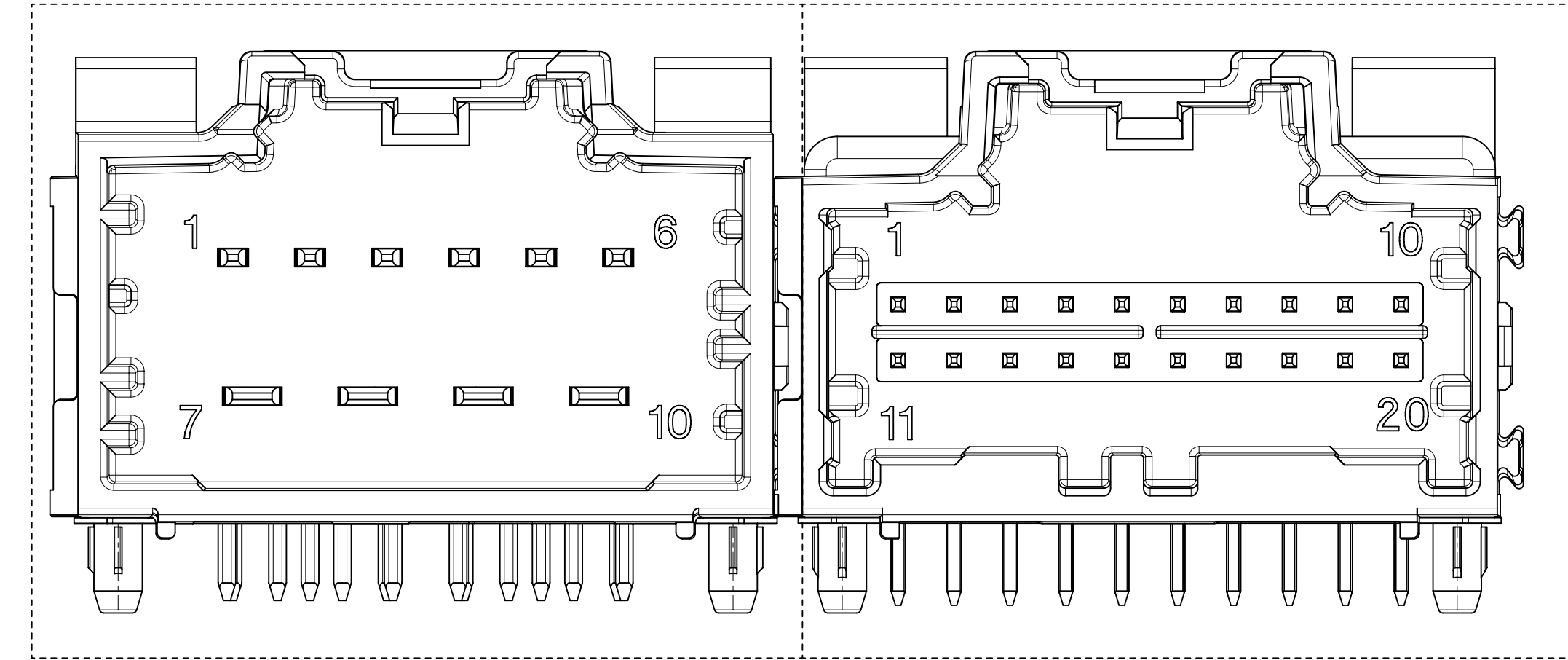


2 BAY STAC64 RIGHT ANGLE HEADER ASSEMBLY (P/N: 34708-2012 SHOWN)

BAY 'A'

BAY 'B'



NOTES: VALID UNLESS OTHERWISE SPECIFIED

1. GENERAL:

- a. CONNECTOR HEADER MUST BE VALIDATED TO THE FOLLOWING FUNCTIONAL REQUIREMENTS:
PRODUCT SPECIFICATION:
8-20 CKT 0.64 PRODUCT SPEC: PS-34729-020/PS-31408-100
10/14 CKT HYBRID PRODUCT SPEC: PS-31372-100
- b. APPLICATION REQUIREMENTS (REFERENCE ONLY):
APPLICATION SPECIFICATION: AS-34729-020/AS-31408-100
- c. PACKAGING SPECIFICATION PER MOLEX DRAWING PK-31300-892 (TRAY)
- d. PACKAGING SPECIFICATION PER MOLEX DRAWING PK-31301-063 (TUBE)
- e. PACKAGING SPECIFICATION PER MOLEX DRAWING PK-31300-894 (ALT TRAY)

2. DESIGN: MATERIALS:

- a. SHROUD (PLASTIC HOUSING):
RESIN - SPS 30%GF

COLOR:

- POL A - BLACK
- POL B - GRAY
- POL C - BROWN
- POL D - GREEN

b. 0.64mm PINS:

- BASE MATERIAL: C26000
- PLATING TYPE: AS NOTED
- 1.5/2.8mm BLADES:
BASE MATERIAL: C19400
- PLATING TYPE: AS NOTED

3. PLATING REQUIREMENTS:

- a. UNDERPLATING - OVERALL NICKEL
- b. OVERPLATING - OVERALL TIN

4. FOR ADDITIONAL INFORMATION AND DIMENSIONS OF INDIVIDUAL BAYS

REFER TO THE FOLLOWING SINGLE BAY DRAWINGS:


- 8-20 CKT 0.64: SD-34691-100
- 10 CKT HYBRID: SD-34696-100
- 14 CKT HYBRID: SD-34773-010

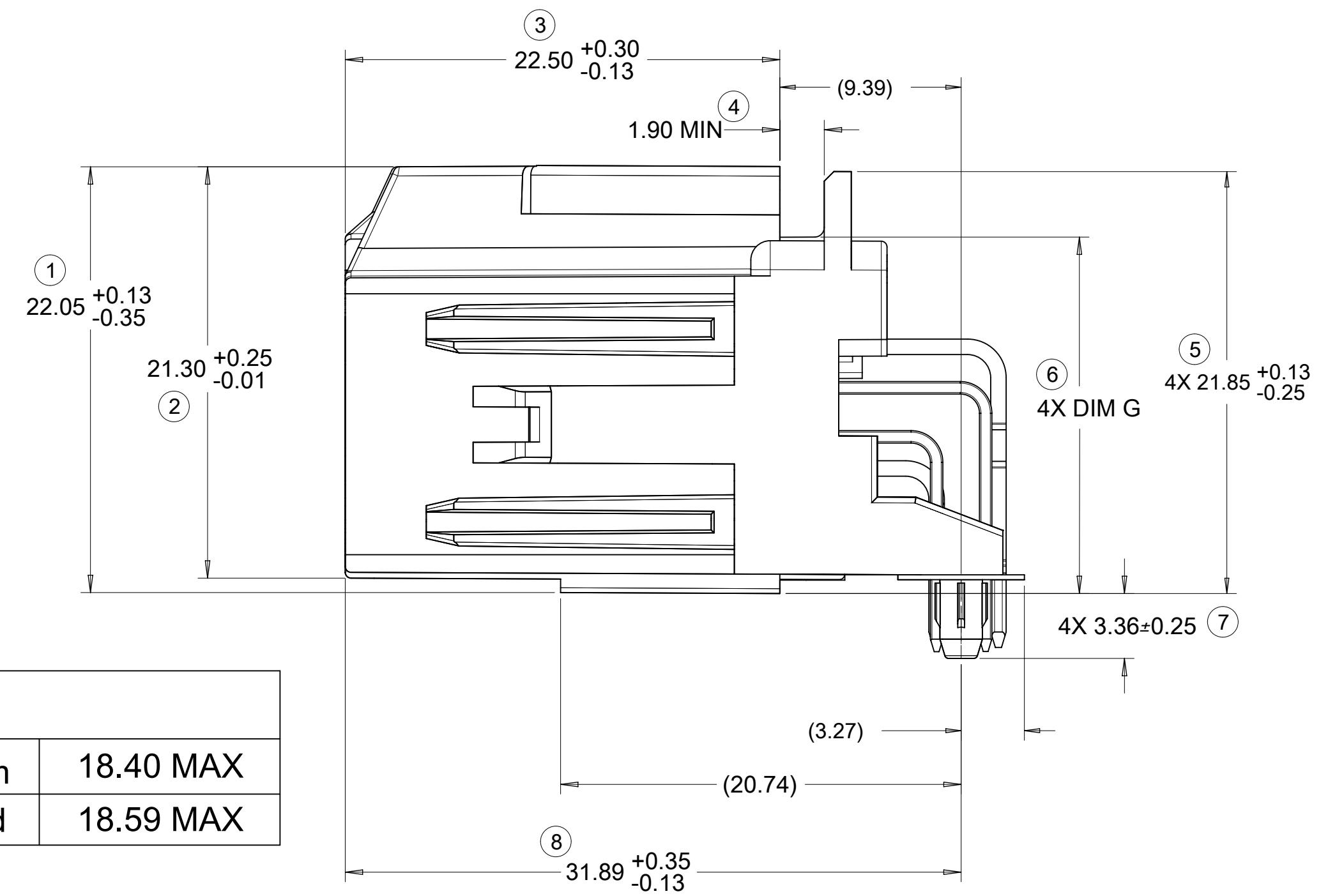
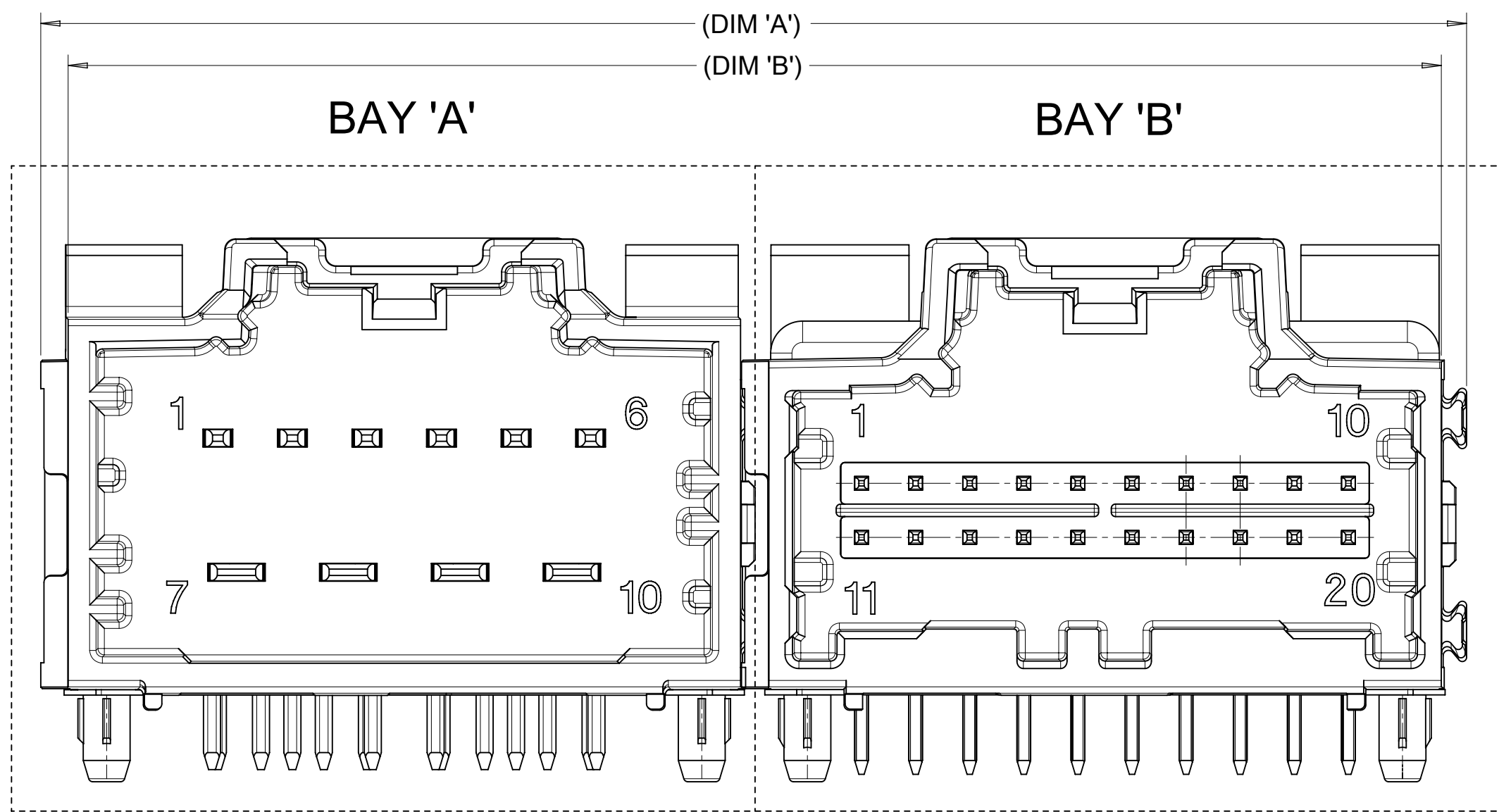
5. DENOTES DIMENSIONS THAT MAY BE QUALIFIED WITH A GAUGE.

QUALITY SYMBOLS = 0 = 0 = 0 = 0 = 0 = 0 = 0 = 0 = 0	THIS DRAWING CONTAINS INFORMATION THAT IS PROPRIETARY TO MOLEX ELECTRONIC TECHNOLOGIES, LLC AND SHOULD NOT BE USED WITHOUT WRITTEN PERMISSION									
	ADDED NEW P/N 34708-2047	2019/05/14	GENERAL TOLERANCES (UNLESS SPECIFIED)	DIMENSION UNITS	SCALE					
	EC NO: 617230	2019/05/14	DRWN: SHANDITHAVAL	mm	4:1					
	DRWN: SHANDITHAVAL	2019/05/14	CHKD: RBAUMAN	DRWN BY	DATE	2-BAY STAC64 RIGHT ANGLE HEADER ASSEMBLY SALES DRAWING				
	CHKD: RBAUMAN	2019/05/14	REV APPR: RBAUMAN	MBAILEY	2008/08/14					
	REV APPR: RBAUMAN	2019/05/14	ANGULAR TOL ± 1.0 °	CHKD BY	DATE	PRODUCT CUSTOMER DRAWING				
			4 PLACES ±	CDILLON	2009/02/17					
			3 PLACES ±	APPR BY	DATE	SERIES: 34708 MATERIAL NUMBER: SEE CHART CUSTOMER: GENERAL MARKET				
			2 PLACES ± 0.13	SMARCEAU	2008/08/14					
			1 PLACE ± 0.25	DRAWING SIZE	THIRD ANGLE PROJECTION	DOCUMENT NUMBER: SD-34708-200 DOC TYPE: PSD DOC PART: 001 SHEET NUMBER: 1 OF 6				
		0 PLACES ±	D							
		DRAFT WHERE APPLICABLE MUST REMAIN WITHIN DIMENSIONS								

DIMENSIONAL CHART FOR MULTIBAY CONFIGURATION:

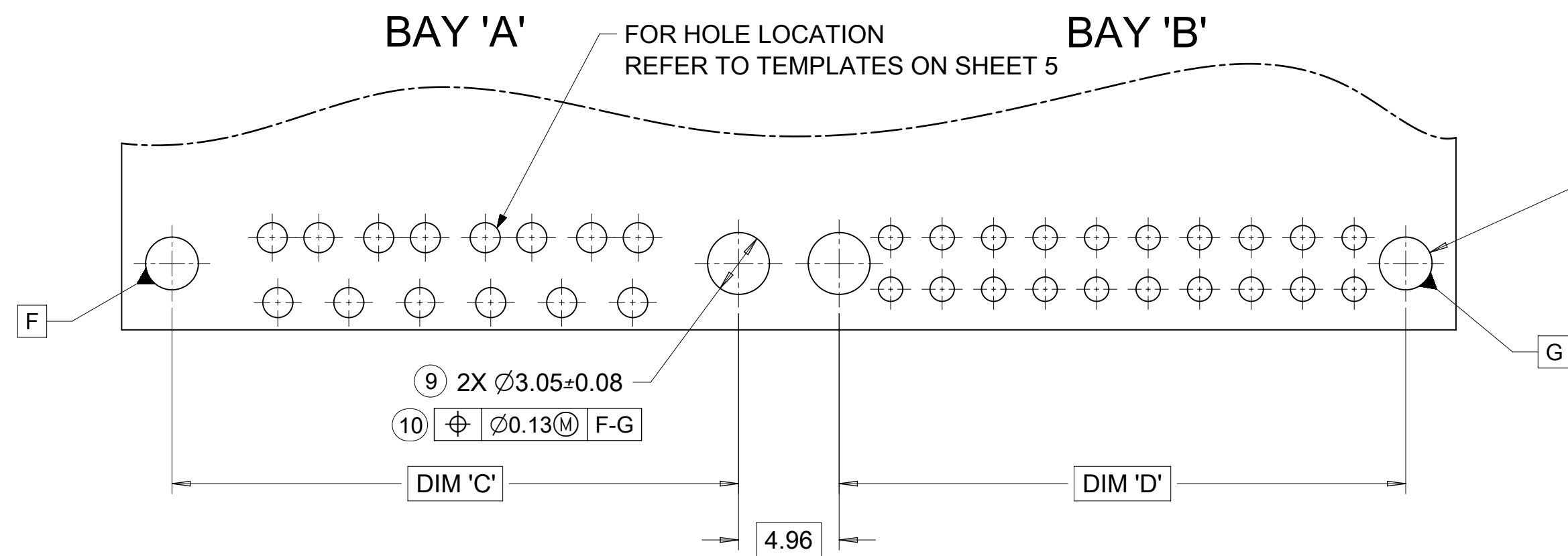
2 BAY PART NUMBER (ALT TRAY)	2 BAY PART NUMBER (TUBE PKG)	2 BAY PART NUMBER (TRAY PKG)	BAY A			BAY B			DIM 'A'	DIM 'B'	DIM 'C'	DIM 'D'
			CKT	TYPE	POL	CKT	TYPE	POL				
TBD	34708-7000	34708-2000	20	0.64mm	A	20	0.64mm	B	66.94	64.47	27.94	27.94
TBD	TBD	34708-2001	20	0.64mm	B	20	0.64mm	C	66.94	64.47	27.94	27.94
TBD	TBD	34708-2002	20	0.64mm	C	20	0.64mm	D	66.94	64.47	27.94	27.94
TBD	34708-7003	34708-2003	20	0.64mm	C	8	0.64mm	A	51.70	49.23	27.94	12.70
TBD	34708-7004	34708-2004	20	0.64mm	C	12	0.64mm	A	56.78	54.31	27.94	17.78
TBD	TBD	34708-2005	14	HYBRID	C	20	0.64mm	C	66.94	64.47	27.94	27.94
TBD	TBD	34708-2006	16	0.64mm	B	20	0.64mm	B	61.86	59.39	22.86	27.94
TBD	TBD	34708-2007	16	0.64mm	C	20	0.64mm	C	61.86	59.39	22.86	27.94
TBD	TBD	34708-2008	20	0.64mm	A	20	0.64mm	C	66.94	64.47	27.94	27.94
TBD	TBD	34708-2009	8	0.64mm	A	8	0.64mm	B	36.46	33.99	12.70	12.70
TBD	TBD	34708-2010	12	0.64mm	A	10	HYBRID	B	56.78	54.31	17.78	27.94
TBD	TBD	34708-2011	20	0.64mm	C	20	0.64mm	B	66.94	64.47	27.94	27.94
TBD	TBD	34708-2012	10	HYBRID	A	20	0.64mm	C	66.94	64.47	27.94	27.94
TBD	TBD	34708-2013	12	0.64mm	A	20	0.64mm	B	56.78	54.31	17.78	27.94
TBD	TBD	34708-2014	14	HYBRID	C	20	0.64mm	B	66.94	64.47	27.94	27.94
TBD	TBD	34708-2015	20	0.64mm	B	14	HYBRID	C	66.94	64.47	27.94	27.94
TBD	TBD	34708-2016	12	0.64mm	B	20	0.64mm	D	56.78	54.31	17.78	27.94
TBD	TBD	34708-2017	16	0.64mm	A	8	0.64mm	C	46.62	44.15	22.86	12.70
TBD	TBD	34708-2018	12	0.64mm	A	16	0.64mm	A	51.70	49.23	22.86	17.78
TBD	TBD	34708-2019	20	0.64mm	A	12	0.64mm	A	56.78	54.31	27.94	17.78
TBD	34708-7012	34708-2020	10	HYBRID	A	16	0.64mm	A	61.86	59.39	27.94	22.86
TBD	TBD	34708-2021	16	0.64mm	B	16	0.64mm	A	56.78	54.31	22.86	22.86
TBD	TBD	34708-2022	20	0.64mm	C	10	HYBRID	A	66.94	64.47	27.94	27.94
TBD	TBD	34708-2023	20	0.64mm	A	20	0.64mm	C	66.94	64.47	27.94	27.94
TBD	TBD	34708-2024	8	0.64mm	A	10	HYBRID	A	51.70	49.23	12.70	27.94
TBD	TBD	34708-2025	8	0.64mm	B	10	HYBRID	A	51.70	49.23	12.70	27.94
TBD	TBD	34708-2026	16	0.64mm	A	20	0.64mm	A	61.86	59.39	22.86	27.94
TBD	TBD	34708-2027	8	0.64mm	B	8	0.64mm	B	36.46	33.99	12.70	12.70
TBD	TBD	34708-2028	16	0.64mm	A	8	0.64mm	A	46.62	44.15	22.86	12.70
TBD	TBD	34708-2029	12	0.64mm	A	12	0.64mm	B	46.62	44.15	17.78	17.78
TBD	34708-7030	34708-2030	10	HYBRID	B	10	HYBRID	A	66.94	64.47	27.94	27.94
TBD	TBD	34708-2031	12	0.64mm	B	12	0.64mm	A	46.62	44.15	17.78	17.78
TBD	TBD	34708-2032	20	0.64mm	D	16	0.64mm	B	61.68	59.39	27.94	22.86
TBD	TBD	34708-2033	20	0.64mm	D	16	0.64mm	C	61.86	59.39	27.94	22.86
TBD	TBD	34708-2034	16	0.64mm	B	20	0.64mm	D	61.68	59.39	22.86	27.94
TBD	TBD	34708-2035	16	0.64mm	C	20	0.64mm	D	61.86	59.39	22.86	27.94
TBD	TBD	34708-2036	8	0.64mm	C	16	0.64mm	C	46.62	44.15	12.70	22.86
34708-7537	TBD	34708-2037	16	0.64mm	A	10	HYBRID	B	61.86	59.39	22.86	27.94
34708-7538	TBD	34708-2038	10	HYBRID	A	16	0.64mm	C	61.86	59.39	27.94	22.86
TBD	TBD	34708-2039	14	HYBRID	A	20	0.64mm	D	66.94	64.47	27.94	27.94
TBD	TBD	34708-2040	20	0.64mm	A	8	0.64mm	A	51.70	49.23	27.94	12.70
TBD	TBD	34708-2041	12	0.64mm	B	16	0.64mm	A	51.70	49.23	17.78	22.86
TBD	TBD	34708-2042	16	0.64mm	A	16	0.64mm	A	56.78	54.31	22.86	22.86
TBD	TBD	34708-2043	20	0.64mm	B	20	0.64mm	A	66.94	64.47	27.94	27.94
TBD	TBD	34708-2044	10	HYBRID	A	10	HYBRID	B	66.94	64.47	27.94	27.94
TBD	TBD	34708-2045	20	0.64mm	A	14	HYBRID	B	66.94	64.47	27.94	27.94
TBD	TBD	34708-2046	20	0.64mm	C	14	HYBRID	A	66.94	64.47	27.94	27.94

QUALITY SYMBOLS ▽ = 0 ▽ = 0 ▽ = 0 ▽ = 0 ▽ = 0 ▽ = 0 ▽ = 0 ▽ = 0 ▽ = 0 ▽ = 0	THIS DRAWING CONTAINS INFORMATION THAT IS PROPRIETARY TO MOLEX ELECTRONIC TECHNOLOGIES, LLC AND SHOULD NOT BE USED WITHOUT WRITTEN PERMISSION										
	EC NO: 617230	2019/05/14	2019/05/14	2019/05/14	GENERAL TOLERANCES (UNLESS SPECIFIED)		DIMENSION UNITS	SCALE	 2-BAY STAC64 RIGHT ANGLE HEADER ASSEMBLY SALES DRAWING PRODUCT CUSTOMER DRAWING		
	DRWN: SHANDITHAVAL	2019/05/14	2019/05/14	2019/05/14	ANGULAR TOL ± 1.0 °		mm	4:1			
	CHKD: REAUMAN	DRWN BY		DATE		4 PLACES ±		MBAILEY 2008/08/14		SERIES	
	REV APPR: REAUMAN	CHKD BY		DATE		3 PLACES ±		CDILLON 2009/02/17		MATERIAL NUMBER	
	ADDED NEW P/N 34708-2047	APPR BY		DATE		2 PLACES ± 0.13		SMARCEAU 2008/08/14		CUSTOMER	
		1 PLACE ± 0.25		DRAWING SIZE		0 PLACES ±		D		34708 SEE CHART GENERAL MARKET	
		DRAFT WHERE APPLICABLE MUST REMAIN WITHIN DIMENSIONS		THIRD ANGLE PROJECTION						DOCUMENT NUMBER	
										SD-34708-200 PSD 001 2 OF 6	



FOR DIM G:	
8-20CKT 0.64mm	18.40 MAX
10/14CKT Hybrid	18.59 MAX

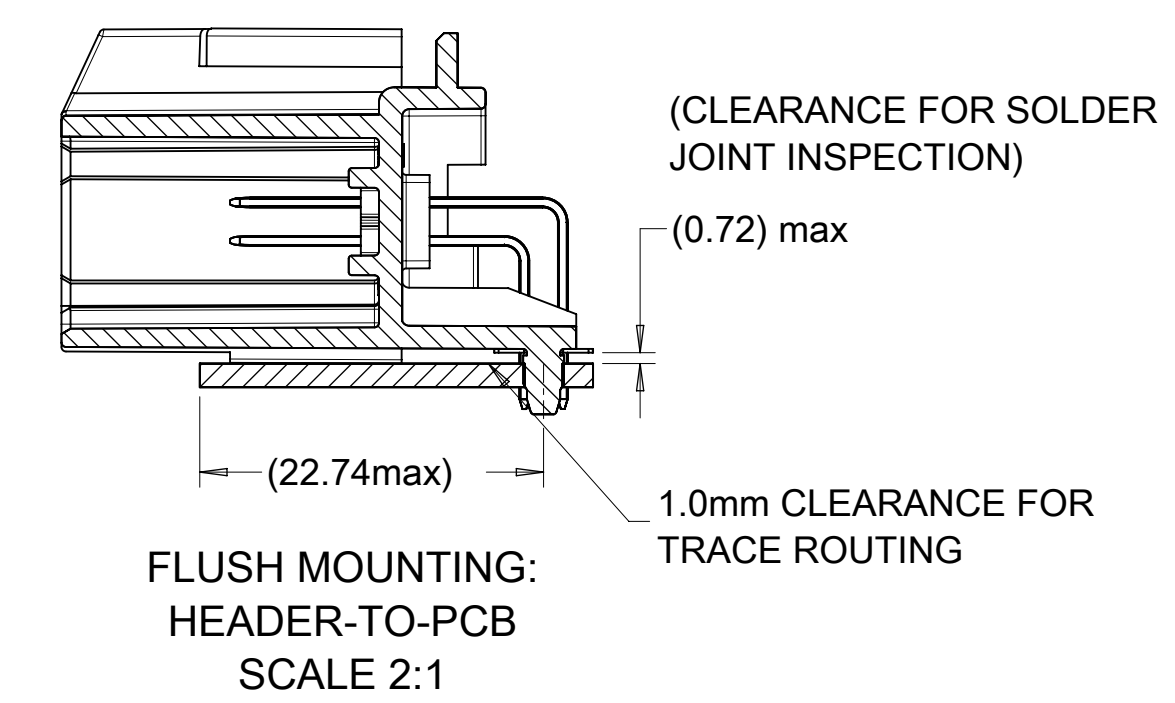
RECOMMENDED PCB LAYOUT
INSERT NECESSARY BAYS USING CHART ON SHEET 2 AND 3



POST HOLE TABLE:

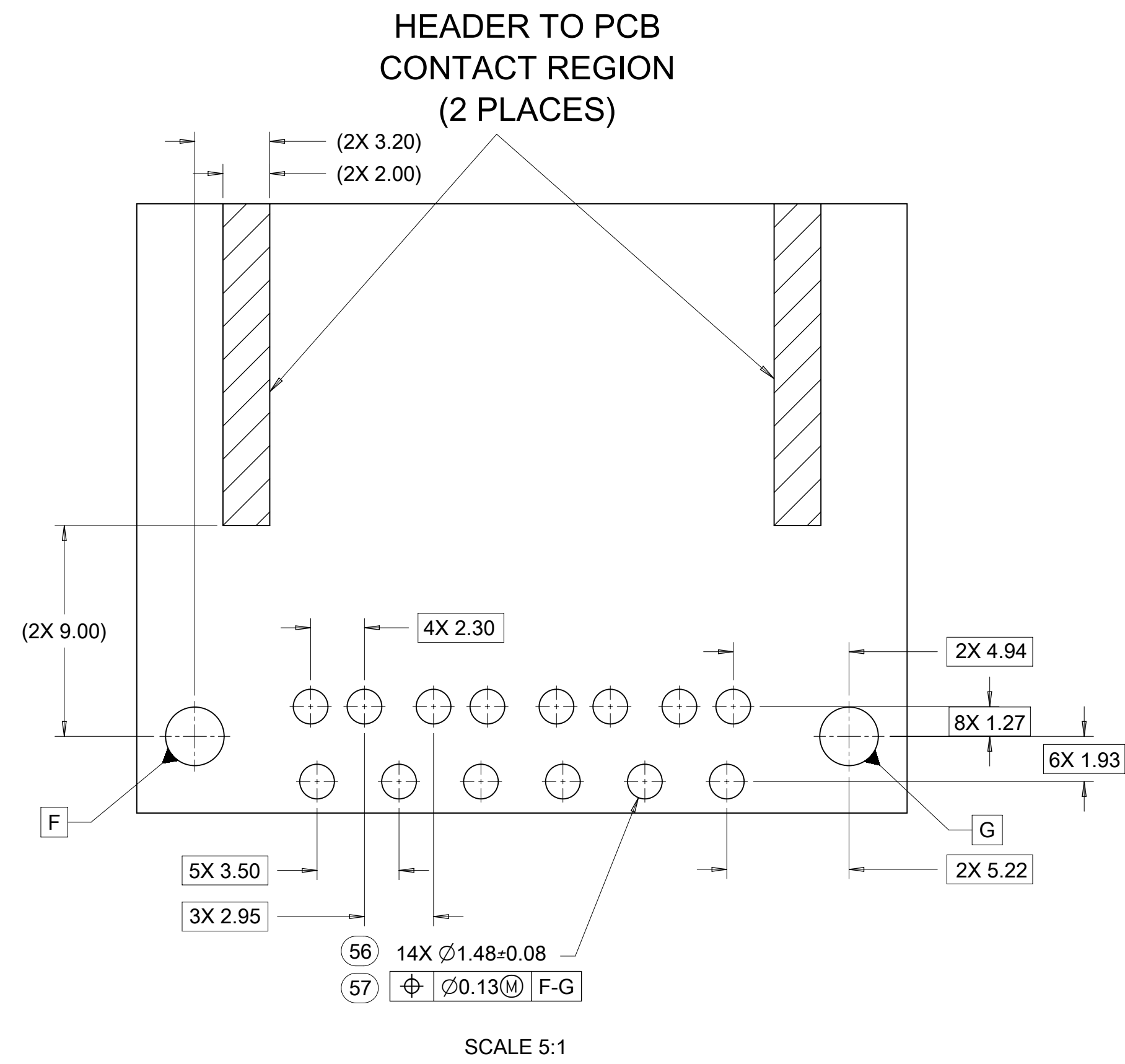
FOR DIM Z:	
PRESS FIT:	2.60
DROP IN:	3.05

ALL CIRCUIT OPTIONS

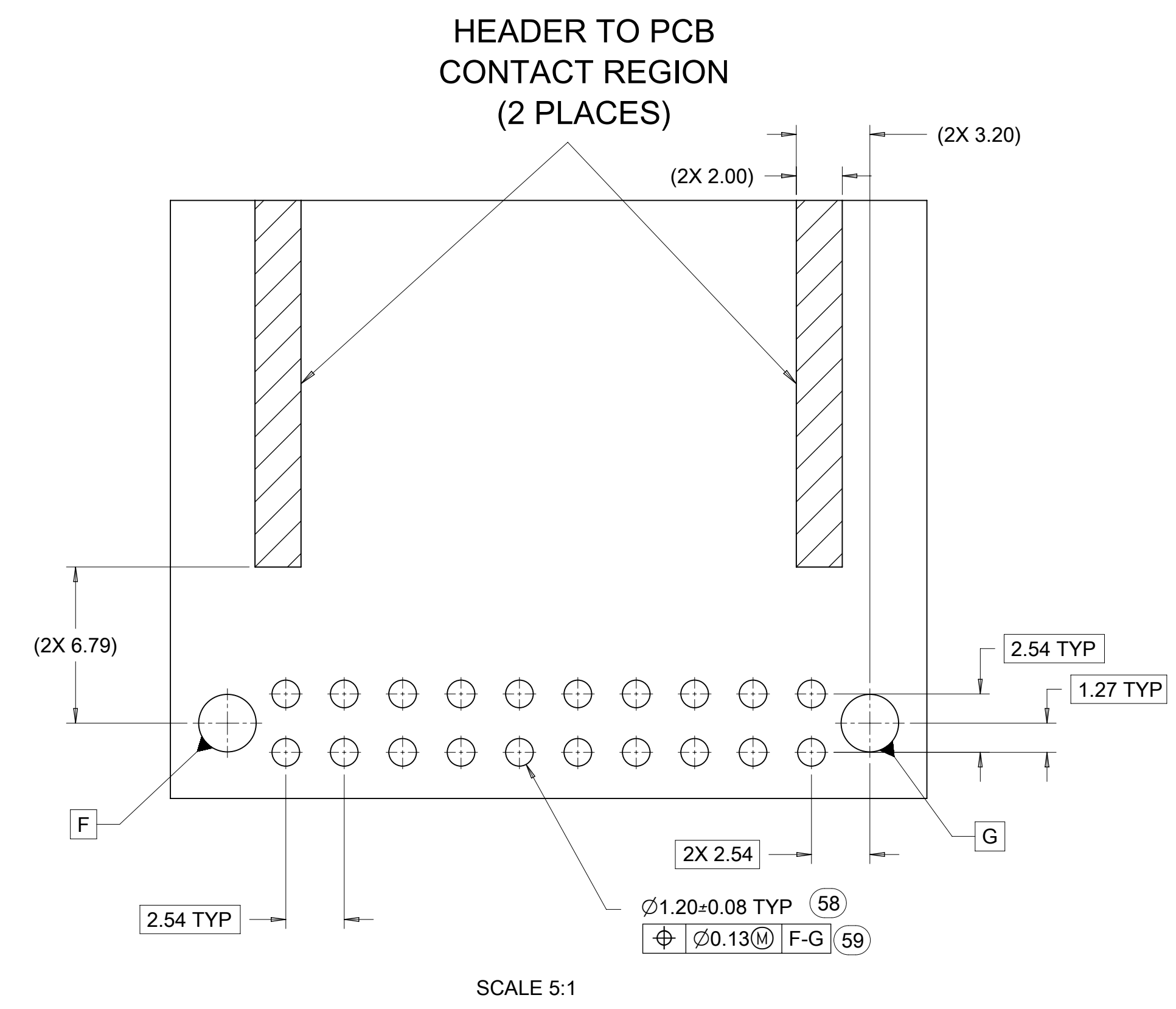


QUALITY SYMBOLS □ = 0 ▽ = 0 ▽ = 0 ▽ = 0 ▽ = 0 ▽ = 0 ▽ = 0 ▽ = 0 ▽ = 0 ▽ = 0 ▽ = 0	THIS DRAWING CONTAINS INFORMATION THAT IS PROPRIETARY TO MOLEX ELECTRONIC TECHNOLOGIES, LLC AND SHOULD NOT BE USED WITHOUT WRITTEN PERMISSION									
	ADDED NEW P/N 34708-2047	GENERAL TOLERANCES (UNLESS SPECIFIED)		DIMENSION UNITS	SCALE					
	EC NO: 617230	mm	4:1							
	DRWN: SHANDITHAVAL	ANGULAR TOL ± 1.0 °	DRWN BY	DATE	2-BAY STAC64 RIGHT ANGLE HEADER ASSEMBLY SALES DRAWING					
	2019/05/14	4 PLACES ±	MBAILEY	2008/08/14						
	CHKD: RBAUMAN	3 PLACES ±	CHKD BY	DATE	PRODUCT CUSTOMER DRAWING					
	2019/05/14	2 PLACES ± 0.13	CDILLON	2009/02/17						
	REV APPR: RBAUMAN	1 PLACE ± 0.25	APPR BY	DATE	PRODUCT CUSTOMER DRAWING					
		0 PLACES ±	SMARCEAU	2008/08/14						
		DRAFT WHERE APPLICABLE MUST REMAIN WITHIN DIMENSIONS	DRAWING SIZE	THIRD ANGLE PROJECTION	SERIES	MATERIAL NUMBER	CUSTOMER			
		D		34708	SEE CHART	GENERAL MARKET				
				DOCUMENT NUMBER	DOC TYPE	DOC PART	SHEET NUMBER			
				SD-34708-200	PSD	001	4 OF 6			

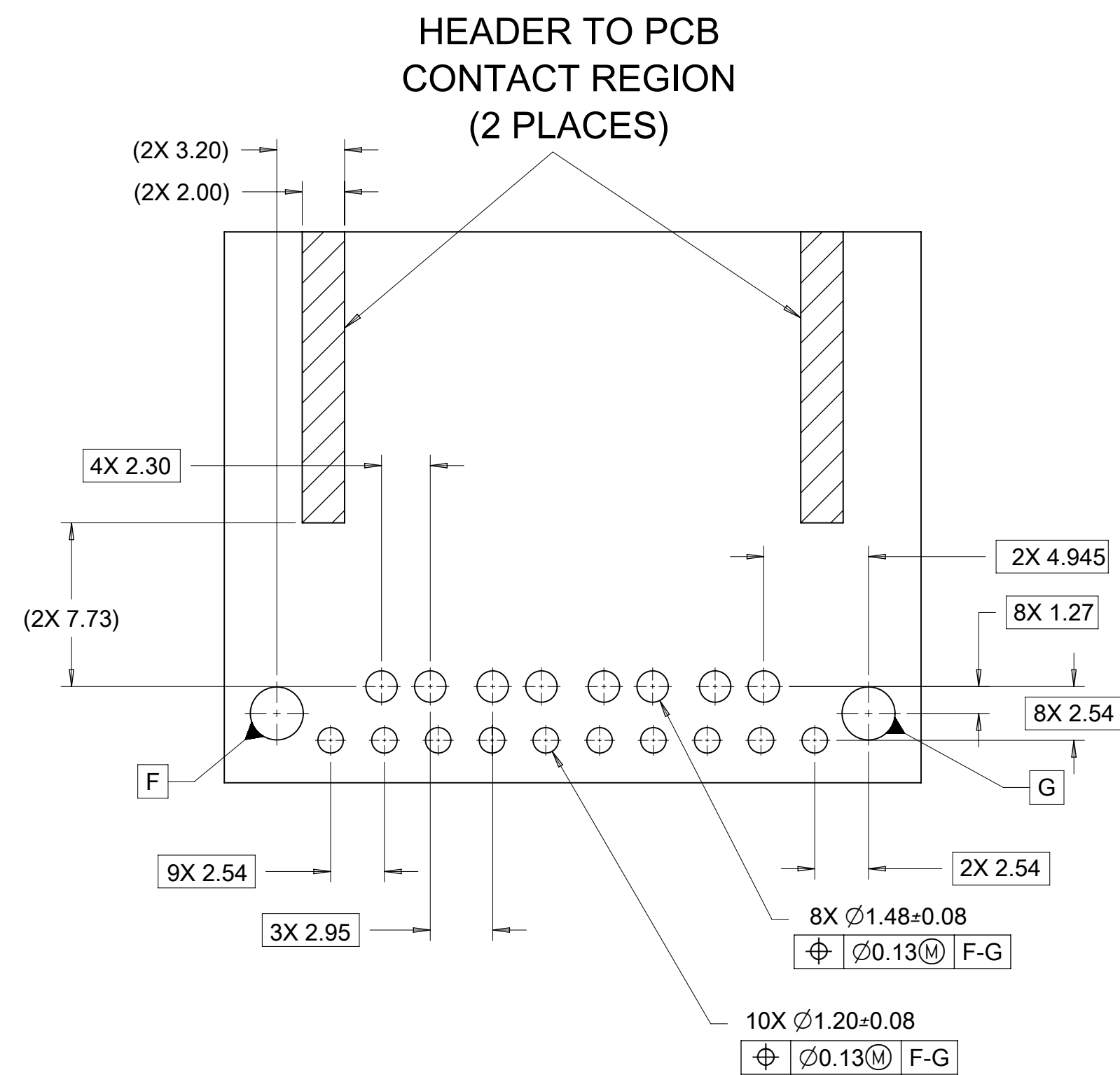
10 CKT HYBRID TEMPLATE
PCB LAYOUT



8-20 CKT STAC64 TEMPLATE
PCB LAYOUT



14 CKT HYBRID TEMPLATE
PCB LAYOUT



QUALITY SYMBOLS ▽ = 0 ▽ = 0 ▽ = 0 ▽ = 0 ▽ = 0 ▽ = 0 ▽ = 0 ▽ = 0 ▽ = 0 ▽ = 0	THIS DRAWING CONTAINS INFORMATION THAT IS PROPRIETARY TO MOLEX ELECTRONIC TECHNOLOGIES, LLC AND SHOULD NOT BE USED WITHOUT WRITTEN PERMISSION										
	EC NO: 617230	DRWN: SHANDITHAVAL	CHKD: RBAUMAN	REV APPR: RBAUMAN	ADDED NEW P/N 34708-2047	2019/05/14	2019/05/14	2019/05/14	GENERAL TOLERANCES (UNLESS SPECIFIED)	DIMENSION UNITS	SCALE
	ANGULAR TOL ± 1.0 °								mm	4:1	
	4 PLACES ±	MBAILEY	2008/08/14	DRWN BY	DATE	2-BAY STAC64 RIGHT ANGLE HEADER ASSEMBLY SALES DRAWING					
	3 PLACES ±	CDILLON	2009/02/17	CHKD BY	DATE	PRODUCT CUSTOMER DRAWING					
	2 PLACES ± 0.13	SMARCEAU	2008/08/14	APPR BY	DATE	SERIES	MATERIAL NUMBER	CUSTOMER			
	1 PLACE ± 0.25	DRAFTING SIZE		THIRD ANGLE PROJECTION		34708	SEE CHART	GENERAL MARKET			
	0 PLACES ±	DRAFT WHERE APPLICABLE MUST REMAIN WITHIN DIMENSIONS		D		DOCUMENT NUMBER	DOC TYPE	DOC PART	SHEET NUMBER		
						SD-34708-200	PSD	001	6 OF 6		
						Y2					

X-ON Electronics

Largest Supplier of Electrical and Electronic Components

Click to view similar products for [Automotive Connectors](#) category:

Click to view products by [Molex](#) manufacturer:

Other Similar products are found below :

[003-018-000](#) [600858](#) [60403001](#) [60993906-B](#) [60993913-B](#) [629515004020001](#) [M902-2131](#) [M902-2161](#) [M902-2344](#) [72.330.1035.1](#)
[73.353.4028.0](#) [F118010](#) [F119300-B](#) [F132210](#) [F132210-B](#) [F166900](#) [F180100](#) [F258300](#) [F258300-B](#) [F294300-B](#) [F339100](#) [F339700](#) [F358300-](#)
[B](#) [F374110](#) [F407400](#) [F412210](#) [F427600](#) [F444110](#) [F487000](#) [F495100-B](#) [F500900-B](#) [F509500B-B](#) [770444-1](#) [776880-1](#) [827153-1](#) [881735-1](#)
[8N1515-32-24P](#) [9-1326727-8](#) [9-1326729-8](#) [925467-1](#) [925474-1](#) [928905-1](#) [936398-2](#) [964562-1](#) [964562-4](#) [964731-2](#) [965051-1](#) [968782-1](#)
[GT17SA-8DS-HU](#) [GT17VS-10DP-5.2CF](#)