

**PLEASE CHECK WWW.MOLEX.COM FOR LATEST PART INFORMATION**

**Part Number:** [0347520204](#)  
**Status:** **Active**  
**Overview:** MX150 Sealed and Unsealed Connector System  
**Description:** MX150 Cable-Sealed Female Connector Assembly, Single Row, 2 Circuits, Keying Option A, with Connector Position Assurance, Black

**Documents:**

<a href="#">3D Model</a>	<a href="#">Packaging Specification PK-31300-635-001 (PDF)</a>
<a href="#">3D Model (PDF)</a>	<a href="#">Packaging Specification PK-31300-903-001 (PDF)</a>
<a href="#">Drawing (PDF)</a>	<a href="#">Test Summary TS-34752-0001-001 (PDF)</a>
<a href="#">Product Specification PS-34752-0001-001 (PDF)</a>	<a href="#">Datasheet (PDF)</a>
<a href="#">Application Specification AS-34752-000-001 (PDF)</a>	<a href="#">RoHS Certificate of Compliance (PDF)</a>

**General**

Product Family	Crimp Housings
Series	<a href="#">34752</a>
Application	Power
Overview	<a href="#">MX150 Sealed and Unsealed Connector System</a>
Polarization	A
Product Name	MX150
UPC	884982136755

**Physical**

Circuits (maximum)	2
Color - Resin	Black
Gender	Receptacle
Glow-Wire Capable	No
Keying to Mating Part	Yes
Lock to Mating Part	Yes
Material - Resin	Nylon
Net Weight	6.439/g
Number of Rows	1
Packaging Type	Bag
Panel Mount	No
Pitch - Mating Interface	1.50mm
Pitch - Termination Interface	1.50mm
Polarized to Mating Part	Yes
Stackable	No
Temperature Range - Operating	-40° to +125°C

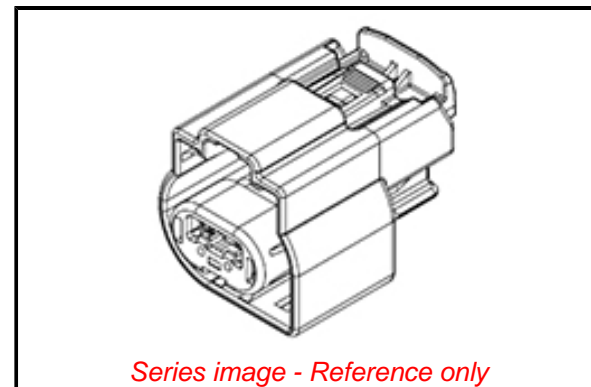
**Solder Process Data**

Lead-freeProcess Capability	N/A
-----------------------------	-----

**Material Info**

**Reference - Drawing Numbers**

Application Specification	AS-34752-000-001
Packaging Specification	PK-31300-635-001, PK-31300-903-001
Product Specification	PS-34752-0001-001
Sales Drawing	SD-34752-020-000
Test Summary	TS-34752-0001-001



**EU ELV**

**Compliant**

**EU RoHS**

**Compliant**

**REACH SVHC**

Not Contained Per -  
D(2021)4569-DC (8  
July 2021)

**Halogen-Free**

**Status**

**Low-Halogen**

For more information, please visit [Contact US](#)

China ROHS

ELV

RoHS Phthalates

**China RoHS**

Green Image

Compliant

Not Contained

**Search Parts in this Series**

[34752 Series](#)

## X-ON Electronics

Largest Supplier of Electrical and Electronic Components

*Click to view similar products for [Automotive Connectors](#) category:*

*Click to view products by [Molex](#) manufacturer:*

Other Similar products are found below :

[003-018-000](#) [60403001](#) [60993906-B](#) [M902-2131](#) [M902-2161](#) [72.330.1035.1](#) [73.353.4028.0](#) [F119300-B](#) [F166900](#) [F258300-B](#) [F358300-B](#)  
[F407400](#) [F444110](#) [F487000](#) [F509500B-B](#) [827153-1](#) [8N1515-32-24P](#) [9-1326729-8](#) [925474-1](#) [928905-1](#) [964562-4](#) [968782-1](#) [GT17SA-8DS-](#)  
[HU](#) [98891-1012](#) [98947-1016](#) [12004475-L](#) [12010290](#) [12010309-B](#) [12015454](#) [12020219-B](#) [12020308](#) [12041318-B](#) [12052225-L](#) [12052466](#)  
[12059125](#) [12064869](#) [12004327-B](#) [12010503-B](#) [12015308](#) [12015384](#) [12015909](#) [1-21030-1](#) [12041254](#) [12041318](#) [12047946-B](#) [12047957](#)  
[12047957-L](#) [12059473](#) [12066261](#) [12110546](#)