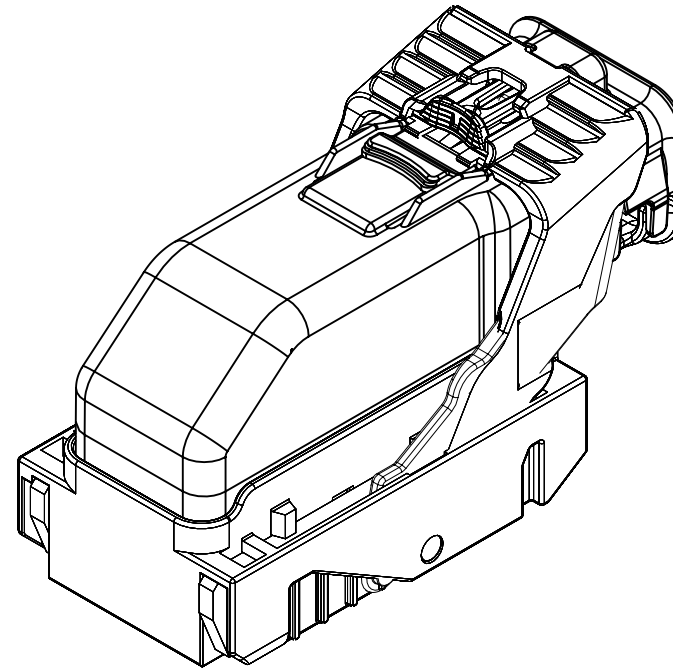

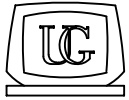


INDEX	
PAGE TITLE	PAGE
TITLE BLOCK	1
REVISION BLOCK	2
PART BLOCK	3
KPC BLOCK	4
COMPONENT TABLE	5
NOTES	6
NOTES	7
WIRE DRESS PACKAGING DIMENSIONS	8
LOCATION AND PACKAGING DIMENSIONS REFERENCING INTERFACE DATUMS B & C	9
LOCATION AND PACKAGING DIMENSIONS REFERENCING INTERFACE DATUM A	10
KEY ID REF - WIRE DRESS OPTION 0	11
KEY ID REF - WIRE DRESS OPTION 9	12
CIRCUIT CONFIGURATIONS	13
CIRCUIT CONFIGURATIONS	14
COMPONENT CONNECTOR INTERFACE	15
COMPONENT CONNECTOR INTERFACE	16
COMPONENT CONNECTOR INTERFACE	17
COMPONENT CONNECTOR INTERFACE	18
COMPONENT CONNECTOR INTERFACE	19
COMPONENT CONNECTOR INTERFACE	20
COMPONENT CONNECTOR INTERFACE	21




ISO VIEW

	<p>UNLESS OTHERWISE SPECIFIED: THIS DOCUMENT IS IN ACCORDANCE WITH ASME Y14.5M-1994 AS AMMENDED BY THE GM GLOBAL DIMENSIONING AND TOLERANCING ADDENDUM-1997. ALL GEOMETRIC TOLERANCES AND RELATED DATUMS APPLY RFS. RULE #1 (PERFECT FORM AT MMC) DOES NOT APPLY WHEN A RELATIONSHIP BETWEEN FEATURES IS ESTABLISHED BY ORIENTATION OR LOCATION TOLERANCES. SEPARATE POSITION CALLOUTS MAY BE GAGED SEPARATELY REGARDLESS OF DATUM REFERENCES.</p>			DATE
	 CHANGE RESTRICTED NO MANUAL CHANGES	REFERENCE 12H (MOLEX AUTOMOTIVE)	DRAFTER J SZYMKOWSKI APVD1 D PFAFFINGER APVD2 B BURT APVD3 APVD4 APVD5	22DE05 22DE05 22DE05
DO NOT SCALE	DRAWING NAME HARNESS CONN ASM 66/73/80 CKTS			
METRIC DIMENSIONS SHOWN IN MILLIMETERS UNLESS OTHERWISE SPECIFIED	DRAWING NUMBER 12642695			
	DWG STATUS		PAGE NUMBER	
	ST	REV	PD1	
	R	002	1 OF 21	

PAGE	DWG STATUS					REVISION HISTORY	AUTH	DR	CK	ENG
	DATE	ST	REV	CHG	PDI					
	19DE11	R	001			RELEASED TO PRODUCTION AT DLS A	CRMRJB	SC	MRO	GF
3	08MY15	R	002	A		REORDERED PART BLOCK AND ADDED MASS CORRECTED P/N TYPO FROM 12562676 TO 12582676				
3, 5		R	002	B		ADDED 12659312, 12659313, 12653574 AND 12653575				
6		R	002	C		REMOVED NOTE 1 . D . 3 . C				
20		R	002	D		DIM 125 WAS 3.25 DIM 131 WAS 5.5	CRMRJD	DFK	MRO	GF

PAGE	DWG STATUS					REVISION HISTORY	AUTH	DR	CK	ENG
	DATE	ST	REV	CHG	PDI					

	PAGE TITLE	DRAWING NUMBER	DWG STATUS			PAGE NUMBER	
	REVISION BLOCK		12642695	ST	REV		PDI
				R	002		
					2 OF 21		

KEY PRODUCT CHARACTERISTICS
(IN ACCORDANCE WITH QN 1805 OR ON 1050)



SAFETY/COMPLIANCE

TOTAL ON
DRAWING

5



FIT/FUNCTION

LAST NO.
USED

5

NO	TYPE	DESCRIPTION	RATIONALE	PAGE/ZONE
1	F/F	32.68	IMPROVE CONNECTOR SYSTEM MATING	15
2	F/F	29.00	INSURE PROPER RELEASE OF LEVER	15
3	F/F	15.25	INSURE FINAL MATE POSITION	16
5	F/F	POSITIONAL TOLERANCE (2 PLACES)	INSURE CONNECTOR SYSTEM MATEABILITY	19



PAGE TITLE
KPC BLOCK

DRAWING NUMBER

12642695

DWG STATUS

ST	REV	PD1
----	-----	-----

R	002	
---	-----	--

PAGE NUMBER

4 OF 21

LINE	MFG.	MFG. P/N	GM P/N	EFFECTIVE DATE	APPLICABLE COMPONENTS	KEY OPTION	WIRE DRESS OPTION	KEY CONFIG.	COLOR	STATUS
					DESCRIPTION					
-										
1	MOLEX	34565-0003	12582676	02JN03	MX123 DRESS COVER 66/73/80 CKT	N/A	N/A	N/A	BLACK	AVAILABLE
2	MOLEX	34822-0013	12642692	01SP13	MX123 HRNS CONN ASSY 66 CKT	A	0	1458	BLACK	AVAILABLE
3	MOLEX	34822-0033	12659312	01SP13	MX123 HRNS CONN ASSY 66 CKT	C	0	2467	BLUE	AVAILABLE
4	MOLEX	34822-0023	12642693	01SP13	MX123 HRNS CONN ASSY 66 CKT	A	9	1458	BLACK	AVAILABLE
5	MOLEX	34822-0043	12659313	01SP13	MX123 HRNS CONN ASSY 66 CKT	C	9	2467	BLUE	AVAILABLE
6	MOLEX	34566-0103	12582677	11JN04	MX123 HRNS CONN ASSY 73 CKT	A	0	1458	BLACK	AVAILABLE
7	MOLEX	34566-0203	12582678	11JN04	MX123 HRNS CONN ASSY 73 CKT	B	0	1468	ST GRAY	AVAILABLE
8	MOLEX	34566-0303	12615654	09AP08	MX123 HRNS CONN ASSY 73 CKT	C	0	2467	BLUE	AVAILABLE
9	MOLEX	34566-0403	12647268	T.B.D	MX123 HRNS CONN ASSY 73 CKT	D	0	2367	BROWN	NOT ACTIVE
10	MOLEX	34566-0503	AMJ28633	T.B.D	MX123 HRNS CONN ASSY 73 CKT	E	0	2468	GREEN	NOT ACTIVE
11	MOLEX	34566-0603	12653574	05DC14	MX123 HRNS CONN ASSY 73 CKT	F	0	1357	NATURAL	AVAILABLE
12	MOLEX	34566-0703	12588057	09AP08	MX123 HRNS CONN ASSY 80 CKT	G	0	1358	BLUE	AVAILABLE
13	MOLEX	34566-0803	12588058	11JN04	MX123 HRNS CONN ASSY 80 CKT	H	0	2458	ST GRAY	AVAILABLE
14	MOLEX	34566-0903	12615656	T.B.D	MX123 HRNS CONN ASSY 80 CKT	J	0	2457	BLACK	NOT ACTIVE
15	MOLEX	34566-1003	AMJ28595	T.B.D	MX123 HRNS CONN ASSY 80 CKT	K	0	2357	BROWN	NOT ACTIVE
16	MOLEX	34566-1103	AMJ29057	T.B.D	MX123 HRNS CONN ASSY 80 CKT	L	0	2368	GREEN	NOT ACTIVE
17	MOLEX	34566-1203	AMJ28669	T.B.D	MX123 HRNS CONN ASSY 80 CKT	M	0	2358	NATURAL	NOT ACTIVE
18	MOLEX	34566-1303	12603596	11JN04	MX123 HRNS CONN ASSY 73 CKT	A	9	1458	BLACK	AVAILABLE
19	MOLEX	34566-1403	12603597	11JN04	MX123 HRNS CONN ASSY 73 CKT	B	9	1468	ST GRAY	AVAILABLE
20	MOLEX	34566-1503	12615655	09AP08	MX123 HRNS CONN ASSY 73 CKT	C	9	2467	BLUE	AVAILABLE
21	MOLEX	34566-1603	12647269	T.B.D	MX123 HRNS CONN ASSY 73 CKT	D	9	2367	BROWN	NOT ACTIVE
22	MOLEX	34566-1703	AMJ28698	T.B.D	MX123 HRNS CONN ASSY 73 CKT	E	9	2468	GREEN	NOT ACTIVE
23	MOLEX	34566-1803	12653575	05DC14	MX123 HRNS CONN ASSY 73 CKT	F	9	1357	NATURAL	AVAILABLE
24	MOLEX	34566-1903	12603598	09AP08	MX123 HRNS CONN ASSY 80 CKT	G	9	1358	BLUE	AVAILABLE
25	MOLEX	34566-2003	12603599	11JN04	MX123 HRNS CONN ASSY 80 CKT	H	9	2458	ST GRAY	AVAILABLE
26	MOLEX	34566-2103	12615657	T.B.D	MX123 HRNS CONN ASSY 80 CKT	J	9	2457	BLACK	NOT ACTIVE
27	MOLEX	34566-2203	AMJ29117	T.B.D	MX123 HRNS CONN ASSY 80 CKT	K	9	2357	BROWN	NOT ACTIVE
28	MOLEX	34566-2303	AMJ29136	T.B.D	MX123 HRNS CONN ASSY 80 CKT	L	9	2368	GREEN	NOT ACTIVE
29	MOLEX	34566-2403	AMJ29214	T.B.D	MX123 HRNS CONN ASSY 80 CKT	M	9	2358	NATURAL	NOT ACTIVE
30	MOLEX	34736-2002	12642697	01AU10	MX64 RCPT TERM Ag 18/20 GAGE B (RIGHT PAYOFF)	N/A	N/A	N/A	N/A	AVAILABLE
31	MOLEX	34736-2001	12642696	01AU10	MX64 RCPT TERM Ag 22 GAGE B (RIGHT PAYOFF)	N/A	N/A	N/A	N/A	AVAILABLE
32	MOLEX	34586-0001	T.B.D.	11JN04	MX123 0.64MM GROMMET PLUG	N/A	N/A	N/A	NATURAL	AVAILABLE
33	YAZAKI	7116-4150-02	12588066	02JN03	2.8mm YESC SEALED FEMALE TERMINAL TIN 20/22 GAGE (CABLE RANGE 0.30mm-0.60mm)	N/A	N/A	N/A	N/A	NOT ACTIVE
34	YAZAKI	7116-4151-02	12588067	02JN03	2.8mm YESC SEALED FEMALE TERMINAL TIN 16/18 GAGE (CABLE RANGE 0.75mm-1.40mm)	N/A	N/A	N/A	N/A	NOT ACTIVE
35	YAZAKI	7116-4152-02	12582685	02JN03	2.8mm YESC SEALED FEMALE TERMINAL TIN 14 GAGE (CABLE RANGE 1.50mm-2.50mm)	N/A	N/A	N/A	N/A	AVAILABLE
36	YAZAKI	7158-3111-60	12588068	02JN03	2.8mm CABLE SEAL (wire O.D. range 1.20mm-1.90mm)	N/A	N/A	N/A	GREEN	NOT ACTIVE
37	YAZAKI	7158-3112-70	12588069	02JN03	2.8mm CABLE SEAL (wire O.D. range 1.80mm-2.30mm)	N/A	N/A	N/A	YELLOW	NOT ACTIVE
38	YAZAKI	7158-3113-40	12582686	02JN03	2.8mm CABLE SEAL (wire O.D. range 2.18mm-3.00mm)	N/A	N/A	N/A	WHITE	AVAILABLE
39	YAZAKI	7158-3114-90	T.B.D	02JN03	2.8mm YESC CAVITY PLUG	N/A	N/A	N/A	BLUE	AVAILABLE
40	MOLEX	63811-4200	XX019825	02JN03	MX64 TERM HAND CRIMP TOOL	N/A	N/A	N/A	N/A	AVAILABLE
41	MOLEX	63813-1400	XX019826	02JN03	MX64 TERM SERVICE TOOL	N/A	N/A	N/A	N/A	AVAILABLE
42	MOLEX	63865-8000	XX019827	02JN03	MX64 CRIMP APPLICATOR with TOOL KIT 18/20 GAGE PAYOFF DIRECTION D (left payoff) (contact Molex for payoff detail)	N/A	N/A	N/A	N/A	AVAILABLE
43	MOLEX	63865-8070	XX019828	02JN03	MX64 APPLICATOR TOOL KIT 18/20 GAGE	N/A	N/A	N/A	N/A	AVAILABLE
44	MOLEX	63865-8100	XX019829	02JN03	MX64 CRIMP APPLICATOR with TOOL KIT 22 GAGE PAYOFF DIRECTION D (left payoff) (contact Molex for payoff detail)	N/A	N/A	N/A	N/A	AVAILABLE
45	MOLEX	63865-8170	XX019830	02JN03	MX64 APPLICATOR TOOL KIT 22 GAGE	N/A	N/A	N/A	N/A	AVAILABLE
46	SPX	J35616-64	T.B.D.	02JN03	0.64mm PROBE TOOL (for rcpt)	N/A	N/A	N/A	N/A	AVAILABLE
47	SPX	J35616-64A	T.B.D.	02JN03	0.64mm PROBE TOOL WITH EXT (for rcpt)	N/A	N/A	N/A	N/A	AVAILABLE
48	SPX	J35616-65	T.B.D.	02JN03	0.64mm PROBE TOOL WITH EXT (for pin)	N/A	N/A	N/A	N/A	AVAILABLE
49	SPX	J35616-4A	T.B.D.	02JN03	2.8mm PROBE TOOL (for rcpt)	N/A	N/A	N/A	N/A	AVAILABLE
50	YAZAKI	X39899-J374	12094430	02JN03	2.8mm TERM SERVICE TOOL	N/A	N/A	N/A	N/A	AVAILABLE

002B

* - MX123 DRESS COVER 73/80/66 CKT MATES TO ANY MX123 HARN CONN ASSY SHOWN ON TABLE ABOVE



PAGE TITLE
COMPONENT TABLE

DRAWING NUMBER
12642695

DWG STATUS			PAGE NUMBER
ST	REV	PD1	
R	002		

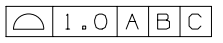
5 OF 21

NOTES: UNLESS OTHERWISE SPECIFIED

1. MATERIAL FOR INTERFACE:

- A. RESIN:
 - 1. 30% G.F. PBT; 20% MAX. (BY WEIGHT) REGRIND.
 - 2. MATING CONNECTOR INTERFACE PART COLOR MUST BE SAME AS MATCHING KEYED HARNESS CONNECTOR ASSEMBLY.
 - 3. MUST BE VALIDATED FOR INDIVIDUAL DEVICE APPLICATION REQUIREMENTS.
- B. 0.64MM PINS:
 - 1. BASE MATERIAL: COPPER ALLOY; CONDUCTIVITY >= 28% IACS AT 20°C; TENSILE STRENGTH >= 635 N/mm²; SURFACE ROUGHNESS R_a 6 MAX.
 - 2. PLATING FINISH: SILVER (Ag). PLATING TO BE 1.9-3.3 μm ELECTRODEPOSITED SEMI-BRIGHT SILVER OVER 1.25-2.25 μm DUCTILE SULPHAMATE NICKEL PER NOTE 1(D).
 - 3. ANTI-TARNISH: SYNTHETIC HYDROCARBON CONTACT SURFACE FINISH OR EQUIVALENT APPLIED WITHOUT VOID TO CONTACT AREA (MIN 3.7mm FROM PIN TIP).
- C. 2.8MM BLADE:
 - 1. BASE MATERIAL: COPPER ALLOY; CONDUCTIVITY >= 28% IACS AT 20°C; TENSILE STRENGTH >= 350 N/mm²; SURFACE ROUGHNESS R_a 6 MAX.
 - 2. PLATING FINISH: TIN. PLATING TO BE 2.5-5.0 μm ELECTRODEPOSITED TIN, MATTE FINISH OVER 1.25-2.5 μm DUCTILE SULPHAMATE NICKEL PER NOTE 1(D).
- D. PLATING REQUIREMENTS:
 - 1. SILVER PLATING
 - a. 99.5% PURE SEMI-BRIGHT WITH NO ORGANIC BRIGHTNERS OR CHROMATES.
 - 2. NICKEL PLATING
 - a. ELECTRODEPOSITED DUCTILE SULFAMATE NICKEL WITH A NON-BRIGHTENED FINISH. NO ORGANIC OR BRIGHTENING AGENTS SHALL BE ALLOWED.
 - b. SHALL ONLY BE USED AS AN UNDERLYING PLATING AND MAY NOT BE USED AS AN ELECTRICAL CONTACT SURFACE PLATING.
 - c. SHALL BE NODULE FREE WHEN VIEWED AT 10X MAGNIFICATION IN MEASURED IN CONTACT SURFACE AREA PLUS 0.5MM PERIMETER AROUND THE CONTACT SURFACE AREA.
 - d. ALL PLATINGS SHALL HAVE A 1.0% MAXIMUM BY WEIGHT IMPURITIES. IMPURITIES ARE DEFINED AS ALL ELEMENTS NOT THE PRIMARY PLATING OR HARDENING AGENT IF APPLICABLE, AS DETERMINED BY WET CHEMICAL ANALYSIS OR AUGER METHOD. NO SINGLE IMPURITY SHALL EXCEED 0.1% MAXIMUM BY WEIGHT.
 - 3. TESTING
 - a. THICKNESS TO BE MEASURED IN CONTACT SURFACE AREA PLUS 0.5MM PERIMETER AROUND THE CONTACT SURFACE AREA AS DESIGNATED IN THE DRAWING. THICKNESS SHALL BE DETERMINED BY METHOD OF X-RAY (XRF).
 - b. PLATING ADHESION SHALL BE TESTED BY A BEND TEST FOR ALL METALS. THE TEST SAMPLE SHALL BE BENT 90 DEGREES TO DETERMINE DEPOSIT ADHESION. TESTING SHALL BE COMPLETED IN ACCORDANCE WITH ASTM SPEC B571.


2. DESIGN - GENERAL:

- A. THIS IS A 100% CAD GENERATED PART. THE CAD MATHEMATICAL DATA IS THE MASTER FOR THIS PART. FOR DIMENSIONAL OR ANY INFORMATION NOT SHOWN ON THIS DRAWING, ANALYZE THE CAD MODEL.
- B. TOLERANCES:
 - 1. LINEAR
 - 0.X ± 0.30
 - 0.XX ± 0.10
 - 0.XXX ± 0.10
 - 2. ANGULAR X° ± 3°
 - 3. 
- C. MINIMUM WALL THICKNESS REQUIRED: 1.3mm.
- D. CORNERS SHOWN AS SHARP TO BE R 0.2 MAX.
- E. LETTERING SHALL BE 0.15 MAX RAISED IN 0.20 MAX RECESS PAD. THIS INCLUDES MATERIAL CODE, RECYCLING CODE, CAVITY ID AND DATE CODE.
- F-1. PARTS MUST BE FREE OF DISCOLORATION, SALT RESIDUE AND OTHER IMPERFECTIONS THAT AFFECT FIT OR FUNCTION.
- F-2. SCRATCHES OR DENTS NOT TO EXCEED 0.013mm IN DEPTH.
- G. FOLLOWING PRODUCTION CODES TO BE PERMANENTLY MARKED & HUMAN READABLE TO A LETTER HEIGHT OF 1.5 ± 0.5MM X 0.3 MAX DEEP
 - 1. MATERIAL #: XXXXX-XXXX
 - 2. DATE CODE: JJYY (JULIAN DAY, LAST DIGIT OF YEAR)
 - 3. INSPECTION MACHINE CODE + SERIAL #: X_XXXXX

3. DESIGN - MANUFACTURING:

- A. DRAFT TO BE WITHIN TOLERANCE.
- B. ALLOWABLE FLASH MAX 0.2 HIGH X MAX 0.13 THICK.
- C. ALLOWABLE PARTING LINE MISMATCH 0.2 MAX.
- D. EJECTOR PINS MARK TO BE FLUSH TO 0.25 MAX DEPRESSED.
- E. ALLOWABLE GATE VESTIGE FLUSH TO 0.25 MAX PROTRUSION.
- F. NO EXTERNAL MOLD RELEASE AGENT ALLOWED DURING MANUFACTURING.
- G. STEEL THAT FORMS THE INDICATED SURFACE MUST BE POLISHED WITH A DIAMOND FINISH (SPI A-2) OVER THE FULL PERIPHERY OF THE TOOL. SURFACE MUST HAVE NO MISMATCH.
- H. ANY PROCESS LUBRICANT REMAINING ON THE TERMINAL MUST NOT VARNISH OR DEGRADE IT'S ELECTRICAL PERFORMANCE UP TO A MAXIMUM CLASS AMBIENT TEMPERATURE PER SAE USCAR-2 FOR 1008 HOURS. PROCESS LUBRICANTS SHOULD BE APPROVED BY THE RESPONSIBLE ENGINEER.
- J. OPTIONAL FEATURES PROVIDED FOR AUTOMATION.
- K. PART MUST BE FREE FROM BURRS AND SHARP EDGES, WHICH MIGHT BE DETRIMENTAL TO SATISFACTORY ASSEMBLY, SAFE HANDLING OR FUNCTION OF PART.
- L. PARTS AS DELIVERED TO ASSEMBLY SHALL BE CLEAN AND FREE OF DEBRIS, RESIDUAL ABRASIVE MATERIAL AND CORROSION PRODUCTS ADVERESLY AFFECTING FUNCTION OR APPEARANCE.
- M. RESTRICTED AND REPORTABLE SUBSTANCES FOR PARTS PER GMW3059.

002C

	PAGE TITLE	DRAWING NUMBER	DWG STATUS			PAGE NUMBER	
	NOTES		12642695	ST	REV	PDI	6 OF 21
				R	002		

NOTES: UNLESS OTHERWISE SPECIFIED

4. SYSTEM REQUIREMENTS:

- A. HARNESS CONNECTOR IS COMPATIBLE WITH THE FOLLOWING SAE WIRE SIZE NO'S:
 - 14, MEETING SAE J1128
 - 18, MEETING SAE J1128, MAX O.D. OF 2.06 MM
 - 20, MEETING SAE J1128
 - 22, MEETING SAE J1128, MIN O.D. OF 1.47 MM
- B. CABLE TIE SPECIFICATIONS:
 - 1. CABLE TIE:
 - TENSILE RATING: 220N / (50lbs) MIN
 - TIE LENGTH: 186mm MIN
 - TIE WIDTH: 4.75mm MAX
 - MATERIAL: NYLON
 - 2. INSTALLATION:
 - CABLE TIE TENSION: 190N MIN
 - 3. DRESSED WIRE BUNDLE PACKAGING: SEE FIG. 1
- C. WHEN MATED WITH COMPONENT CONNECTOR INTERFACE AND/OR DRESS COVER, HARNESS CONNECTOR SYSTEM CONFORMS TO THE FOLLOWING:
 - 1. SAE/USCAR-2, REV: 3 APRIL, 2001; CLASS 3
 - 2. FIELD CORRELATED LIFE TEST, SAE/USCAR-20, NOV. 2001
 - 3. GMW #3191 AUGUST 22, 2000 (DRAFT); TEMPERATURE CLASS 3, SEALING CLASS 1, VIBRATION CLASS 2
 - 4. RESTRICTED AND REPORTABLE CHEMICALS PER GMW #3059, REV: D AUGUST 2002
 - 5. TPA USER FORCES (FULLY POPULATED WITH TERMINALS)
 - a. REMOVAL FROM LOCK TO PRE-SET: <=120N
- D. WIRE SPECIFICATIONS:
 - 1. WIRE SURFACE MUST BE FREE OF SCRATCHES, GROOVES OR DENTS WHERE FUNCTIONAL

5. TERMINAL CURRENT RATINGS:

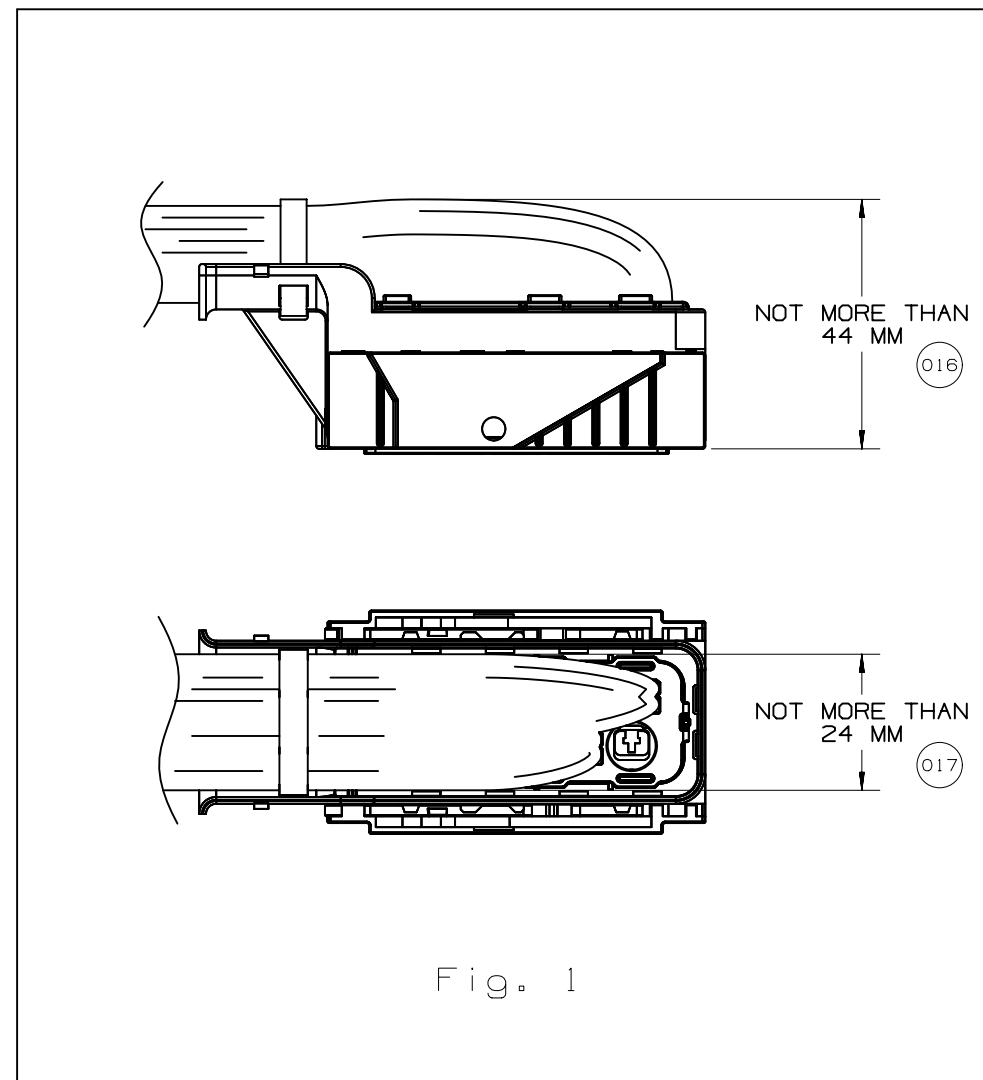
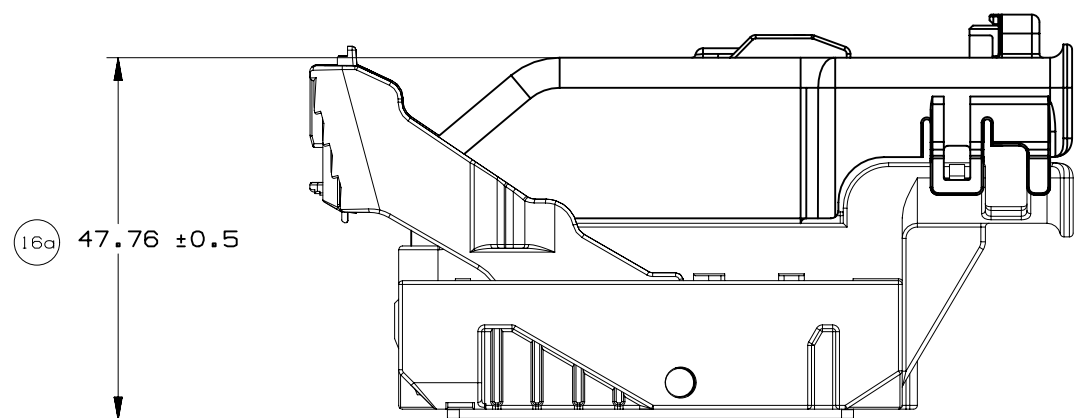
ALL TESTING DONE IN ACCORDANCE WITH USCAR-2 REV5 SECTION 5.3

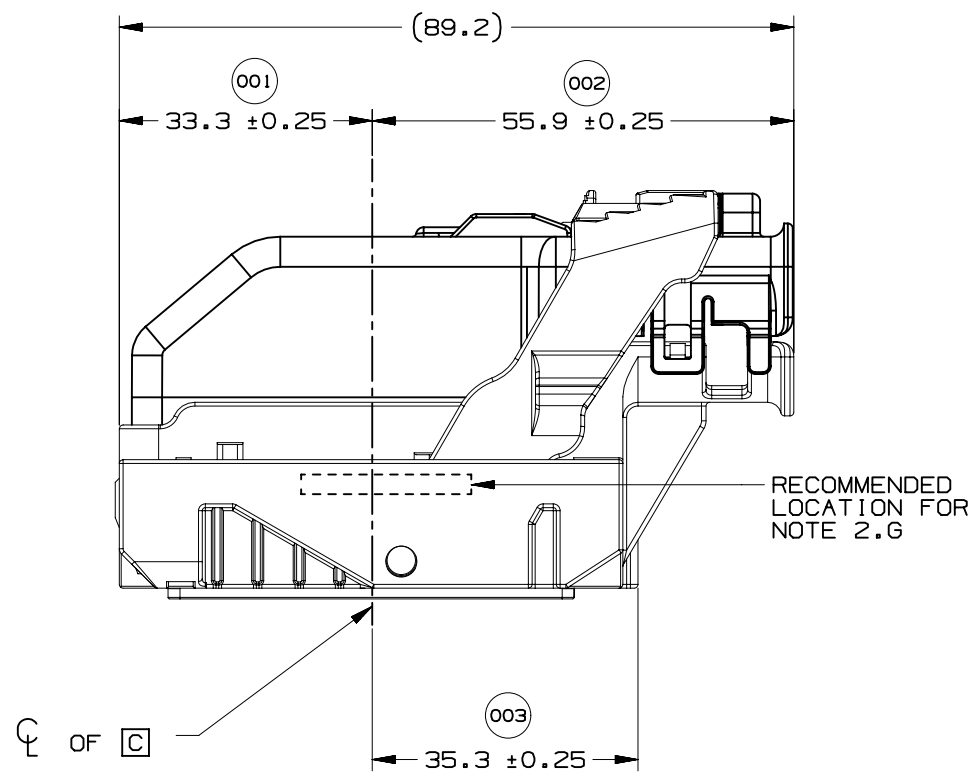
- A. MX64 RCPT TERM
 - 1. MX64 RCPT TERM Ag 18/20 GAGE CRIMPED TO SAE WIRE SIZE NO.18 AND MATED TO MX123 0.64MM PIN: 11.3 AMPS
 - 2. MX64 RCPT TERM Ag 22 GAGE CRIMPED TO SAE WIRE SIZE NO.22 AND MATED TO MX123 0.64MM PIN:8.5 AMPS

WIRE	CURRENT RATING			
	23°C	85°C	105°C	125°C
18AWG	11.3A	11.3A	9.5A	6.6A
20AWG	10.0A	10.0A	8.3A	5.7A
22AWG	8.6A	8.6A	7.1A	5.0A

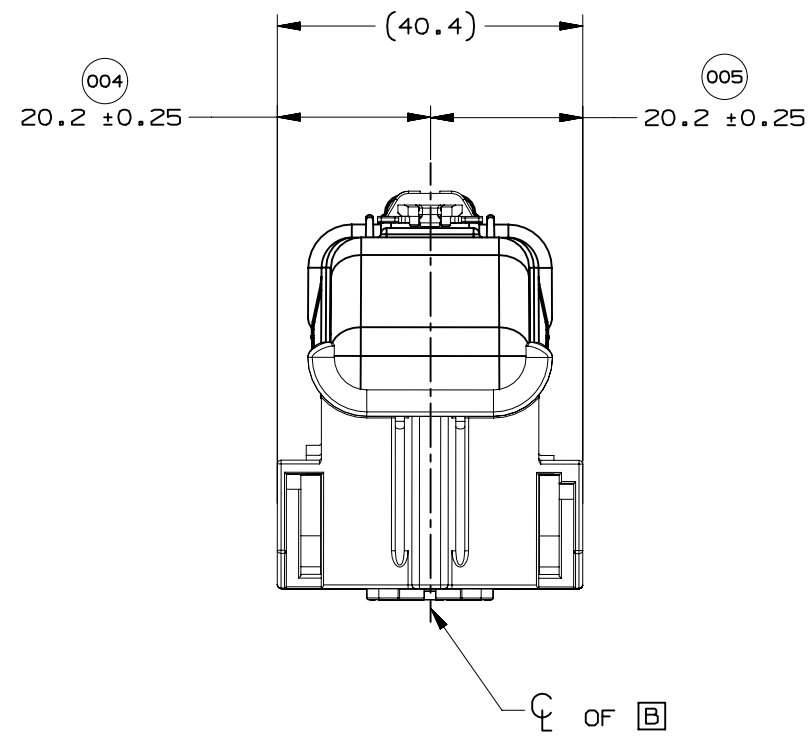
- B. 2.8MM RCPT TERM
 - 1. 2.8MM RCPT TERM TIN 14 GAGE CRIMPED TO SAE WIRE SIZE NO.14 AND MATED TO MX123 2.8MM BLADE: 25.6 AMPS

6. CONTACT MOLEX AUTOMOTIVE FOR AVAILABLE CUSTOM PATTERNS OF CAVITIES OPEN FOR CIRCUITS

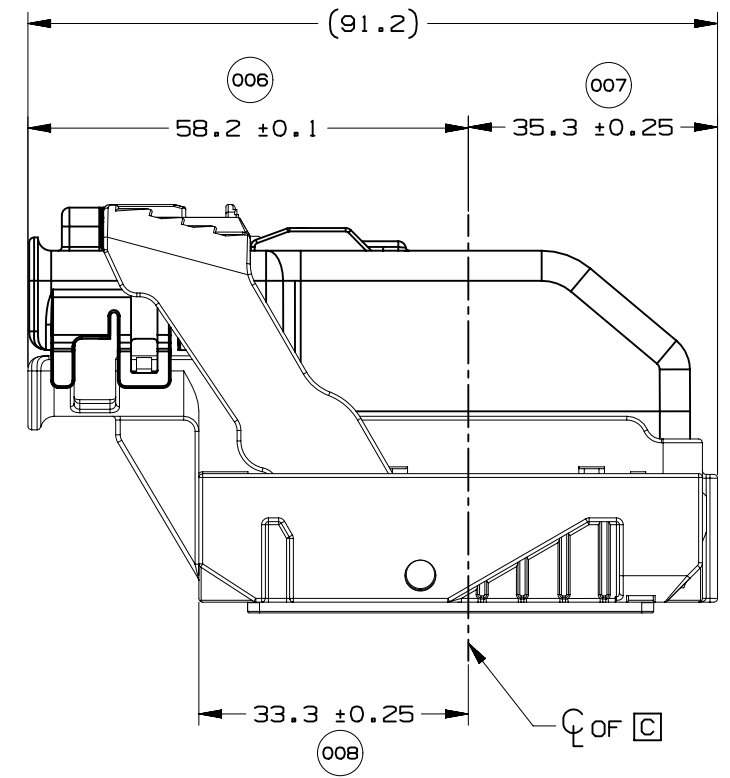




WIRE DRESS OPTION 0 SHOWN

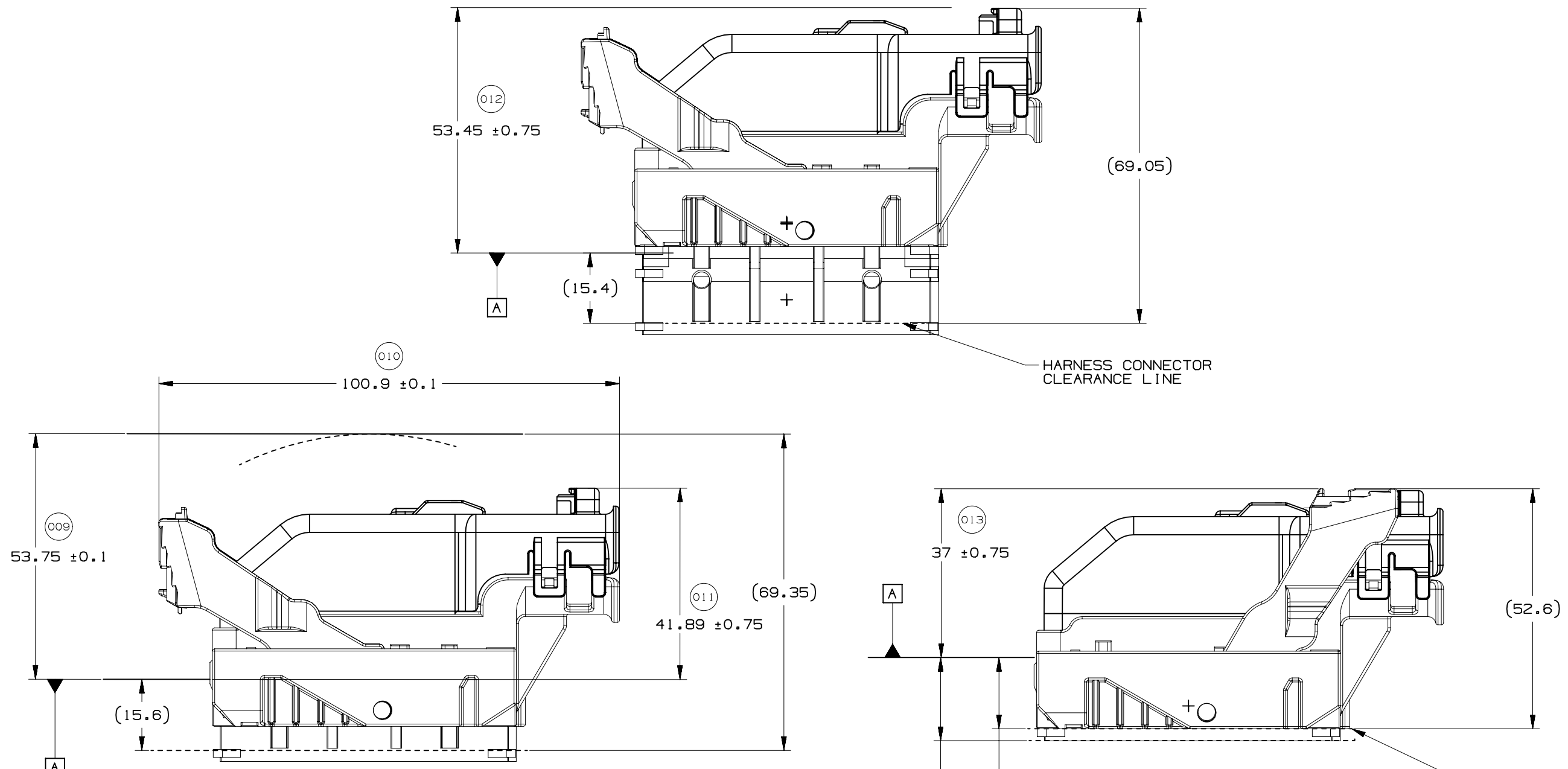


WIRE DRESS OPTION 0 SHOWN



WIRE DRESS OPTION 9 SHOWN





HARNESS CONNECTOR CLEARANCE LINE

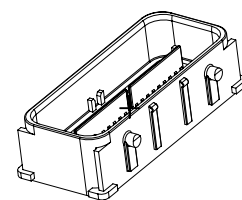
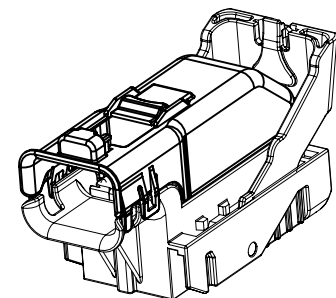
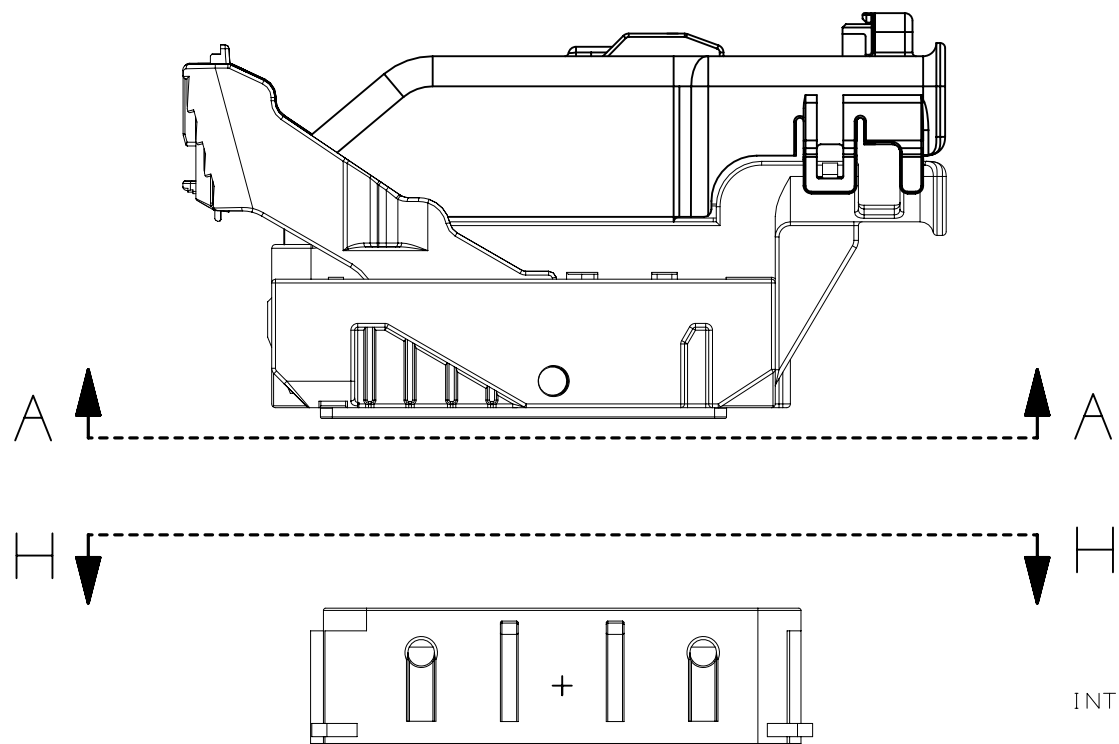
HARNESS CONNECTOR ASSEMBLY IN FULLY-MATED POSITION

HARNESS CONNECTOR CLEARANCE LINE

15.6 MIN. ALL AROUND CLEARANCE REQUIRED FOR HARNESS CONNECTOR (014)

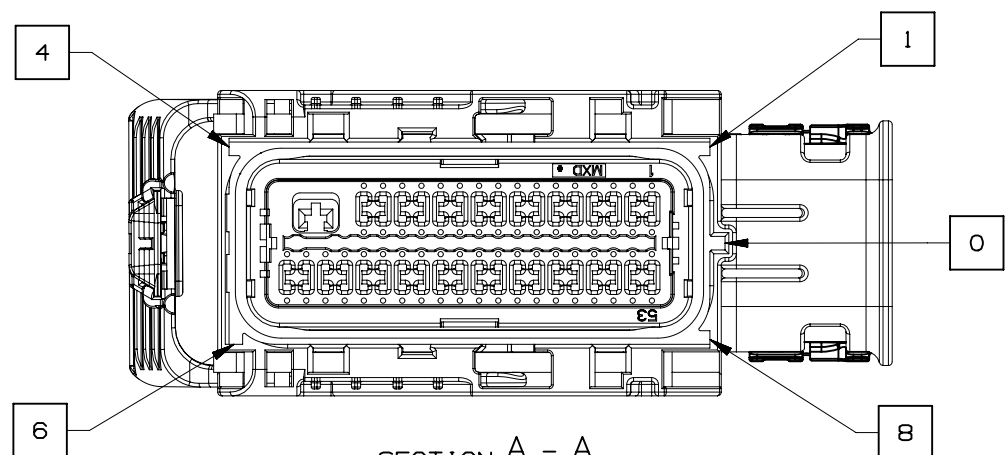
17.9 MIN. AT PAD LOCATION CLEARANCE REQUIRED FOR HARNESS CONNECTOR CONSTRUCTION BELOW THIS PLANE IS NOT CONTROLLED (015)

	PAGE TITLE LOCATION AND PACKAGING DIMENSIONS REFERENCING INTERFACE DATUM A	DRAWING NUMBER 12642695			DWG STATUS ST REV PDI R 002			PAGE NUMBER 10 OF 21	

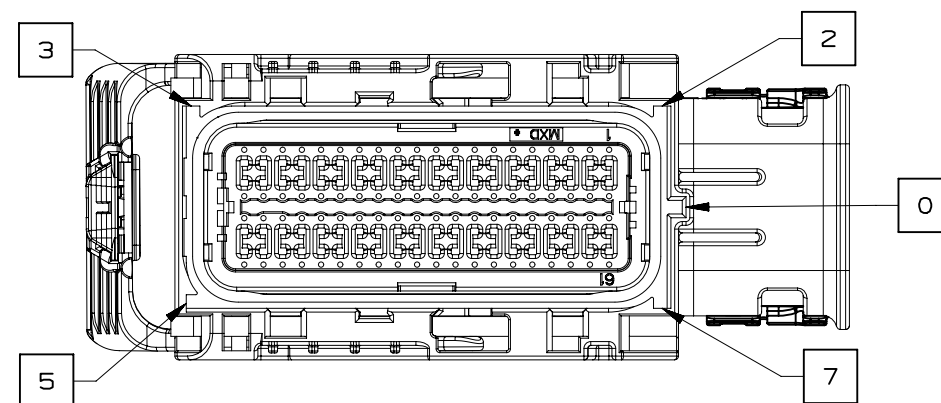


NOTE: REFERENCE THE COMPONENT TABLE FOR KEY OPTIONS AND CONFIGURATIONS

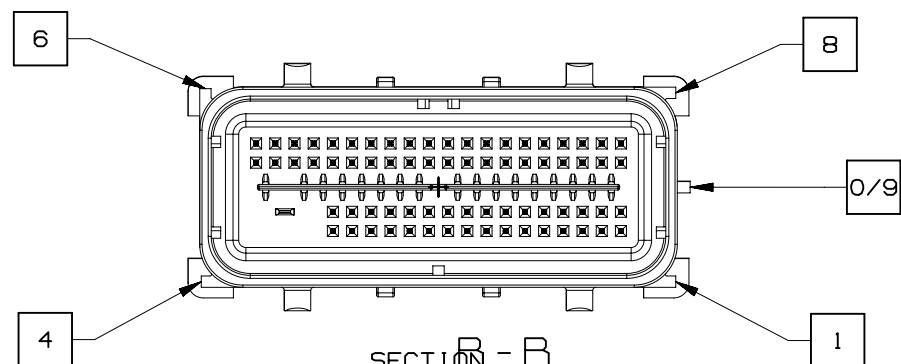
INTERFACE SIDE SHOWN ON ALL SECTION VIEWS



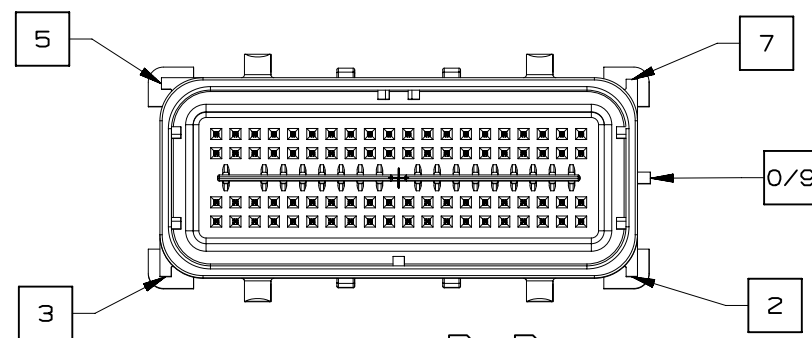
SECTION A - A
KEY OPTION B SHOWN



SECTION A - A
KEY OPTION K SHOWN



SECTION B - B
KEY OPTION B SHOWN



SECTION B - B
KEY OPTION K SHOWN

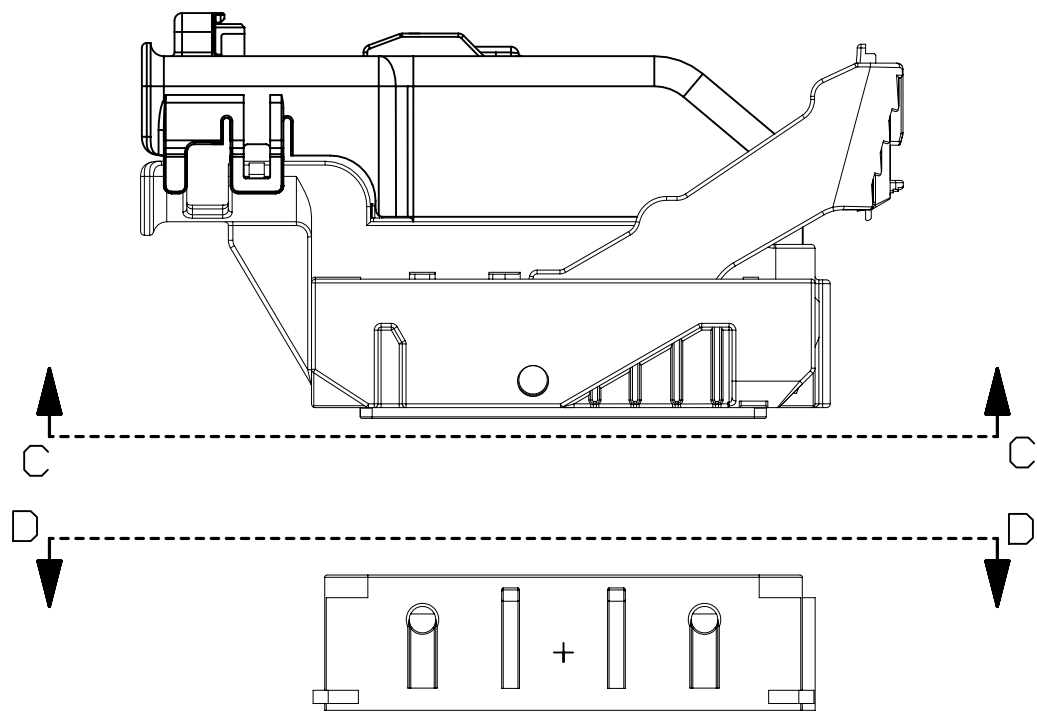


PAGE TITLE
KEY ID REF - WIRE DRESS OPTION 0

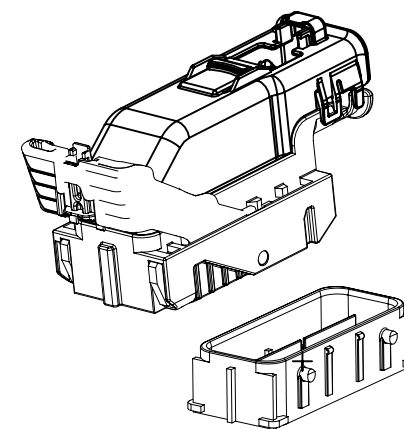
DRAWING NUMBER
12642695

DWG STATUS		
ST	REV	PD1
R	002	

PAGE NUMBER
11 OF 21

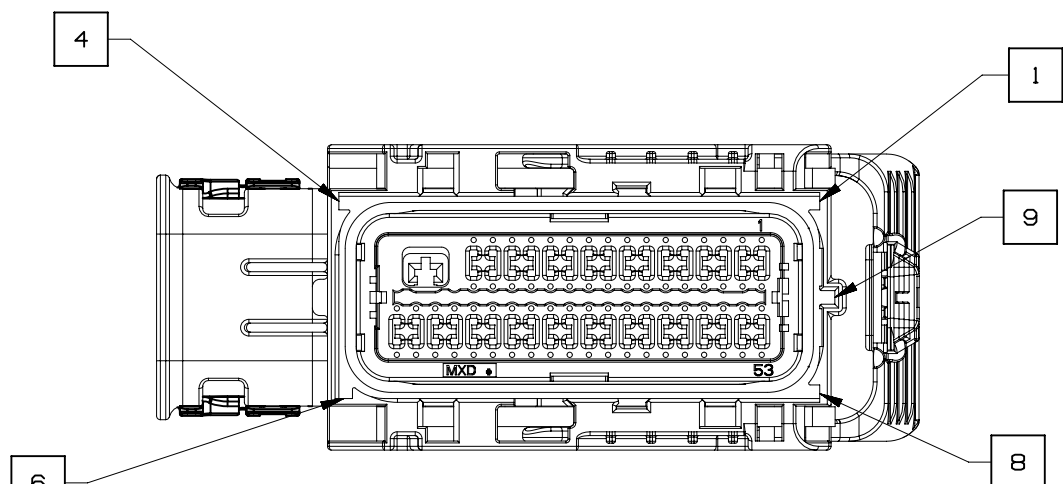


INTERFACE SIDE SHOWN ON ALL SECTION VIEWS

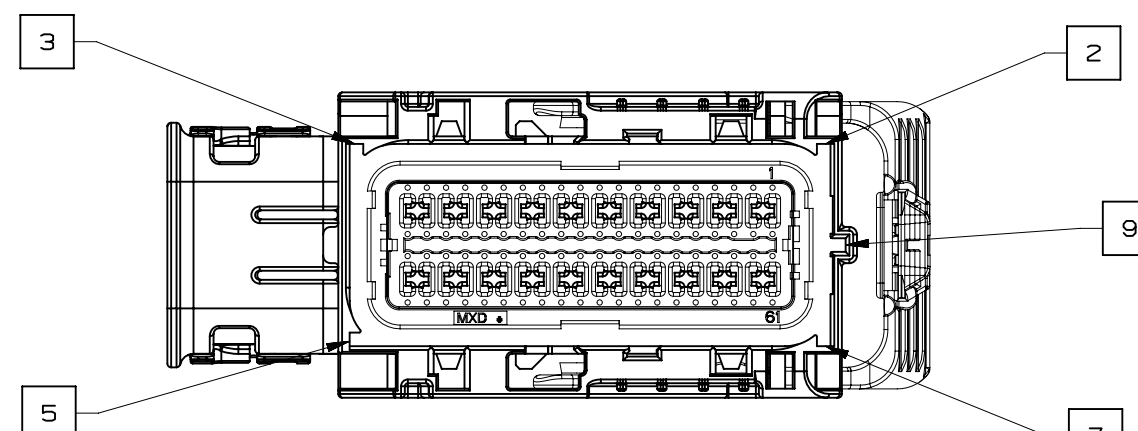


NOTE: REFERENCE THE COMPONENT TABLE FOR KEY OPTIONS AND CONFIGURATIONS

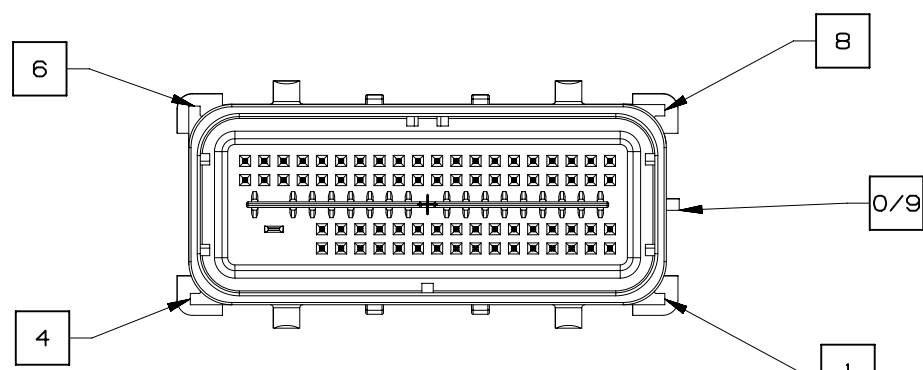
VIEW V



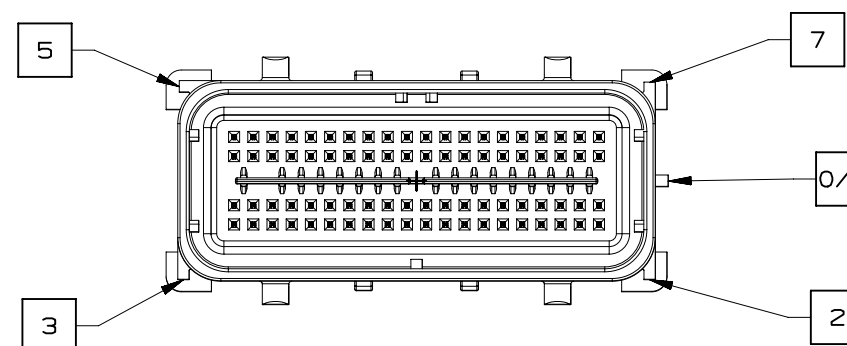
SECTION C-C
KEY OPTION B SHOWN



SECTION C-C
KEY OPTION K SHOWN



SECTION D-D
KEY OPTION B SHOWN



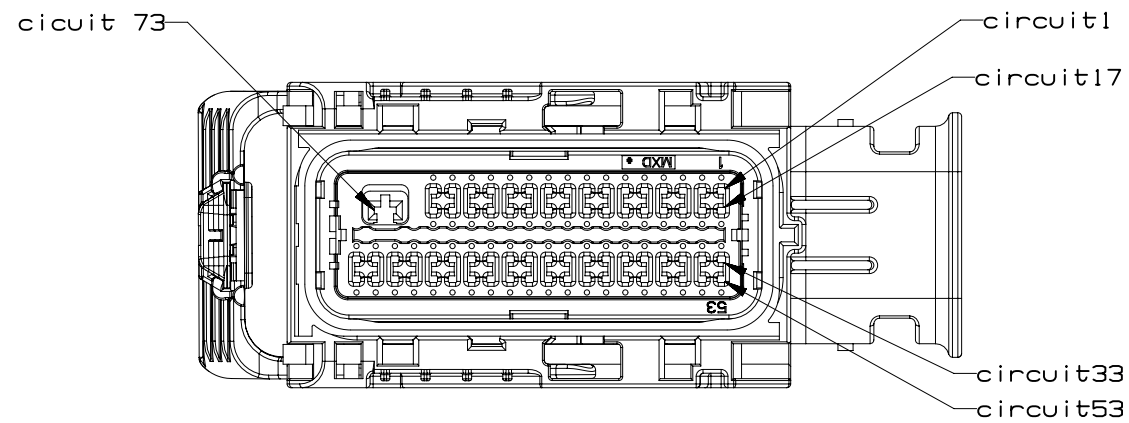
SECTION D-D
KEY OPTION K SHOWN



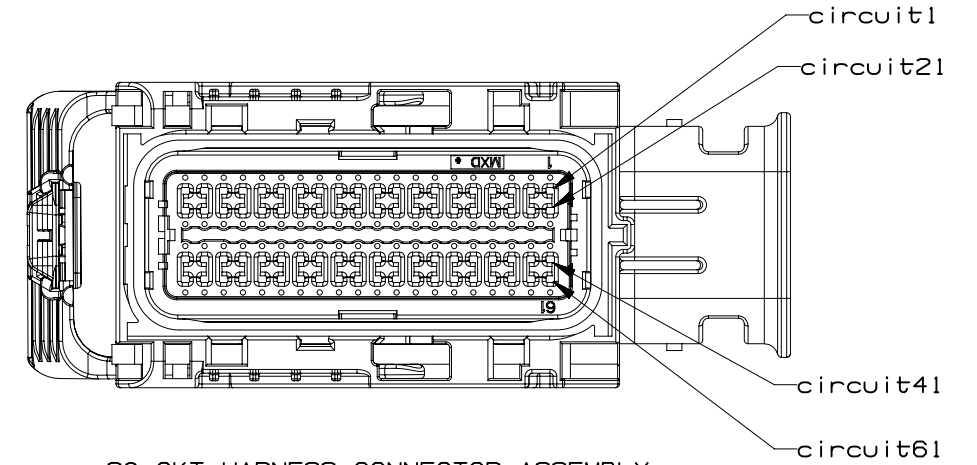
PAGE TITLE
KEY ID REF - WIRE DRESS OPTION 9

DRAWING NUMBER
12642695

DWG STATUS			PAGE NUMBER
ST	REV	PD1	
R	002		12 OF 21

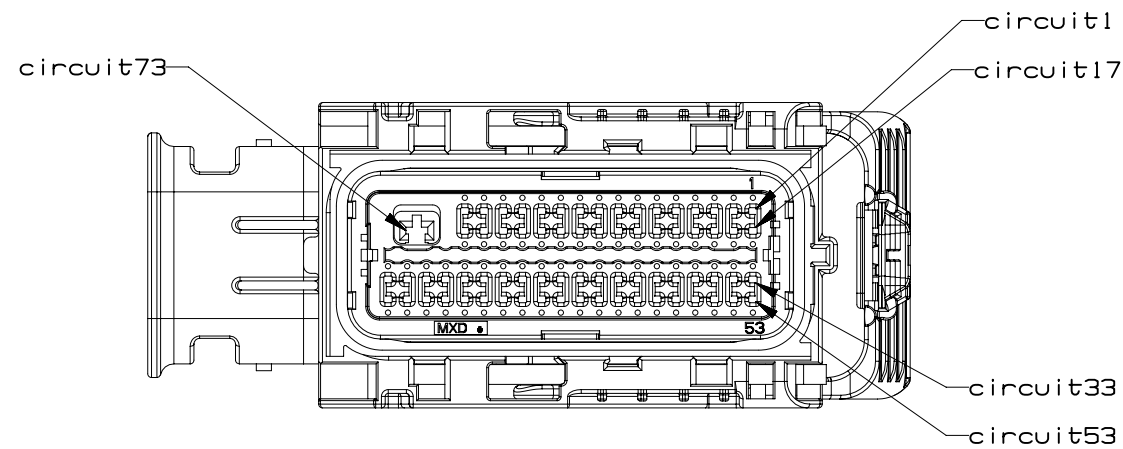


73 CKT HARNESS CONNECTOR ASSEMBLY
WIRE DRESS OPTION 0

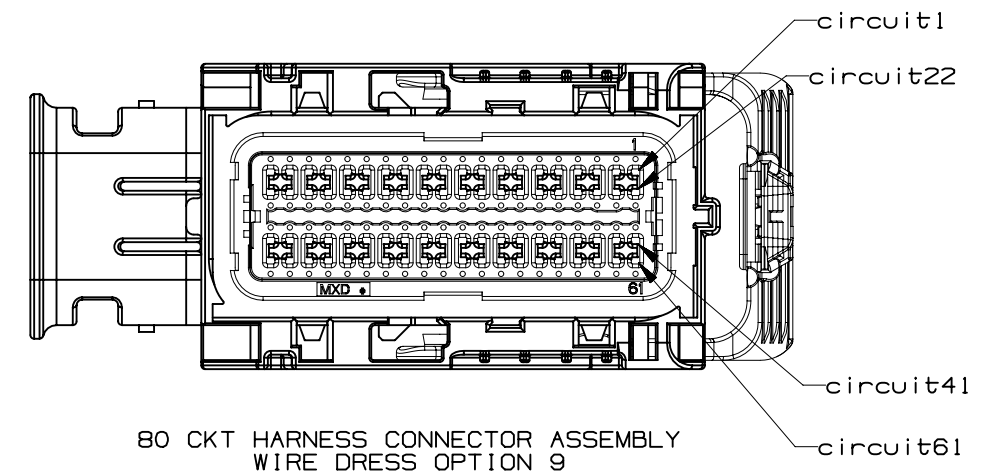


80 CKT HARNESS CONNECTOR ASSEMBLY
WIRE DRESS OPTION 0

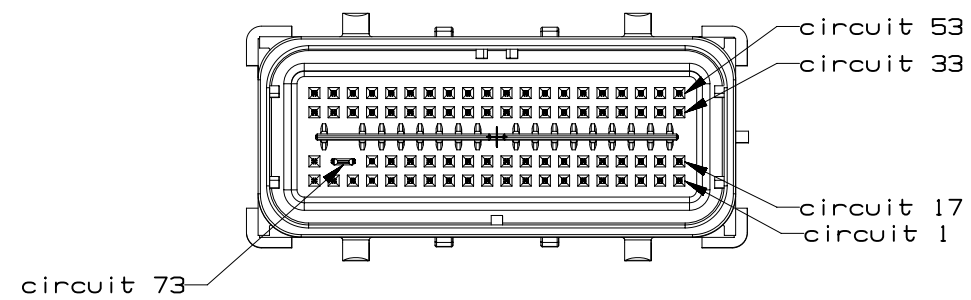
INTERFACE SIDE SHOWN ON ALL VIEWS



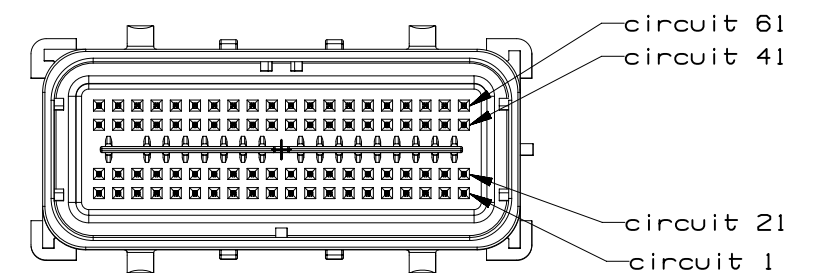
73 CKT HARNESS CONNECTOR ASSEMBLY
WIRE DRESS OPTION 9



80 CKT HARNESS CONNECTOR ASSEMBLY
WIRE DRESS OPTION 9

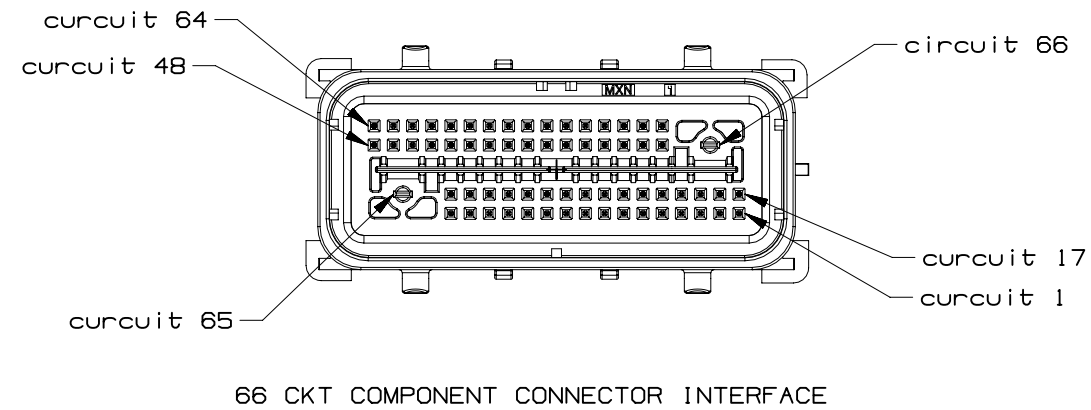
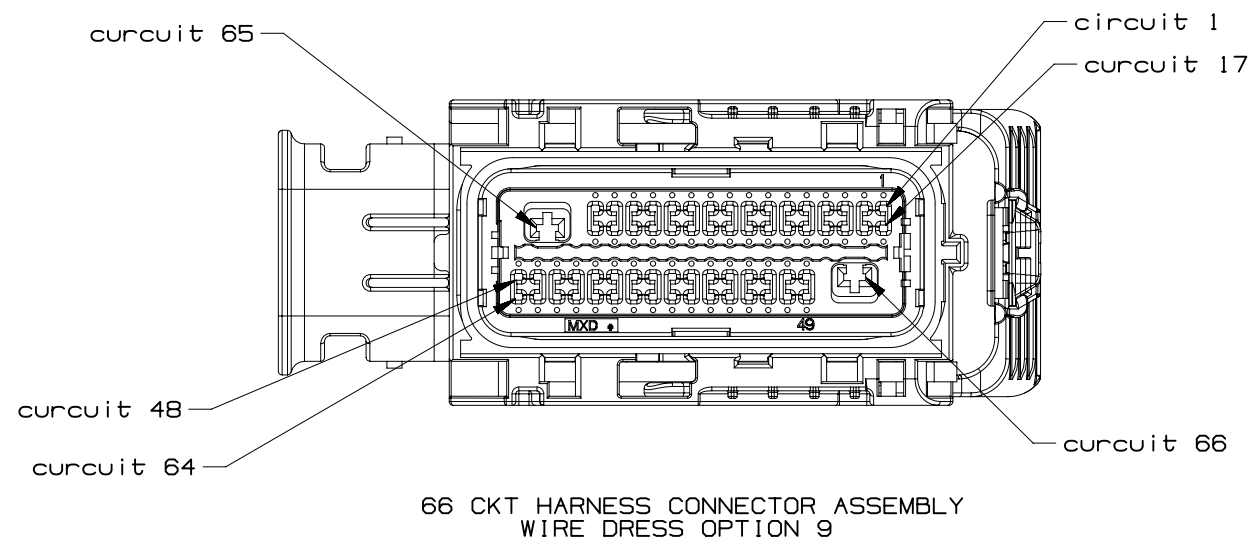
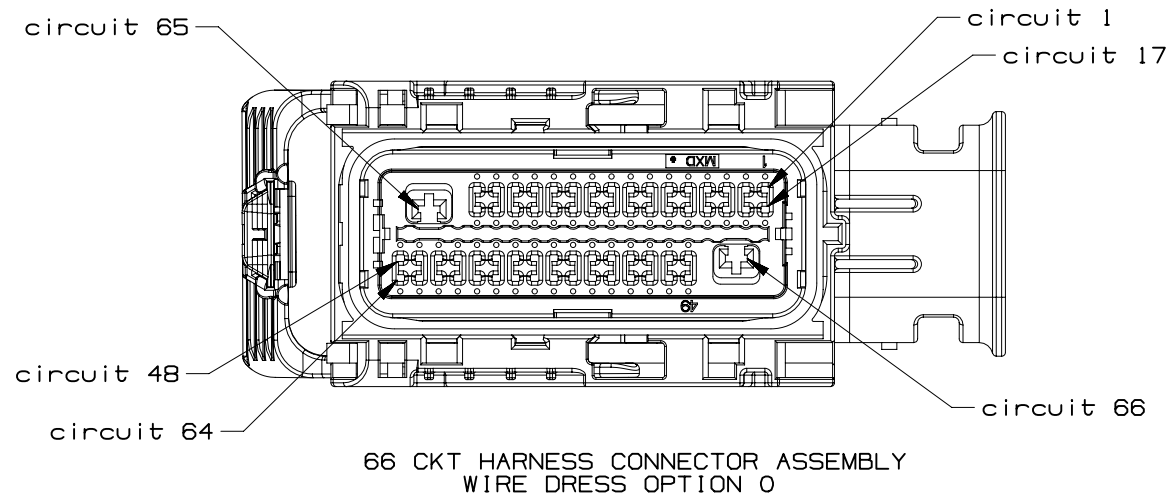


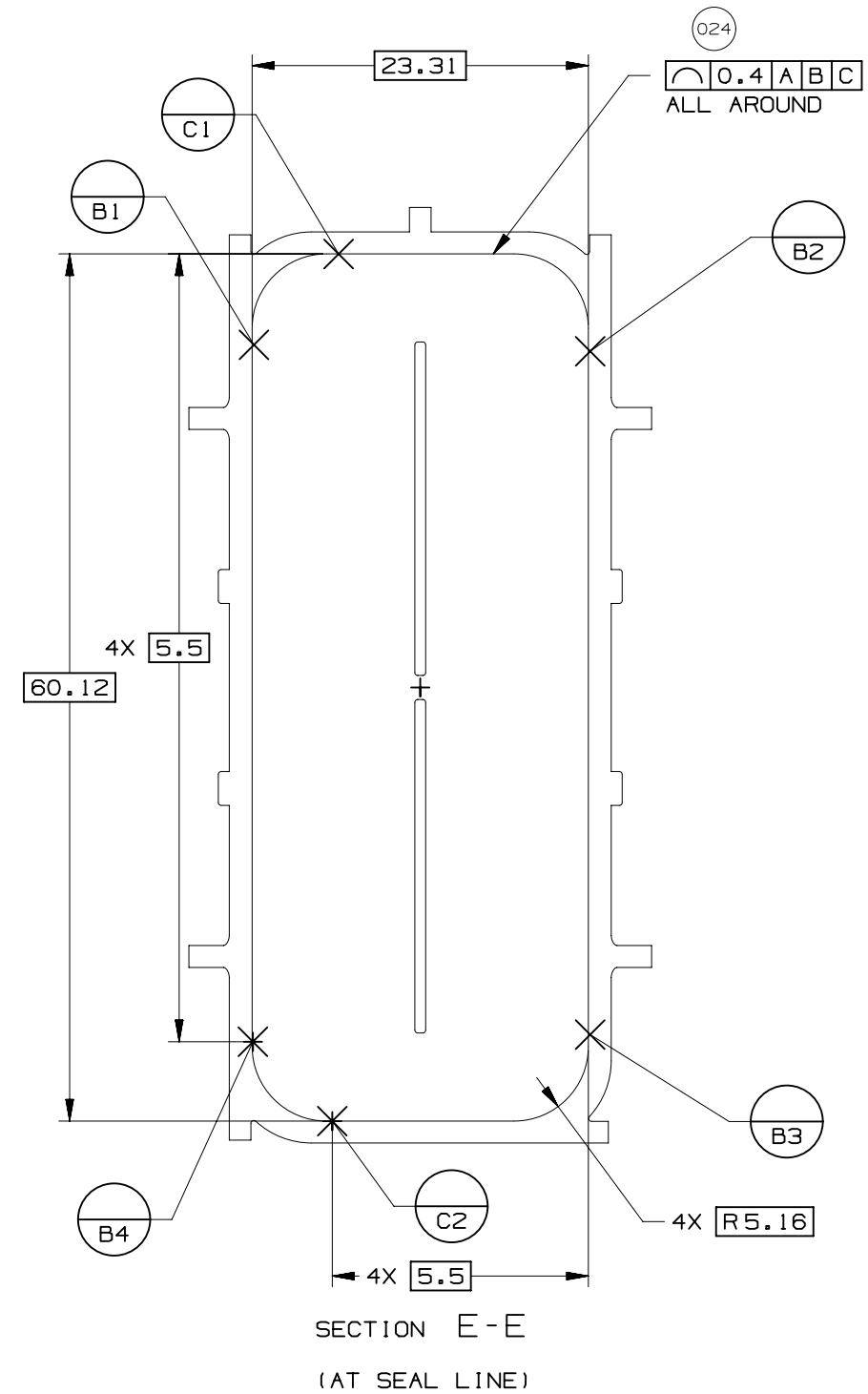
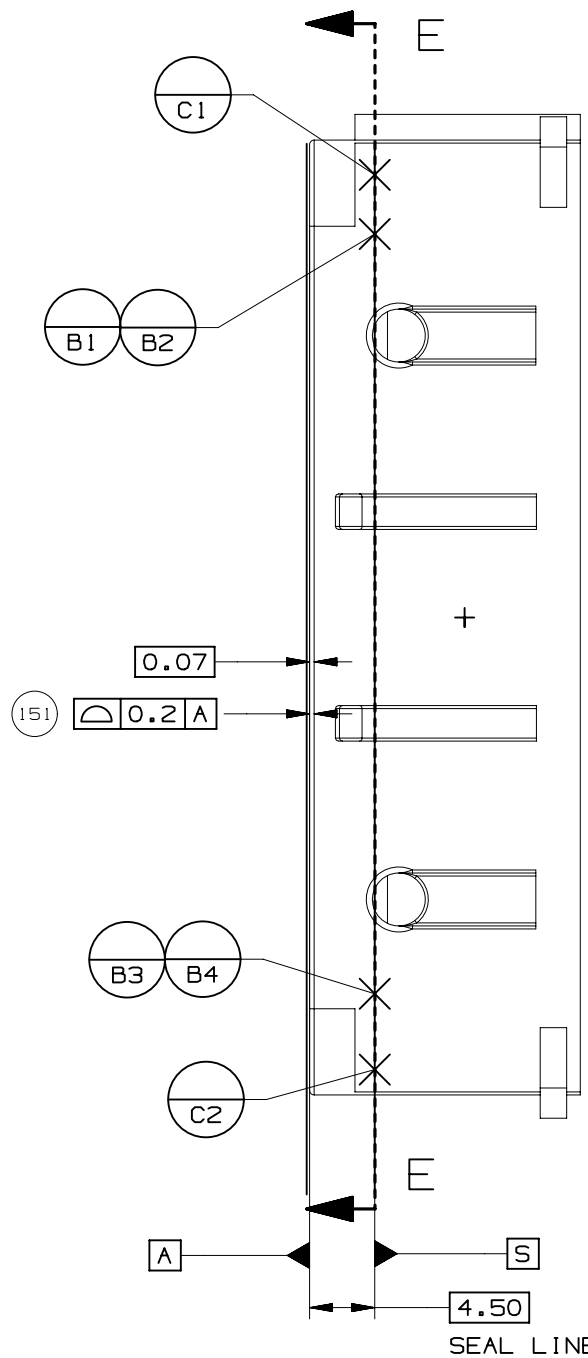
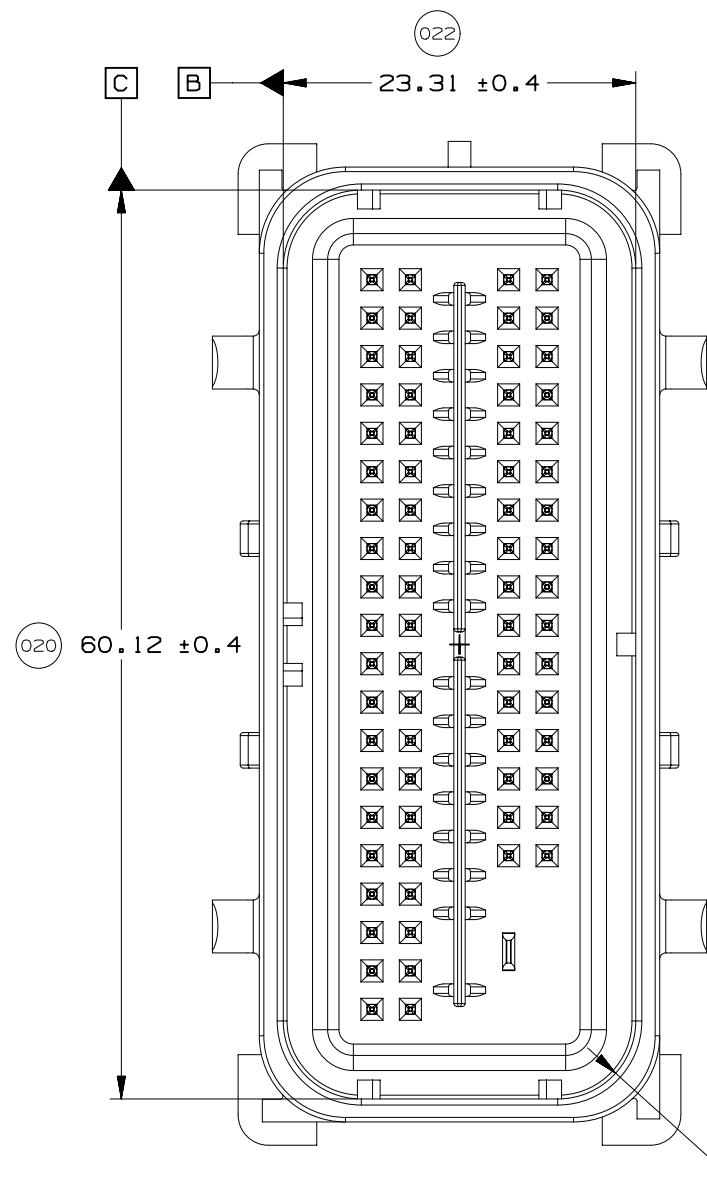
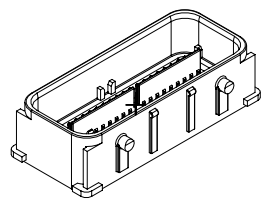
73 CKT COMPONENT CONNECTOR INTERFACE



80 CKT COMPONENT CONNECTOR INTERFACE







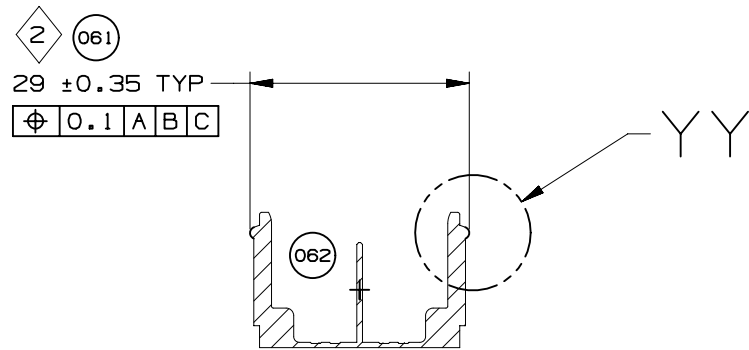
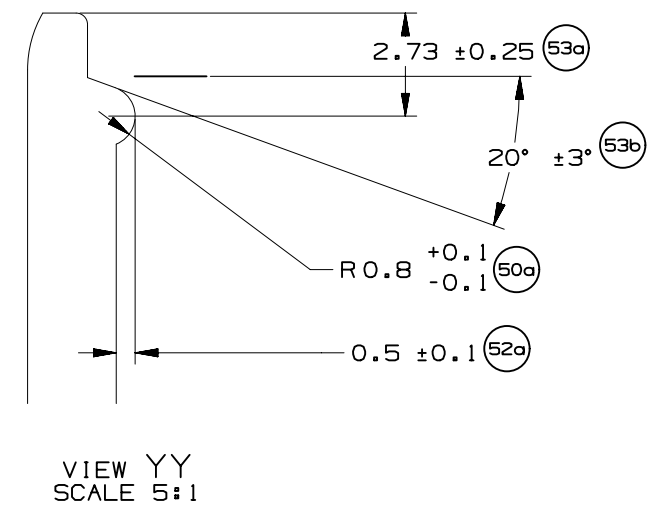
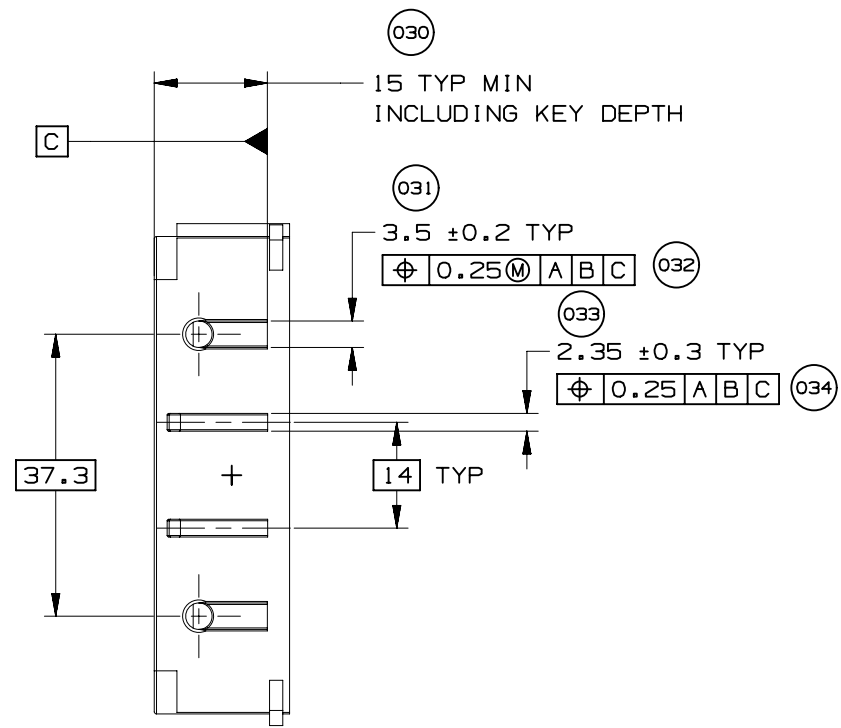
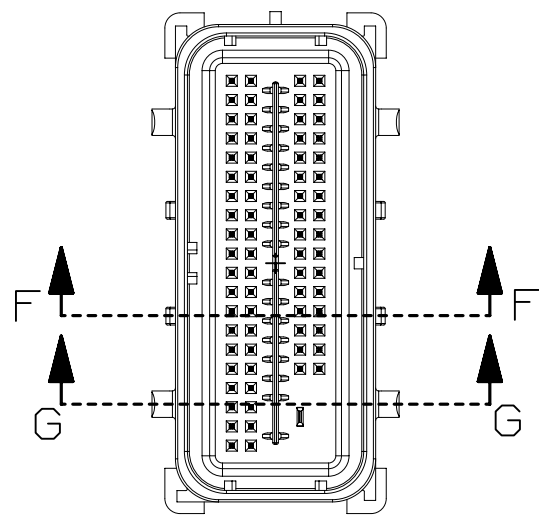
UNLESS SPECIFIED, TOLERANCE OF THE COMPONENT CONNECTOR INTERFACE TO BE $\sqrt[0.13]{A B C}$



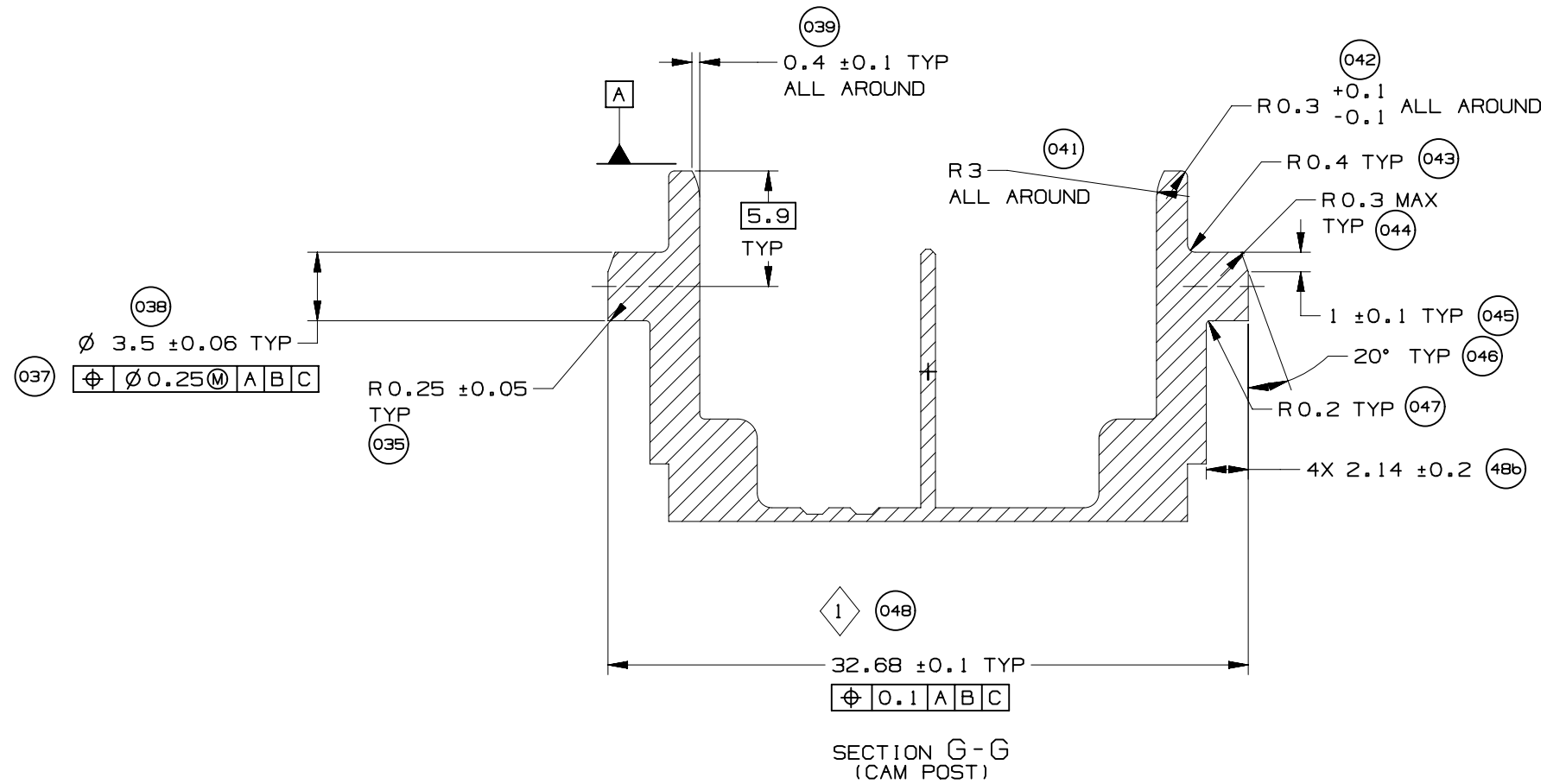
PAGE TITLE
COMPONENT CONNECTOR INTERFACE

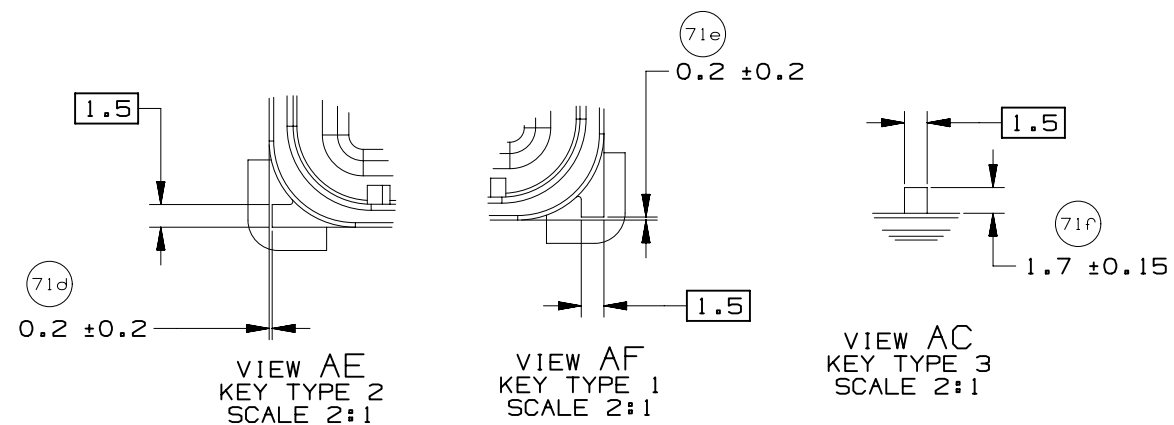
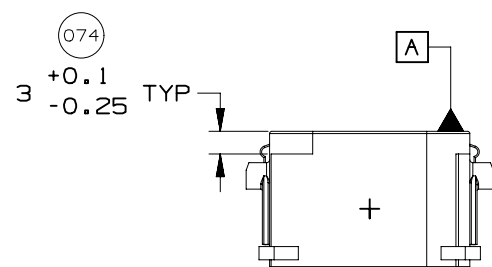
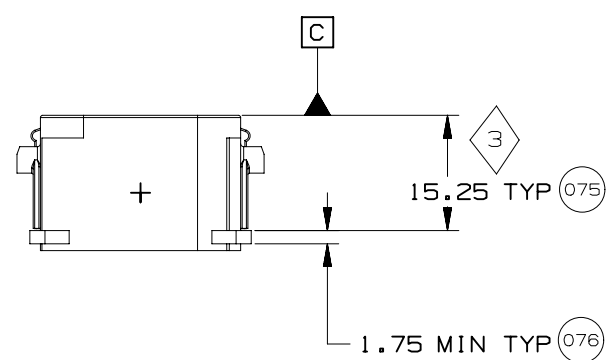
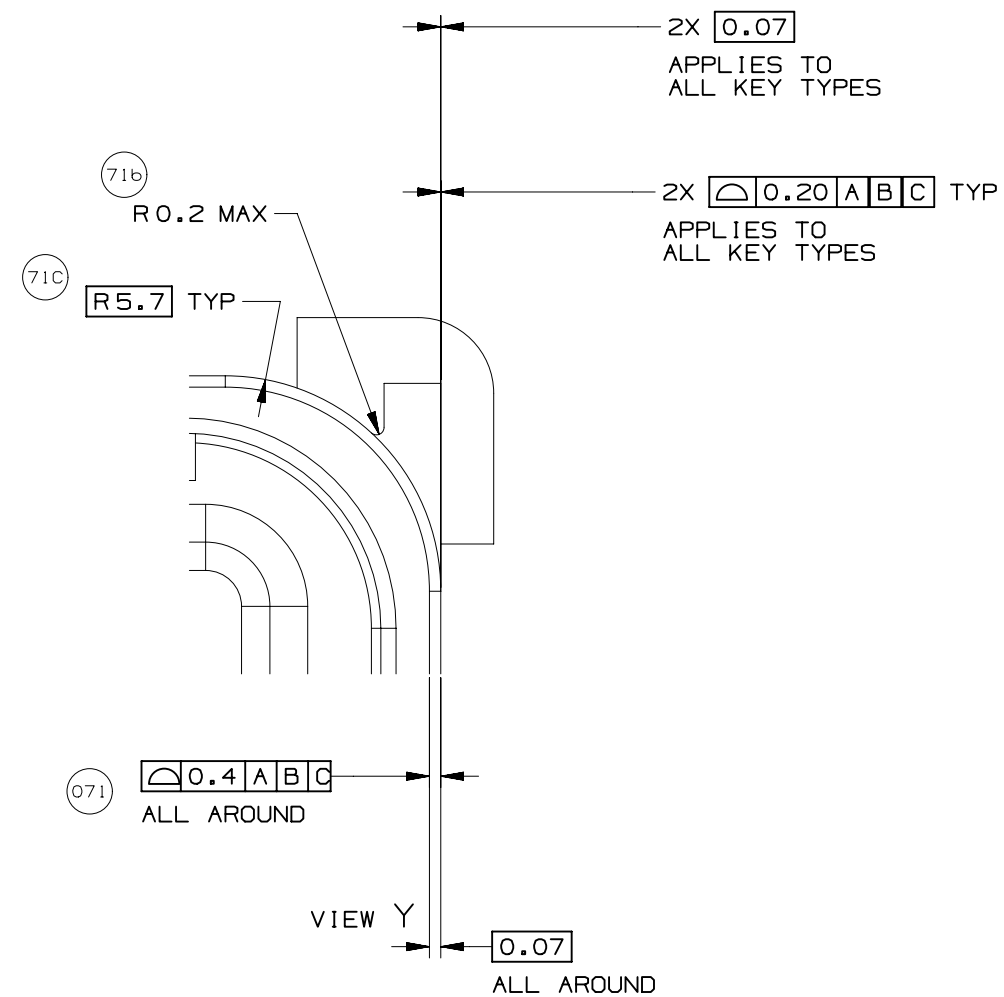
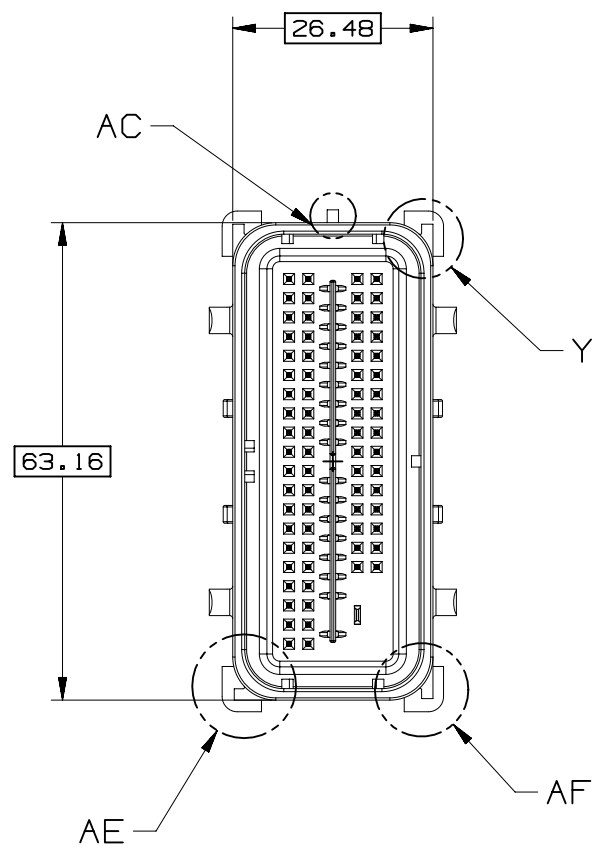
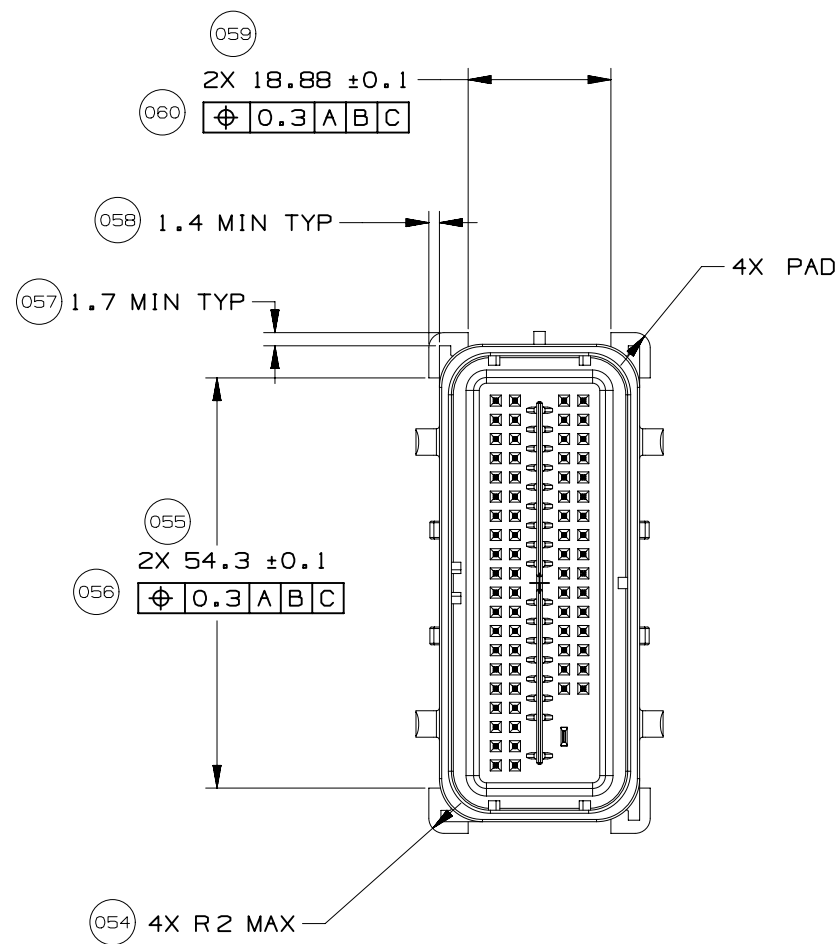
DRAWING NUMBER
12642695

DWG STATUS			PAGE NUMBER
ST	REV	PD1	
R	002		15 OF 21



SECTION F-F

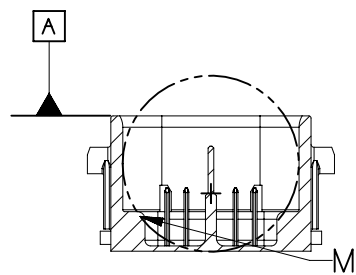
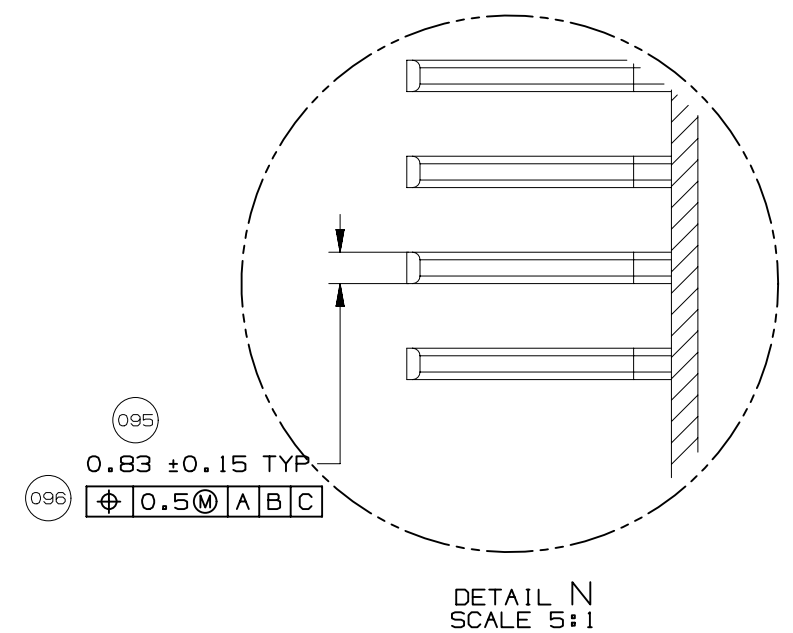
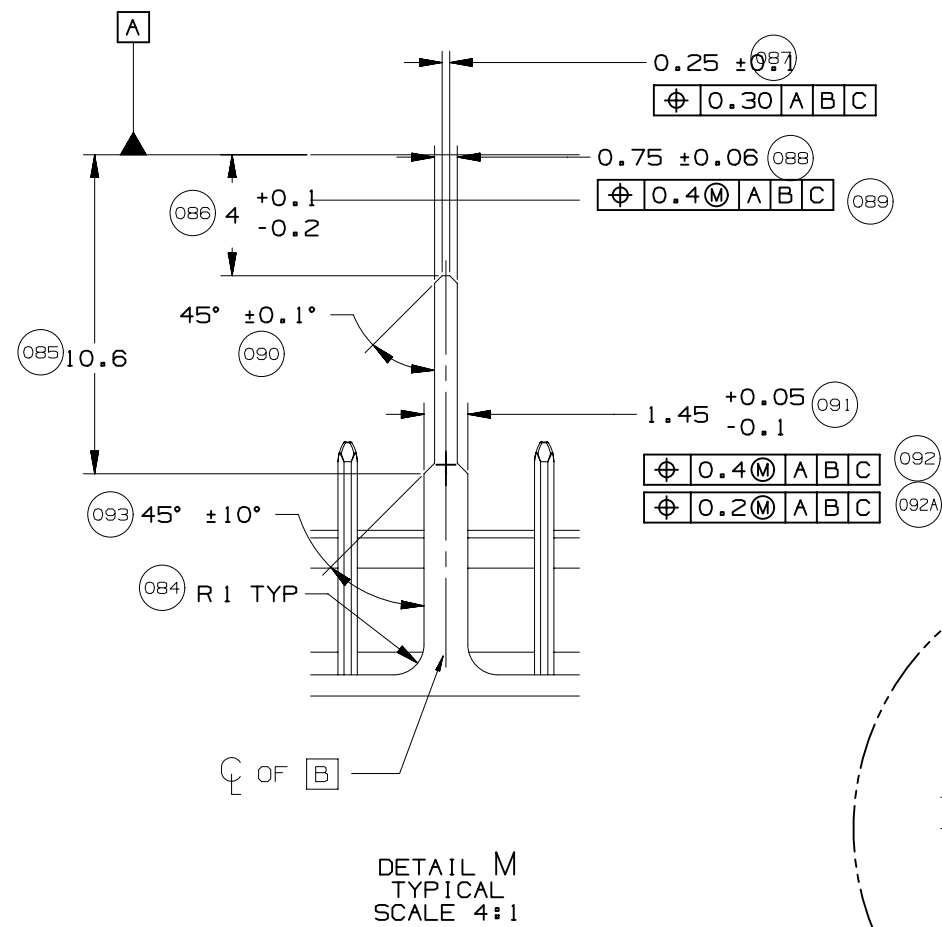
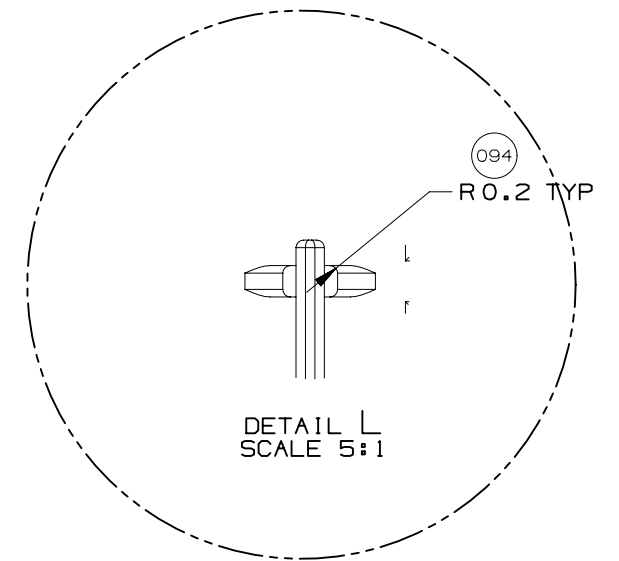
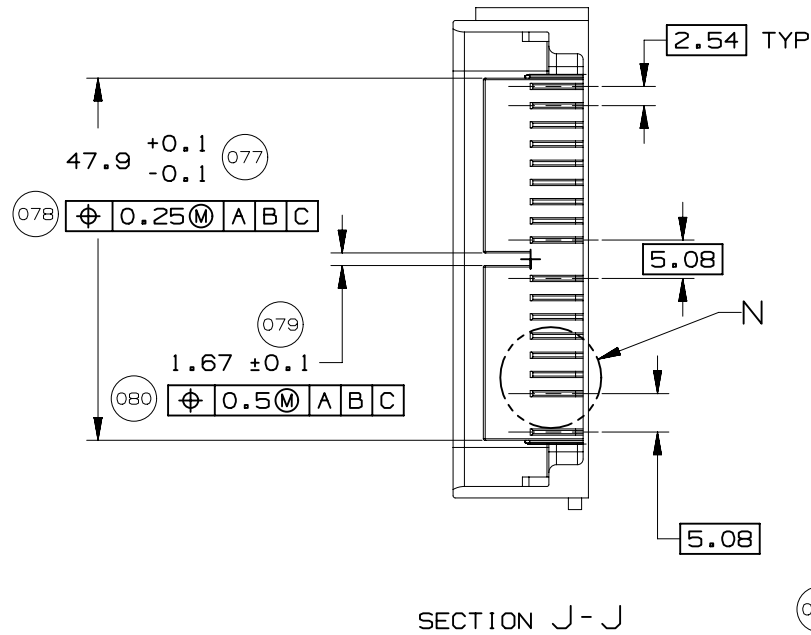
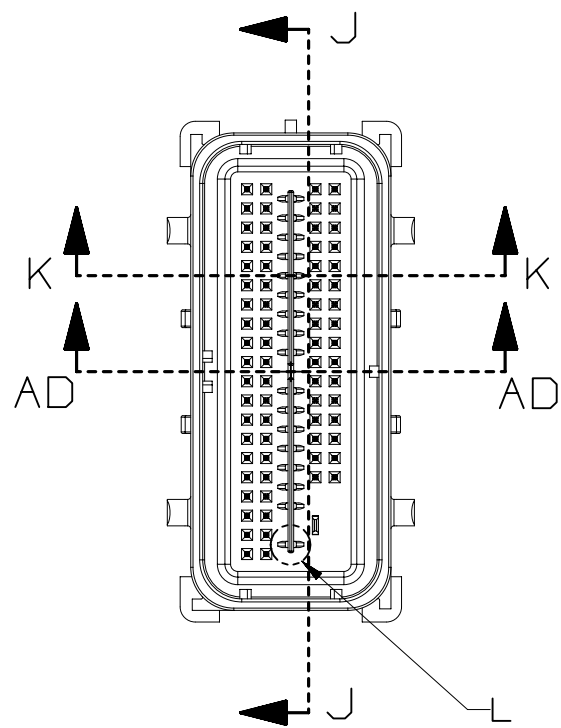




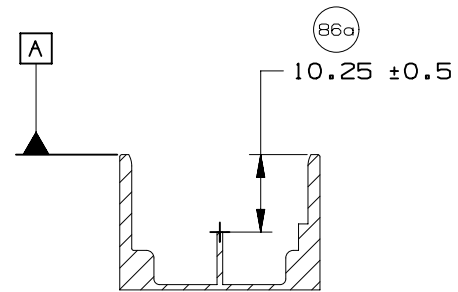
PAGE TITLE
 COMPONENT CONNECTOR INTERFACE

DRAWING NUMBER
 12642695

DWG STATUS			PAGE NUMBER
ST	REV	PD1	
R	002		17 OF 21

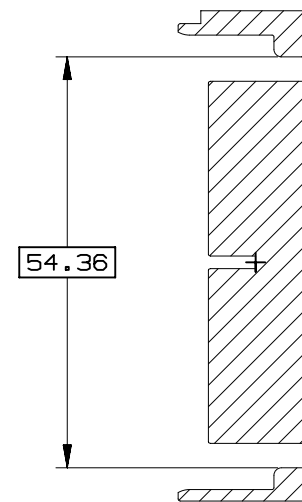
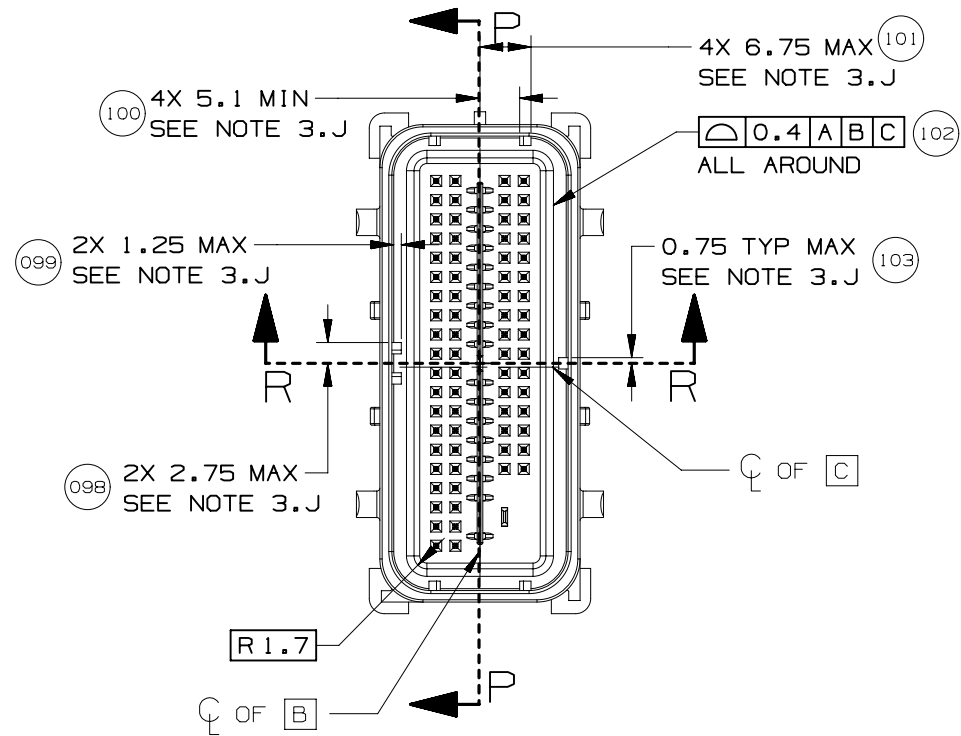


SECTION K-K

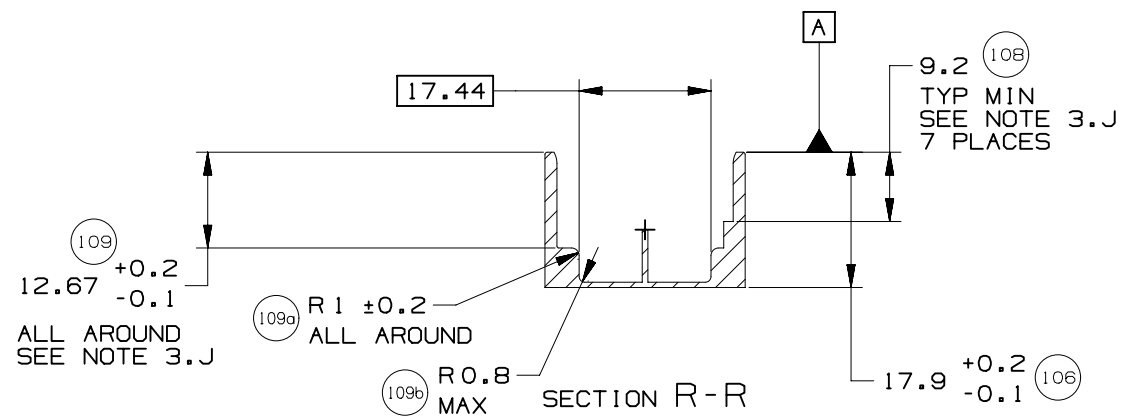


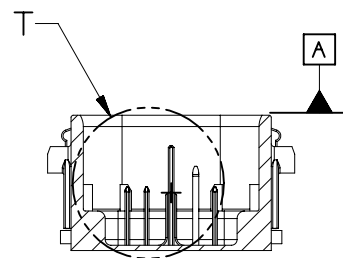
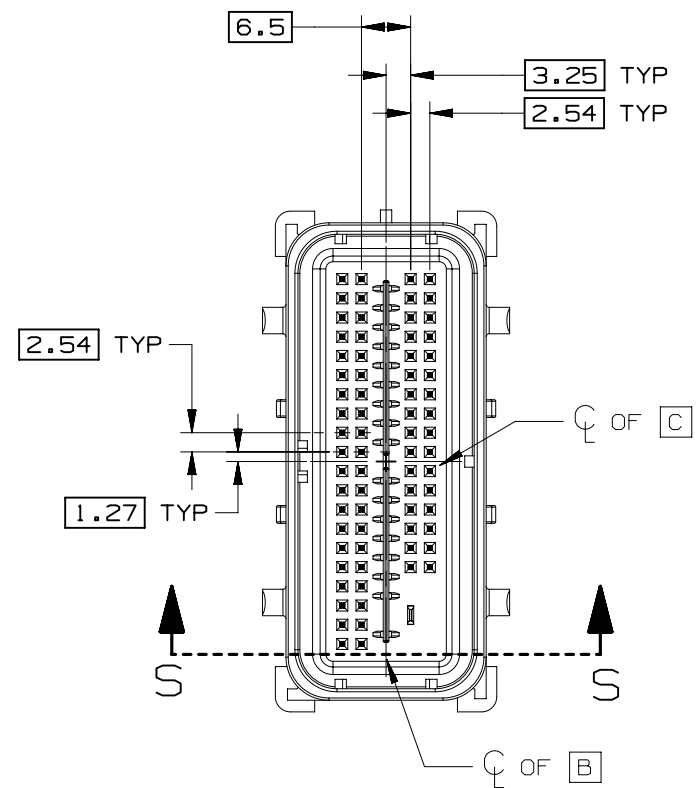
SECTION AD-AD



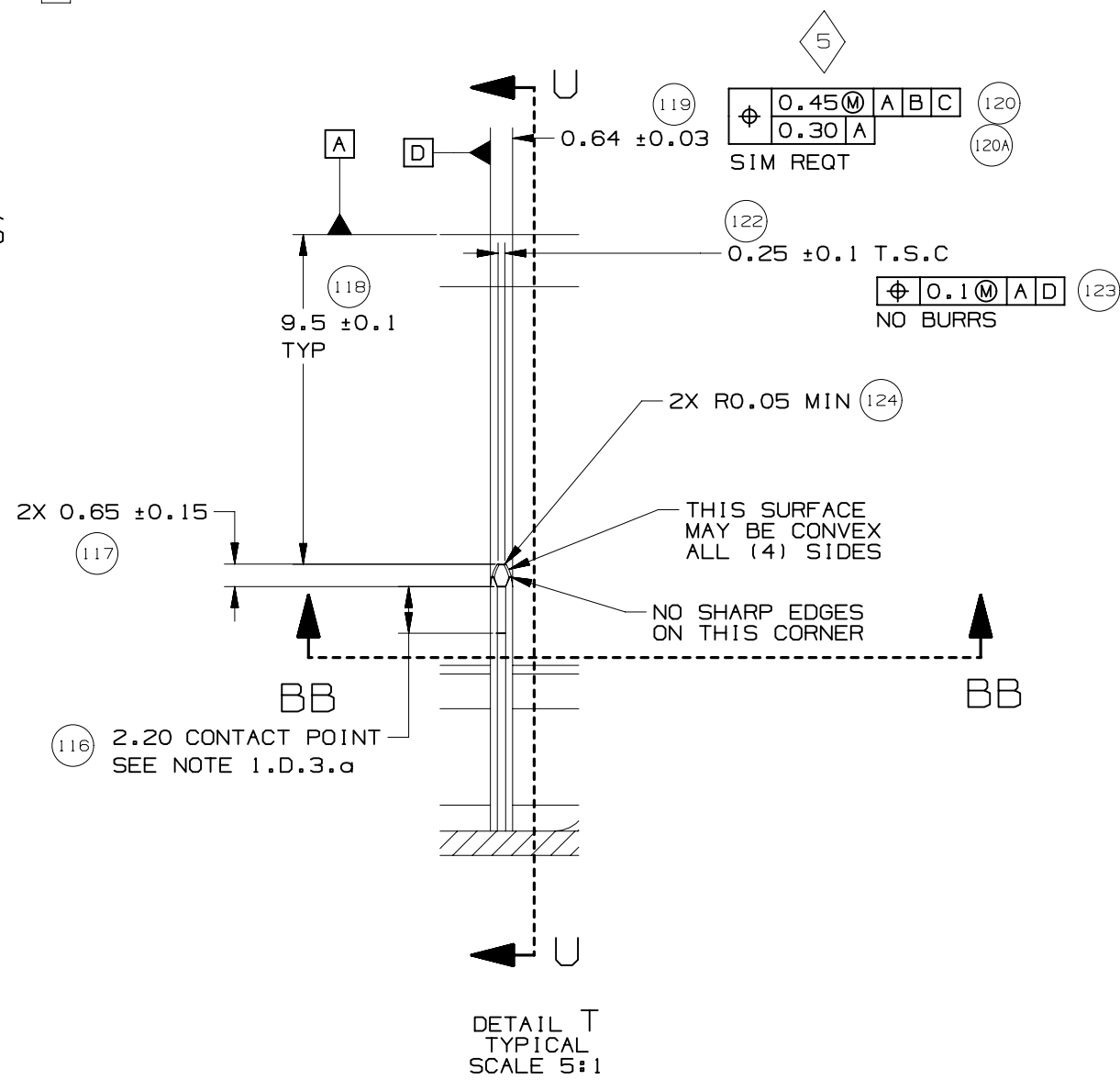


SECTION P-P

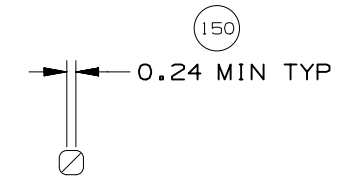




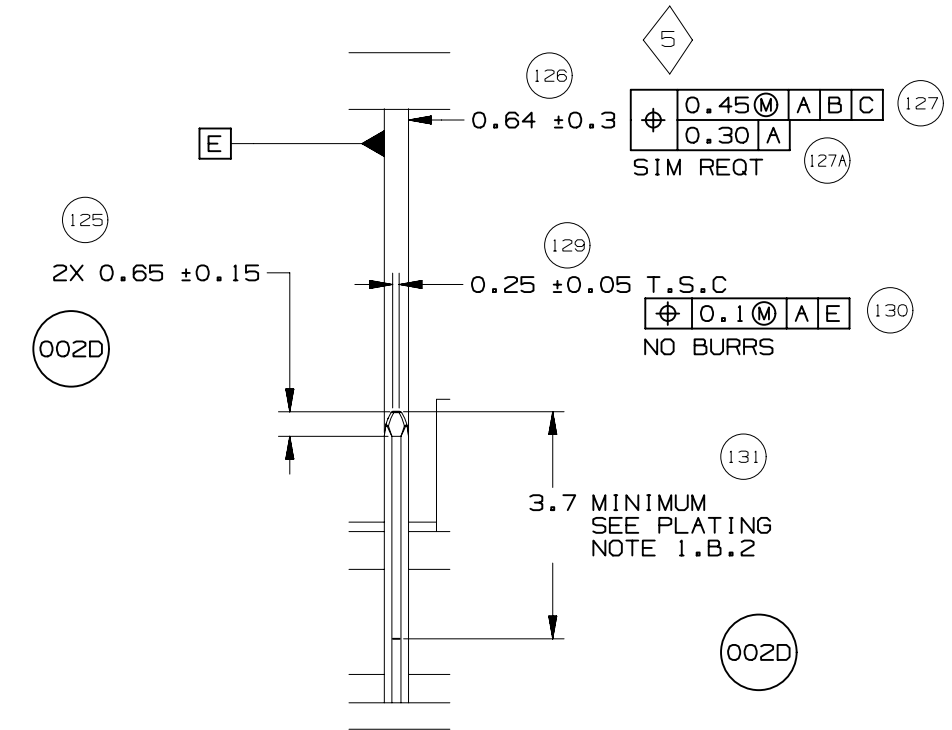
SECTION S-S



DETAIL T TYPICAL SCALE 5:1

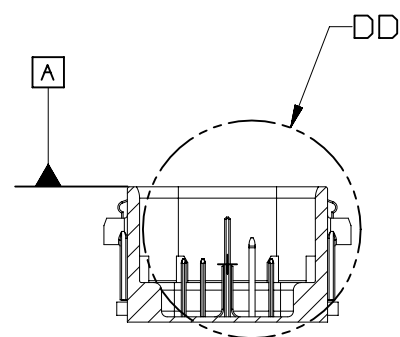
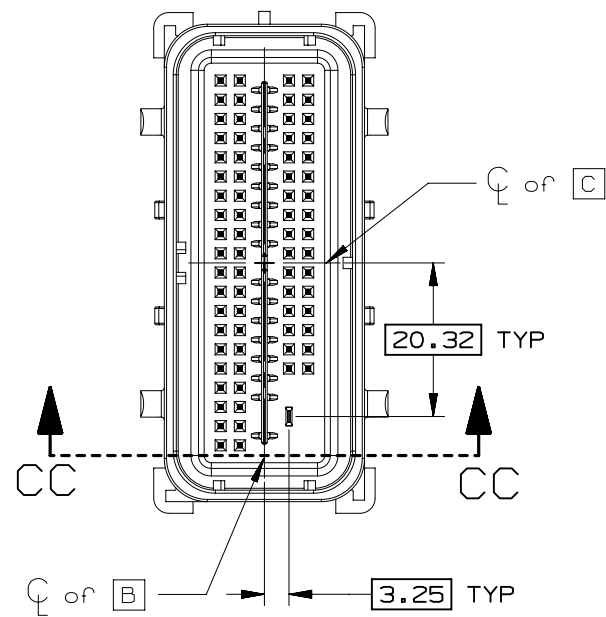


SECTION BB-BB

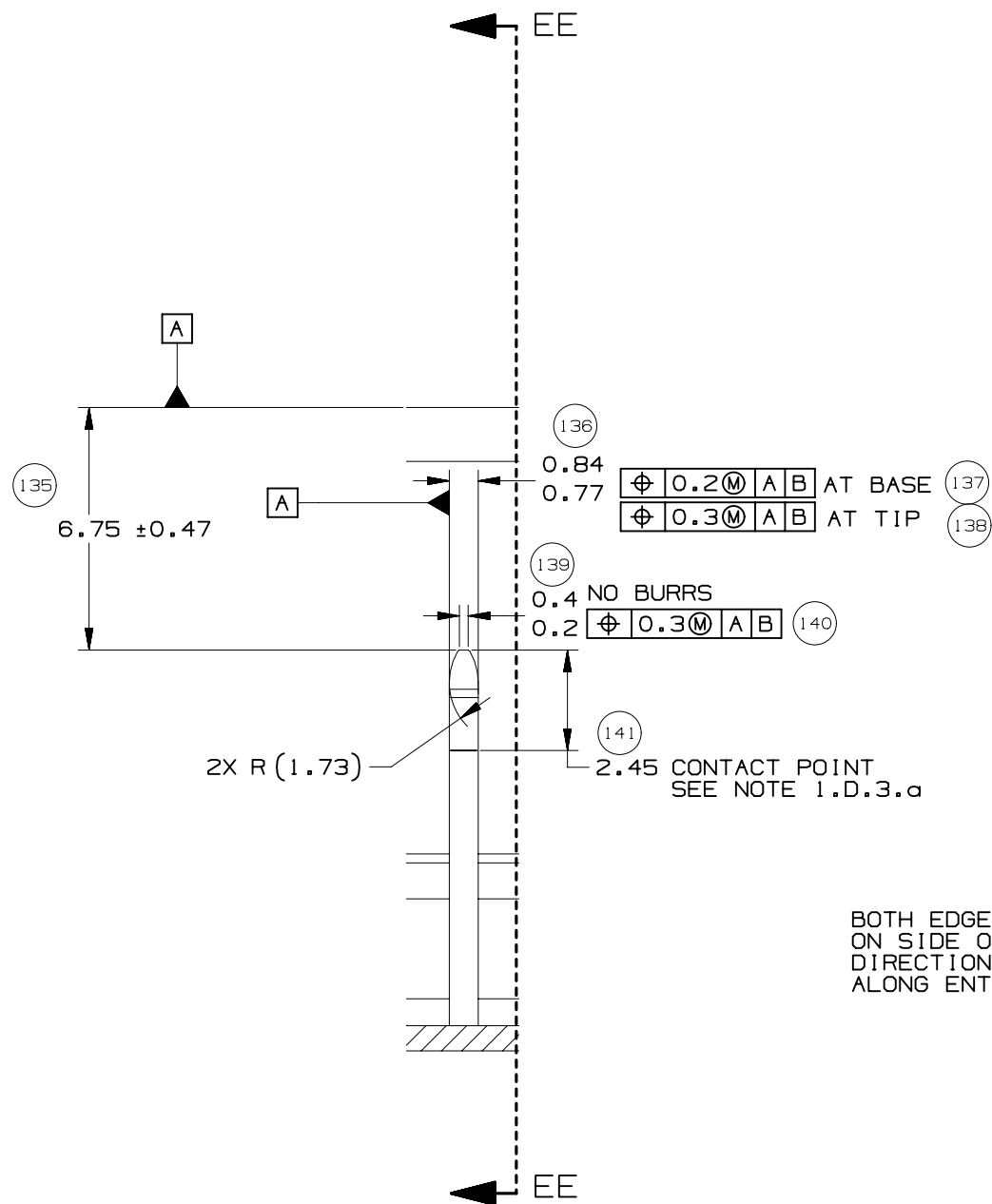


SECTION U-U





SECTION CC-CC



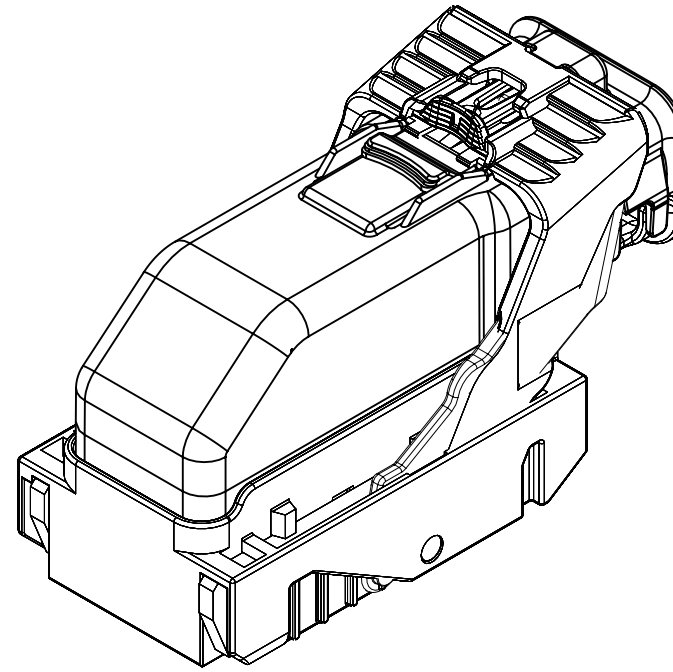
DETAIL DD
TYPICAL
SCALE 5:1

BOTH EDGES COINED
ON SIDE OPPOSITE
DIRECTION OF PUNCH
ALONG ENTIRE LENGTH


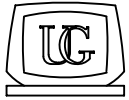
SECTION EE-EE
TYPICAL



INDEX	
PAGE TITLE	PAGE
TITLE BLOCK	1
REVISION BLOCK	2
PART BLOCK	3
KPC BLOCK	4
COMPONENT TABLE	5
NOTES	6
NOTES	7
WIRE DRESS PACKAGING DIMENSIONS	8
LOCATION AND PACKAGING DIMENSIONS REFERENCING INTERFACE DATUMS B & C	9
LOCATION AND PACKAGING DIMENSIONS REFERENCING INTERFACE DATUM A	10
KEY ID REF - WIRE DRESS OPTION 0	11
KEY ID REF - WIRE DRESS OPTION 9	12
CIRCUIT CONFIGURATIONS	13
CIRCUIT CONFIGURATIONS	14
COMPONENT CONNECTOR INTERFACE	15
COMPONENT CONNECTOR INTERFACE	16
COMPONENT CONNECTOR INTERFACE	17
COMPONENT CONNECTOR INTERFACE	18
COMPONENT CONNECTOR INTERFACE	19
COMPONENT CONNECTOR INTERFACE	20
COMPONENT CONNECTOR INTERFACE	21




ISO VIEW

	<p>UNLESS OTHERWISE SPECIFIED: THIS DOCUMENT IS IN ACCORDANCE WITH ASME Y14.5M-1994 AS AMMENDED BY THE GM GLOBAL DIMENSIONING AND TOLERANCING ADDENDUM-1997. ALL GEOMETRIC TOLERANCES AND RELATED DATUMS APPLY RFS. RULE #1 (PERFECT FORM AT MMC) DOES NOT APPLY WHEN A RELATIONSHIP BETWEEN FEATURES IS ESTABLISHED BY ORIENTATION OR LOCATION TOLERANCES. SEPARATE POSITION CALLOUTS MAY BE GAGED SEPARATELY REGARDLESS OF DATUM REFERENCES.</p>			DATE
	 CHANGE RESTRICTED NO MANUAL CHANGES	REFERENCE 12H (MOLEX AUTOMOTIVE)	DRAFTER J SZYMKOWSKI APVD1 D PFAFFINGER APVD2 B BURT APVD3 APVD4 APVD5	22DE05 22DE05 22DE05
DO NOT SCALE	DRAWING NAME			
METRIC DIMENSIONS SHOWN IN MILLIMETERS UNLESS OTHERWISE SPECIFIED	HARNESS CONN ASM 66/73/80 CKTS			
	DRAWING NUMBER	DWG STATUS		PAGE NUMBER
		12642695	ST	
		R	002	1 OF 21

PAGE	DWG STATUS					REVISION HISTORY	AUTH	DR	CK	ENG
	DATE	ST	REV	CHG	PDI					
	19DE11	R	001			RELEASED TO PRODUCTION AT DLS A	CRMRJB	SC	MRO	GF
3	08MY15	R	002	A		REORDERED PART BLOCK AND ADDED MASS CORRECTED P/N TYPO FROM 12562676 TO 12582676				
3, 5		R	002	B		ADDED 12659312, 12659313, 12653574 AND 12653575				
6		R	002	C		REMOVED NOTE 1 . D . 3 . C				
20		R	002	D		DIM 125 WAS 3.25 DIM 131 WAS 5.5	CRMRJD	DFK	MRO	GF

PAGE	DWG STATUS					REVISION HISTORY	AUTH	DR	CK	ENG
	DATE	ST	REV	CHG	PDI					

	PAGE TITLE	DRAWING NUMBER 12642695	DWG STATUS			PAGE NUMBER	
	REVISION BLOCK		ST	REV	PDI	2 OF 21	
			R	002			

KEY PRODUCT CHARACTERISTICS
(IN ACCORDANCE WITH QN 1805 OR ON 1050)



SAFETY/COMPLIANCE

TOTAL ON
DRAWING

5



FIT/FUNCTION

LAST NO.
USED

5

NO	TYPE	DESCRIPTION	RATIONALE	PAGE/ZONE
1	F/F	32.68	IMPROVE CONNECTOR SYSTEM MATING	15
2	F/F	29.00	INSURE PROPER RELEASE OF LEVER	15
3	F/F	15.25	INSURE FINAL MATE POSITION	16
5	F/F	POSITIONAL TOLERANCE (2 PLACES)	INSURE CONNECTOR SYSTEM MATEABILITY	19



PAGE TITLE
KPC BLOCK

DRAWING NUMBER

12642695

DWG STATUS

ST	REV	PDI
----	-----	-----

R	002	
---	-----	--

PAGE NUMBER

4 OF 21

LINE	MFG.	MFG. P/N	GM P/N	EFFECTIVE DATE	APPLICABLE COMPONENTS	KEY OPTION	WIRE DRESS OPTION	KEY CONFIG.	COLOR	STATUS
					DESCRIPTION					
-										
1	MOLEX	34565-0003	12582676	02JN03	MX123 DRESS COVER 66/73/80 CKT	N/A	N/A	N/A	BLACK	AVAILABLE
2	MOLEX	34822-0013	12642692	01SP13	MX123 HRNS CONN ASSY 66 CKT	A	0	1458	BLACK	AVAILABLE
3	MOLEX	34822-0033	12659312	01SP13	MX123 HRNS CONN ASSY 66 CKT	C	0	2467	BLUE	AVAILABLE
4	MOLEX	34822-0023	12642693	01SP13	MX123 HRNS CONN ASSY 66 CKT	A	9	1458	BLACK	AVAILABLE
5	MOLEX	34822-0043	12659313	01SP13	MX123 HRNS CONN ASSY 66 CKT	C	9	2467	BLUE	AVAILABLE
6	MOLEX	34566-0103	12582677	11JN04	MX123 HRNS CONN ASSY 73 CKT	A	0	1458	BLACK	AVAILABLE
7	MOLEX	34566-0203	12582678	11JN04	MX123 HRNS CONN ASSY 73 CKT	B	0	1468	ST GRAY	AVAILABLE
8	MOLEX	34566-0303	12615654	09AP08	MX123 HRNS CONN ASSY 73 CKT	C	0	2467	BLUE	AVAILABLE
9	MOLEX	34566-0403	12647268	T.B.D	MX123 HRNS CONN ASSY 73 CKT	D	0	2367	BROWN	NOT ACTIVE
10	MOLEX	34566-0503	AMJ28633	T.B.D	MX123 HRNS CONN ASSY 73 CKT	E	0	2468	GREEN	NOT ACTIVE
11	MOLEX	34566-0603	12653574	05DC14	MX123 HRNS CONN ASSY 73 CKT	F	0	1357	NATURAL	AVAILABLE
12	MOLEX	34566-0703	12588057	09AP08	MX123 HRNS CONN ASSY 80 CKT	G	0	1358	BLUE	AVAILABLE
13	MOLEX	34566-0803	12588058	11JN04	MX123 HRNS CONN ASSY 80 CKT	H	0	2458	ST GRAY	AVAILABLE
14	MOLEX	34566-0903	12615656	T.B.D	MX123 HRNS CONN ASSY 80 CKT	J	0	2457	BLACK	NOT ACTIVE
15	MOLEX	34566-1003	AMJ28595	T.B.D	MX123 HRNS CONN ASSY 80 CKT	K	0	2357	BROWN	NOT ACTIVE
16	MOLEX	34566-1103	AMJ29057	T.B.D	MX123 HRNS CONN ASSY 80 CKT	L	0	2368	GREEN	NOT ACTIVE
17	MOLEX	34566-1203	AMJ28669	T.B.D	MX123 HRNS CONN ASSY 80 CKT	M	0	2358	NATURAL	NOT ACTIVE
18	MOLEX	34566-1303	12603596	11JN04	MX123 HRNS CONN ASSY 73 CKT	A	9	1458	BLACK	AVAILABLE
19	MOLEX	34566-1403	12603597	11JN04	MX123 HRNS CONN ASSY 73 CKT	B	9	1468	ST GRAY	AVAILABLE
20	MOLEX	34566-1503	12615655	09AP08	MX123 HRNS CONN ASSY 73 CKT	C	9	2467	BLUE	AVAILABLE
21	MOLEX	34566-1603	12647269	T.B.D	MX123 HRNS CONN ASSY 73 CKT	D	9	2367	BROWN	NOT ACTIVE
22	MOLEX	34566-1703	AMJ28698	T.B.D	MX123 HRNS CONN ASSY 73 CKT	E	9	2468	GREEN	NOT ACTIVE
23	MOLEX	34566-1803	12653575	05DC14	MX123 HRNS CONN ASSY 73 CKT	F	9	1357	NATURAL	AVAILABLE
24	MOLEX	34566-1903	12603598	09AP08	MX123 HRNS CONN ASSY 80 CKT	G	9	1358	BLUE	AVAILABLE
25	MOLEX	34566-2003	12603599	11JN04	MX123 HRNS CONN ASSY 80 CKT	H	9	2458	ST GRAY	AVAILABLE
26	MOLEX	34566-2103	12615657	T.B.D	MX123 HRNS CONN ASSY 80 CKT	J	9	2457	BLACK	NOT ACTIVE
27	MOLEX	34566-2203	AMJ29117	T.B.D	MX123 HRNS CONN ASSY 80 CKT	K	9	2357	BROWN	NOT ACTIVE
28	MOLEX	34566-2303	AMJ29136	T.B.D	MX123 HRNS CONN ASSY 80 CKT	L	9	2368	GREEN	NOT ACTIVE
29	MOLEX	34566-2403	AMJ29214	T.B.D	MX123 HRNS CONN ASSY 80 CKT	M	9	2358	NATURAL	NOT ACTIVE
30	MOLEX	34736-2002	12642697	01AU10	MX64 RCPT TERM Ag 18/20 GAGE B (RIGHT PAYOFF)	N/A	N/A	N/A	N/A	AVAILABLE
31	MOLEX	34736-2001	12642696	01AU10	MX64 RCPT TERM Ag 22 GAGE B (RIGHT PAYOFF)	N/A	N/A	N/A	N/A	AVAILABLE
32	MOLEX	34586-0001	T.B.D.	11JN04	MX123 0.64MM GROMMET PLUG	N/A	N/A	N/A	NATURAL	AVAILABLE
33	YAZAKI	7116-4150-02	12588066	02JN03	2.8mm YESC SEALED FEMALE TERMINAL TIN 20/22 GAGE (CABLE RANGE 0.30mm-0.60mm)	N/A	N/A	N/A	N/A	NOT ACTIVE
34	YAZAKI	7116-4151-02	12588067	02JN03	2.8mm YESC SEALED FEMALE TERMINAL TIN 16/18 GAGE (CABLE RANGE 0.75mm-1.40mm)	N/A	N/A	N/A	N/A	NOT ACTIVE
35	YAZAKI	7116-4152-02	12582685	02JN03	2.8mm YESC SEALED FEMALE TERMINAL TIN 14 GAGE (CABLE RANGE 1.50mm-2.50mm)	N/A	N/A	N/A	N/A	AVAILABLE
36	YAZAKI	7158-3111-60	12588068	02JN03	2.8mm CABLE SEAL (wire O.D. range 1.20mm-1.90mm)	N/A	N/A	N/A	GREEN	NOT ACTIVE
37	YAZAKI	7158-3112-70	12588069	02JN03	2.8mm CABLE SEAL (wire O.D. range 1.80mm-2.30mm)	N/A	N/A	N/A	YELLOW	NOT ACTIVE
38	YAZAKI	7158-3113-40	12582686	02JN03	2.8mm CABLE SEAL (wire O.D. range 2.18mm-3.00mm)	N/A	N/A	N/A	WHITE	AVAILABLE
39	YAZAKI	7158-3114-90	T.B.D	02JN03	2.8mm YESC CAVITY PLUG	N/A	N/A	N/A	BLUE	AVAILABLE
40	MOLEX	63811-4200	XX019825	02JN03	MX64 TERM HAND CRIMP TOOL	N/A	N/A	N/A	N/A	AVAILABLE
41	MOLEX	63813-1400	XX019826	02JN03	MX64 TERM SERVICE TOOL	N/A	N/A	N/A	N/A	AVAILABLE
42	MOLEX	63865-8000	XX019827	02JN03	MX64 CRIMP APPLICATOR with TOOL KIT 18/20 GAGE PAYOFF DIRECTION D (left payoff) (contact Molex for payoff detail)	N/A	N/A	N/A	N/A	AVAILABLE
43	MOLEX	63865-8070	XX019828	02JN03	MX64 APPLICATOR TOOL KIT 18/20 GAGE	N/A	N/A	N/A	N/A	AVAILABLE
44	MOLEX	63865-8100	XX019829	02JN03	MX64 CRIMP APPLICATOR with TOOL KIT 22 GAGE PAYOFF DIRECTION D (left payoff) (contact Molex for payoff detail)	N/A	N/A	N/A	N/A	AVAILABLE
45	MOLEX	63865-8170	XX019830	02JN03	MX64 APPLICATOR TOOL KIT 22 GAGE	N/A	N/A	N/A	N/A	AVAILABLE
46	SPX	J35616-64	T.B.D.	02JN03	0.64mm PROBE TOOL (for rcpt)	N/A	N/A	N/A	N/A	AVAILABLE
47	SPX	J35616-64A	T.B.D.	02JN03	0.64mm PROBE TOOL WITH EXT (for rcpt)	N/A	N/A	N/A	N/A	AVAILABLE
48	SPX	J35616-65	T.B.D.	02JN03	0.64mm PROBE TOOL WITH EXT (for pin)	N/A	N/A	N/A	N/A	AVAILABLE
49	SPX	J35616-4A	T.B.D.	02JN03	2.8mm PROBE TOOL (for rcpt)	N/A	N/A	N/A	N/A	AVAILABLE
50	YAZAKI	X39899-J374	12094430	02JN03	2.8mm TERM SERVICE TOOL	N/A	N/A	N/A	N/A	AVAILABLE

002B

* - MX123 DRESS COVER 73/80/66 CKT MATES TO ANY MX123 HARN CONN ASSY SHOWN ON TABLE ABOVE



PAGE TITLE
COMPONENT TABLE

DRAWING NUMBER
12642695

DWG STATUS			PAGE NUMBER
ST	REV	PD1	
R	002		

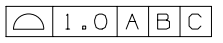
5 OF 21

NOTES: UNLESS OTHERWISE SPECIFIED

1. MATERIAL FOR INTERFACE:

- A. RESIN:
 - 1. 30% G.F. PBT; 20% MAX. (BY WEIGHT) REGRIND.
 - 2. MATING CONNECTOR INTERFACE PART COLOR MUST BE SAME AS MATCHING KEYED HARNESS CONNECTOR ASSEMBLY.
 - 3. MUST BE VALIDATED FOR INDIVIDUAL DEVICE APPLICATION REQUIREMENTS.
- B. 0.64MM PINS:
 - 1. BASE MATERIAL: COPPER ALLOY; CONDUCTIVITY >= 28% IACS AT 20°C; TENSILE STRENGTH >= 635 N/mm²; SURFACE ROUGHNESS R_a 6 MAX.
 - 2. PLATING FINISH: SILVER (Ag). PLATING TO BE 1.9-3.3 μm ELECTRODEPOSITED SEMI-BRIGHT SILVER OVER 1.25-2.25 μm DUCTILE SULPHAMATE NICKEL PER NOTE 1(D).
 - 3. ANTI-TARNISH: SYNTHETIC HYDROCARBON CONTACT SURFACE FINISH OR EQUIVALENT APPLIED WITHOUT VOID TO CONTACT AREA (MIN 3.7mm FROM PIN TIP).
- C. 2.8MM BLADE:
 - 1. BASE MATERIAL: COPPER ALLOY; CONDUCTIVITY >= 28% IACS AT 20°C; TENSILE STRENGTH >= 350 N/mm²; SURFACE ROUGHNESS R_a 6 MAX.
 - 2. PLATING FINISH: TIN. PLATING TO BE 2.5-5.0 μm ELECTRODEPOSITED TIN, MATTE FINISH OVER 1.25-2.5 μm DUCTILE SULPHAMATE NICKEL PER NOTE 1(D).
- D. PLATING REQUIREMENTS:
 - 1. SILVER PLATING
 - a. 99.5% PURE SEMI-BRIGHT WITH NO ORGANIC BRIGHTNERS OR CHROMATES.
 - 2. NICKEL PLATING
 - a. ELECTRODEPOSITED DUCTILE SULFAMATE NICKEL WITH A NON-BRIGHTENED FINISH. NO ORGANIC OR BRIGHTENING AGENTS SHALL BE ALLOWED.
 - b. SHALL ONLY BE USED AS AN UNDERLYING PLATING AND MAY NOT BE USED AS AN ELECTRICAL CONTACT SURFACE PLATING.
 - c. SHALL BE NODULE FREE WHEN VIEWED AT 10X MAGNIFICATION IN MEASURED IN CONTACT SURFACE AREA PLUS 0.5MM PERIMETER AROUND THE CONTACT SURFACE AREA.
 - d. ALL PLATINGS SHALL HAVE A 1.0% MAXIMUM BY WEIGHT IMPURITIES. IMPURITIES ARE DEFINED AS ALL ELEMENTS NOT THE PRIMARY PLATING OR HARDENING AGENT IF APPLICABLE, AS DETERMINED BY WET CHEMICAL ANALYSIS OR AUGER METHOD. NO SINGLE IMPURITY SHALL EXCEED 0.1% MAXIMUM BY WEIGHT.
 - 3. TESTING
 - a. THICKNESS TO BE MEASURED IN CONTACT SURFACE AREA PLUS 0.5MM PERIMETER AROUND THE CONTACT SURFACE AREA AS DESIGNATED IN THE DRAWING. THICKNESS SHALL BE DETERMINED BY METHOD OF X-RAY (XRF).
 - b. PLATING ADHESION SHALL BE TESTED BY A BEND TEST FOR ALL METALS. THE TEST SAMPLE SHALL BE BENT 90 DEGREES TO DETERMINE DEPOSIT ADHESION. TESTING SHALL BE COMPLETED IN ACCORDANCE WITH ASTM SPEC B571.


2. DESIGN - GENERAL:

- A. THIS IS A 100% CAD GENERATED PART. THE CAD MATHEMATICAL DATA IS THE MASTER FOR THIS PART. FOR DIMENSIONAL OR ANY INFORMATION NOT SHOWN ON THIS DRAWING, ANALYZE THE CAD MODEL.
- B. TOLERANCES:
 - 1. LINEAR
 - 0.X ± 0.30
 - 0.XX ± 0.10
 - 0.XXX ± 0.10
 - 2. ANGULAR X° ± 3°
 - 3. 
- C. MINIMUM WALL THICKNESS REQUIRED: 1.3mm.
- D. CORNERS SHOWN AS SHARP TO BE R 0.2 MAX.
- E. LETTERING SHALL BE 0.15 MAX RAISED IN 0.20 MAX RECESS PAD. THIS INCLUDES MATERIAL CODE, RECYCLING CODE, CAVITY ID AND DATE CODE.
- F-1. PARTS MUST BE FREE OF DISCOLORATION, SALT RESIDUE AND OTHER IMPERFECTIONS THAT AFFECT FIT OR FUNCTION.
- F-2. SCRATCHES OR DENTS NOT TO EXCEED 0.013mm IN DEPTH.
- G. FOLLOWING PRODUCTION CODES TO BE PERMANENTLY MARKED & HUMAN READABLE TO A LETTER HEIGHT OF 1.5 ± 0.5MM X 0.3 MAX DEEP
 - 1. MATERIAL #: XXXXX-XXXX
 - 2. DATE CODE: JJYY (JULIAN DAY, LAST DIGIT OF YEAR)
 - 3. INSPECTION MACHINE CODE + SERIAL #: X_XXXXX

3. DESIGN - MANUFACTURING:

- A. DRAFT TO BE WITHIN TOLERANCE.
- B. ALLOWABLE FLASH MAX 0.2 HIGH X MAX 0.13 THICK.
- C. ALLOWABLE PARTING LINE MISMATCH 0.2 MAX.
- D. EJECTOR PINS MARK TO BE FLUSH TO 0.25 MAX DEPRESSED.
- E. ALLOWABLE GATE VESTIGE FLUSH TO 0.25 MAX PROTRUSION.
- F. NO EXTERNAL MOLD RELEASE AGENT ALLOWED DURING MANUFACTURING.
- G. STEEL THAT FORMS THE INDICATED SURFACE MUST BE POLISHED WITH A DIAMOND FINISH (SPI A-2) OVER THE FULL PERIPHERY OF THE TOOL. SURFACE MUST HAVE NO MISMATCH.
- H. ANY PROCESS LUBRICANT REMAINING ON THE TERMINAL MUST NOT VARNISH OR DEGRADE IT'S ELECTRICAL PERFORMANCE UP TO A MAXIMUM CLASS AMBIENT TEMPERATURE PER SAE USCAR-2 FOR 1008 HOURS. PROCESS LUBRICANTS SHOULD BE APPROVED BY THE RESPONSIBLE ENGINEER.
- J. OPTIONAL FEATURES PROVIDED FOR AUTOMATION.
- K. PART MUST BE FREE FROM BURRS AND SHARP EDGES, WHICH MIGHT BE DETRIMENTAL TO SATISFACTORY ASSEMBLY, SAFE HANDLING OR FUNCTION OF PART.
- L. PARTS AS DELIVERED TO ASSEMBLY SHALL BE CLEAN AND FREE OF DEBRIS, RESIDUAL ABRASIVE MATERIAL AND CORROSION PRODUCTS ADVERESLY AFFECTING FUNCTION OR APPEARENCE.
- M. RESTRICTED AND REPORTABLE SUBSTANCES FOR PARTS PER GMW3059.

002C

	PAGE TITLE	DRAWING NUMBER 12642695	DWG STATUS			PAGE NUMBER 6 OF 21
	NOTES		ST	REV	PDI	
			R	002		

NOTES: UNLESS OTHERWISE SPECIFIED

4. SYSTEM REQUIREMENTS:

- A. HARNESS CONNECTOR IS COMPATIBLE WITH THE FOLLOWING SAE WIRE SIZE NO'S:
 - 14, MEETING SAE J1128
 - 18, MEETING SAE J1128, MAX O.D. OF 2.06 MM
 - 20, MEETING SAE J1128
 - 22, MEETING SAE J1128, MIN O.D. OF 1.47 MM
- B. CABLE TIE SPECIFICATIONS:
 - 1. CABLE TIE:
 - TENSILE RATING: 220N / (50lbs) MIN
 - TIE LENGTH: 186mm MIN
 - TIE WIDTH: 4.75mm MAX
 - MATERIAL: NYLON
 - 2. INSTALLATION:
 - CABLE TIE TENSION: 190N MIN
 - 3. DRESSED WIRE BUNDLE PACKAGING: SEE FIG. 1
- C. WHEN MATED WITH COMPONENT CONNECTOR INTERFACE AND/OR DRESS COVER, HARNESS CONNECTOR SYSTEM CONFORMS TO THE FOLLOWING:
 - 1. SAE/USCAR-2, REV: 3 APRIL, 2001; CLASS 3
 - 2. FIELD CORRELATED LIFE TEST, SAE/USCAR-20, NOV. 2001
 - 3. GMW #3191 AUGUST 22, 2000 (DRAFT); TEMPERATURE CLASS 3, SEALING CLASS 1, VIBRATION CLASS 2
 - 4. RESTRICTED AND REPORTABLE CHEMICALS PER GMW #3059, REV: D AUGUST 2002
 - 5. TPA USER FORCES (FULLY POPULATED WITH TERMINALS)
 - a. REMOVAL FROM LOCK TO PRE-SET: <=120N
- D. WIRE SPECIFICATIONS:
 - 1. WIRE SURFACE MUST BE FREE OF SCRATCHES, GROOVES OR DENTS WHERE FUNCTIONAL

5. TERMINAL CURRENT RATINGS:

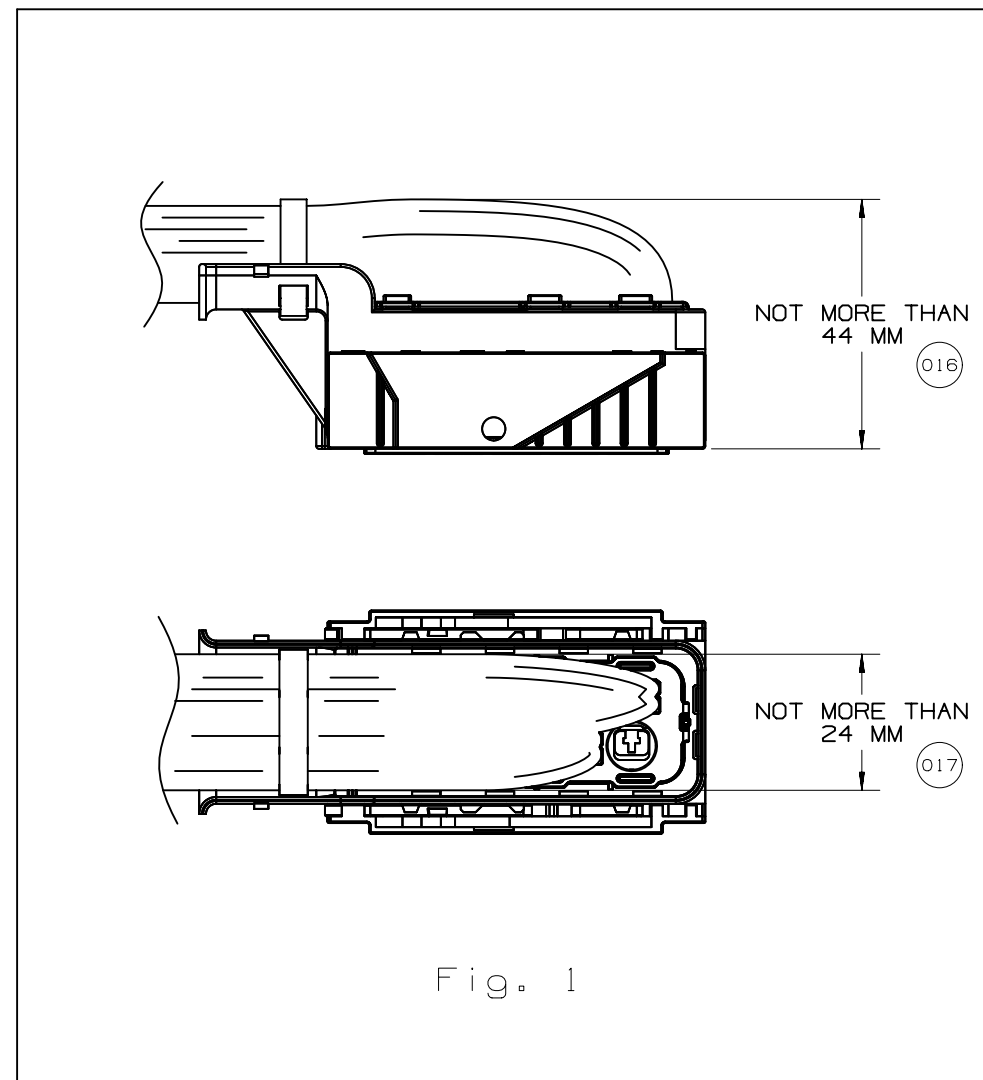
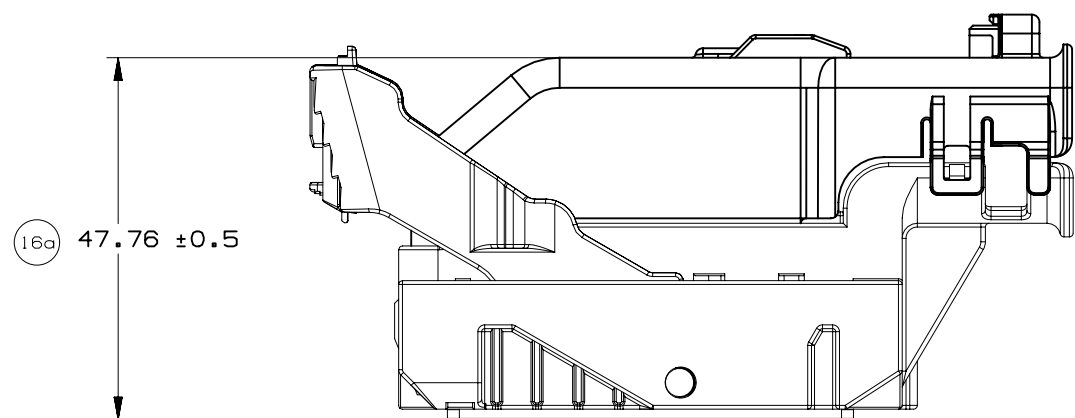
ALL TESTING DONE IN ACCORDANCE WITH USCAR-2 REV5 SECTION 5.3

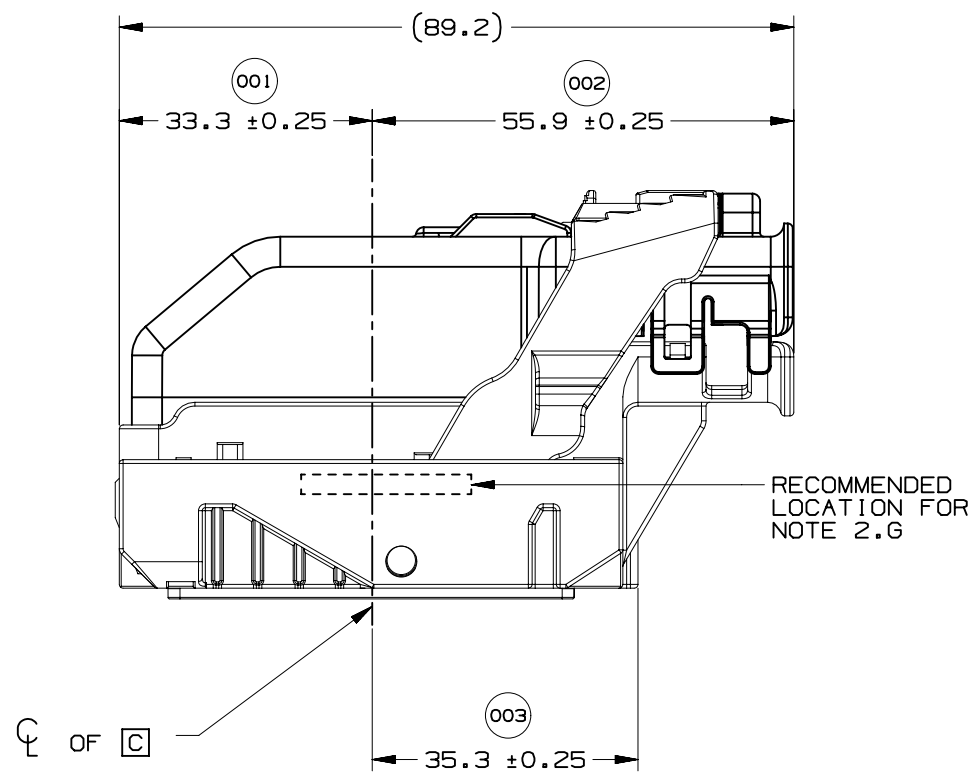
- A. MX64 RCPT TERM
 - 1. MX64 RCPT TERM Ag 18/20 GAGE CRIMPED TO SAE WIRE SIZE NO.18 AND MATED TO MX123 0.64MM PIN: 11.3 AMPS
 - 2. MX64 RCPT TERM Ag 22 GAGE CRIMPED TO SAE WIRE SIZE NO.22 AND MATED TO MX123 0.64MM PIN:8.5 AMPS

WIRE	CURRENT RATING			
	23°C	85°C	105°C	125°C
18AWG	11.3A	11.3A	9.5A	6.6A
20AWG	10.0A	10.0A	8.3A	5.7A
22AWG	8.6A	8.6A	7.1A	5.0A

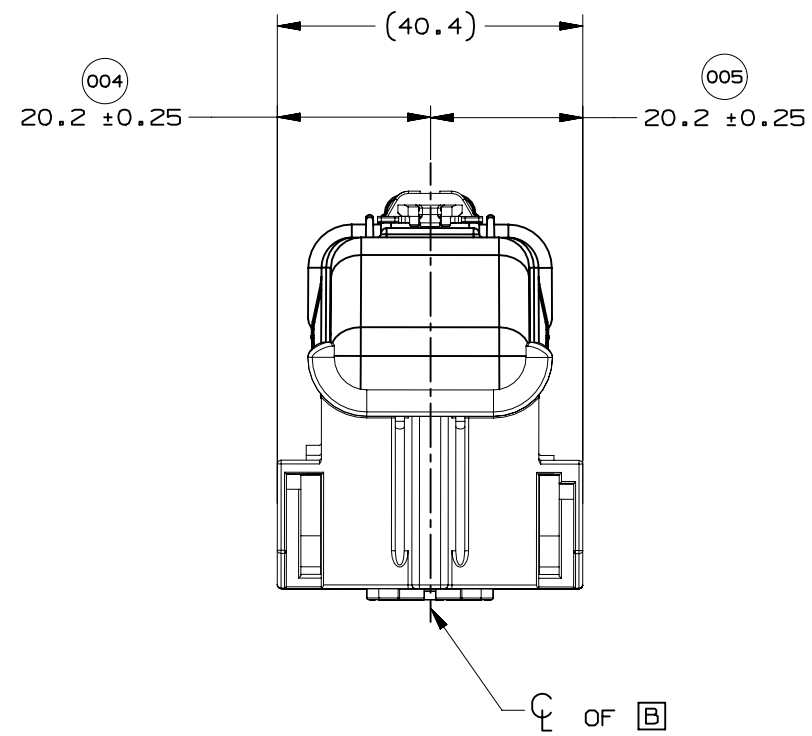
- B. 2.8MM RCPT TERM
 - 1. 2.8MM RCPT TERM TIN 14 GAGE CRIMPED TO SAE WIRE SIZE NO.14 AND MATED TO MX123 2.8MM BLADE: 25.6 AMPS

6. CONTACT MOLEX AUTOMOTIVE FOR AVAILABLE CUSTOM PATTERNS OF CAVITIES OPEN FOR CIRCUITS

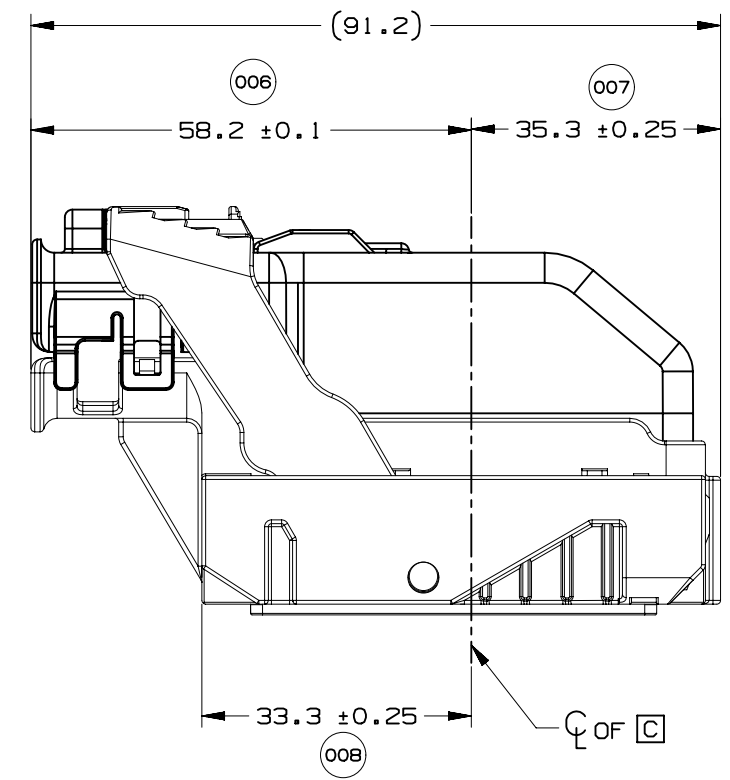




WIRE DRESS OPTION 0 SHOWN

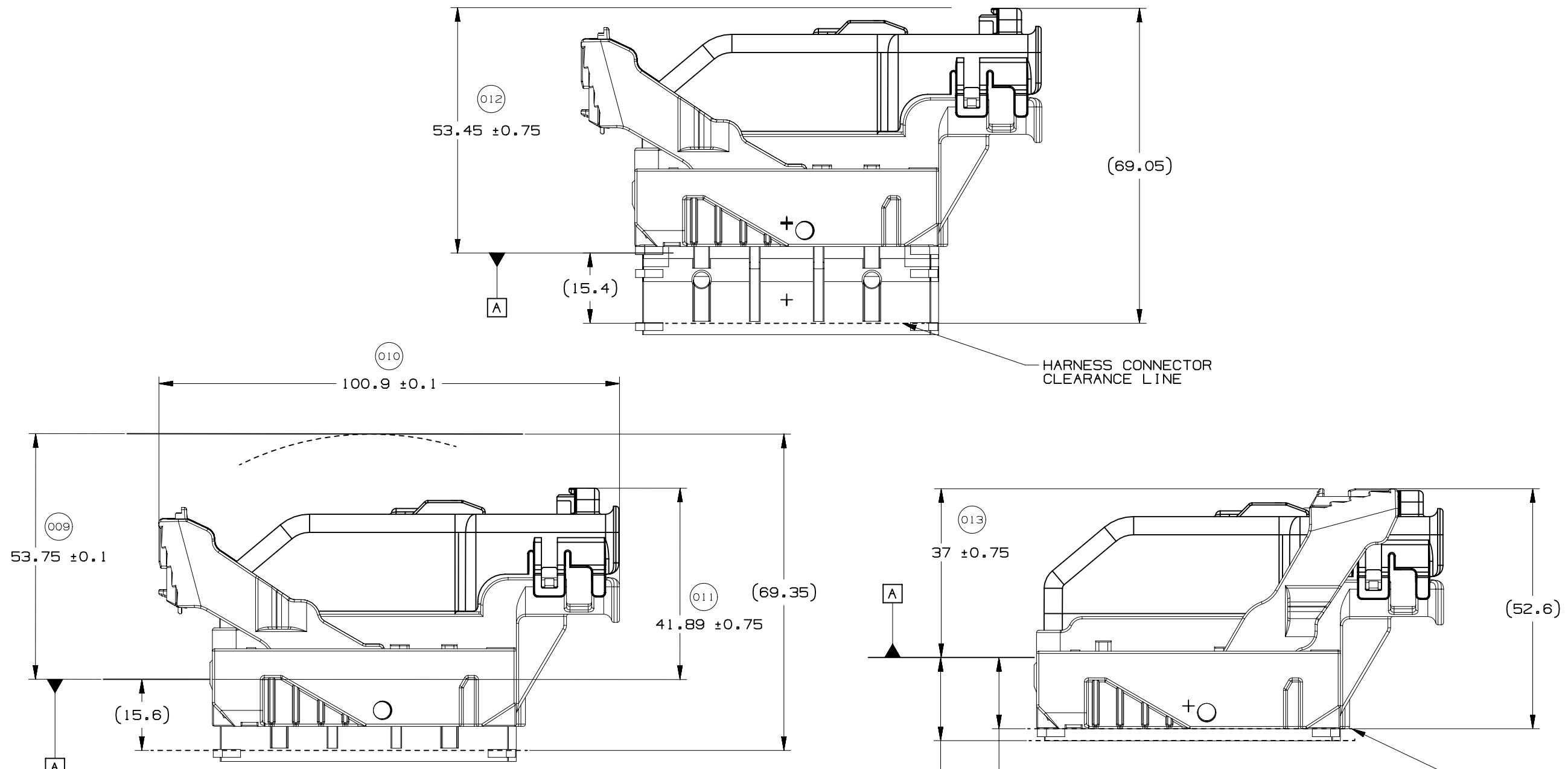


WIRE DRESS OPTION 0 SHOWN



WIRE DRESS OPTION 9 SHOWN





HARNESS CONNECTOR CLEARANCE LINE

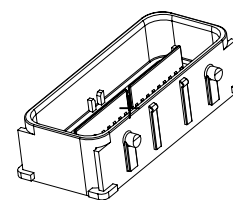
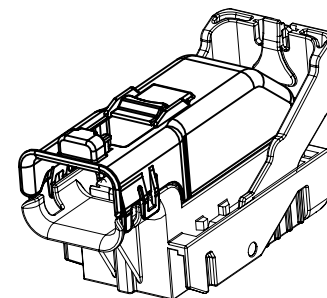
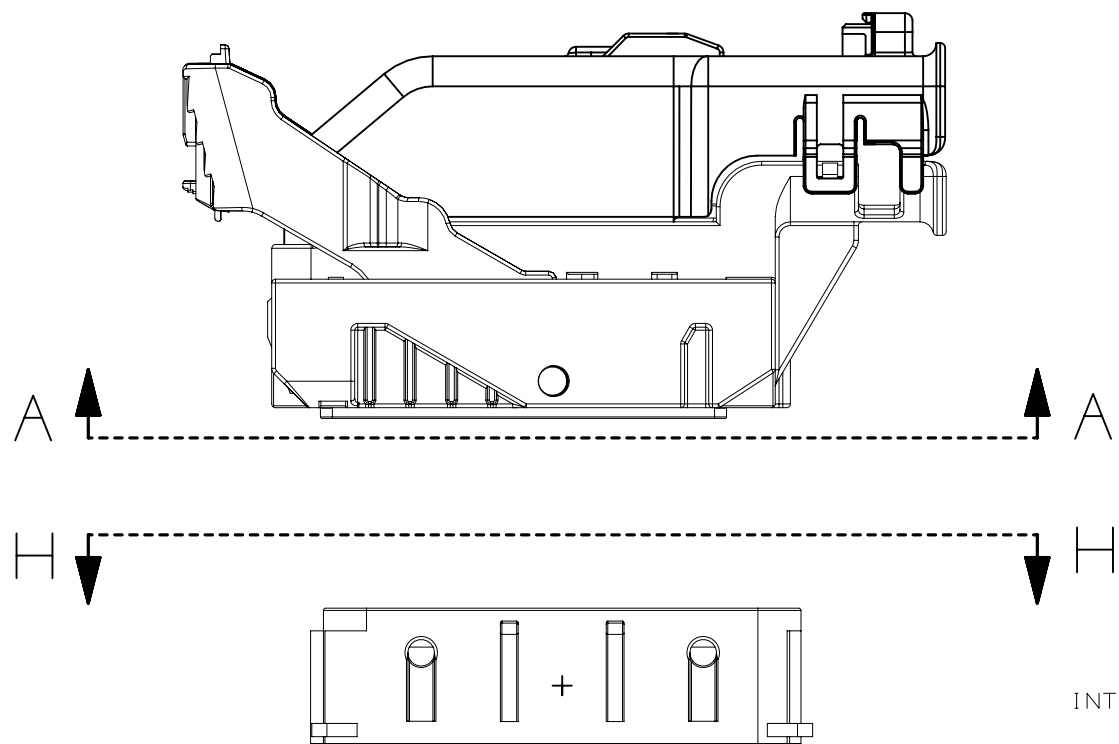
HARNESS CONNECTOR ASSEMBLY IN FULLY-MATED POSITION

HARNESS CONNECTOR CLEARANCE LINE

15.6 MIN. ALL AROUND CLEARANCE REQUIRED FOR HARNESS CONNECTOR (014)

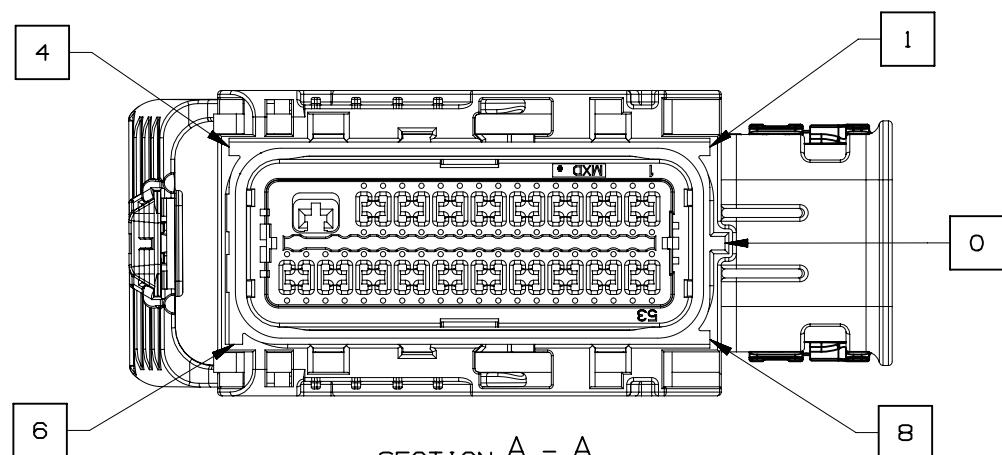
17.9 MIN. AT PAD LOCATION CLEARANCE REQUIRED FOR HARNESS CONNECTOR CONSTRUCTION BELOW THIS PLANE IS NOT CONTROLLED (015)

	PAGE TITLE LOCATION AND PACKAGING DIMENSIONS REFERENCING INTERFACE DATUM A	DRAWING NUMBER 12642695			DWG STATUS ST REV PDI R 002			PAGE NUMBER 10 OF 21	

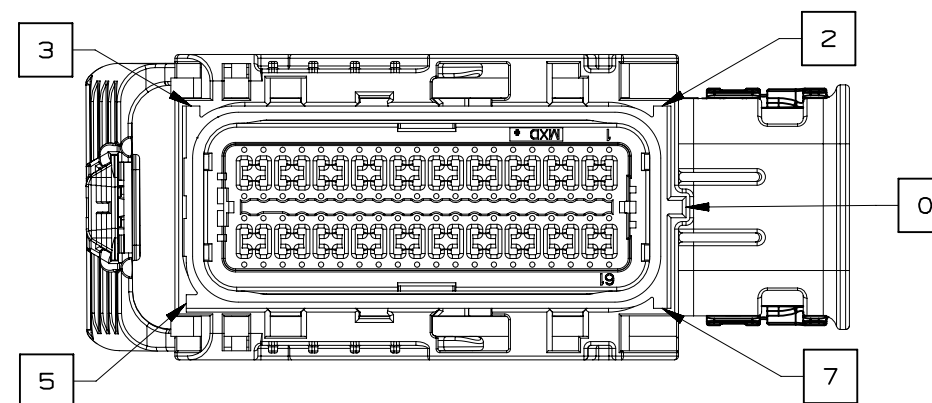


NOTE: REFERENCE THE COMPONENT TABLE FOR KEY OPTIONS AND CONFIGURATIONS

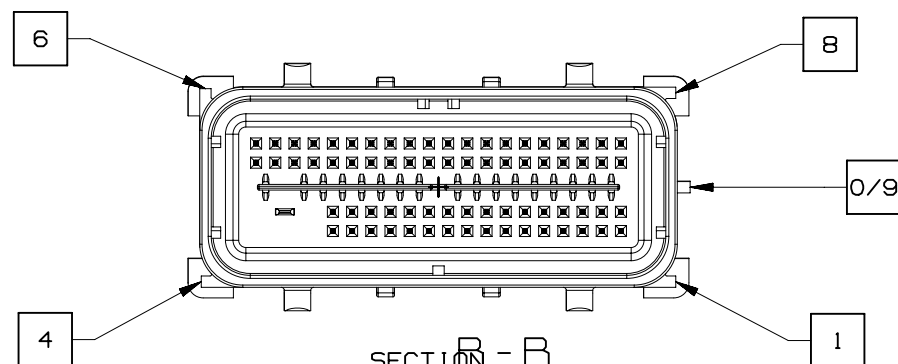
INTERFACE SIDE SHOWN ON ALL SECTION VIEWS



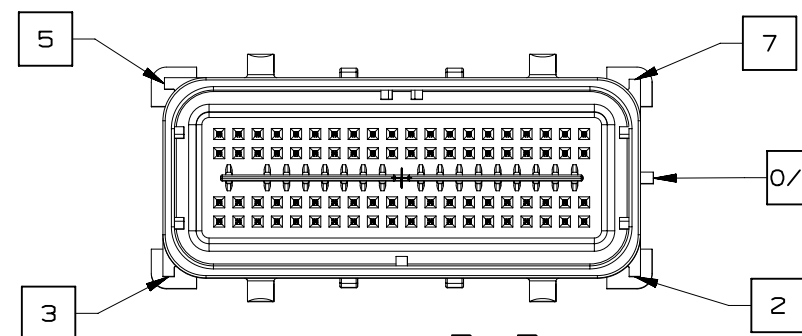
SECTION A - A
KEY OPTION B SHOWN



SECTION A - A
KEY OPTION K SHOWN



SECTION B - B
KEY OPTION B SHOWN



SECTION B - B
KEY OPTION K SHOWN

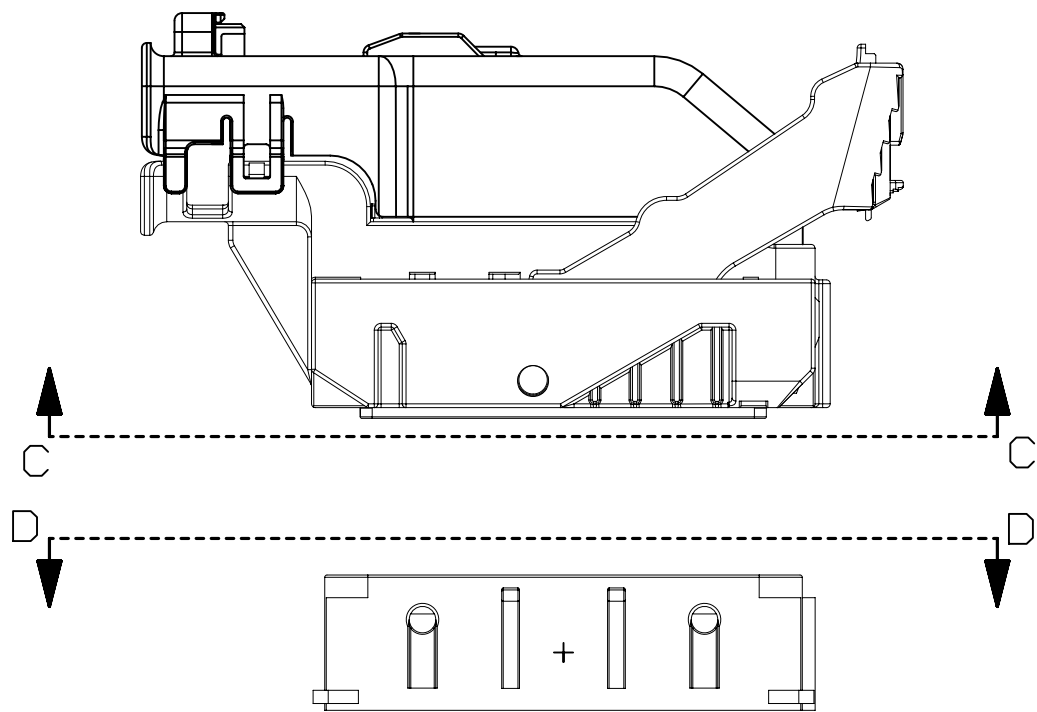


PAGE TITLE
KEY ID REF - WIRE DRESS OPTION 0

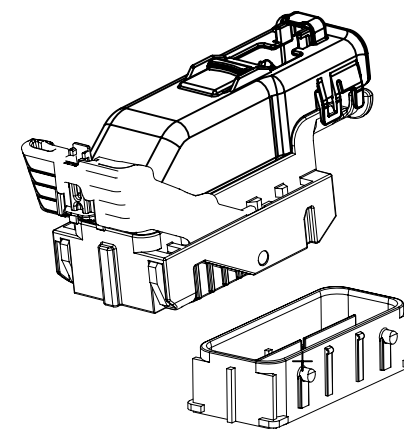
DRAWING NUMBER
12642695

DWG STATUS		
ST	REV	PD1
R	002	

PAGE NUMBER
11 OF 21

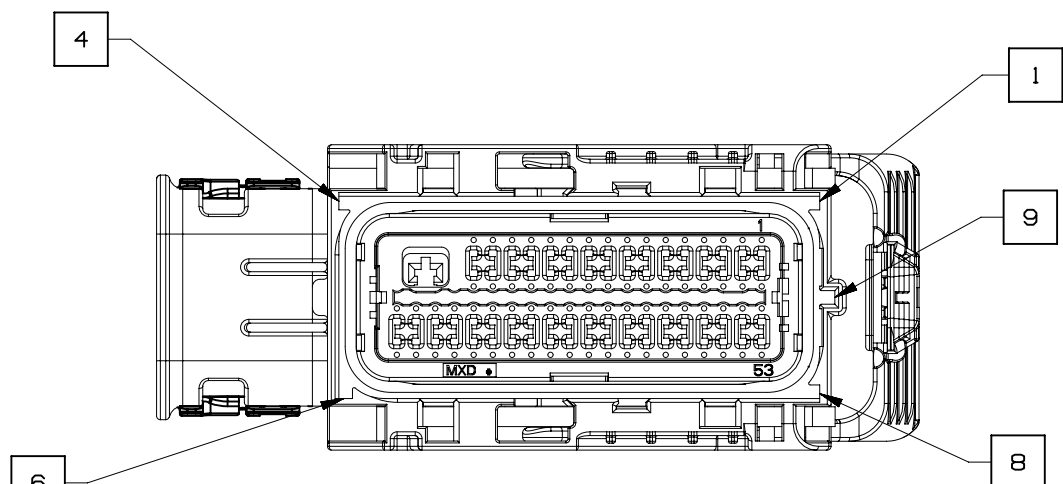


INTERFACE SIDE SHOWN ON ALL SECTION VIEWS

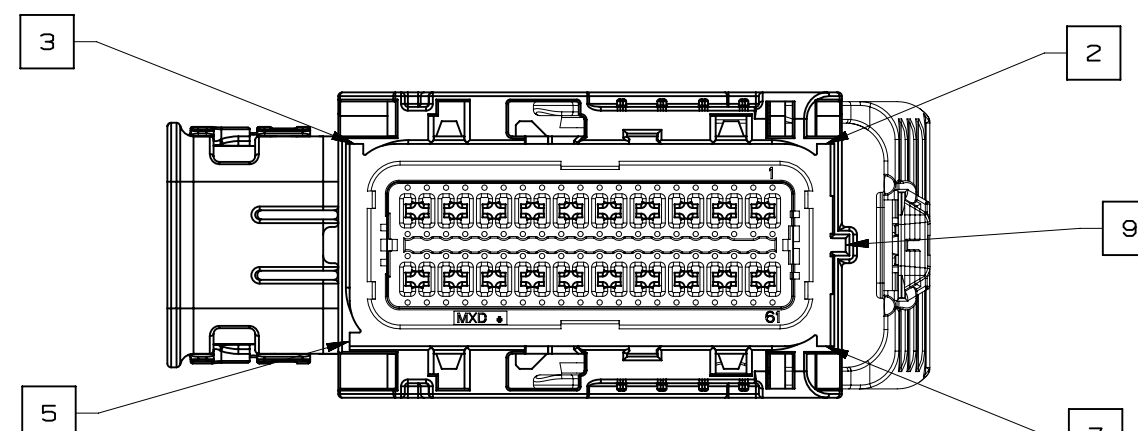


NOTE: REFERENCE THE COMPONENT TABLE FOR KEY OPTIONS AND CONFIGURATIONS

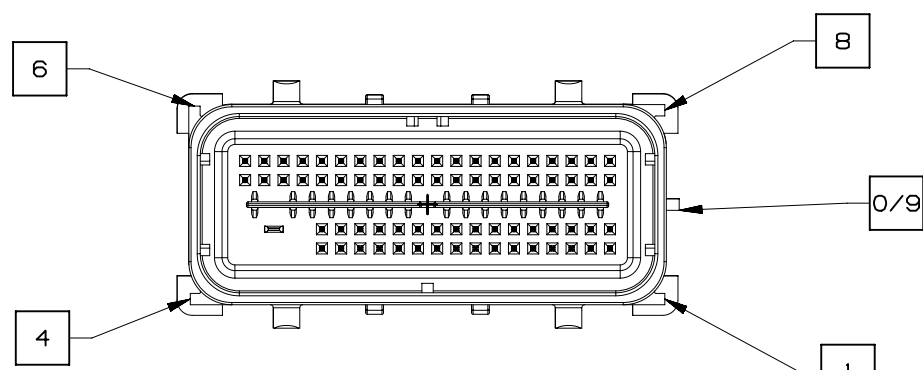
VIEW V



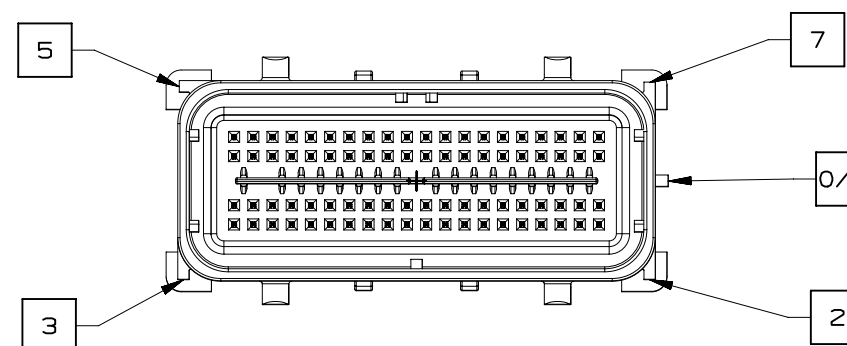
SECTION C-C
KEY OPTION B SHOWN



SECTION C-C
KEY OPTION K SHOWN



SECTION D-D
KEY OPTION B SHOWN



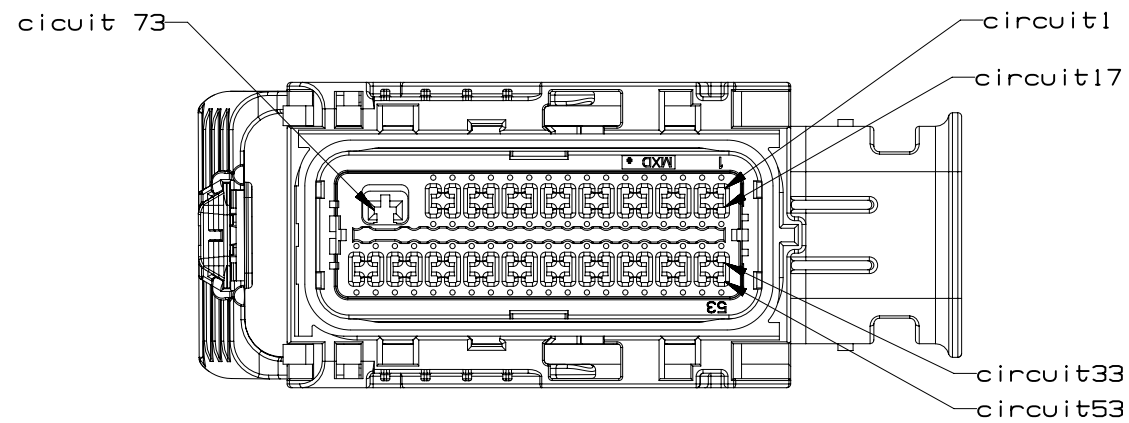
SECTION D-D
KEY OPTION K SHOWN



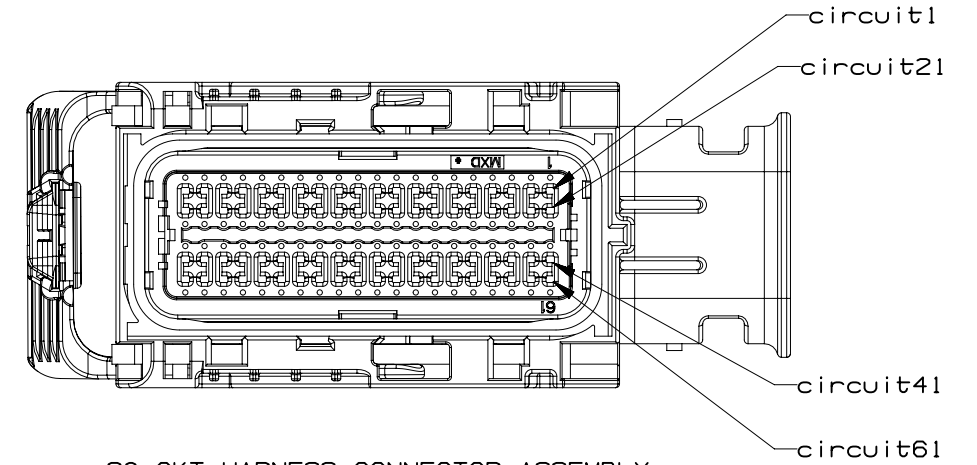
PAGE TITLE
KEY ID REF - WIRE DRESS OPTION 9

DRAWING NUMBER
12642695

DWG STATUS			PAGE NUMBER
ST	REV	PD1	
R	002		12 OF 21

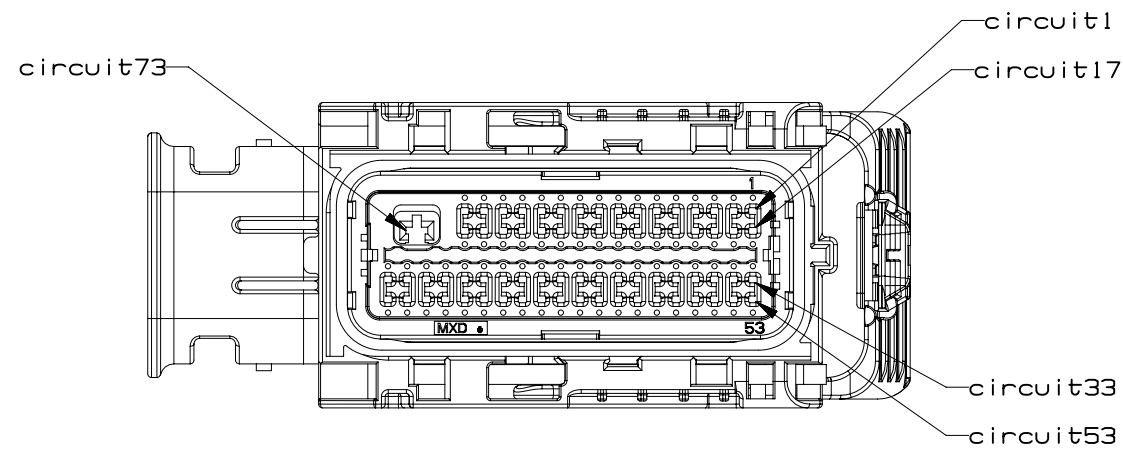


73 CKT HARNESS CONNECTOR ASSEMBLY
WIRE DRESS OPTION 0

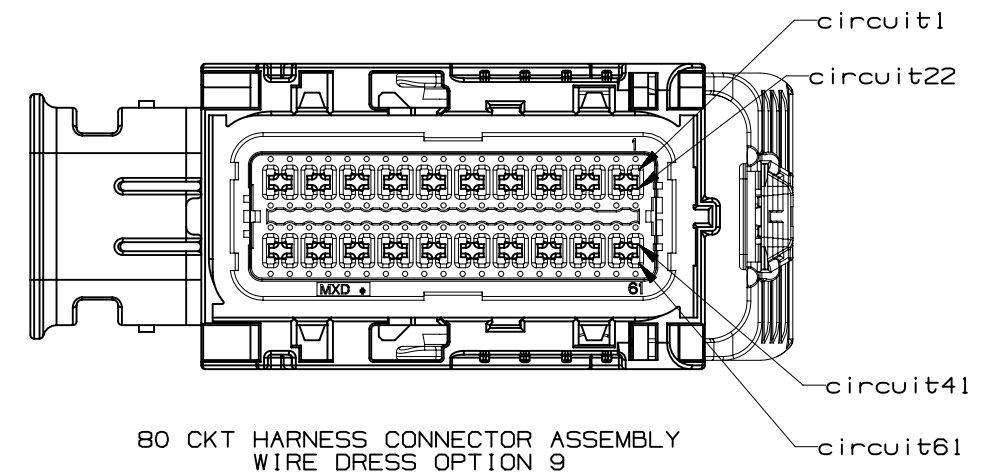


80 CKT HARNESS CONNECTOR ASSEMBLY
WIRE DRESS OPTION 0

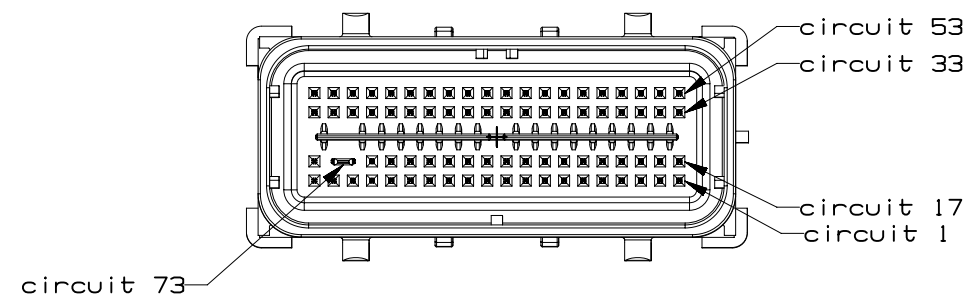
INTERFACE SIDE SHOWN ON ALL VIEWS



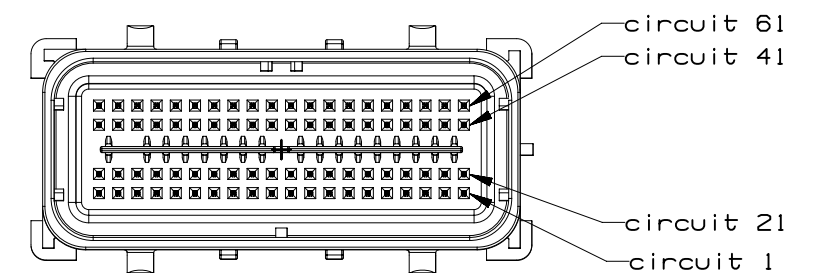
73 CKT HARNESS CONNECTOR ASSEMBLY
WIRE DRESS OPTION 9



80 CKT HARNESS CONNECTOR ASSEMBLY
WIRE DRESS OPTION 9

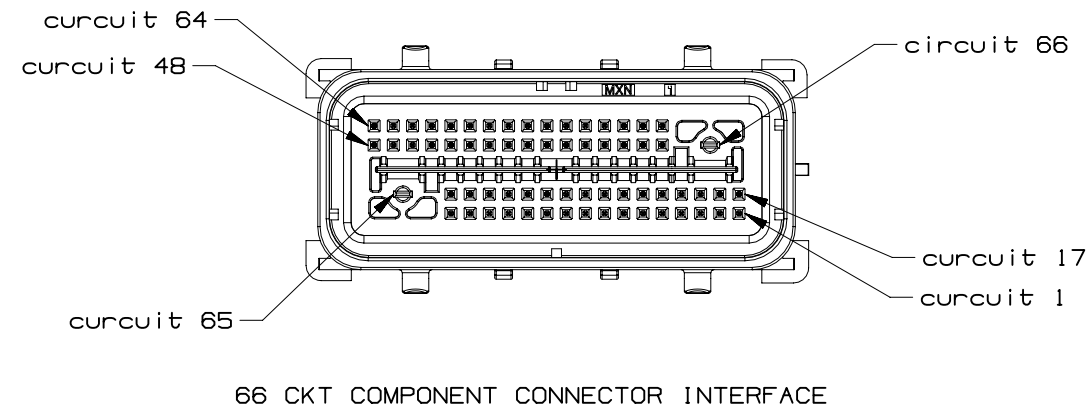
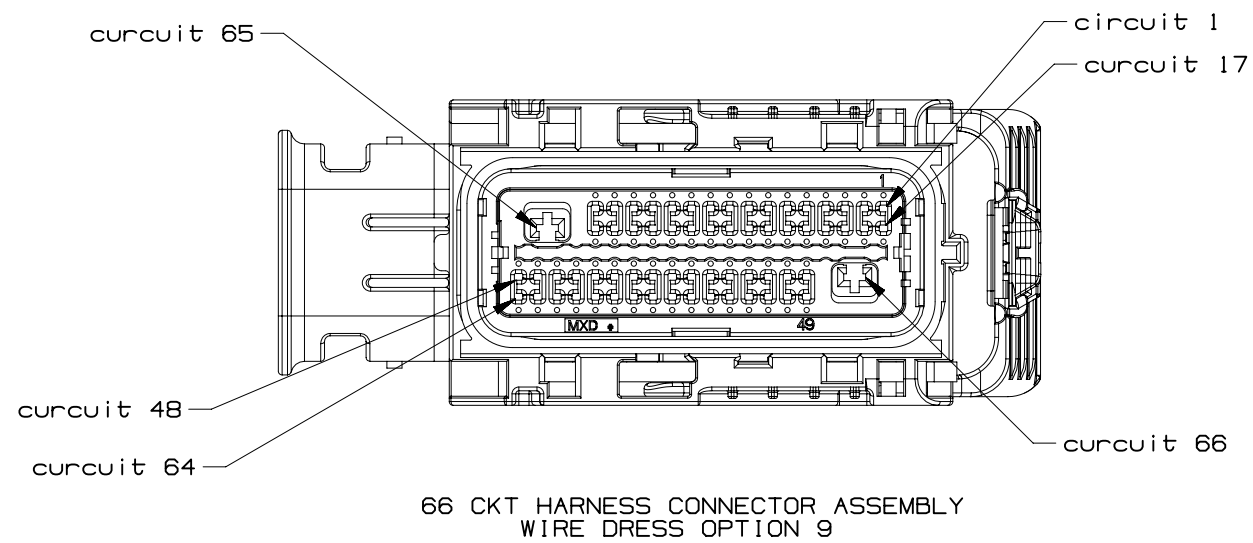
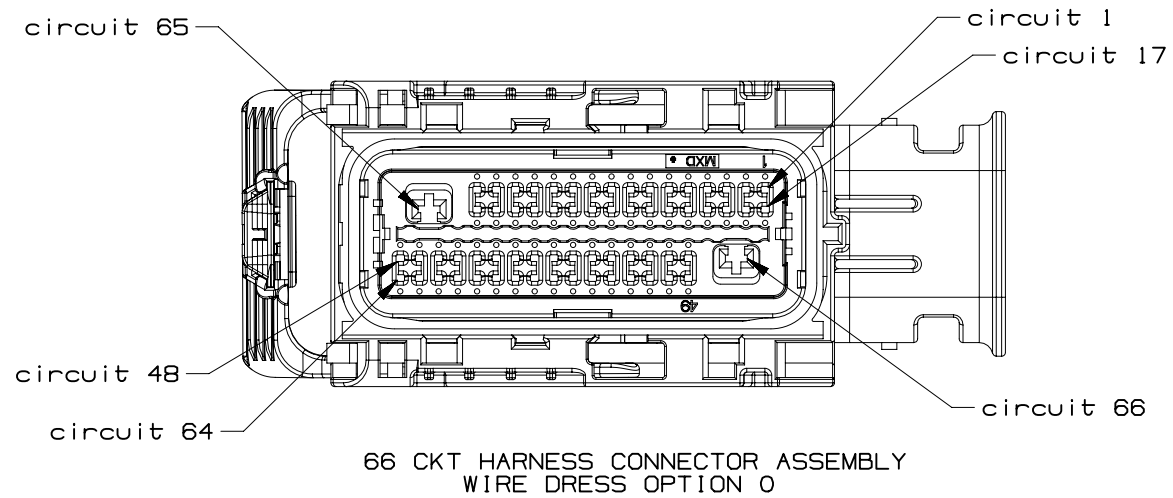



73 CKT COMPONENT CONNECTOR INTERFACE

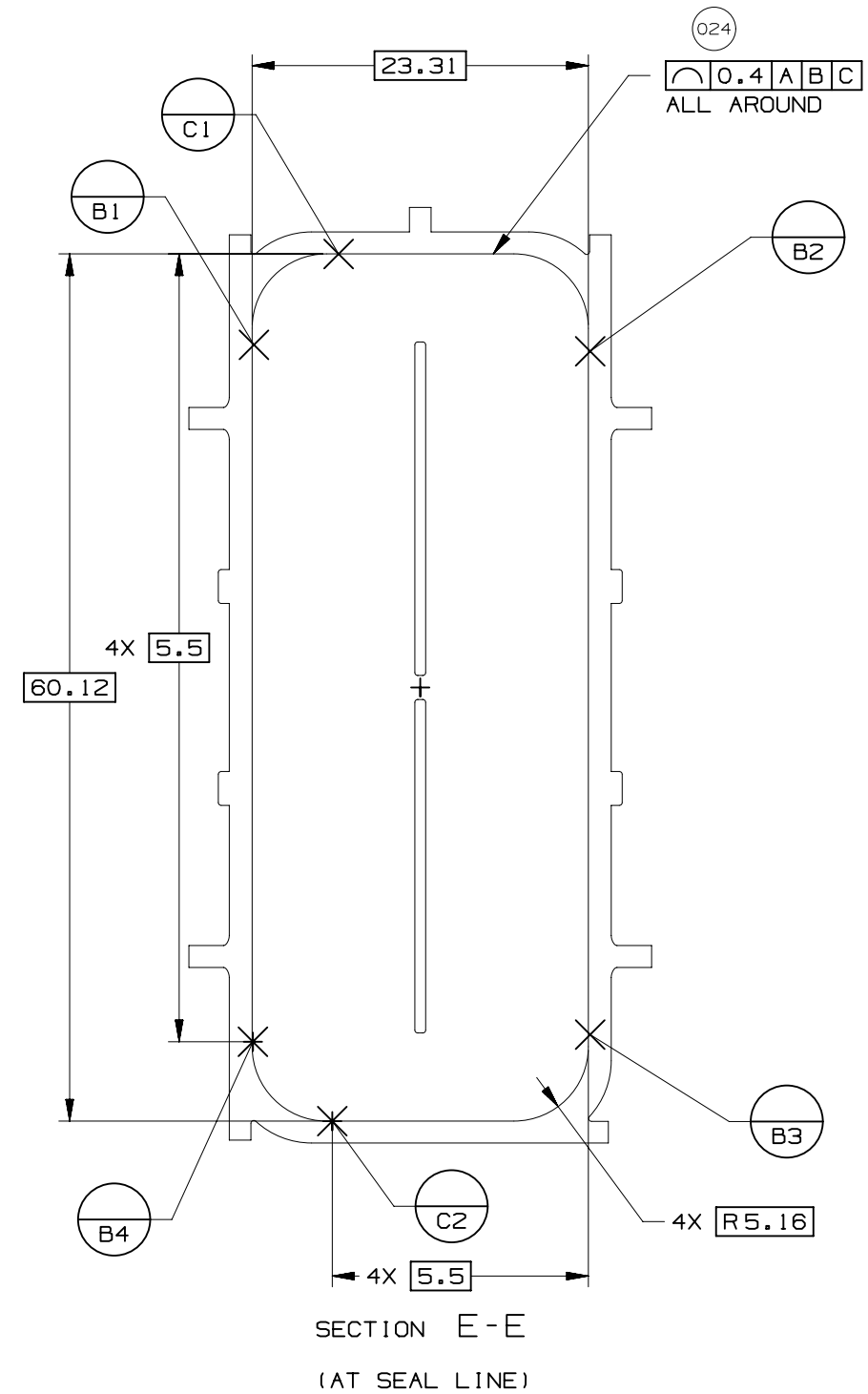
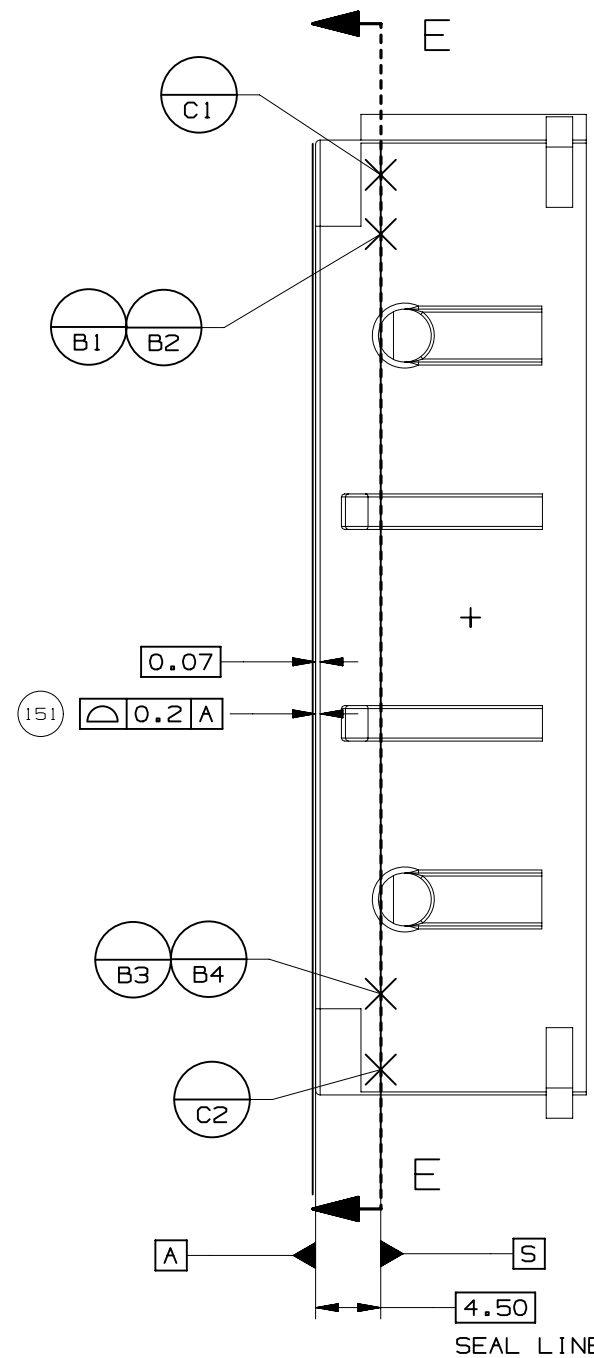
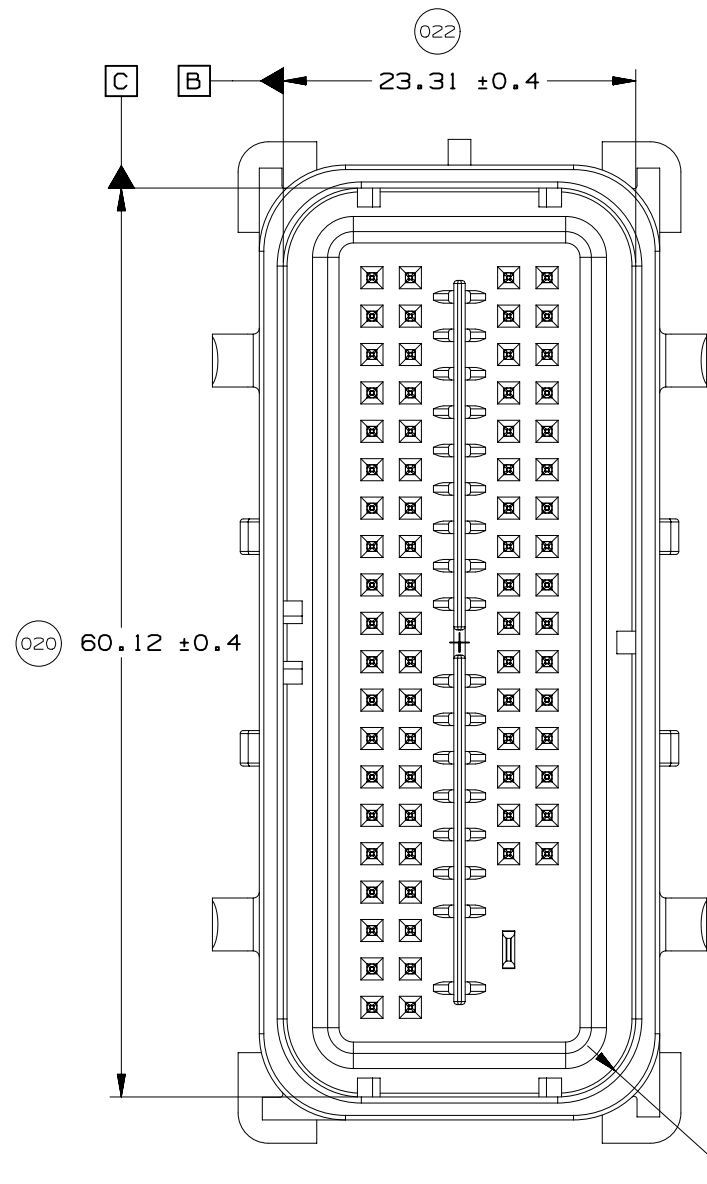
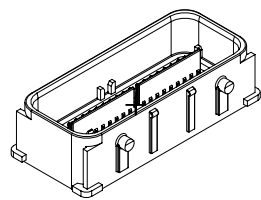


80 CKT COMPONENT CONNECTOR INTERFACE





	PAGE TITLE	DRAWING NUMBER	DWG STATUS			PAGE NUMBER	
	CIRCUIT CONFIGURATIONS		12642695	ST	REV	PDI	14 of 21
				R	002		



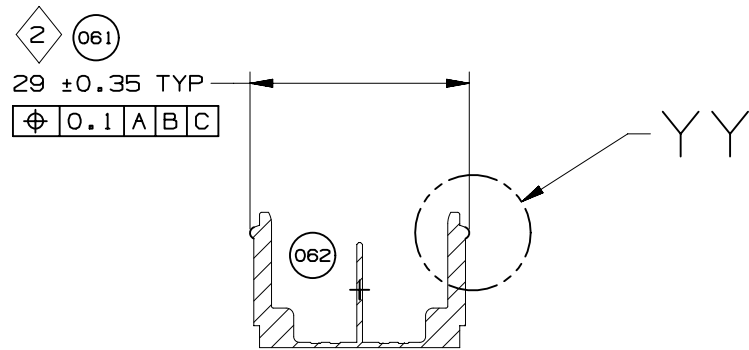
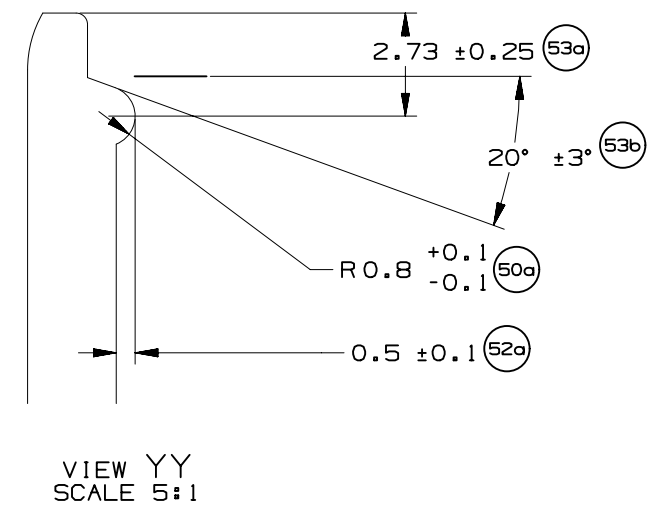
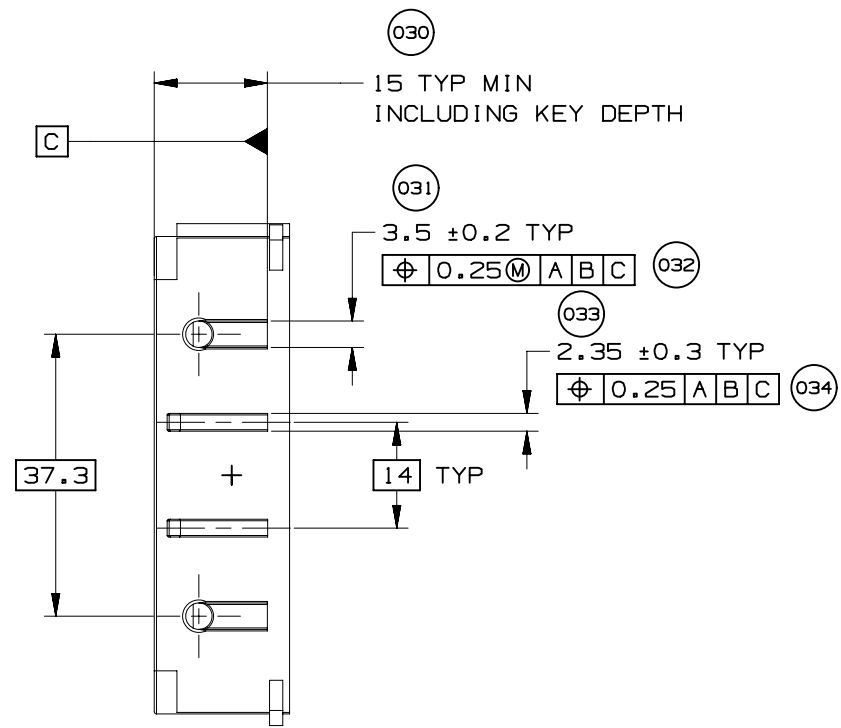
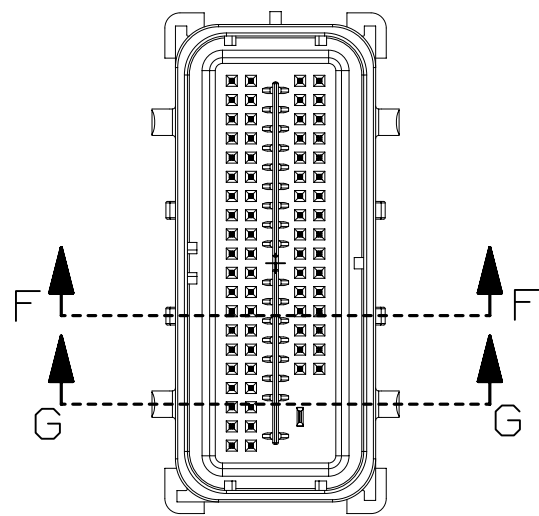
UNLESS SPECIFIED, TOLERANCE OF THE COMPONENT CONNECTOR INTERFACE TO BE $\sqrt[0.13]{A B C}$



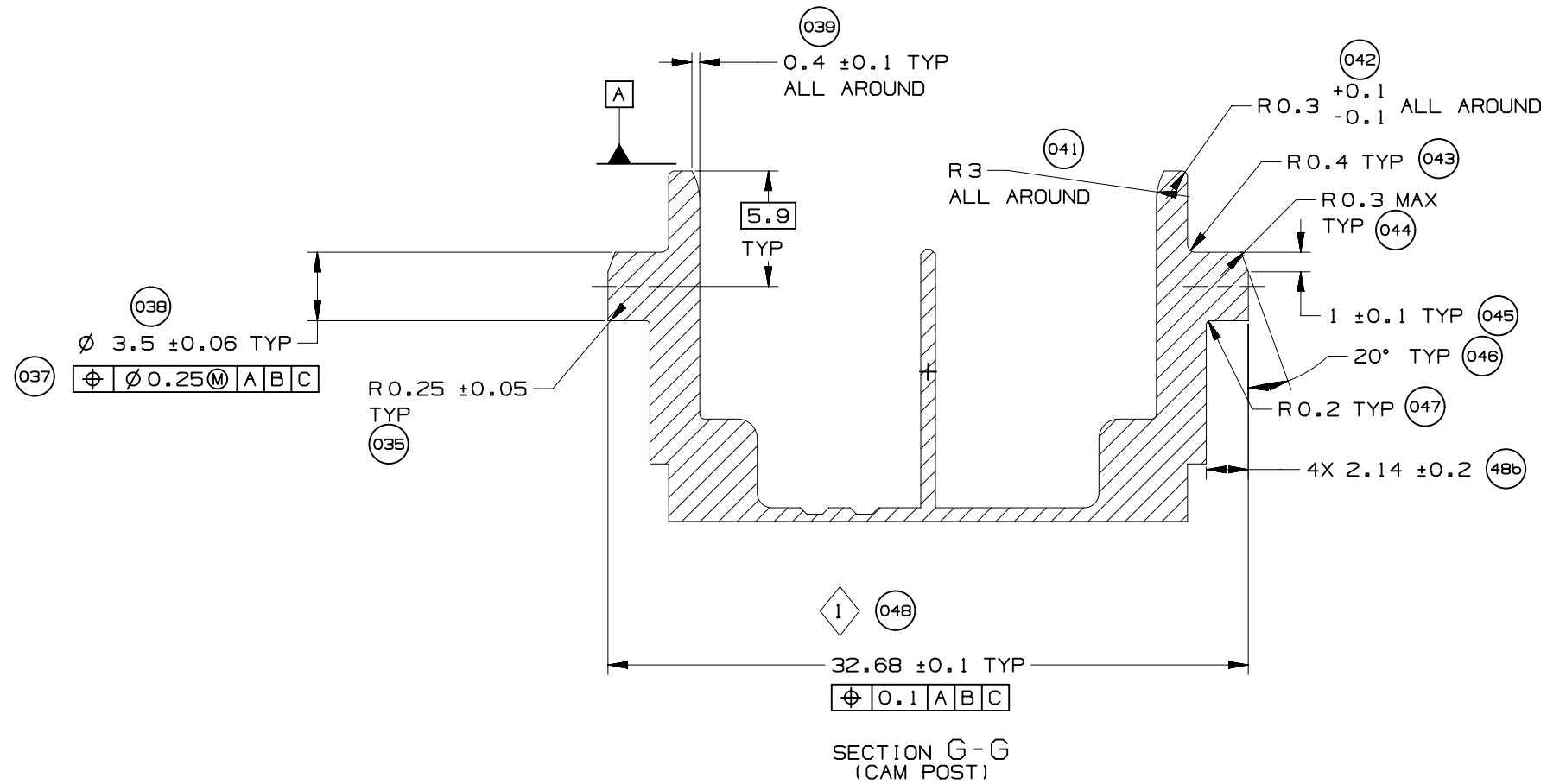
PAGE TITLE
COMPONENT CONNECTOR INTERFACE

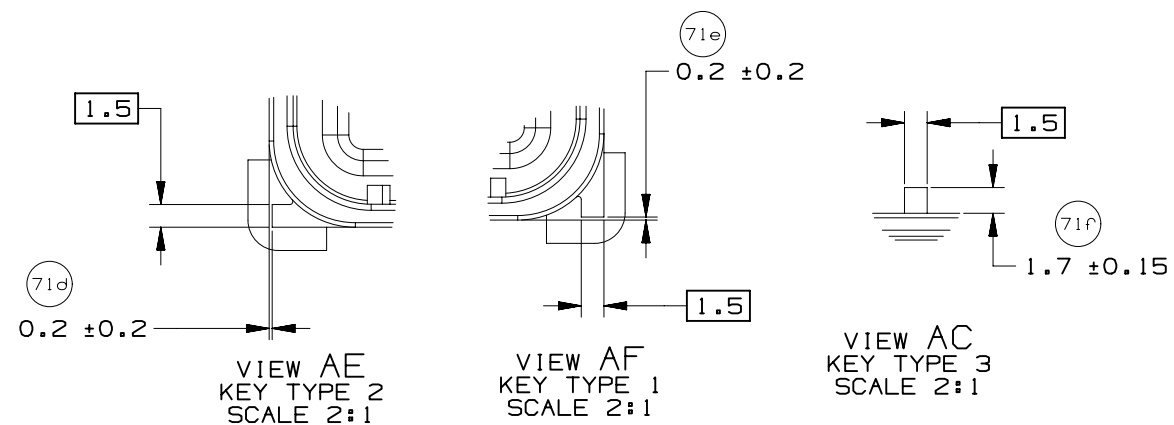
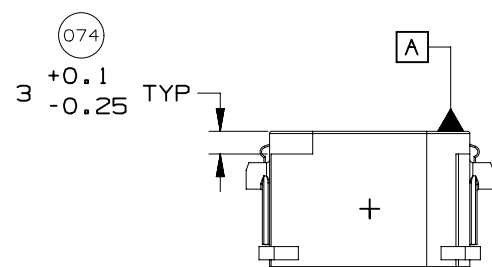
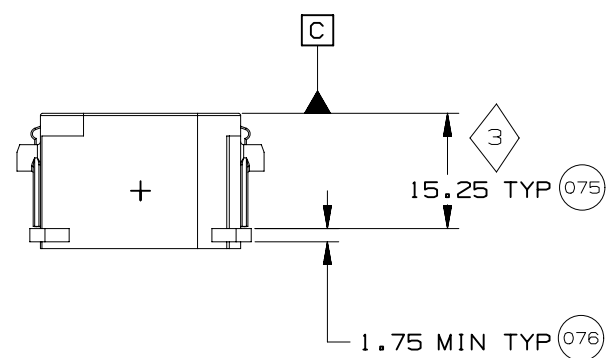
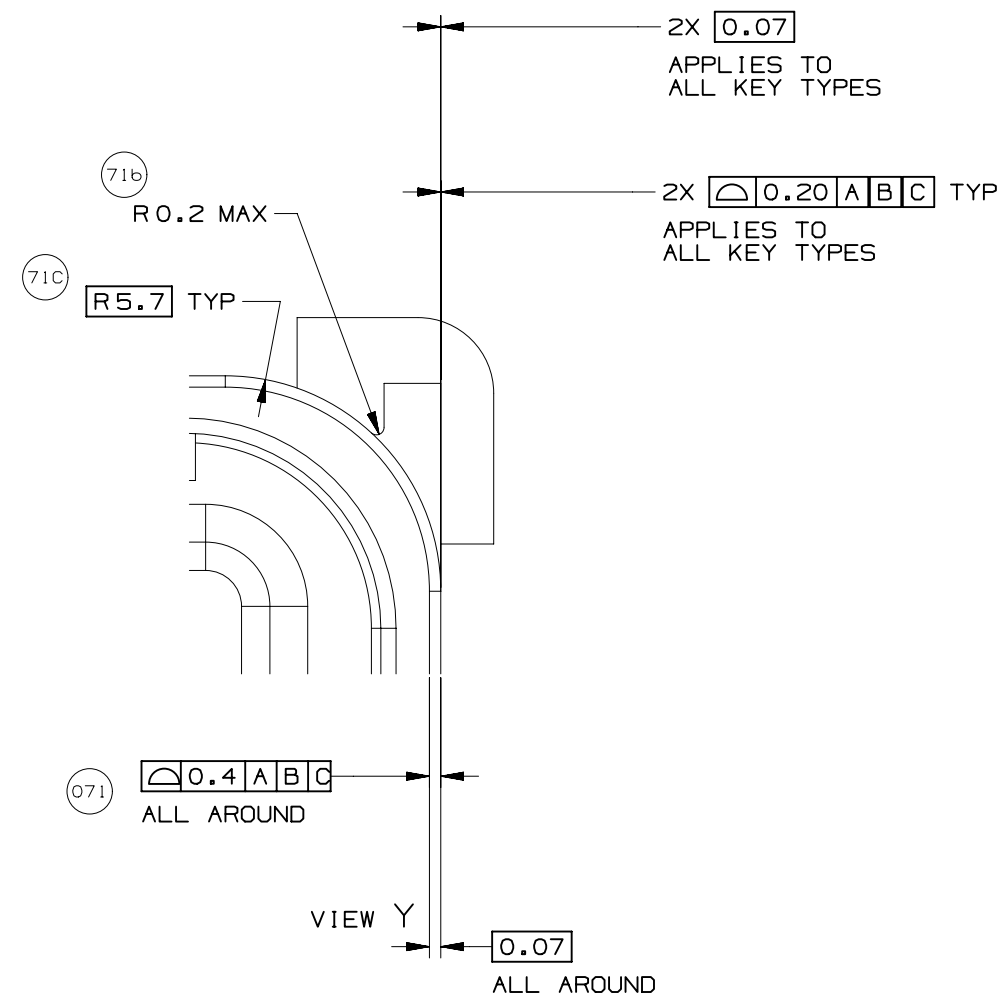
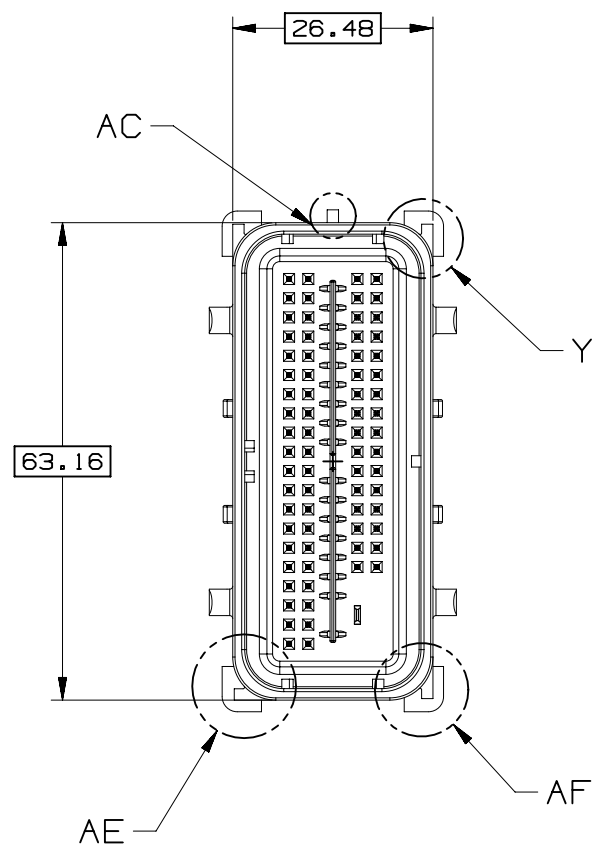
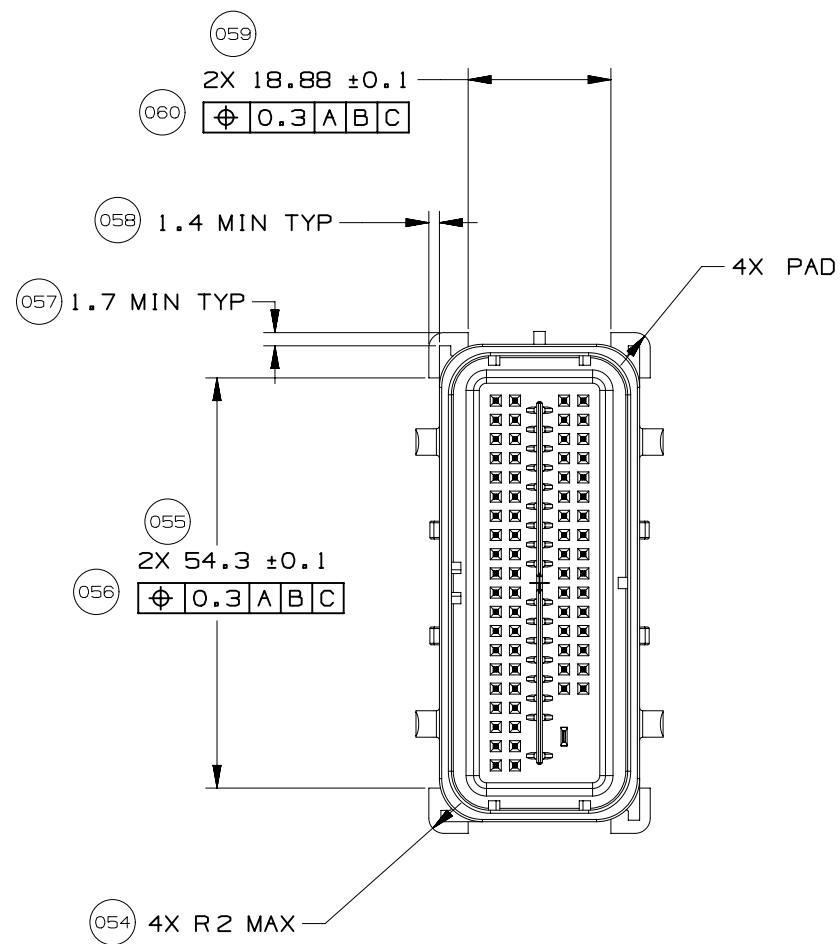
DRAWING NUMBER
12642695

DWG STATUS			PAGE NUMBER
ST	REV	PD1	
R	002		15 OF 21



SECTION F-F

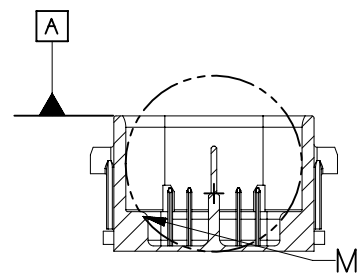
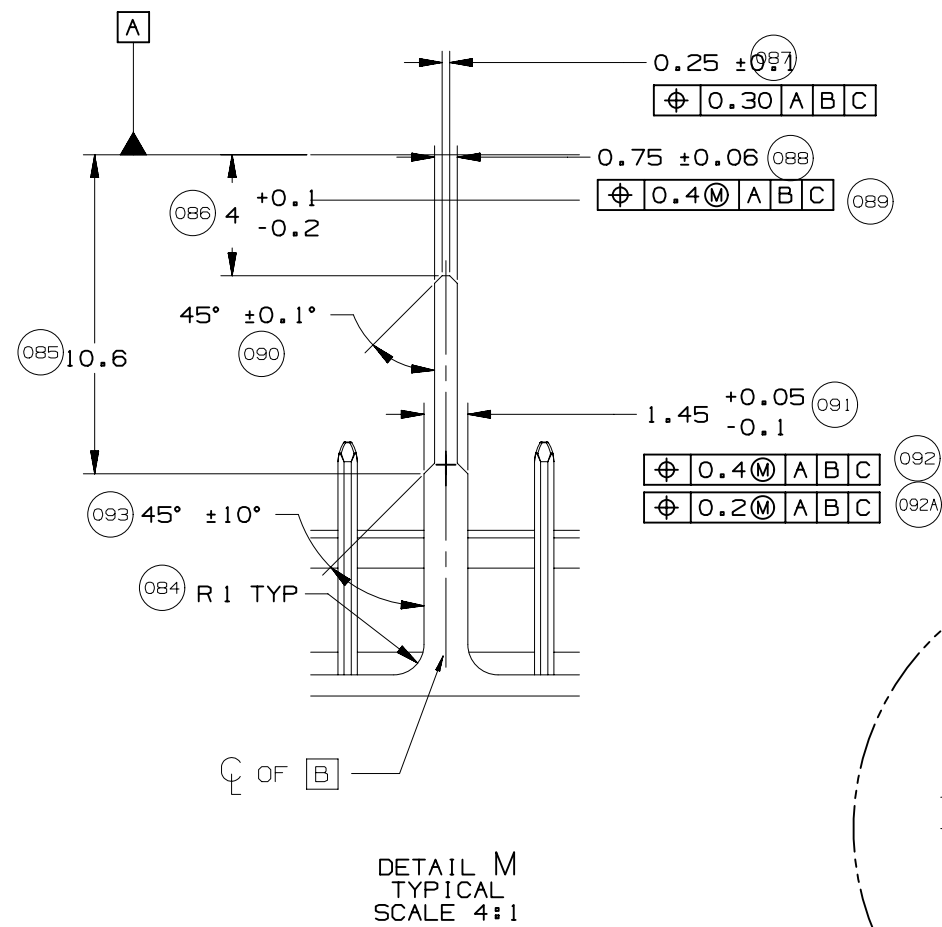
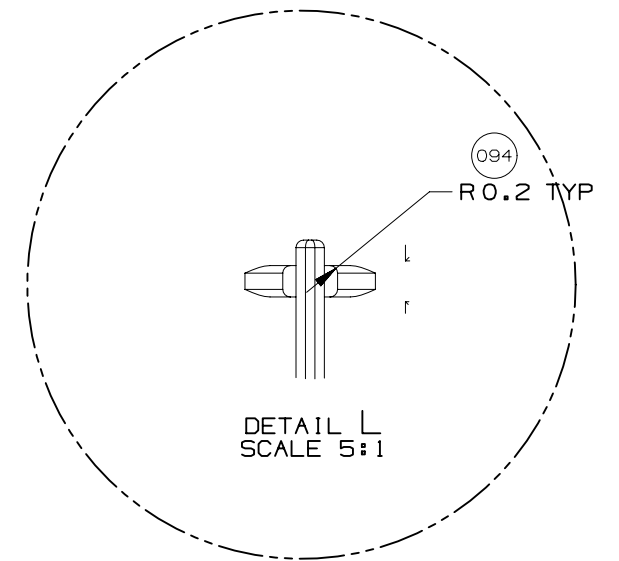
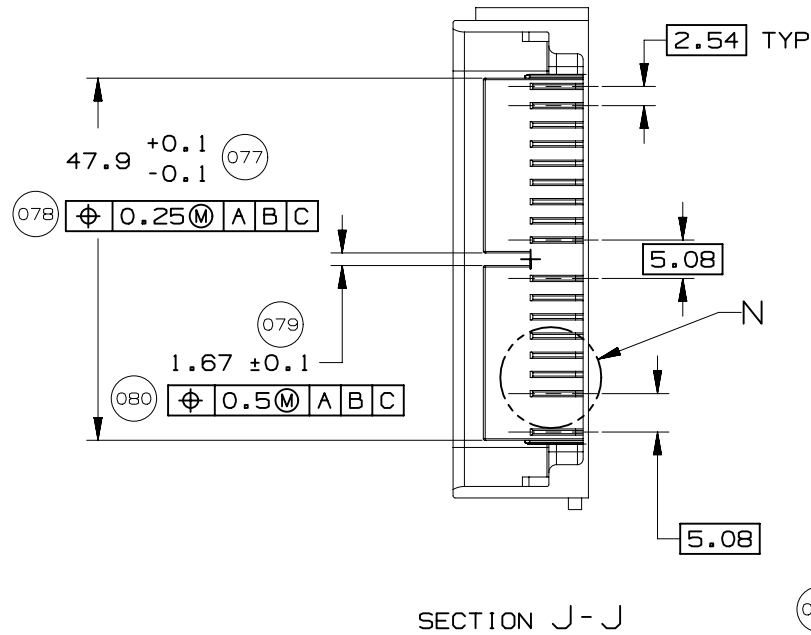
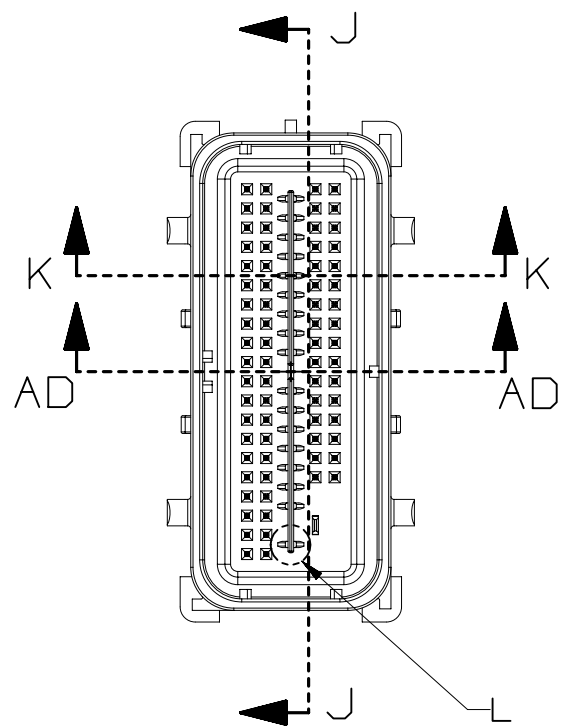




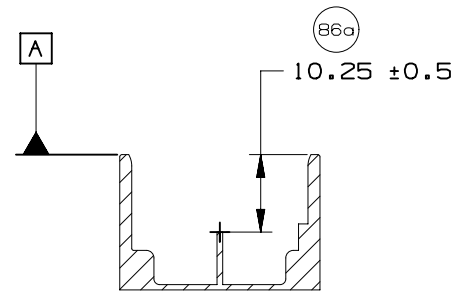
PAGE TITLE
 COMPONENT CONNECTOR INTERFACE

DRAWING NUMBER
 12642695

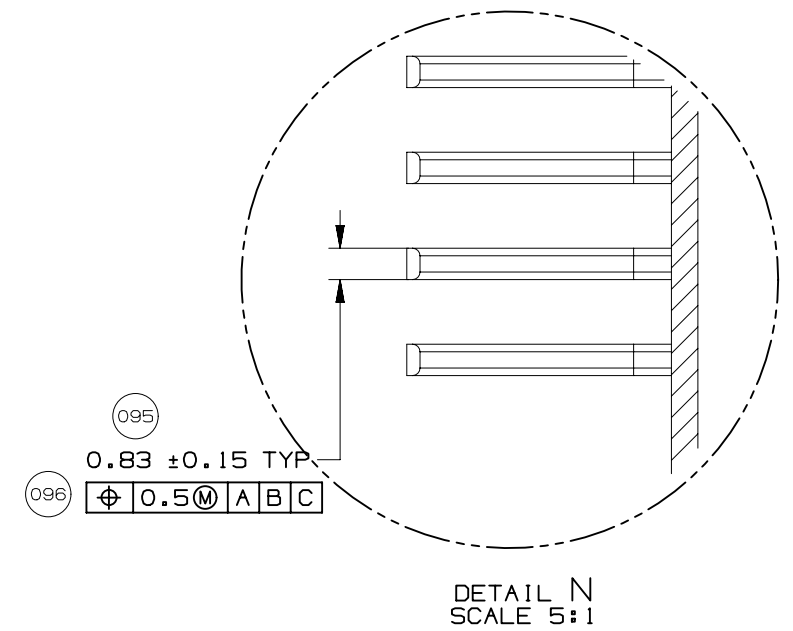
DWG STATUS			PAGE NUMBER
ST	REV	PD1	
R	002		17 OF 21

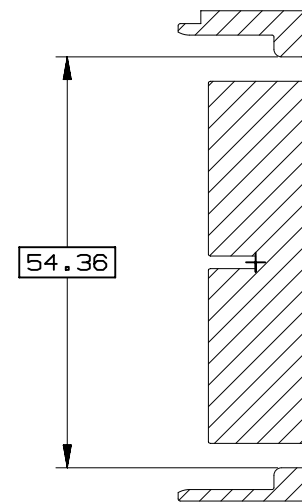
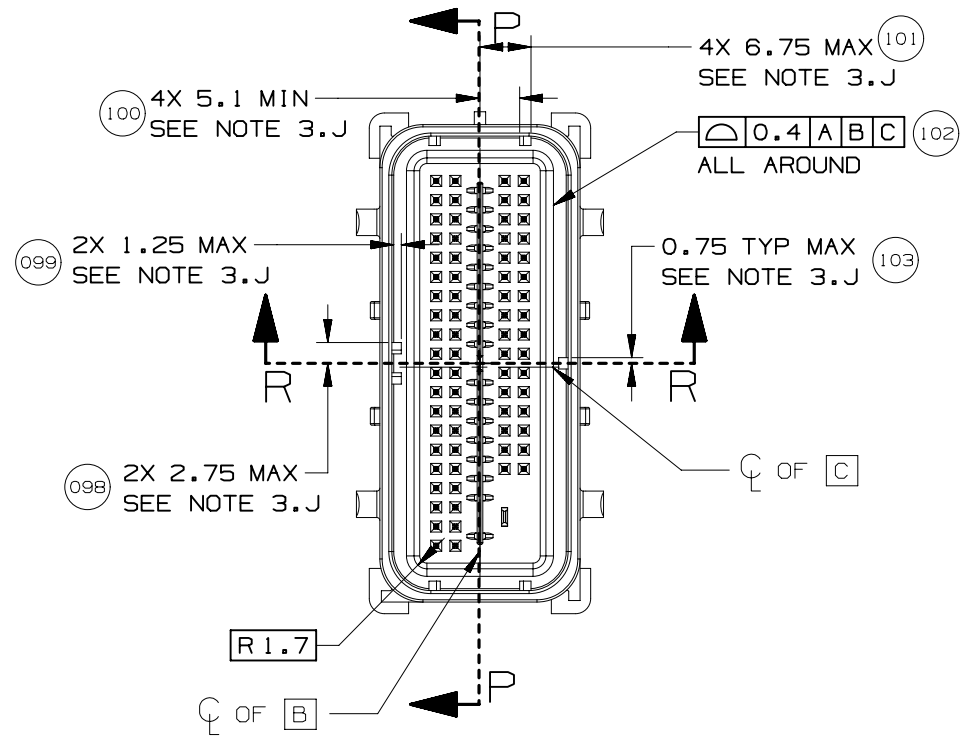


SECTION K-K

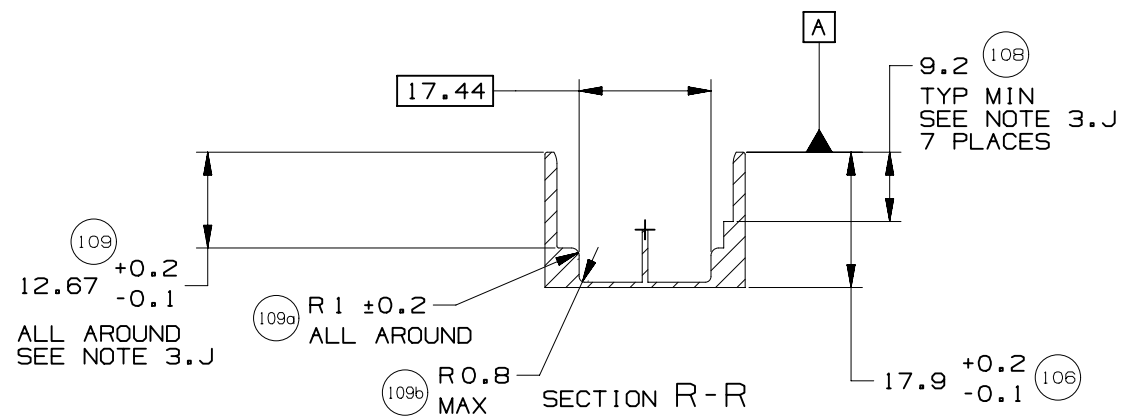


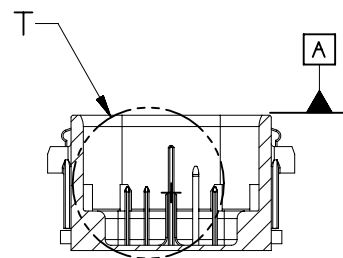
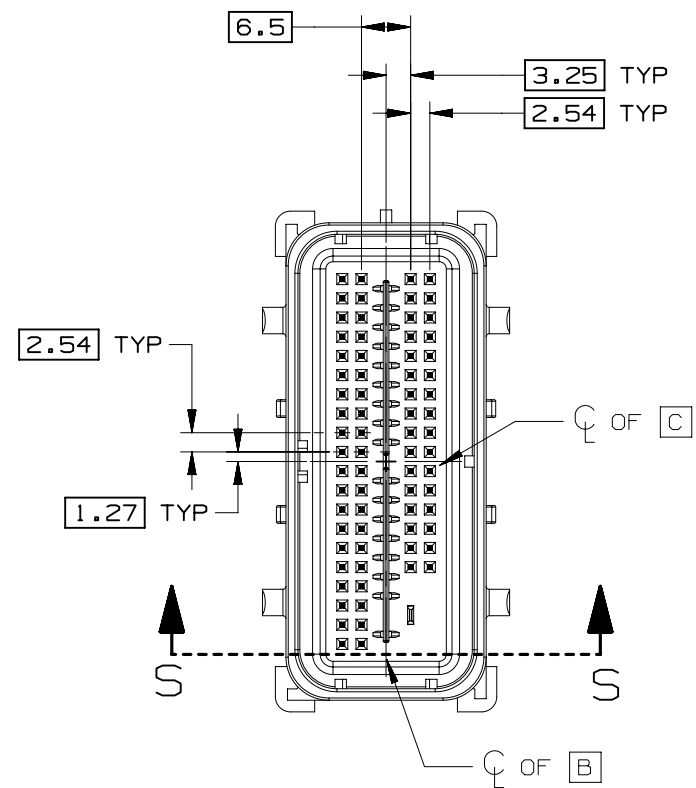
SECTION AD-AD



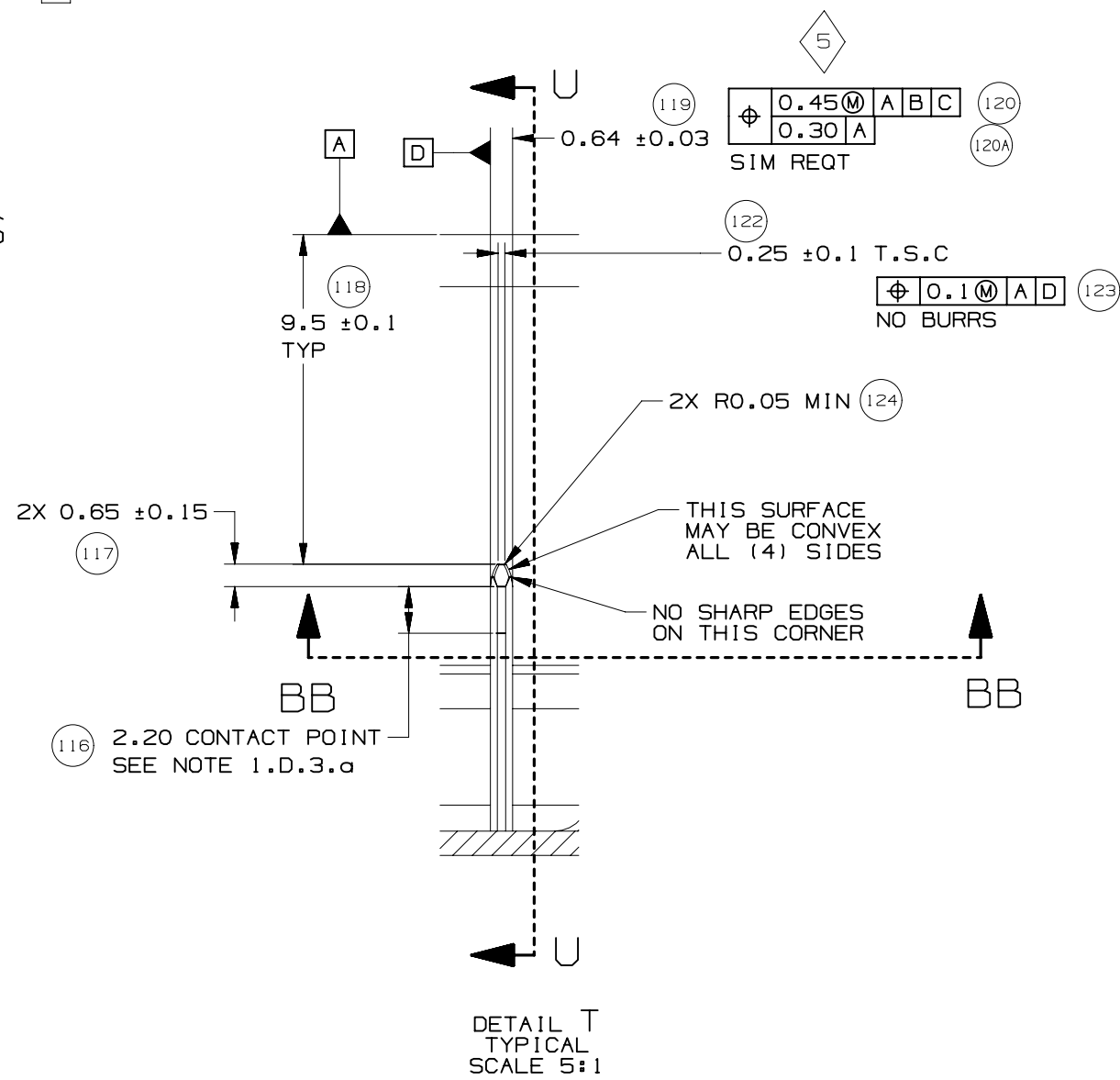


SECTION P-P

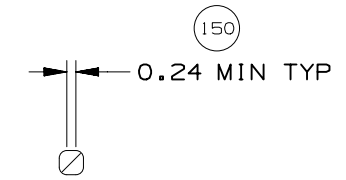




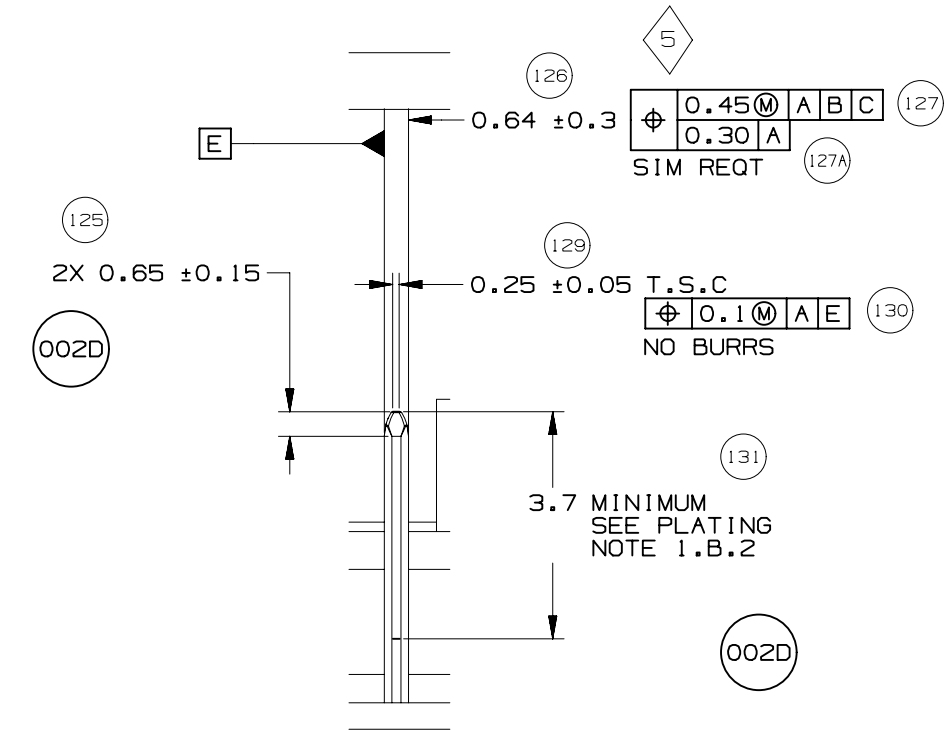
SECTION S-S



DETAIL T
TYPICAL
SCALE 5:1

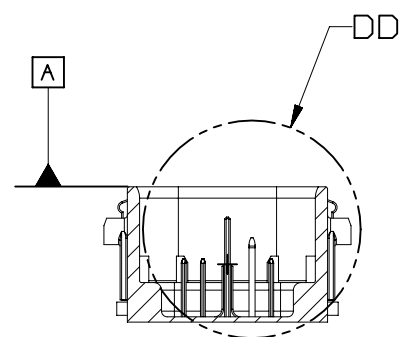
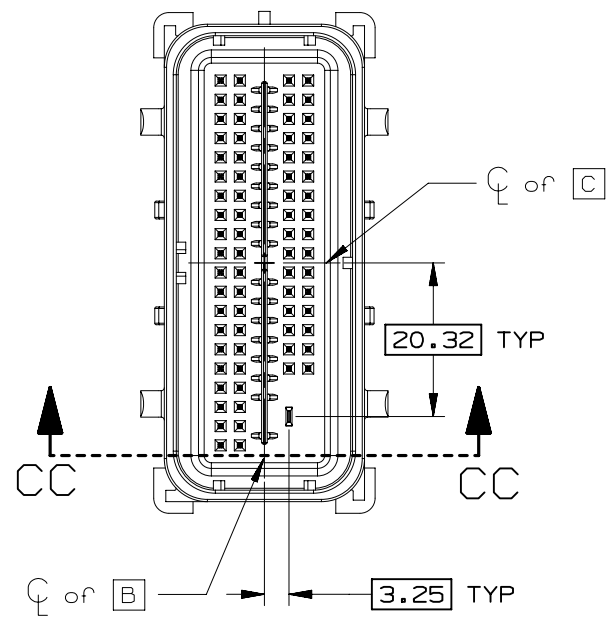


SECTION BB-BB

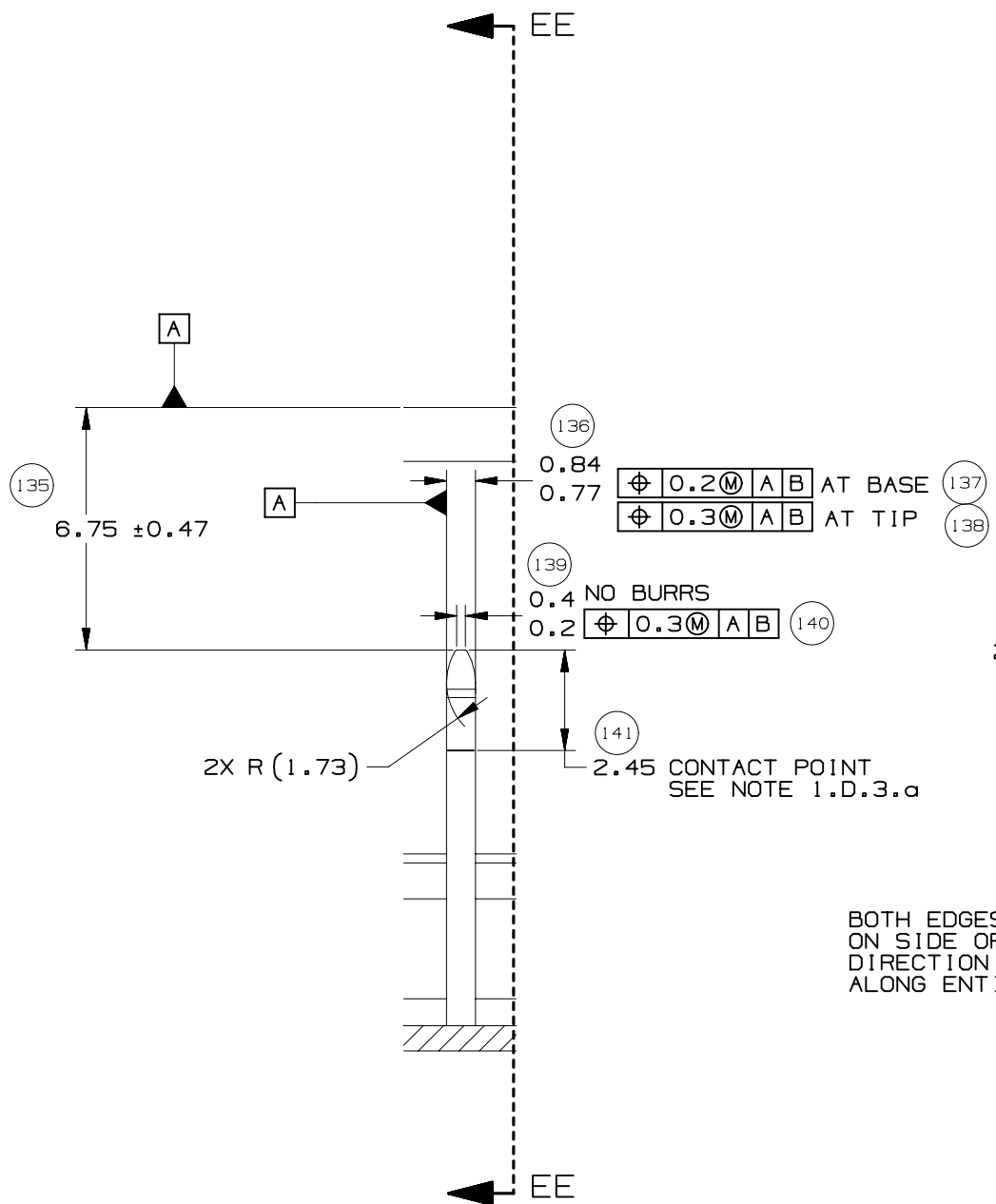


SECTION U-U

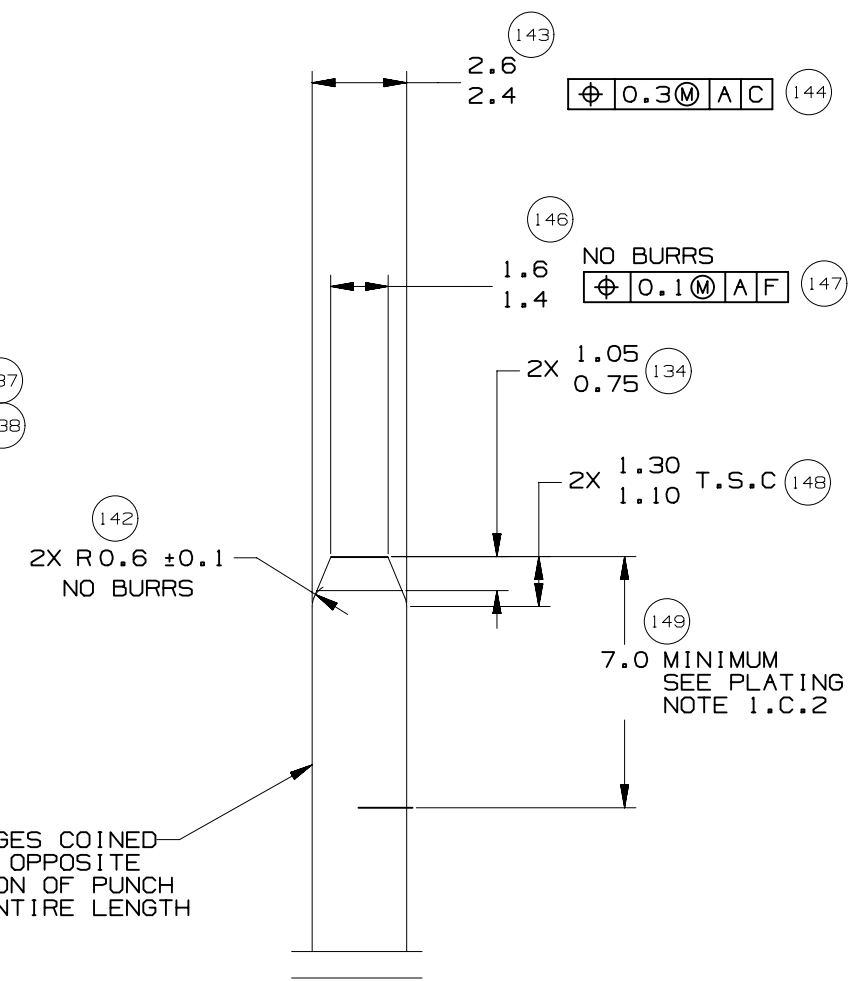




SECTION CC-CC



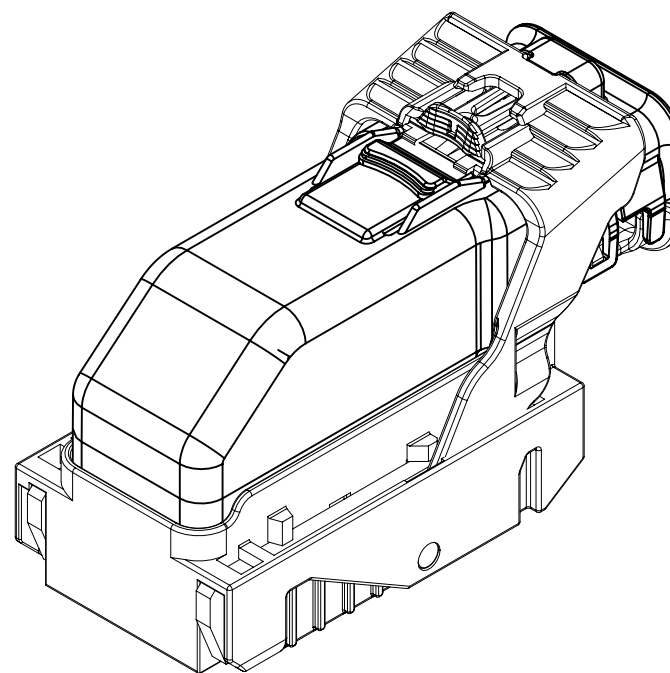
DETAIL DD
TYPICAL
SCALE 5:1




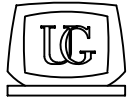
SECTION EE-EE
TYPICAL

BOTH EDGES COINED
ON SIDE OPPOSITE
DIRECTION OF PUNCH
ALONG ENTIRE LENGTH

INDEX	
PAGE TITLE	PAGE
TITLE BLOCK	1
REVISION BLOCK	2
PART BLOCK	3
KPC BLOCK	4
COMPONENT TABLE	5
NOTES	6
NOTES	7
WIRE DRESS PACKAGING DIMENSIONS	8
LOCATION AND PACKAGING DIMENSIONS REFERENCING INTERFACE DATUMS B & C	9
LOCATION AND PACKAGING DIMENSIONS REFERENCING INTERFACE DATUM A	10
KEY ID REF - WIRE DRESS OPTION 0	11
KEY ID REF - WIRE DRESS OPTION 9	12
CIRCUIT CONFIGURATIONS	13
CIRCUIT CONFIGURATIONS	14
COMPONENT CONNECTOR INTERFACE	15
COMPONENT CONNECTOR INTERFACE	16
COMPONENT CONNECTOR INTERFACE	17
COMPONENT CONNECTOR INTERFACE	18
COMPONENT CONNECTOR INTERFACE	19
COMPONENT CONNECTOR INTERFACE	20
COMPONENT CONNECTOR INTERFACE	21
ADDITIONAL COMPONENTS REQUIRED	22




ISO VIEW

	UNLESS OTHERWISE SPECIFIED: THIS DOCUMENT IS IN ACCORDANCE WITH ASME Y14.5M-1994 AS AMMENDED BY THE GM GLOBAL DIMENSIONING AND TOLERANCING ADDENDUM-1997. ALL GEOMETRIC TOLERANCES AND RELATED DATUMS APPLY RFS. RULE #1 (PERFECT FORM AT MMC) DOES NOT APPLY WHEN A RELATIONSHIP BETWEEN FEATURES IS ESTABLISHED BY ORIENTATION OR LOCATION TOLERANCES. SEPARATE POSITION CALLOUTS MAY BE GAGED SEPARATELY REGARDLESS OF DATUM REFERENCES.			DATE							
	 CHANGE RESTRICTED NO MANUAL CHANGES	REFERENCE 12H (MOLEX AUTOMOTIVE)	DRAFTER APVD1 APVD2 APVD3 APVD4 APVD5	05JN15							
DO NOT SCALE		DRAWING NAME HARNESS CONN ASM-SEALED 52/66/73/80 CKTS, MX123									
METRIC DIMENSIONS SHOWN IN MILLIMETERS UNLESS OTHERWISE SPECIFIED											
		DRAWING NUMBER 12672833		PAGE NUMBER							
				<table border="1"> <thead> <tr> <th colspan="3">DWG STATUS</th> </tr> <tr> <th>ST</th> <th>REV</th> <th>PD1</th> </tr> </thead> <tbody> <tr> <td style="text-align: center;">R</td> <td style="text-align: center;">001</td> <td></td> </tr> </tbody> </table>	DWG STATUS			ST	REV	PD1	R
DWG STATUS											
ST	REV	PD1									
R	001										
		1 OF 22									

PAGE	DWG STATUS					REVISION HISTORY	AUTH	DR	CK	ENG
	DATE	ST	REV	CHG	PDI					
	05JN15	R	001			RELEASED TO PRODUCTION AT DLS A	CRMRJE	DFK		

PAGE	DWG STATUS					REVISION HISTORY	AUTH	DR	CK	ENG
	DATE	ST	REV	CHG	PDI					

	PAGE TITLE	DRAWING NUMBER	DWG STATUS			PAGE NUMBER	
	REVISION BLOCK		12672833	ST	REV	PDI	2 OF 22
				R	001		

KEY PRODUCT CHARACTERISTICS
(IN ACCORDANCE WITH QN 1805 OR ON 1050)



SAFETY/COMPLIANCE

TOTAL ON
DRAWING

4



FIT/FUNCTION

LAST NO.
USED

4

NO	TYPE	DESCRIPTION	RATIONALE	PAGE/ZONE
1	F/F	32.68	IMPROVE CONNECTOR SYSTEM MATING	16
2	F/F	29.00	INSURE PROPER RELEASE OF LEVER	16
3	F/F	15.25	INSURE FINAL MATE POSITION	17
4	F/F	POSITIONAL TOLERANCE (2 PLACES)	INSURE CONNECTOR SYSTEM MATEABILITY	20



PAGE TITLE
KPC BLOCK

DRAWING NUMBER

12672833

DWG STATUS

ST	REV	PDI
----	-----	-----

R	001	
---	-----	--

PAGE NUMBER

4 OF 22

LINE	MFG.	MFG. P/N	GM P/N	EFFECTIVE DATE	APPLICABLE COMPONENTS	KEY OPTION	WIRE DRESS OPTION	KEY CONFIG.	COLOR	STATUS
					DESCRIPTION					
-										
1	MOLEX	34565-0003	12582676	02JN03	MX123 DRESS COVER 52/66/73/80 CKT	N/A	N/A	N/A	BLACK	AVAILABLE
2	MOLEX	160094-0001	12672852	01SP13	MX123 HRNS CONN ASSY 52 CKT	A	0	1458	BLACK	AVAILABLE
3	MOLEX	160094-0003	12672854	01SP13	MX123 HRNS CONN ASSY 52 CKT	C	0	2467	BLUE	AVAILABLE
4	MOLEX	160094-0013	12672853	01SP13	MX123 HRNS CONN ASSY 52 CKT	A	9	1458	BLACK	AVAILABLE
5	MOLEX	160094-0015	12672855	01SP13	MX123 HRNS CONN ASSY 52 CKT	C	9	2467	BLUE	AVAILABLE
6	MOLEX	34822-0013	12672856	01SP13	MX123 HRNS CONN ASSY 66 CKT	A	0	1458	BLACK	AVAILABLE
7	MOLEX	34822-0033	12672858	01SP13	MX123 HRNS CONN ASSY 66 CKT	C	0	2467	BLUE	AVAILABLE
8	MOLEX	34822-0023	12672857	01SP13	MX123 HRNS CONN ASSY 66 CKT	A	9	1458	BLACK	AVAILABLE
9	MOLEX	34822-0043	12672859	01SP13	MX123 HRNS CONN ASSY 66 CKT	C	9	2467	BLUE	AVAILABLE
10	MOLEX	34566-0103	12672860	11JN04	MX123 HRNS CONN ASSY 73 CKT	A	0	1458	BLACK	AVAILABLE
11	MOLEX	34566-0203	12672862	11JN04	MX123 HRNS CONN ASSY 73 CKT	B	0	1468	ST GRAY	AVAILABLE
12	MOLEX	34566-0303	12672864	09AP08	MX123 HRNS CONN ASSY 73 CKT	C	0	2467	BLUE	AVAILABLE
13	MOLEX	34566-0603	12672866	05DC14	MX123 HRNS CONN ASSY 73 CKT	F	0	1357	NATURAL	AVAILABLE
14	MOLEX	34566-1303	12672861	11JN04	MX123 HRNS CONN ASSY 73 CKT	A	9	1458	BLACK	AVAILABLE
15	MOLEX	34566-1403	12672863	11JN04	MX123 HRNS CONN ASSY 73 CKT	B	9	1468	ST GRAY	AVAILABLE
16	MOLEX	34566-1503	12672865	09AP08	MX123 HRNS CONN ASSY 73 CKT	C	9	2467	BLUE	AVAILABLE
17	MOLEX	34566-1803	12672867	05DC14	MX123 HRNS CONN ASSY 73 CKT	F	9	1357	NATURAL	AVAILABLE
18	MOLEX	34566-0703	12672872	09AP08	MX123 HRNS CONN ASSY 80 CKT	G	0	1358	BLUE	AVAILABLE
19	MOLEX	34566-0803	12672870	11JN04	MX123 HRNS CONN ASSY 80 CKT	H	0	2458	ST GRAY	AVAILABLE
20	MOLEX	34566-0903	12672868	T.B.D	MX123 HRNS CONN ASSY 80 CKT	J	0	2457	BLACK	NOT ACTIVE
21	MOLEX	34566-1903	12672873	09AP08	MX123 HRNS CONN ASSY 80 CKT	G	9	1358	BLUE	AVAILABLE
22	MOLEX	34566-2003	12672871	11JN04	MX123 HRNS CONN ASSY 80 CKT	H	9	2458	ST GRAY	AVAILABLE
23	MOLEX	34566-2103	12672869	T.B.D	MX123 HRNS CONN ASSY 80 CKT	J	9	2457	BLACK	NOT ACTIVE
24	MOLEX	34736-0028	12672851	01AU10	MX64 RCPT TERM Ag 0.5mm/0.75mm ISO GAGE B (RIGHT PAYOFF)	N/A	N/A	N/A	N/A	AVAILABLE
25	MOLEX	34736-0026	12672850	01AU10	MX64 RCPT TERM Ag 0.35mm ISO GAGE B (RIGHT PAYOFF)	N/A	N/A	N/A	N/A	AVAILABLE
26	MOLEX	34586-0001	12674820	11JN04	MX123 0.64mm GROMMET PLUG	N/A	N/A	N/A	NATURAL	AVAILABLE
27	YAZAKI	7116-4150-02	12588066	02JN03	2.8mm YESC SEALED FEMALE TERMINAL TIN 0.35mm2-0.50mm2	N/A	N/A	N/A	N/A	NOT ACTIVE
28	YAZAKI	7116-4151-02	12588067	02JN03	2.8mm YESC SEALED FEMALE TERMINAL TIN 0.75mm2-1.0mm2	N/A	N/A	N/A	N/A	NOT ACTIVE
29	YAZAKI	7116-4152-02	12582685	02JN03	2.8mm YESC SEALED FEMALE TERMINAL TIN 1.5mm2-2.5mm2	N/A	N/A	N/A	N/A	AVAILABLE
30	YAZAKI	7158-3111-60	12588068	02JN03	2.8mm CABLE SEAL (wire O.D. range 1.2mm-1.9mm)	N/A	N/A	N/A	GREEN	NOT ACTIVE
31	YAZAKI	7158-3112-70	12588069	02JN03	2.8mm CABLE SEAL (wire O.D. range 1.8mm-2.3mm)	N/A	N/A	N/A	YELLOW	NOT ACTIVE
32	YAZAKI	7158-3113-40	12582686	02JN03	2.8mm CABLE SEAL (wire O.D. range 2.1mm-3.0mm)	N/A	N/A	N/A	WHITE	AVAILABLE
33	YAZAKI	7158-3114-90	12674821	02JN03	2.8mm YESC CAVITY PLUG	N/A	N/A	N/A	BLUE	AVAILABLE
34	MOLEX	63825-8400	N/A	02JN03	MX64 TERM HAND CRIMP TOOL	N/A	N/A	N/A	N/A	AVAILABLE
35	MOLEX	63813-1400	XX019826	02JN03	MX64 TERM SERVICE TOOL	N/A	N/A	N/A	N/A	AVAILABLE
36	MOLEX	63902-5300	N/A	02JN03	MX64 CRIMP APPLICATOR with TOOL KIT 0.5/0.75mm2 PAYOFF DIRECTION D (left payoff) (contact Molex for payoff detail)	N/A	N/A	N/A	N/A	AVAILABLE
37	MOLEX	63902-5370	N/A	02JN03	MX64 APPLICATOR TOOL KIT 0.5/0.75mm2	N/A	N/A	N/A	N/A	AVAILABLE
38	MOLEX	63902-5100	N/A	02JN03	MX64 CRIMP APPLICATOR with TOOL KIT 0.35mm2 PAYOFF DIRECTION D (left payoff) (contact Molex for payoff detail)	N/A	N/A	N/A	N/A	AVAILABLE
39	MOLEX	63902-5170	N/A	02JN03	MX64 APPLICATOR TOOL KIT 0.35mm2	N/A	N/A	N/A	N/A	AVAILABLE
40	SPX	J35616-64	T.B.D.	02JN03	0.64mm PROBE TOOL (for rcpt)	N/A	N/A	N/A	N/A	AVAILABLE
41	SPX	J35616-64A	T.B.D.	02JN03	0.64mm PROBE TOOL WITH EXT (for rcpt)	N/A	N/A	N/A	N/A	AVAILABLE
42	SPX	J35616-65	T.B.D.	02JN03	0.64mm PROBE TOOL WITH EXT (for pin)	N/A	N/A	N/A	N/A	AVAILABLE
43	SPX	J35616-4A	T.B.D.	02JN03	2.8mm PROBE TOOL (for rcpt)	N/A	N/A	N/A	N/A	AVAILABLE
44	YAZAKI	X39899-J374	12094430	02JN03	2.8mm TERM SERVICE TOOL	N/A	N/A	N/A	N/A	AVAILABLE
45	TQI	7000-1006	N/A	15JN15	52 CKT PASS THROUGH ADAPTERS	N/A	N/A	N/A	BLACK	AVAILABLE
46	TQI	7000-1002	N/A	15JN15	66 CKT PASS THROUGH ADAPTERS	N/A	N/A	N/A	BLACK	AVAILABLE
47	TQI	79917-0061	N/A	15JN15	73 CKT PASS THROUGH ADAPTERS	N/A	N/A	N/A	BLACK	AVAILABLE
48	TQI	79917-0066	N/A	15JN15	80 CKT PASS THROUGH ADAPTERS	N/A	N/A	N/A	BLACK	AVAILABLE

* - MX123 DRESS COVER 52/66/73/80 CKT MATES TO ANY MX123 HARN CONN ASSY SHOWN ON TABLE ABOVE



PAGE TITLE
COMPONENT TABLE

DRAWING NUMBER

12672833

DWG STATUS

ST REV PDI

R 001

PAGE NUMBER

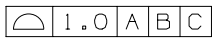
5 OF 22

NOTES: UNLESS OTHERWISE SPECIFIED

1. MATERIAL FOR INTERFACE:

- A. RESIN:
 - 1. 30% G.F. PBT; 20% MAX. (BY WEIGHT) REGRIND.
 - 2. MATING CONNECTOR INTERFACE PART COLOR MUST BE SAME AS MATCHING KEYED HARNESS CONNECTOR ASSEMBLY.
 - 3. MUST BE VALIDATED FOR INDIVIDUAL DEVICE APPLICATION REQUIREMENTS.
- B. 0.64MM PINS:
 - 1. BASE MATERIAL: COPPER ALLOY; CONDUCTIVITY >= 28% IACS AT 20°C; TENSILE STRENGTH >= 635 N/mm²; SURFACE ROUGHNESS R_a 6 MAX.
 - 2. PLATING FINISH: SILVER (Ag). PLATING TO BE 1.9-3.3 μm ELECTRODEPOSITED SEMI-BRIGHT SILVER OVER 1.25-2.25 μm DUCTILE SULPHAMATE NICKEL PER NOTE 1(D).
 - 3. ANTI-TARNISH: SYNTHETIC HYDROCARBON CONTACT SURFACE FINISH OR EQUIVALENT APPLIED WITHOUT VOID TO CONTACT AREA (MIN 3.7mm FROM PIN TIP).
- C. 2.8MM BLADE:
 - 1. BASE MATERIAL: COPPER ALLOY; CONDUCTIVITY >= 28% IACS AT 20°C; TENSILE STRENGTH >= 350 N/mm²; SURFACE ROUGHNESS R_a 6 MAX.
 - 2. PLATING FINISH: TIN. PLATING TO BE 2.5-5.0 μm ELECTRODEPOSITED TIN, MATTE FINISH OVER 1.25-2.5 μm DUCTILE SULPHAMATE NICKEL PER NOTE 1(D).
- D. PLATING REQUIREMENTS:
 - 1. SILVER PLATING
 - a. 99.5% PURE SEMI-BRIGHT WITH NO ORGANIC BRIGHTNERS OR CHROMATES.
 - 2. NICKEL PLATING
 - a. ELECTRODEPOSITED DUCTILE SULFAMATE NICKEL WITH A NON-BRIGHTENED FINISH. NO ORGANIC OR BRIGHTENING AGENTS SHALL BE ALLOWED.
 - b. SHALL ONLY BE USED AS AN UNDERLYING PLATING AND MAY NOT BE USED AS AN ELECTRICAL CONTACT SURFACE PLATING.
 - c. SHALL BE NODULE FREE WHEN VIEWED AT 10X MAGNIFICATION IN MEASURED IN CONTACT SURFACE AREA PLUS 0.5MM PERIMETER AROUND THE CONTACT SURFACE AREA.
 - d. ALL PLATINGS SHALL HAVE A 1.0% MAXIMUM BY WEIGHT IMPURITIES. IMPURITIES ARE DEFINED AS ALL ELEMENTS NOT THE PRIMARY PLATING OR HARDENING AGENT IF APPLICABLE, AS DETERMINED BY WET CHEMICAL ANALYSIS OR AUGER METHOD. NO SINGLE IMPURITY SHALL EXCEED 0.1% MAXIMUM BY WEIGHT.
 - 3. TESTING
 - a. THICKNESS TO BE MEASURED IN CONTACT SURFACE AREA PLUS 0.5MM PERIMETER AROUND THE CONTACT SURFACE AREA AS DESIGNATED IN THE DRAWING. THICKNESS SHALL BE DETERMINED BY METHOD OF X-RAY (XRF).
 - b. PLATING ADHESION SHALL BE TESTED BY A BEND TEST FOR ALL METALS. THE TEST SAMPLE SHALL BE BENT 90 DEGREES TO DETERMINE DEPOSIT ADHESION. TESTING SHALL BE COMPLETED IN ACCORDANCE WITH ASTM SPEC B571.

2. DESIGN - GENERAL:

- A. THIS IS A 100% CAD GENERATED PART. THE CAD MATHEMATICAL DATA IS THE MASTER FOR THIS PART. FOR DIMENSIONAL OR ANY INFORMATION NOT SHOWN ON THIS DRAWING, ANALYZE THE CAD MODEL.
- B. TOLERANCES:
 - 1. LINEAR
 - 0.X ± 0.30
 - 0.XX ± 0.10
 - 0.XXX ± 0.10
 - 2. ANGULAR X° ± 3°
 - 3. 
- C. MINIMUM WALL THICKNESS REQUIRED: 1.3mm.
- D. CORNERS SHOWN AS SHARP TO BE R 0.2 MAX.
- E. LETTERING SHALL BE 0.15 MAX RAISED IN 0.20 MAX RECESS PAD. THIS INCLUDES MATERIAL CODE, RECYCLING CODE, CAVITY ID AND DATE CODE.
- F-1. PARTS MUST BE FREE OF DISCOLORATION, SALT RESIDUE AND OTHER IMPERFECTIONS THAT AFFECT FIT OR FUNCTION.
- F-2. SCRATCHES OR DENTS NOT TO EXCEED 0.013mm IN DEPTH.
- G. FOLLOWING PRODUCTION CODES TO BE PERMANENTLY MARKED & HUMAN READABLE TO A LETTER HEIGHT OF 1.5 ± 0.5MM X 0.3 MAX DEEP
 - 1. MATERIAL #: XXXXX-XXXX
 - 2. DATE CODE: JJYY (JULIAN DAY, LAST DIGIT OF YEAR)
 - 3. INSPECTION MACHINE CODE + SERIAL #: X_XXXXX

3. DESIGN - MANUFACTURING:

- A. DRAFT TO BE WITHIN TOLERANCE.
- B. ALLOWABLE FLASH MAX 0.2 HIGH X MAX 0.13 THICK.
- C. ALLOWABLE PARTING LINE MISMATCH 0.2 MAX.
- D. EJECTOR PINS MARK TO BE FLUSH TO 0.25 MAX DEPRESSED.
- E. ALLOWABLE GATE VESTIGE FLUSH TO 0.25 MAX PROTRUSION.
- F. NO EXTERNAL MOLD RELEASE AGENT ALLOWED DURING MANUFACTURING.
- G. STEEL THAT FORMS THE INDICATED SURFACE MUST BE POLISHED WITH A DIAMOND FINISH (SPI A-2) OVER THE FULL PERIPHERY OF THE TOOL. SURFACE MUST HAVE NO MISMATCH.
- H. ANY PROCESS LUBRICANT REMAINING ON THE TERMINAL MUST NOT VARNISH OR DEGRADE IT'S ELECTRICAL PERFORMANCE UP TO A MAXIMUM CLASS AMBIENT TEMPERATURE PER SAE USCAR-2 FOR 1008 HOURS. PROCESS LUBRICANTS SHOULD BE APPROVED BY THE RESPONSIBLE ENGINEER.
- J. OPTIONAL FEATURES PROVIDED FOR AUTOMATION.
- K. PART MUST BE FREE FROM BURRS AND SHARP EDGES, WHICH MIGHT BE DETRIMENTAL TO SATISFACTORY ASSEMBLY, SAFE HANDLING OR FUNCTION OF PART.
- L. PARTS AS DELIVERED TO ASSEMBLY SHALL BE CLEAN AND FREE OF DEBRIS, RESIDUAL ABRASIVE MATERIAL AND CORROSION PRODUCTS ADVERESLY AFFECTING FUNCTION OR APPEARANCE.
- M. RESTRICTED AND REPORTABLE SUBSTANCES FOR PARTS PER GMW3059.



PAGE TITLE
NOTES

DRAWING NUMBER

12672833

DWG STATUS

ST	REV	PDI
R	001	

PAGE NUMBER

6 OF 22

NOTES: UNLESS OTHERWISE SPECIFIED

4. SYSTEM REQUIREMENTS:

- A. HARNESS CONNECTOR IS COMPATIBLE WITH THE FOLLOWING ISO WIRE SIZE NO'S:
 0.35mm², MEETING GMW15626 - MIN OD OF 1.30MM
 0.50mm², MEETING GMW15626
 0.75mm², MEETING GMW15626 - MAX OD OF 2.06MM

B. CABLE TIE SPECIFICATIONS:

1. CABLE TIE:
 - TENSILE RATING: 220N / (50lbs) MIN
 - TIE LENGTH: 186mm MIN
 - TIE WIDTH: 4.75mm MAX
 - MATERIAL: NYLON
2. INSTALLATION:
 - CABLE TIE TENSION: 190N MIN
3. DRESSED WIRE BUNDLE PACKAGING: SEE FIG. 1

C. WHEN MATED WITH COMPONENT CONNECTOR INTERFACE AND/OR DRESS COVER, HARNESS CONNECTOR SYSTEM CONFORMS TO THE FOLLOWING:

1. SAE/USCAR-2, REV: 3 APRIL, 2001; CLASS 3
2. FIELD CORRELATED LIFE TEST, SAE/USCAR-20, NOV. 2001
3. GMW #3191 AUGUST 22, 2000 (DRAFT); TEMPERATURE CLASS 3, SEALING CLASS 1, VIBRATION CLASS 2
4. RESTRICTED AND REPORTABLE CHEMICALS PER GMW #3059, REV: D AUGUST 2002
5. TPA USER FORCES (FULLY POPULATED WITH TERMINALS)
 - a. REMOVAL FROM LOCK TO PRE-SET: <=120N

D. WIRE SPECIFICATIONS:

1. WIRE SURFACE MUST BE FREE OF SCRATCHES, GROOVES OR DENTS WHERE FUNCTIONAL

5. TERMINAL CURRENT RATINGS:

A. MX64 RCPT TERM

ALL TESTING DONE IN ACCORDANCE WITH USCAR-2 REV5 SECTION 5.3

1. MX64 RCPT TERM Ag 0.50/0.75mm² CRIMPED TO 0.75mm² ISO WIRE AND MATED TO MX123 0.64MM PIN: SEE TABLE BELOW
2. MX64 RCPT TERM Ag 0.35mm² CRIMPED TO 0.35mm² ISO WIRE AND MATED TO MX123 0.64MM PIN: SEE TABLE BELOW

WIRE	CURRENT RATING			
	23°C	85°C	105°C	125°C
0.75mm ²	11.3A	11.3A	9.5A	6.6A
0.50mm ²	10.0A	10.0A	8.3A	5.7A
0.35mm ²	8.5A	8.5A	7.1A	5.0A

B. 2.8MM RCPT TERM

ALL TESTING DONE IN ACCORDANCE WITH MOLEX DVP&R 0279 (TR # 7125)

1. 2.8MM RCPT TERM TIN 2.0mm² CRIMPED TO 2.0mm² ISO WIRE AND MATED TO MX123 2.8MM BLADE: 25.6 AMPS AT 125°C

6. CONTACT MOLEX AUTOMOTIVE FOR AVAILABLE CUSTOM PATTERNS OF CAVITIES OPEN FOR CIRCUITS - SEE GM DRAWING 13507496



PAGE TITLE
NOTES

DRAWING NUMBER

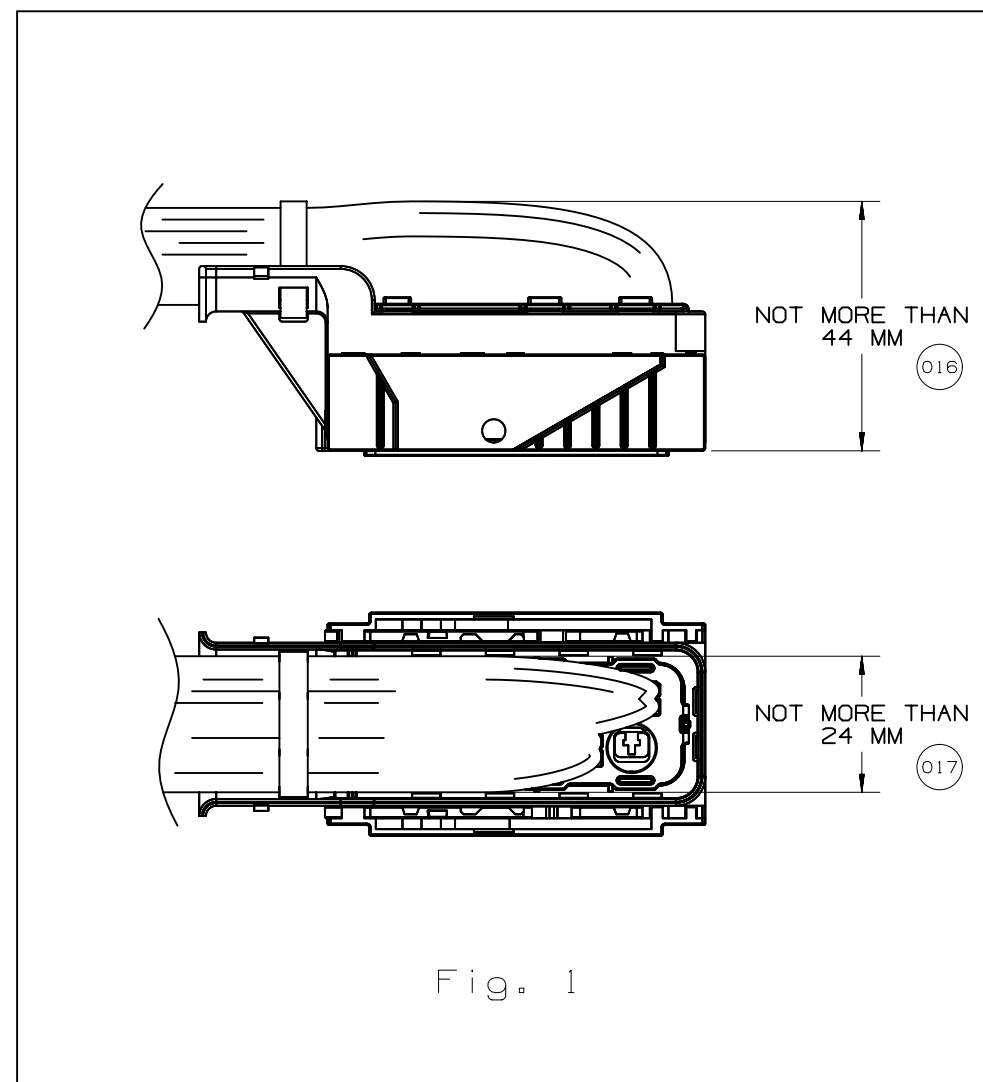
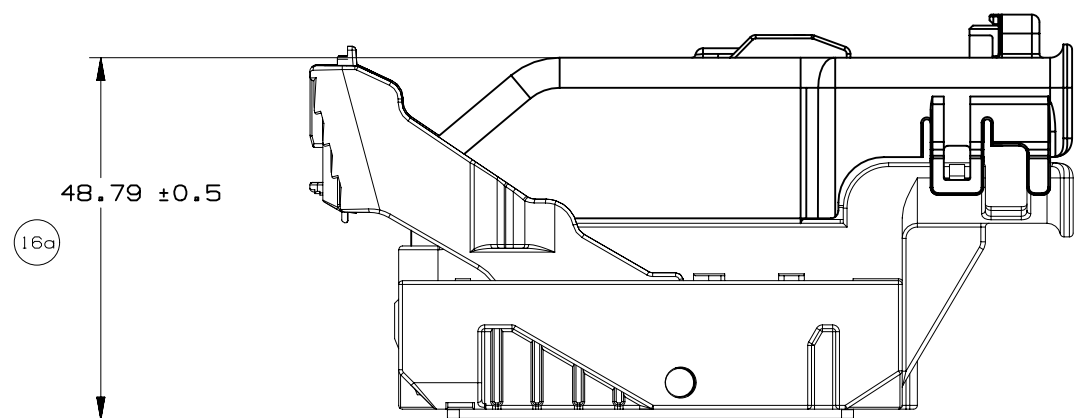
12672833

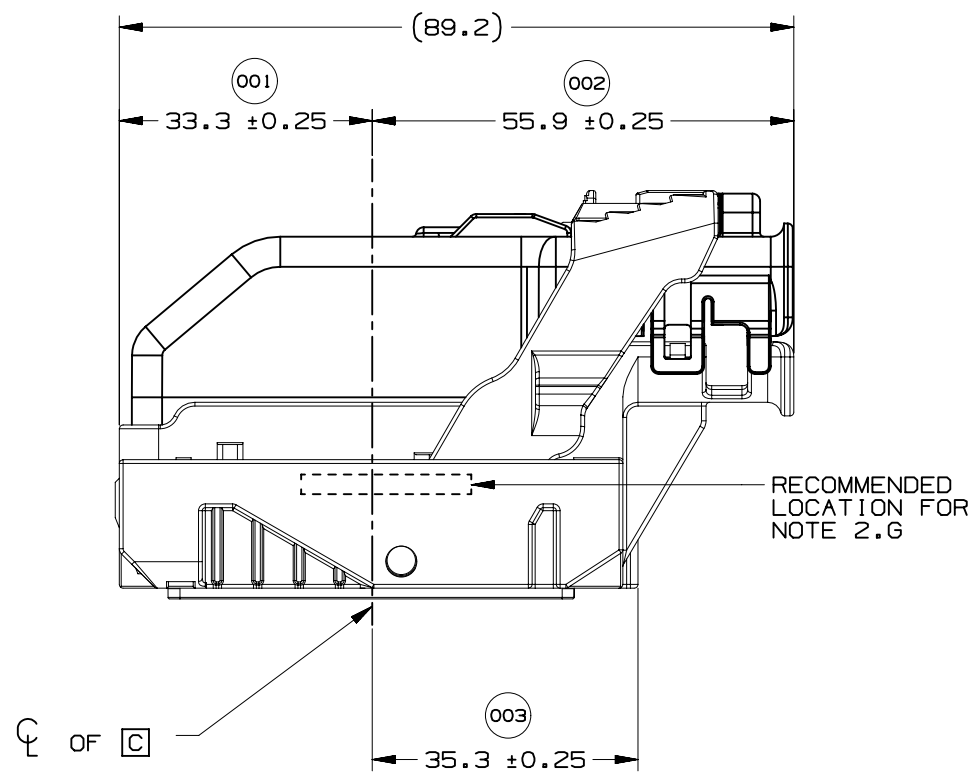
DWG STATUS

ST	REV	PDI
R	001	

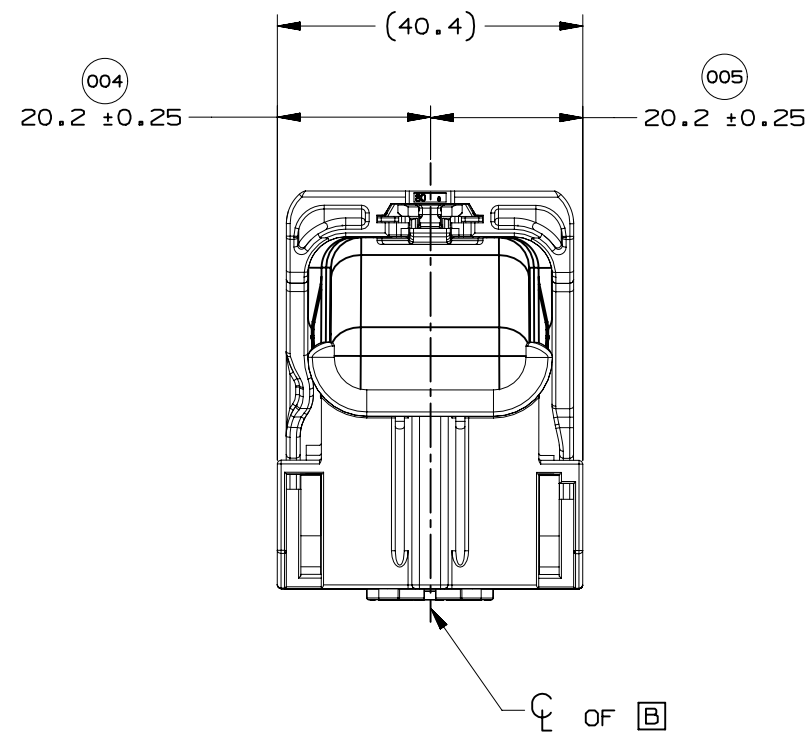
PAGE NUMBER

7 OF 22

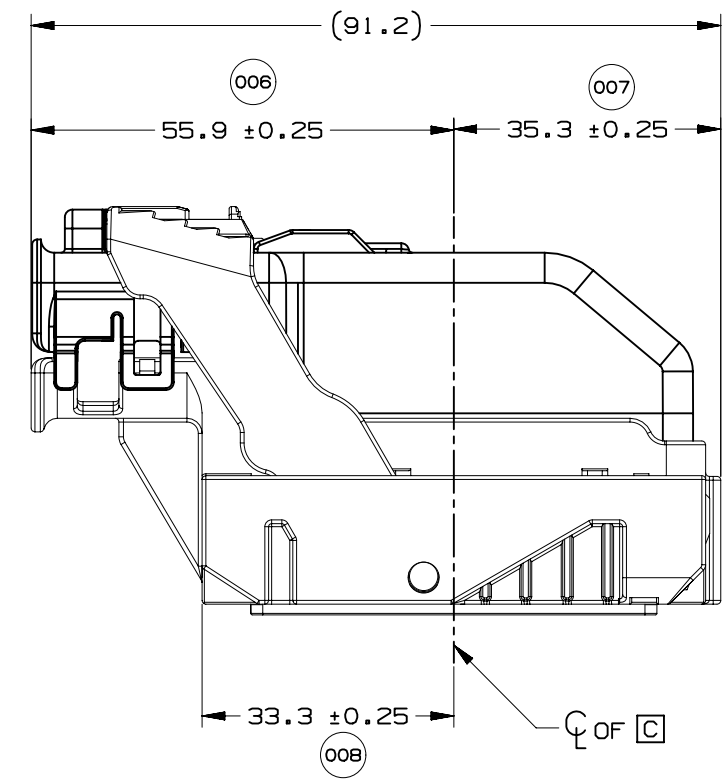




WIRE DRESS OPTION 0 SHOWN

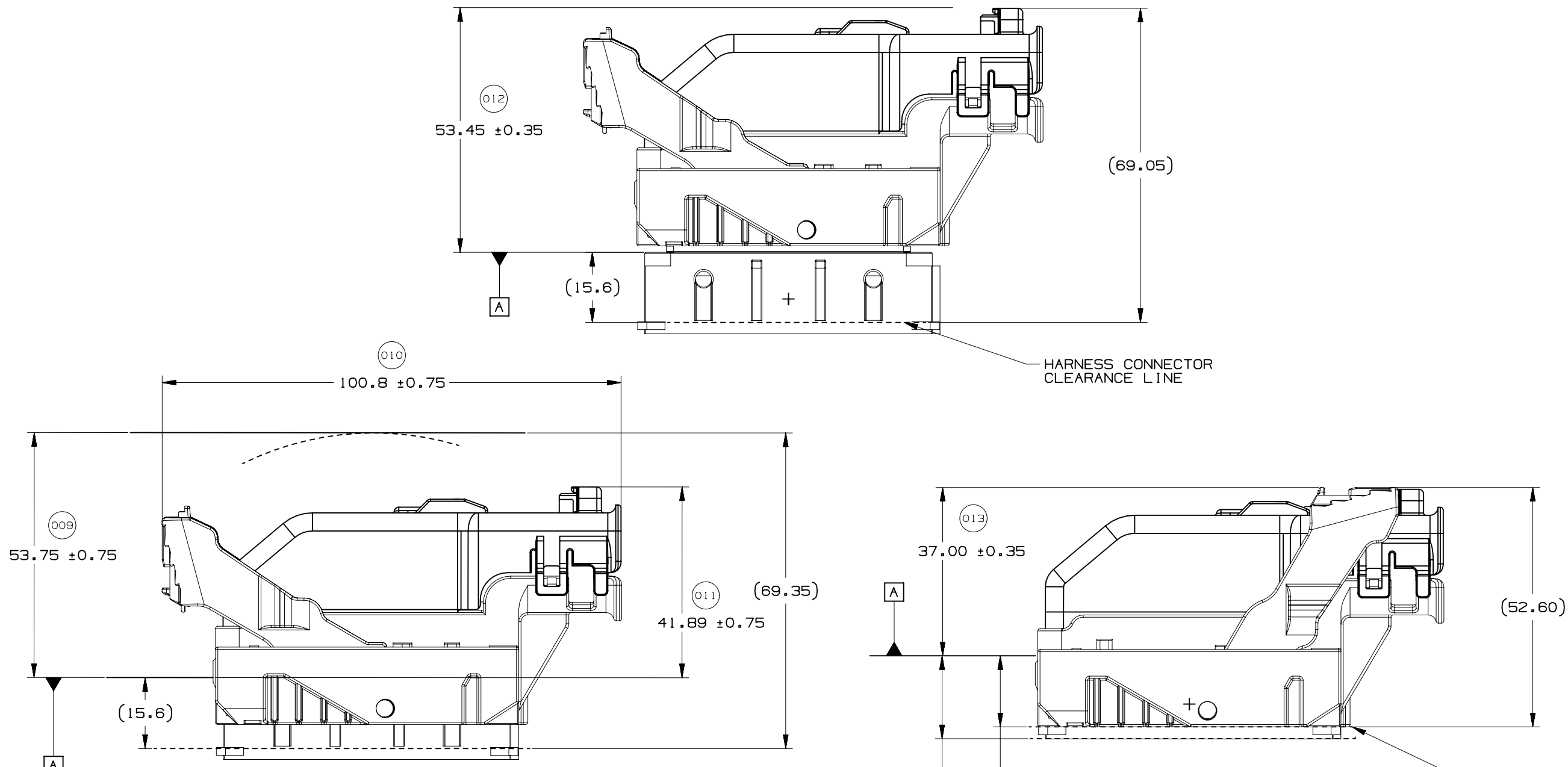


WIRE DRESS OPTION 0 SHOWN



WIRE DRESS OPTION 9 SHOWN





HARNESS CONNECTOR CLEARANCE LINE

HARNESS CONNECTOR ASSEMBLY IN FULLY-MATED POSITION

HARNESS CONNECTOR CLEARANCE LINE

15.6 MIN. ALL AROUND CLEARANCE REQUIRED FOR HARNESS CONNECTOR (014)

17.9 MIN. AT PAD LOCATION CLEARANCE REQUIRED FOR HARNESS CONNECTOR CONSTRUCTION BELOW THIS PLANE IS NOT CONTROLLED (015)

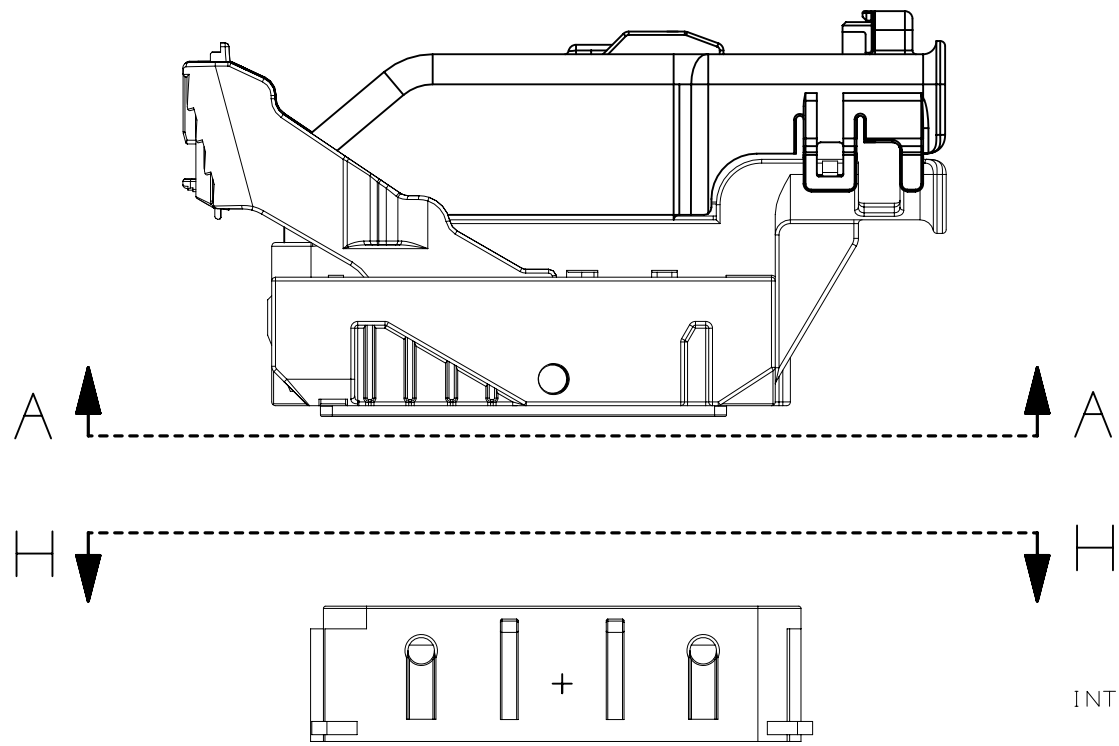


PAGE TITLE
LOCATION AND PACKAGING DIMENSIONS
REFERENCING INTERFACE DATUM A

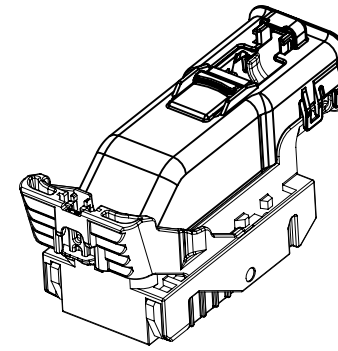
DRAWING NUMBER
12672833

DWG STATUS		
ST	REV	PD1
R	001	

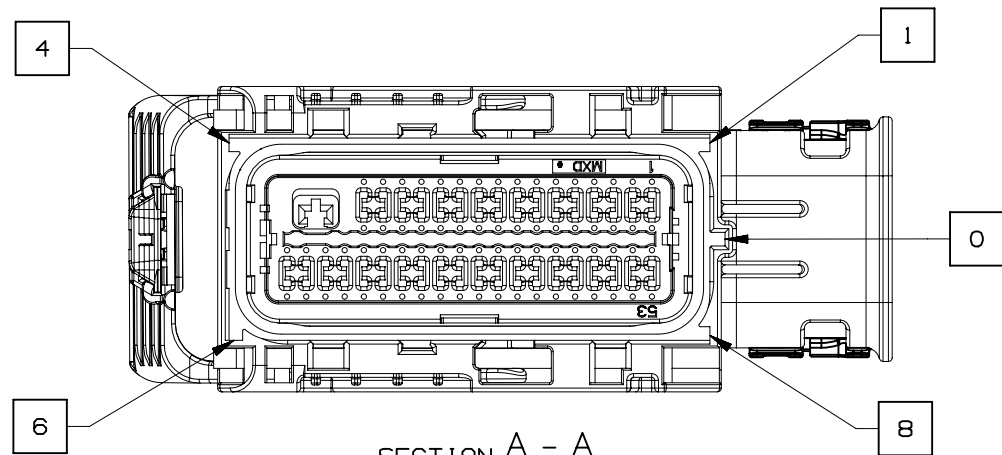
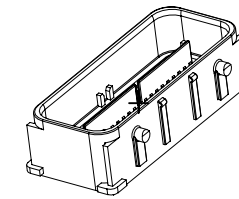
PAGE NUMBER
10 OF 22



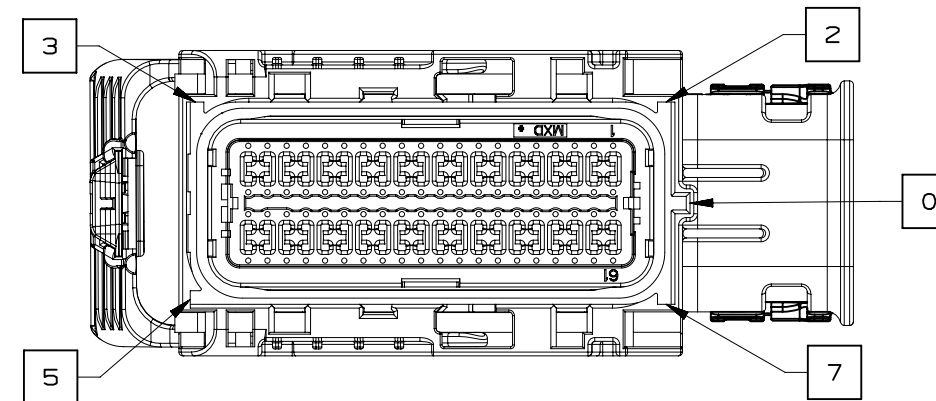
INTERFACE SIDE SHOWN ON ALL SECTION VIEWS



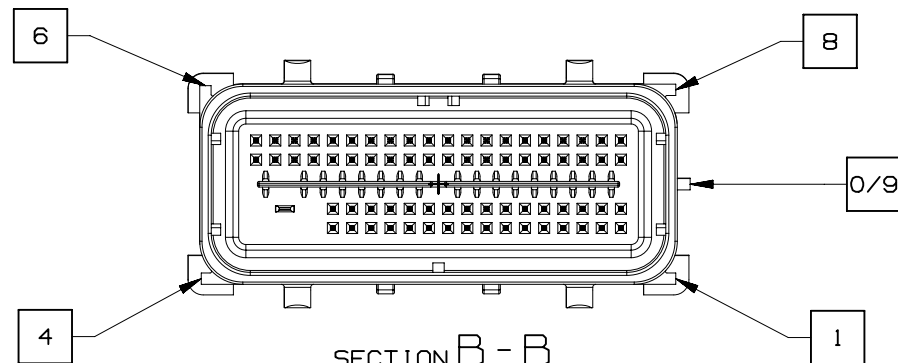
NOTE: REFERENCE THE COMPONENT TABLE FOR KEY OPTIONS AND CONFIGURATIONS



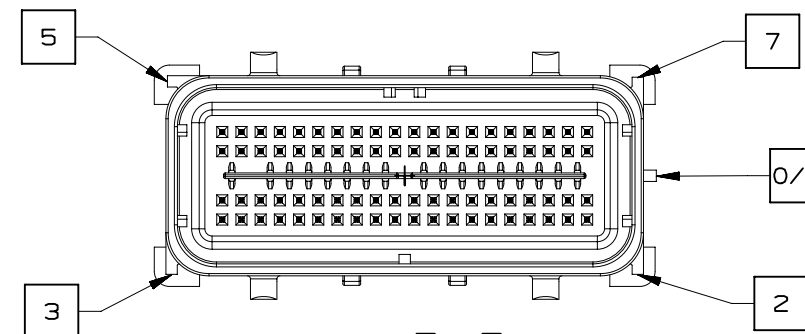
SECTION A - A
73 CKT HARNESS CONNECTOR ASSEMBLY
KEY OPTION B SHOWN



SECTION A - A
80 CKT HARNESS CONNECTOR ASSEMBLY
KEY OPTION K SHOWN



SECTION B - B
73 CKT HARNESS CONNECTOR ASSEMBLY
KEY OPTION B SHOWN



SECTION B - B
80 CKT HARNESS CONNECTOR ASSEMBLY
KEY OPTION K SHOWN

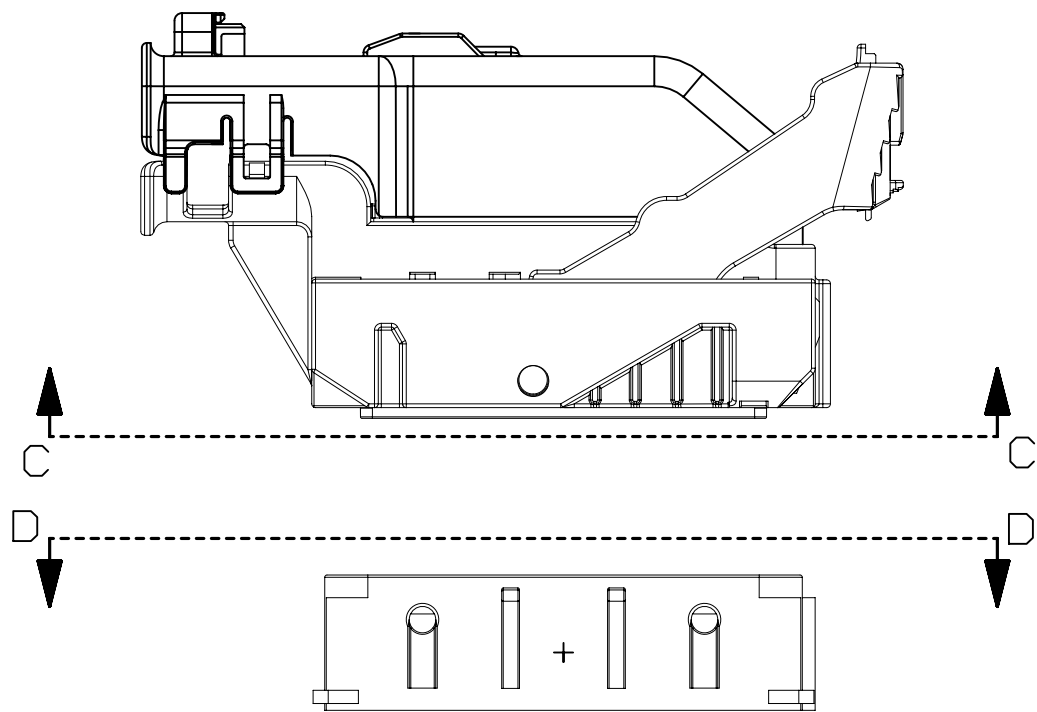


PAGE TITLE
KEY ID REF - WIRE DRESS OPTION 0

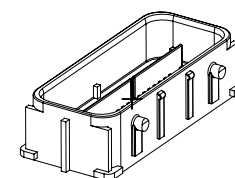
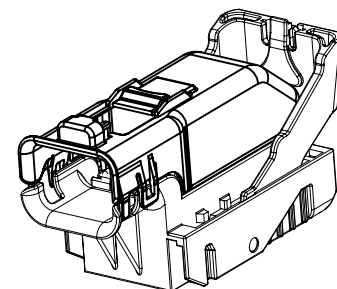
DRAWING NUMBER
12672833

DWG STATUS		
ST	REV	PD1
R	001	

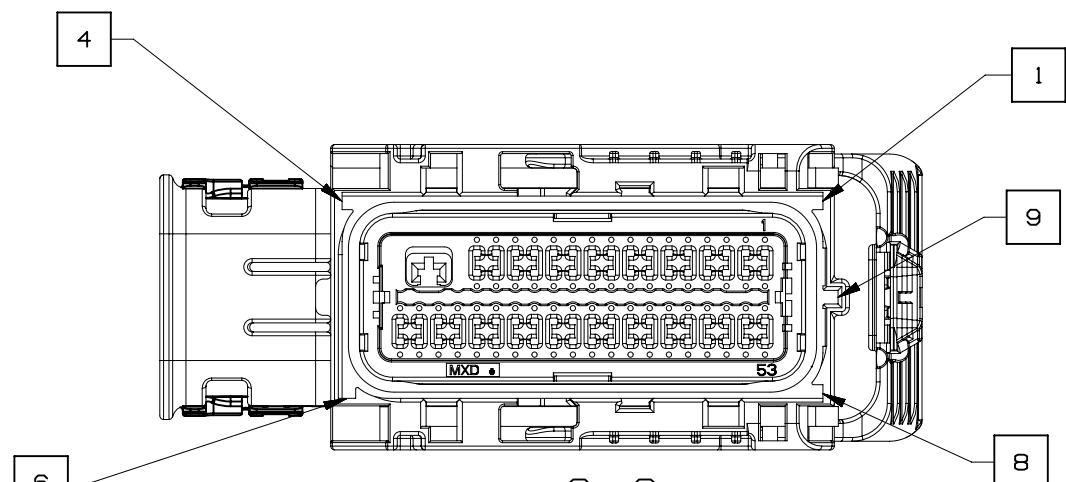
PAGE NUMBER
11 OF 22



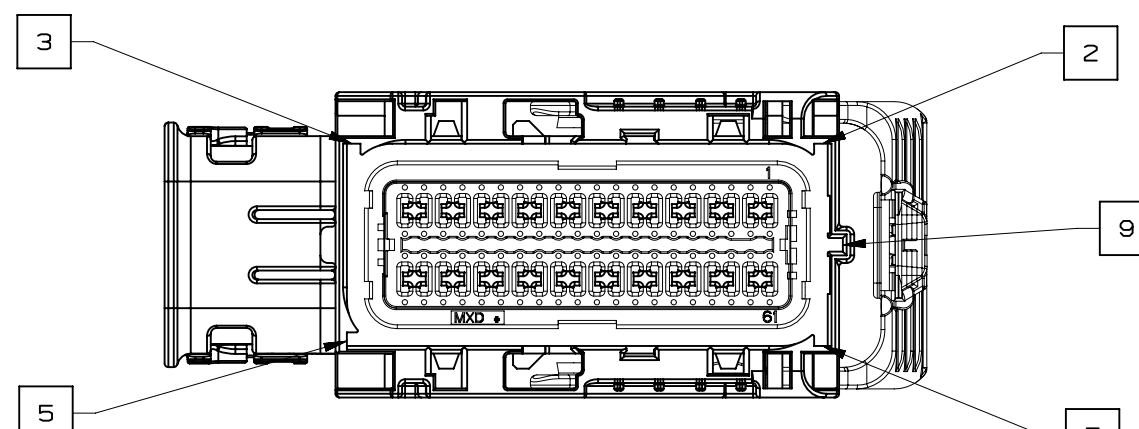
INTERFACE SIDE SHOWN ON ALL SECTION VIEWS



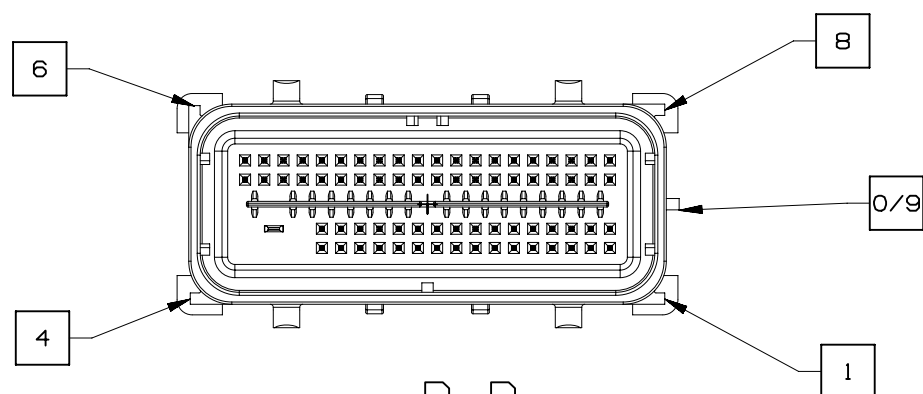
NOTE: REFERENCE THE COMPONENT TABLE FOR KEY OPTIONS AND CONFIGURATIONS



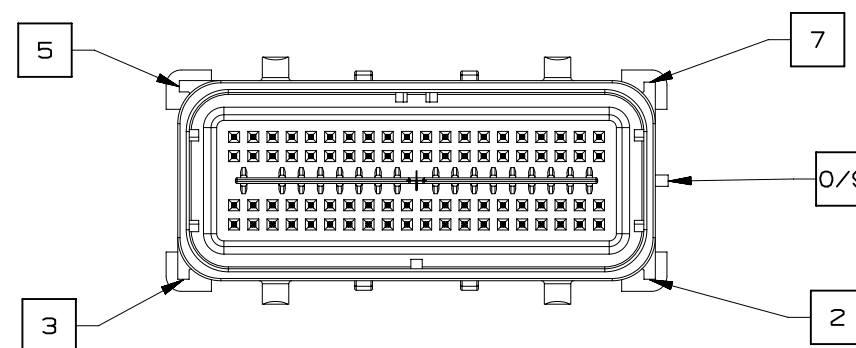
SECTION C - C
73 CKT HARNESS CONNECTOR ASSEMBLY
KEY OPTION B SHOWN



SECTION C - C
80 CKT HARNESS CONNECTOR ASSEMBLY
KEY OPTION K SHOWN



SECTION D - D
73 CKT HARNESS CONNECTOR ASSEMBLY
KEY OPTION B SHOWN



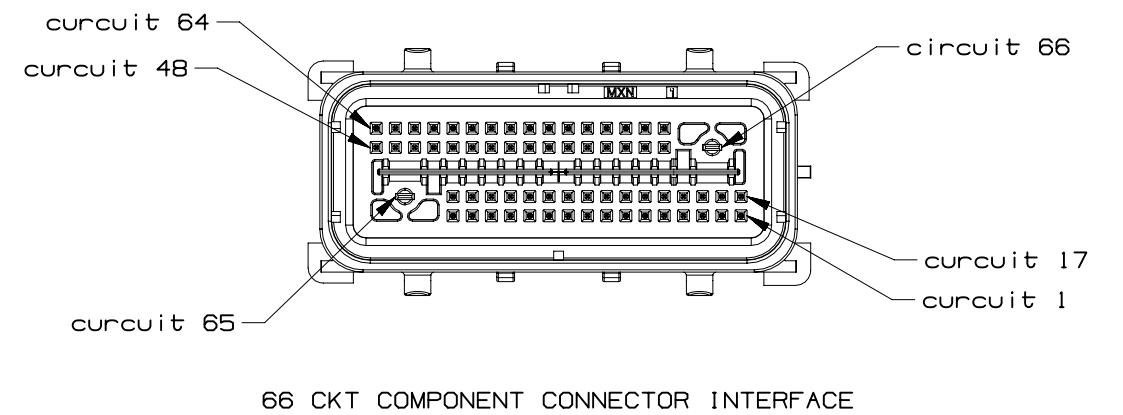
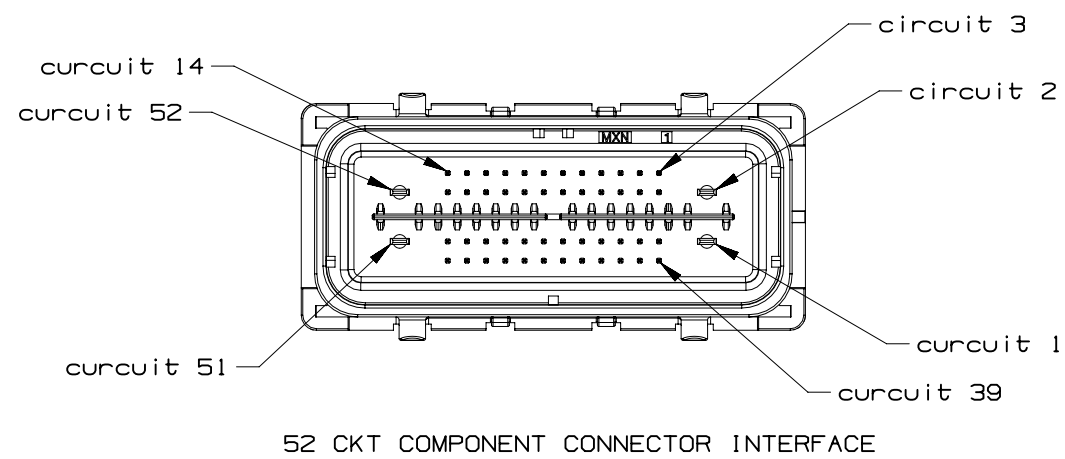
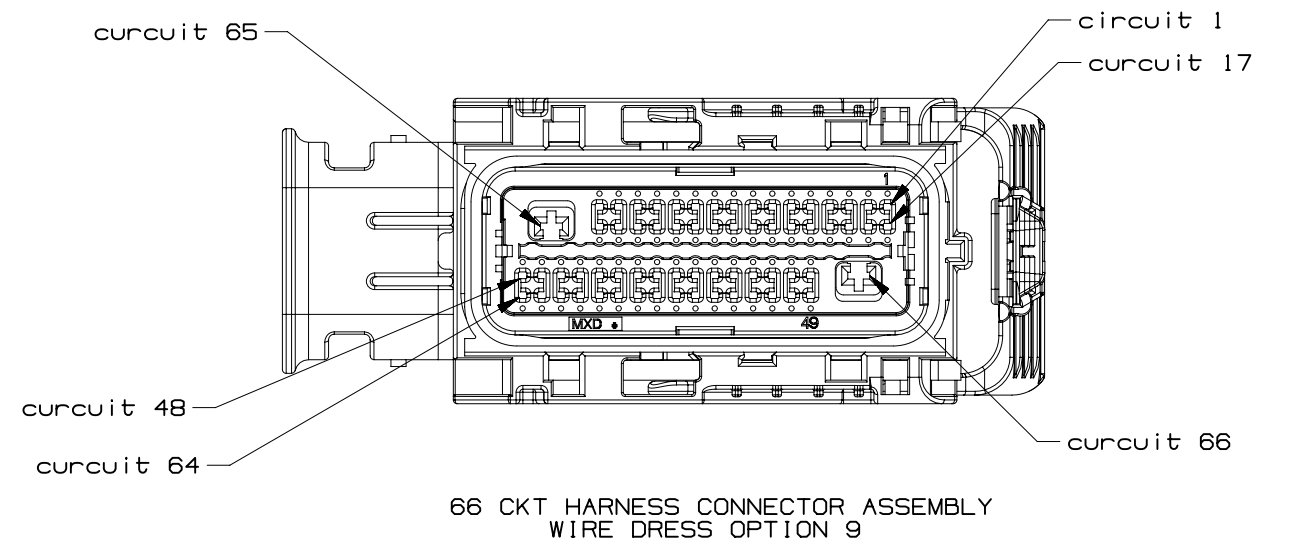
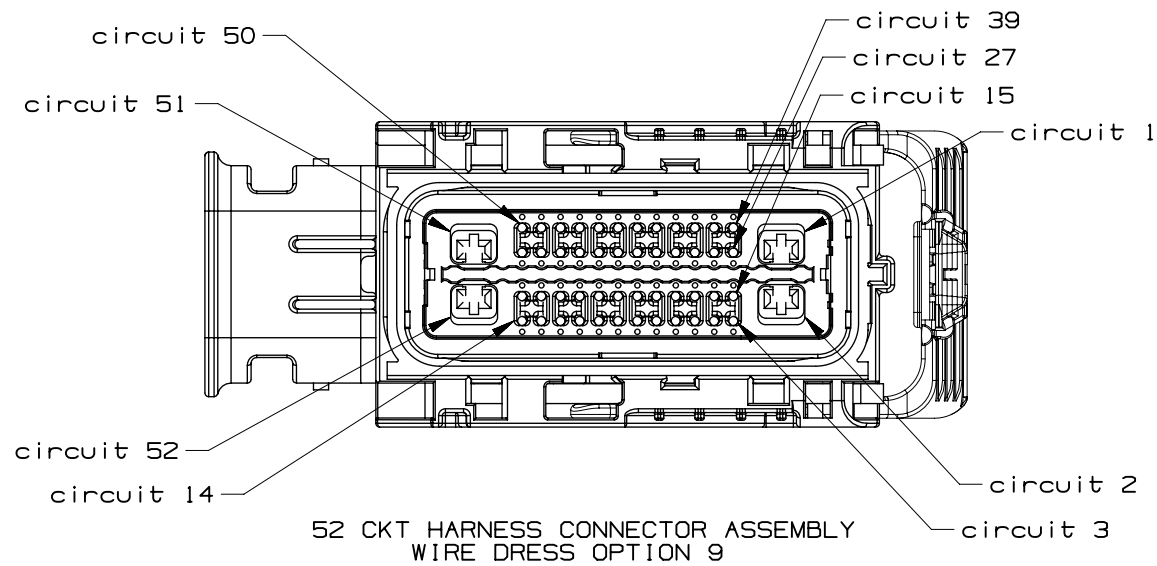
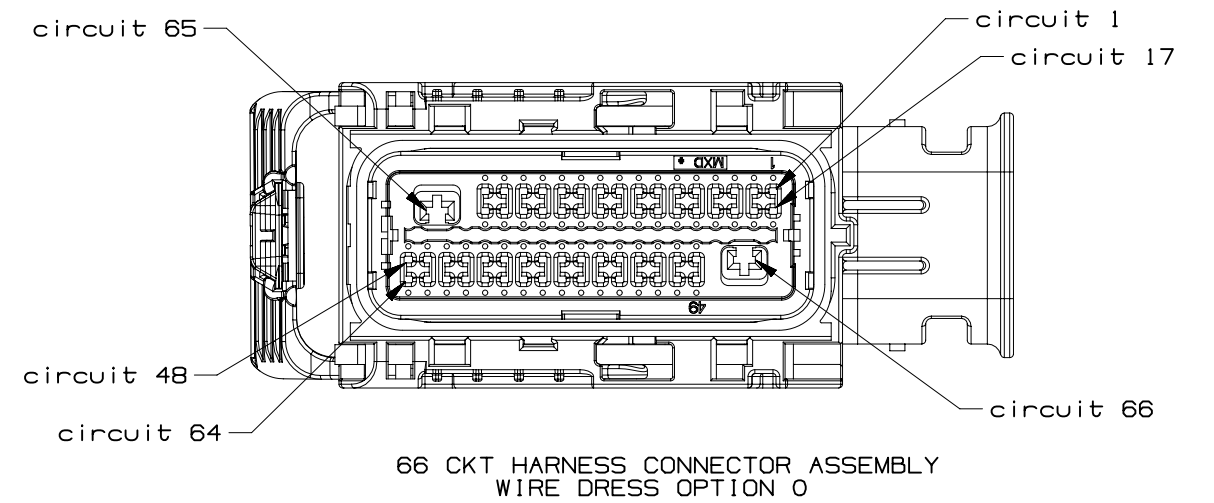
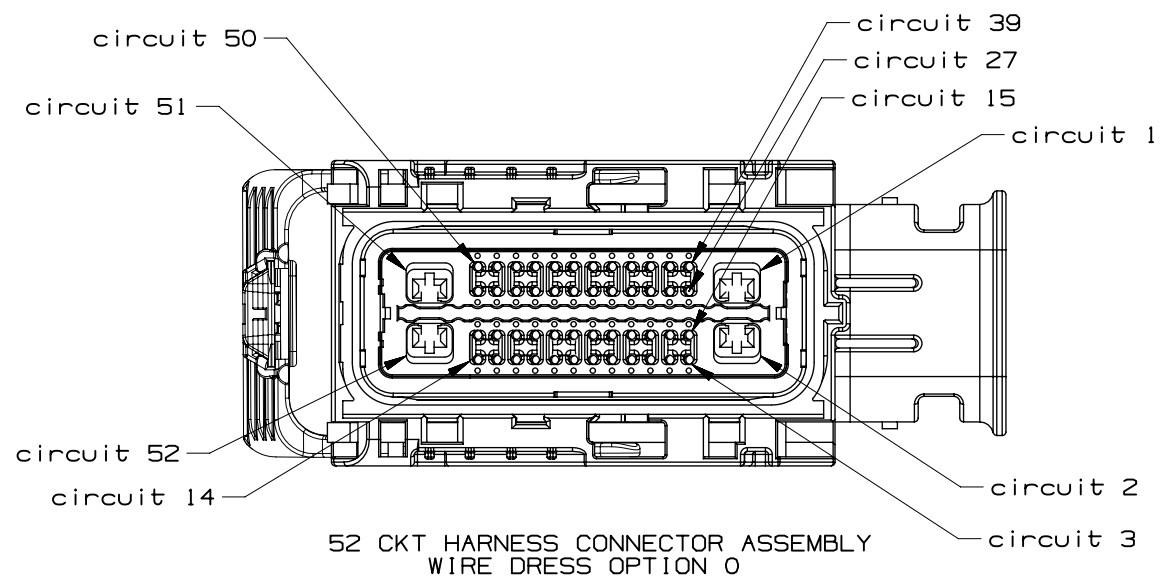
SECTION D - D
80 CKT HARNESS CONNECTOR ASSEMBLY
KEY OPTION K SHOWN

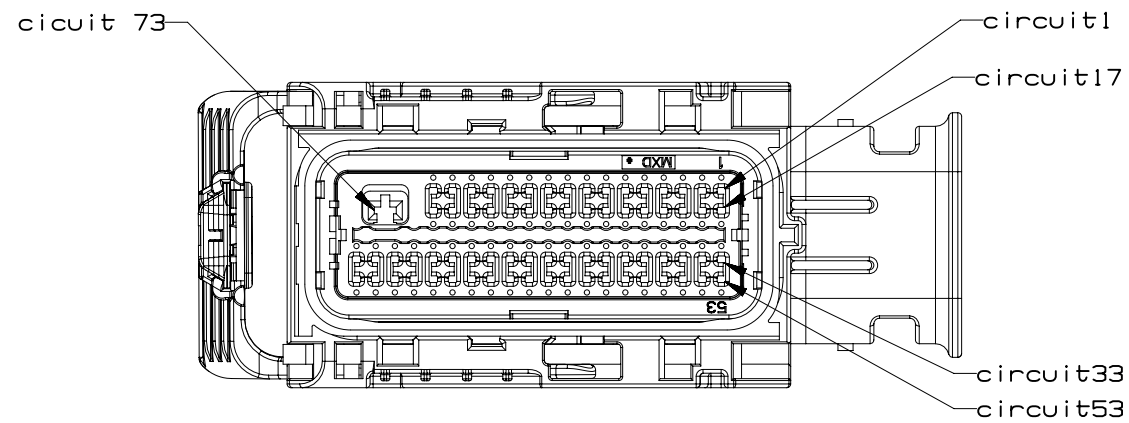


PAGE TITLE
KEY ID REF - WIRE DRESS OPTION 9

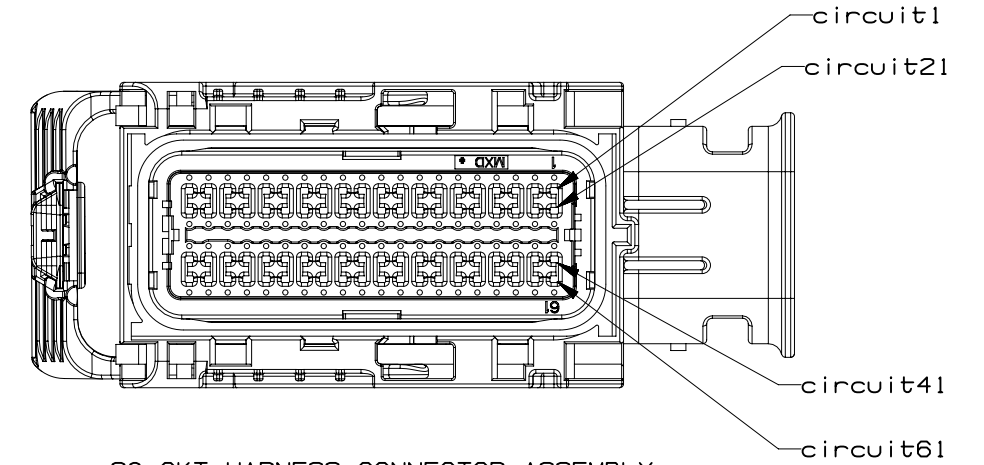
DRAWING NUMBER
12672833

DWG STATUS			PAGE NUMBER
ST	REV	PD1	
R	001		12 OF 22



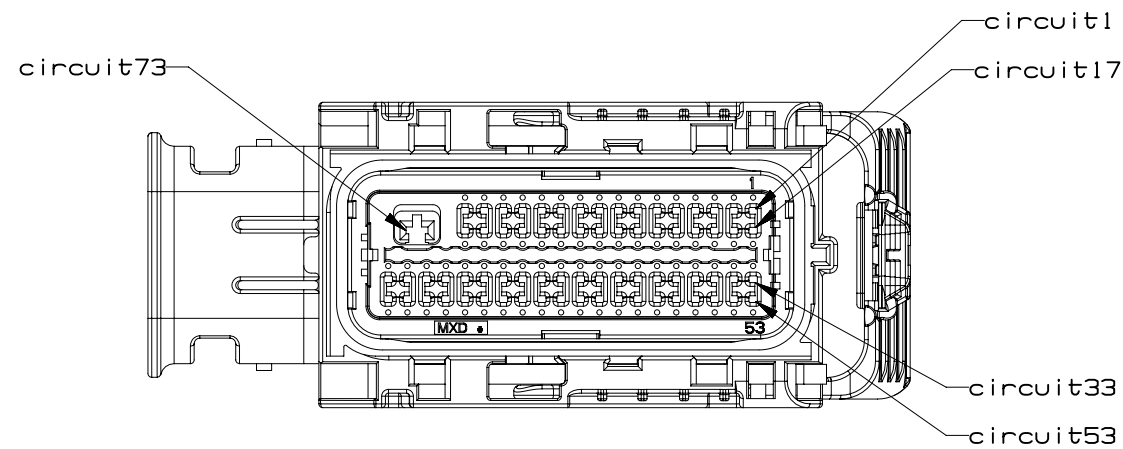


73 CKT HARNESS CONNECTOR ASSEMBLY
WIRE DRESS OPTION 0

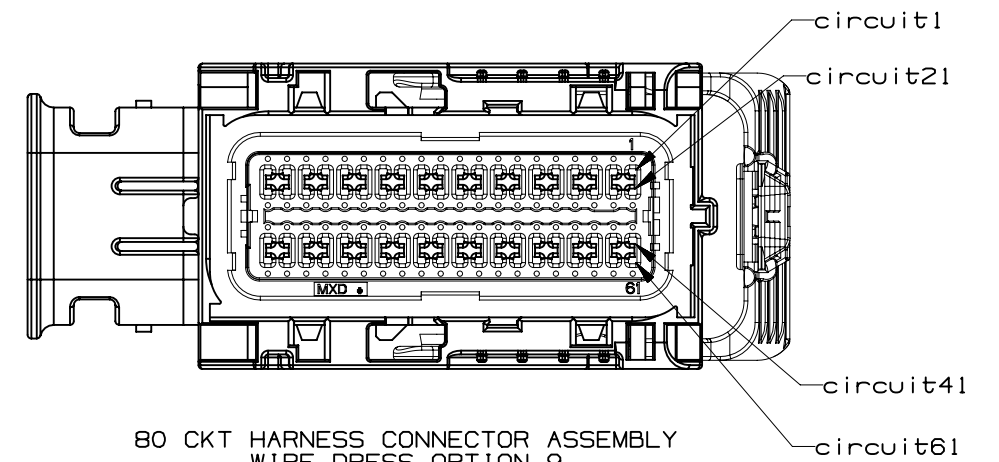


80 CKT HARNESS CONNECTOR ASSEMBLY
WIRE DRESS OPTION 0

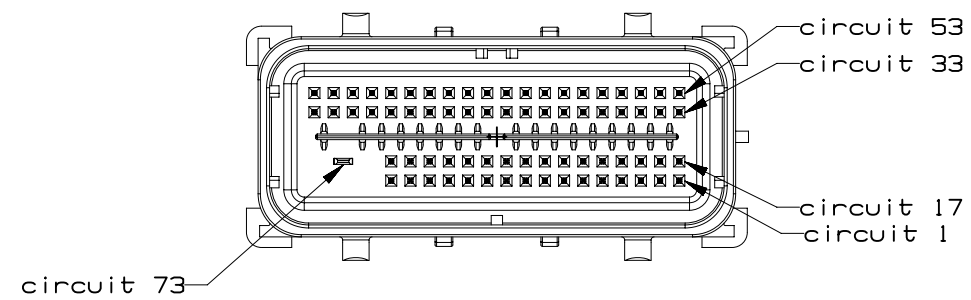
INTERFACE SIDE SHOWN ON ALL VIEWS



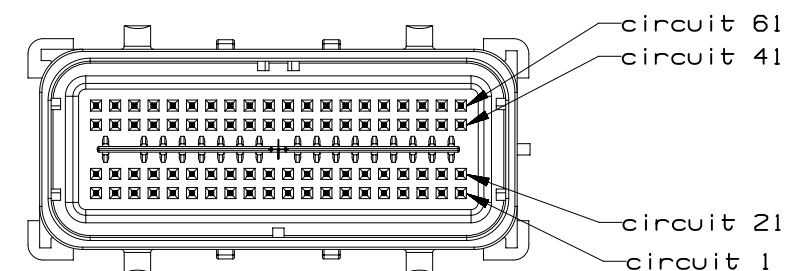
73 CKT HARNESS CONNECTOR ASSEMBLY
WIRE DRESS OPTION 9



80 CKT HARNESS CONNECTOR ASSEMBLY
WIRE DRESS OPTION 9

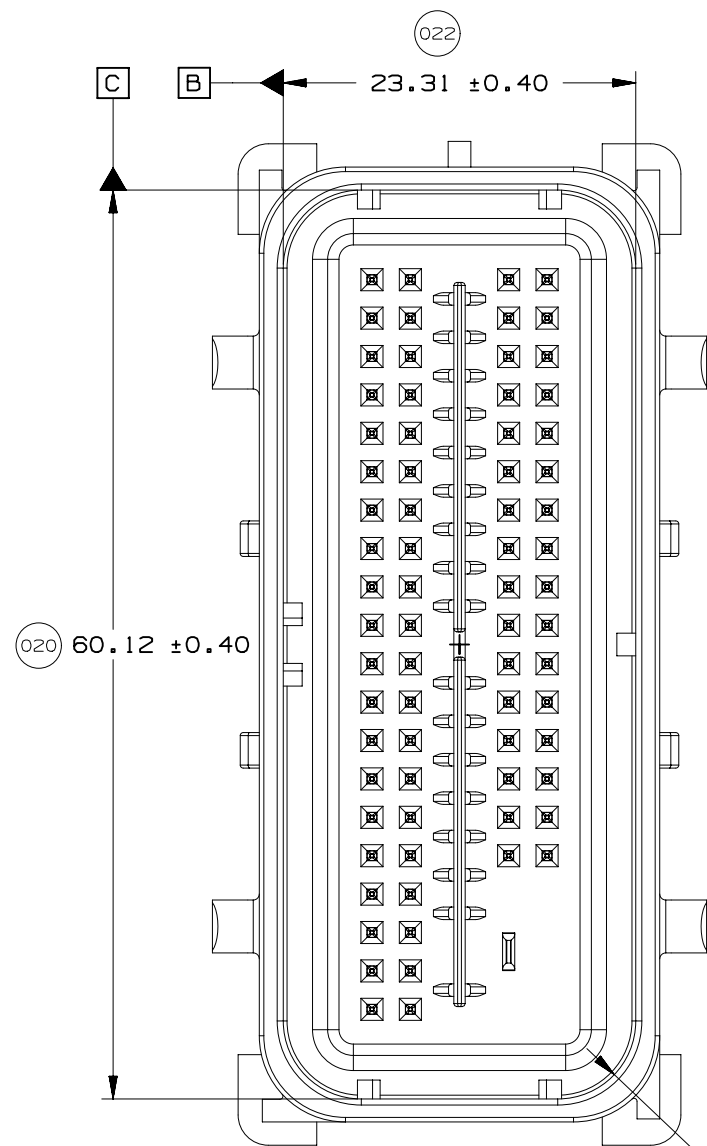
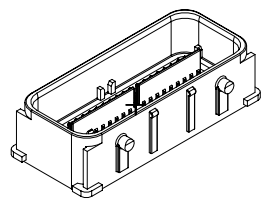


73 CKT COMPONENT CONNECTOR INTERFACE

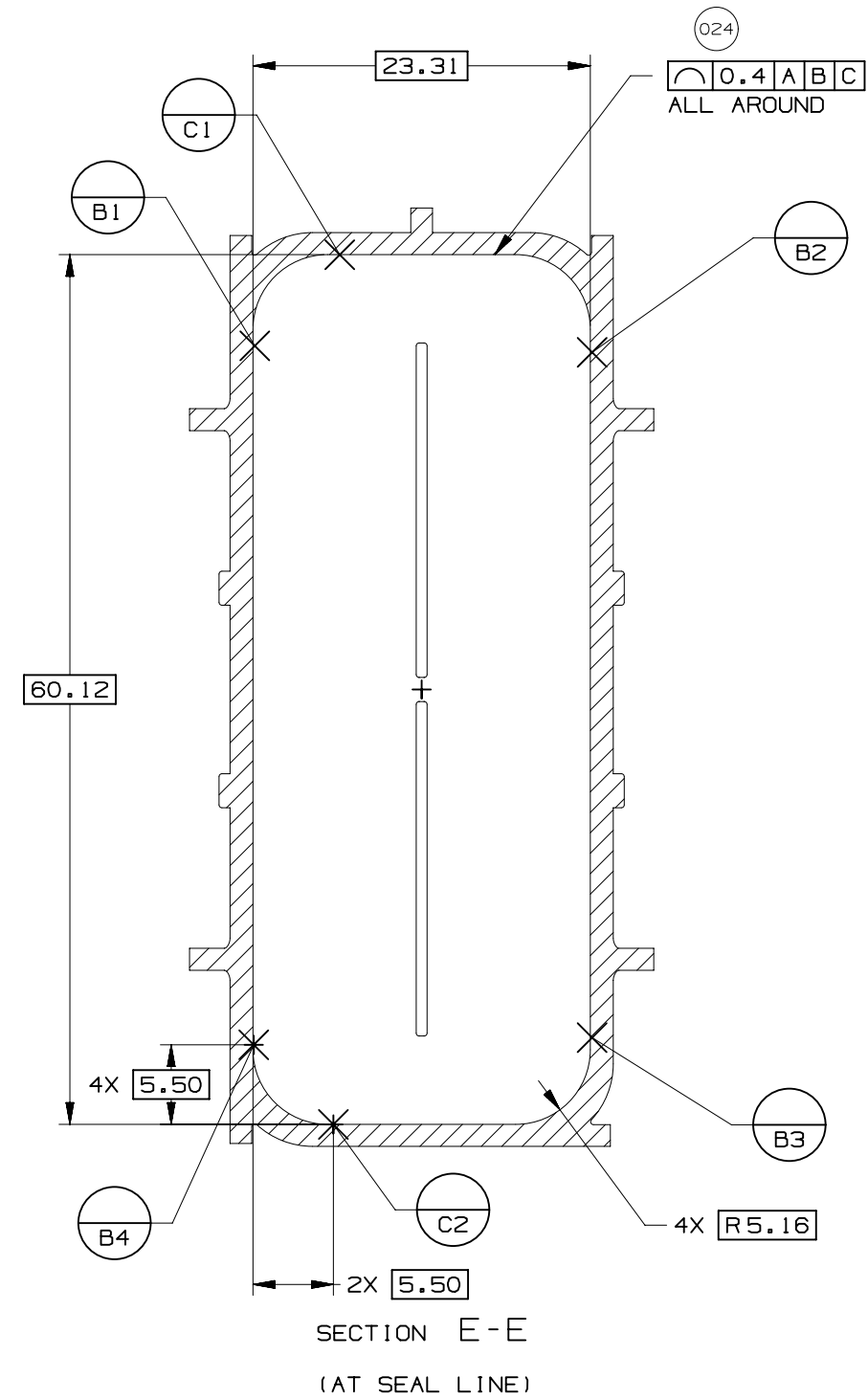
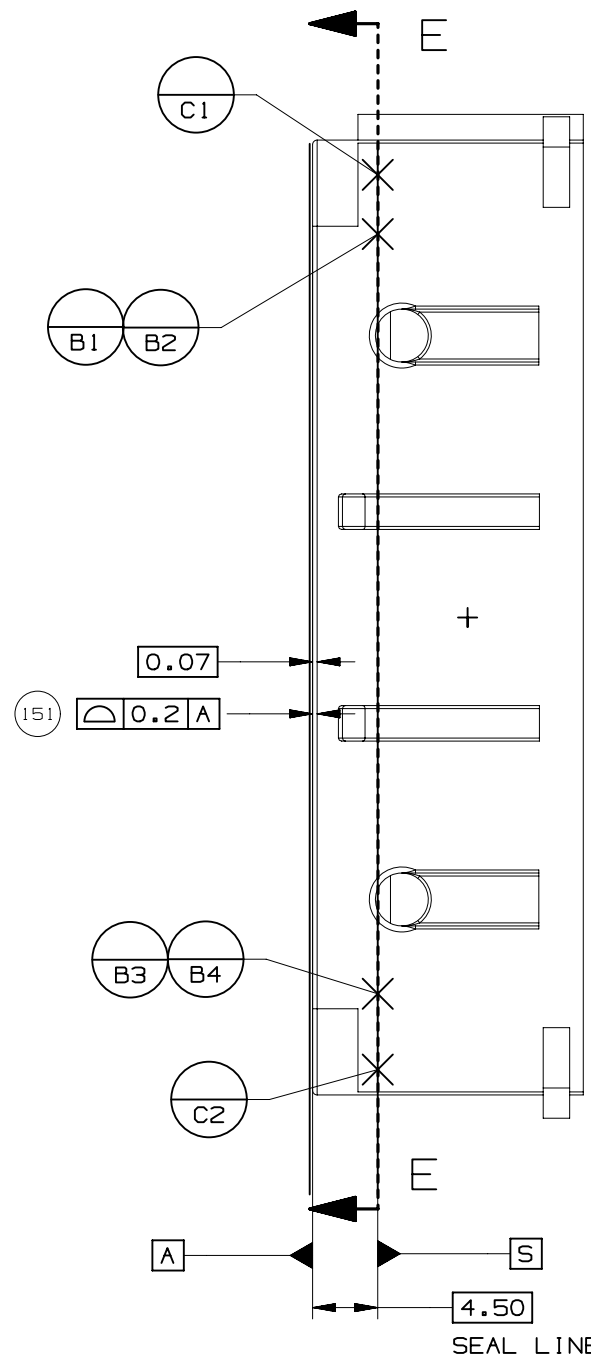


80 CKT COMPONENT CONNECTOR INTERFACE





023 4X R5.16 ± 0.30



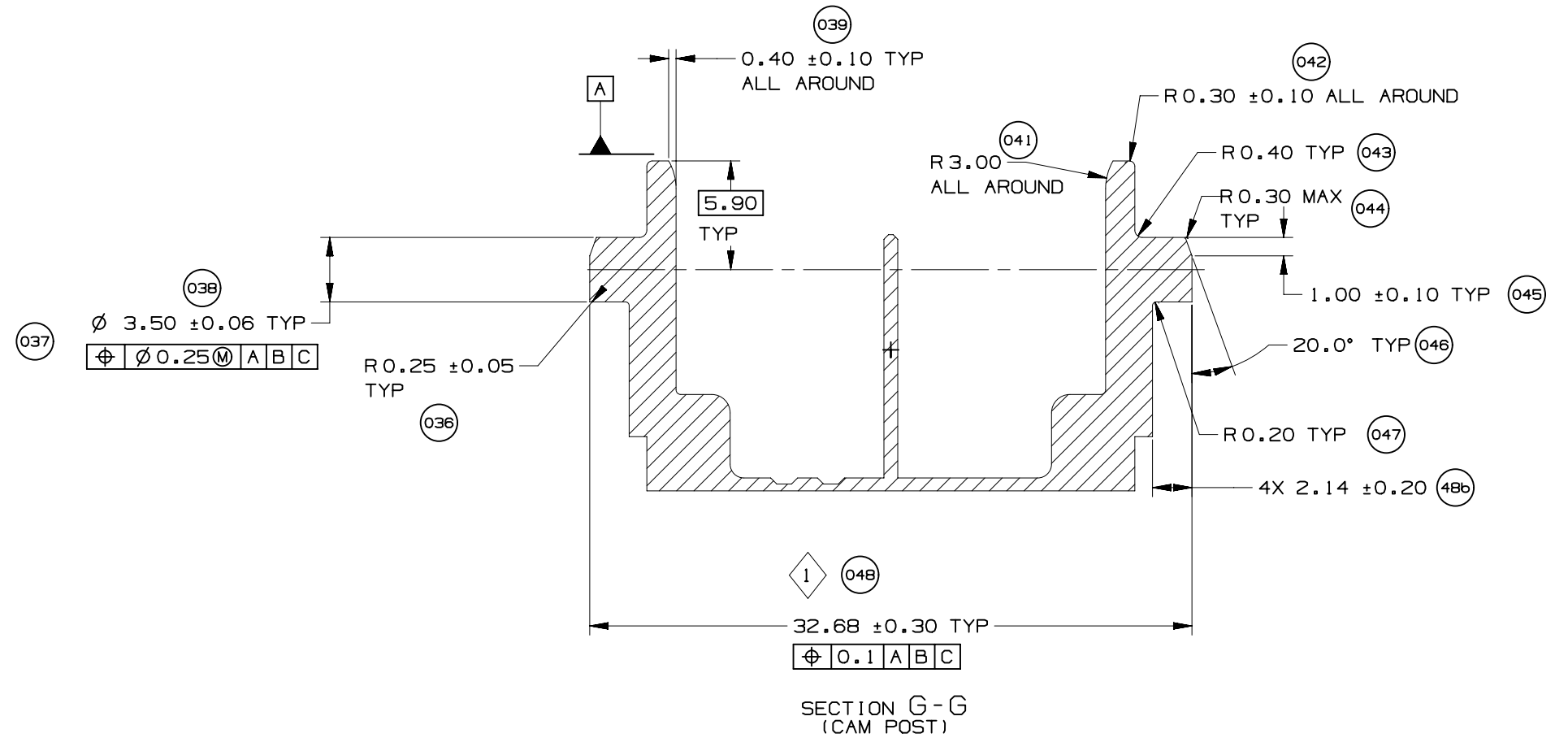
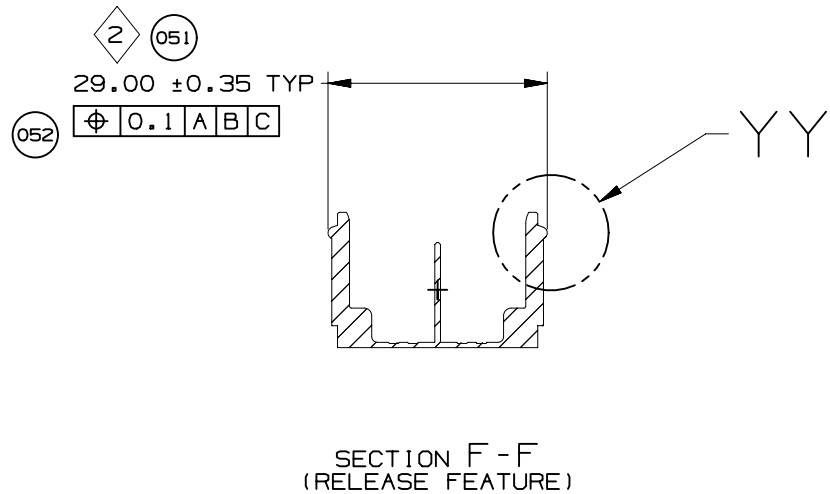
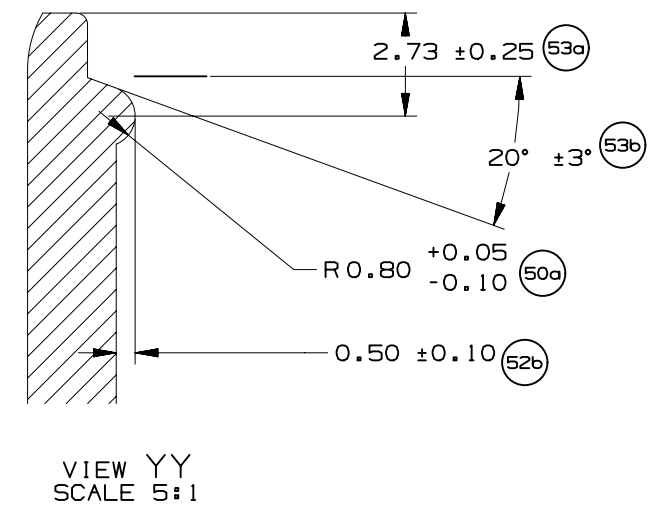
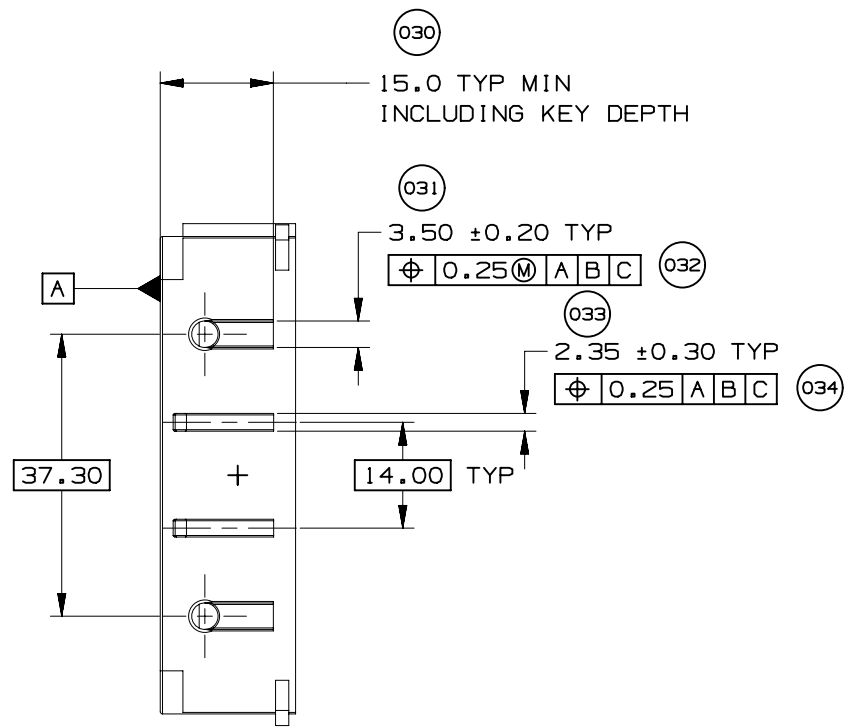
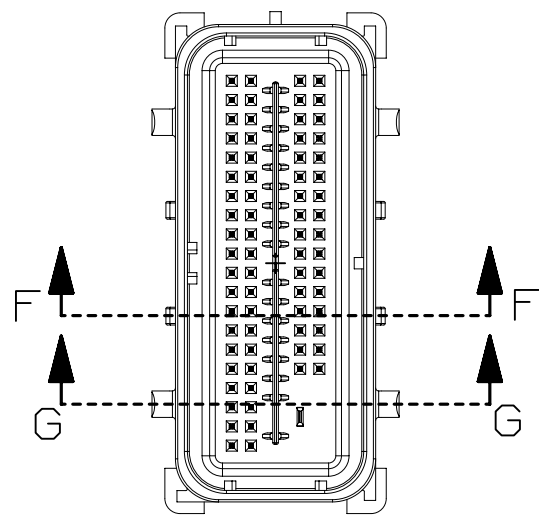
UNLESS SPECIFIED, TOLERANCE OF THE COMPONENT CONNECTOR INTERFACE TO BE $\sqrt[0.13]{A B C}$



PAGE TITLE
COMPONENT CONNECTOR INTERFACE

DRAWING NUMBER
12672833

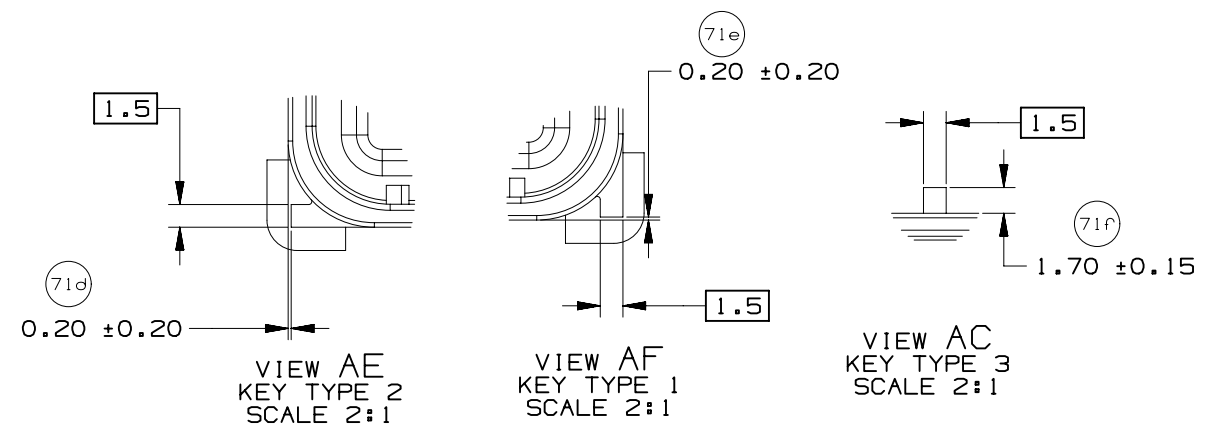
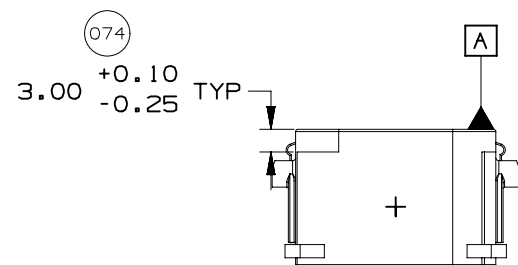
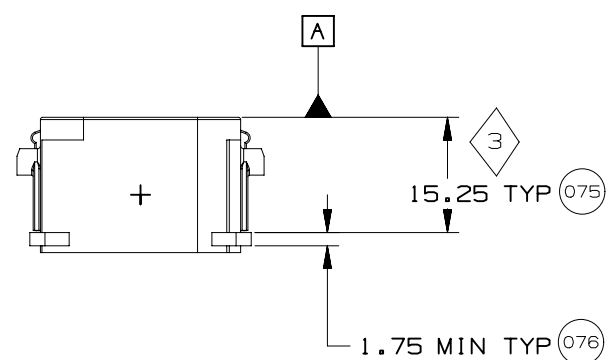
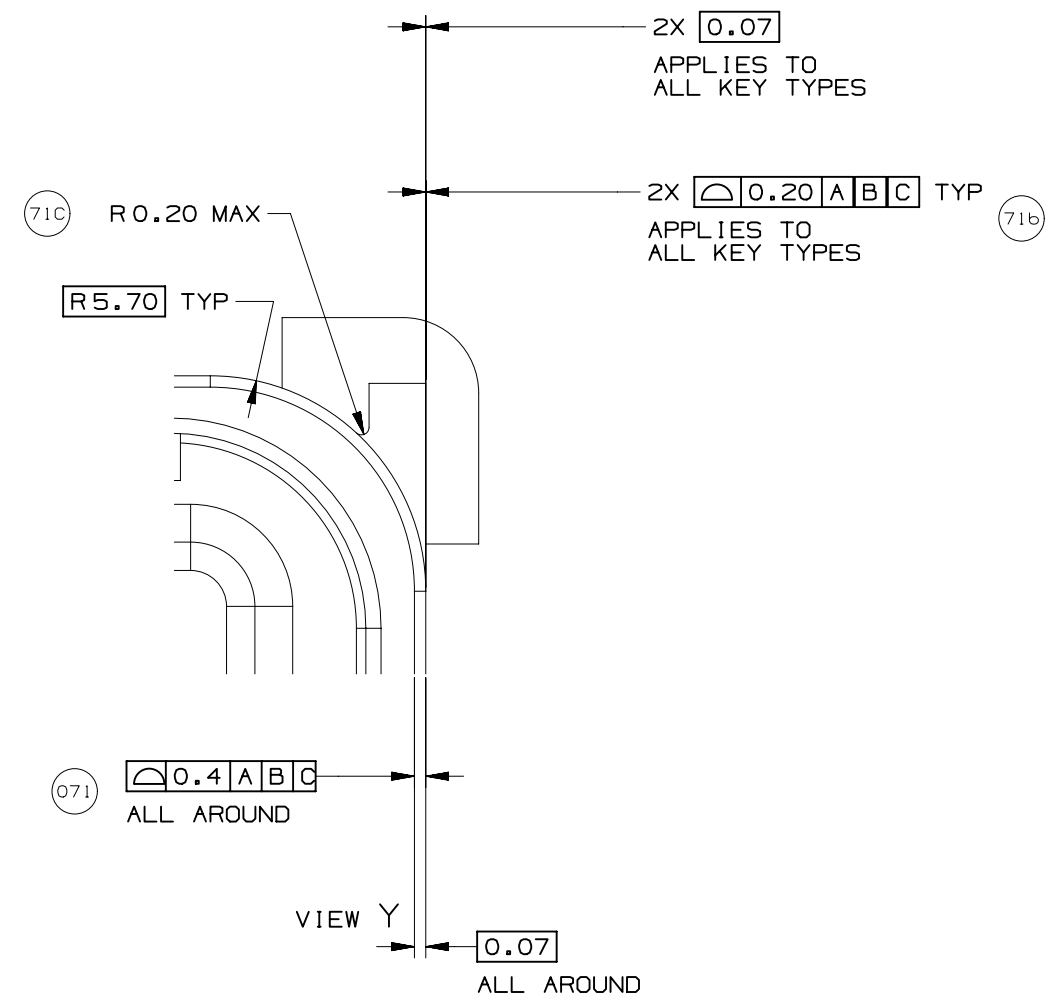
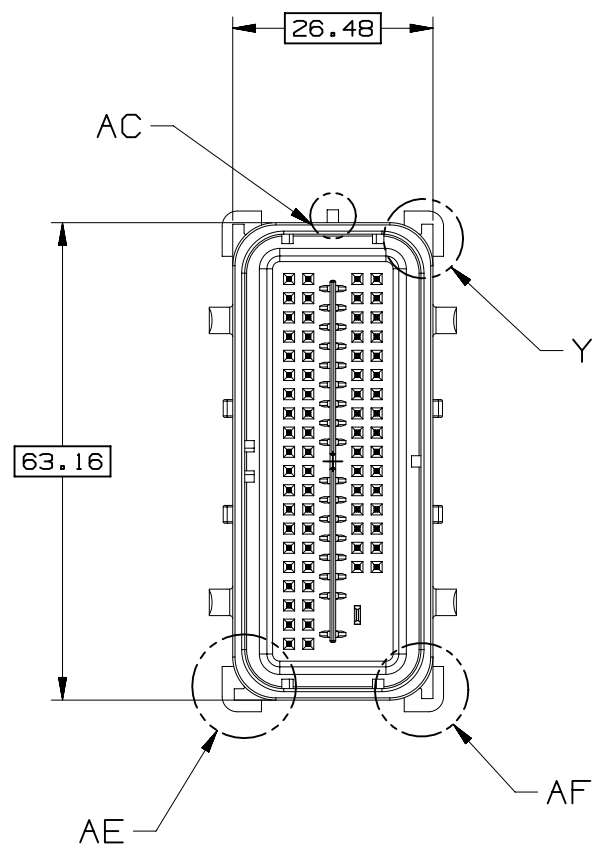
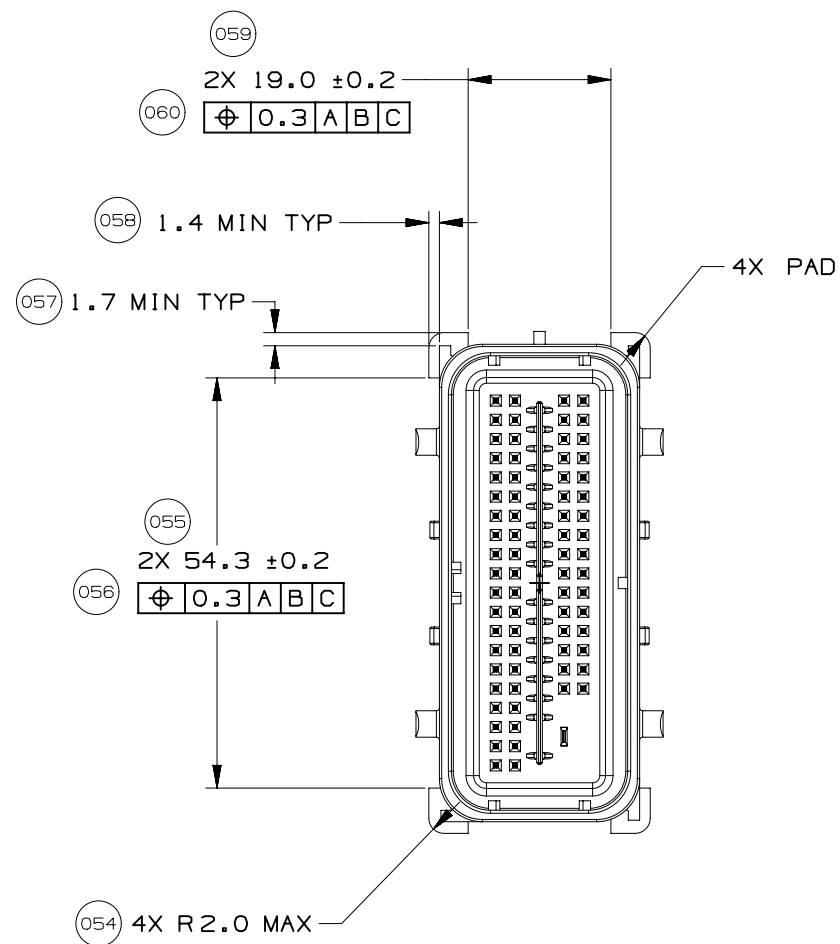
DWG STATUS			PAGE NUMBER
ST	REV	PD1	
R	001		15 OF 22



PAGE TITLE
COMPONENT CONNECTOR INTERFACE

DRAWING NUMBER
12672833

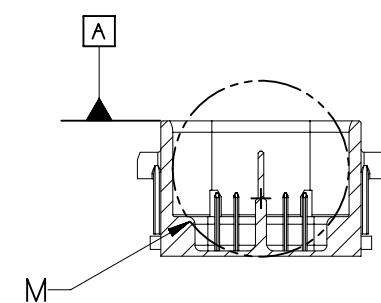
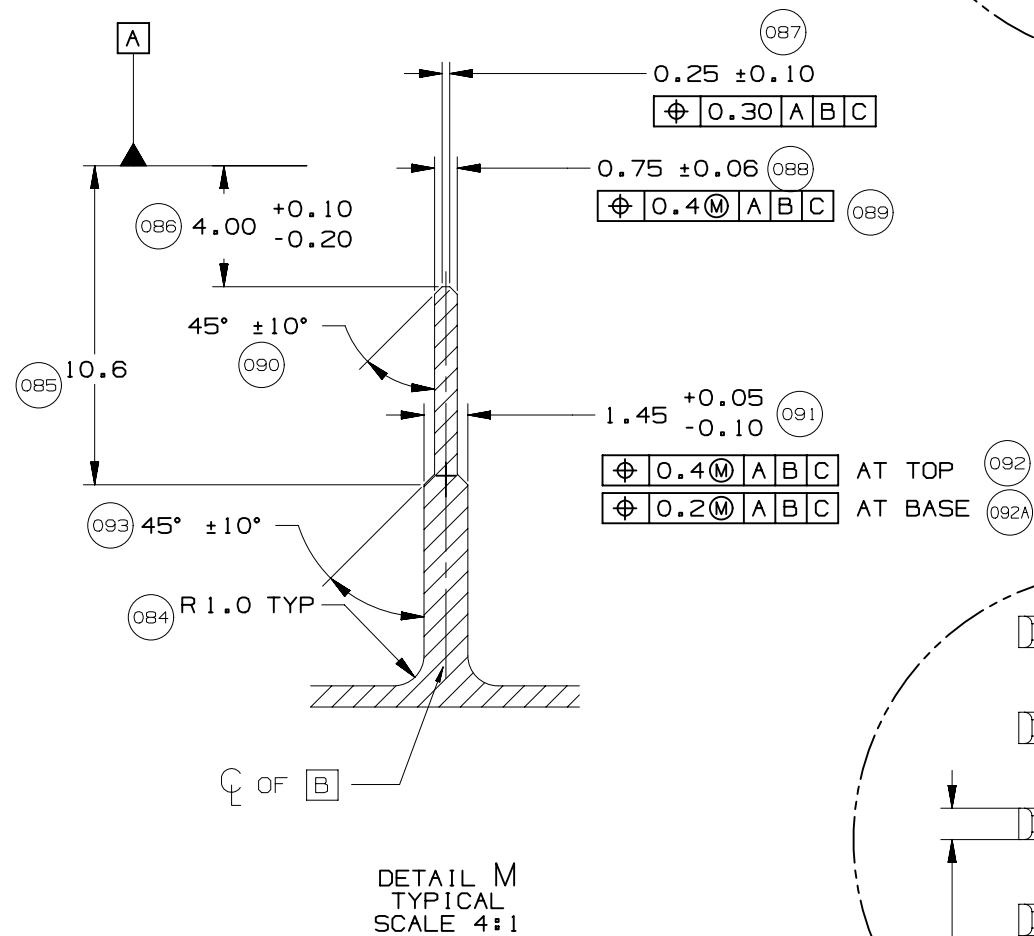
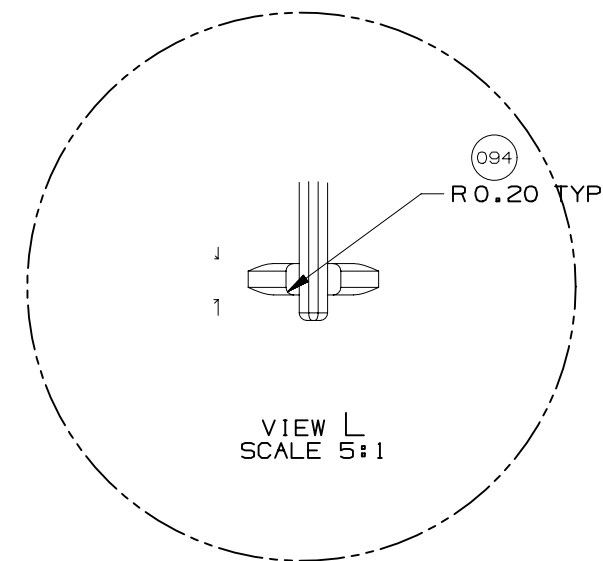
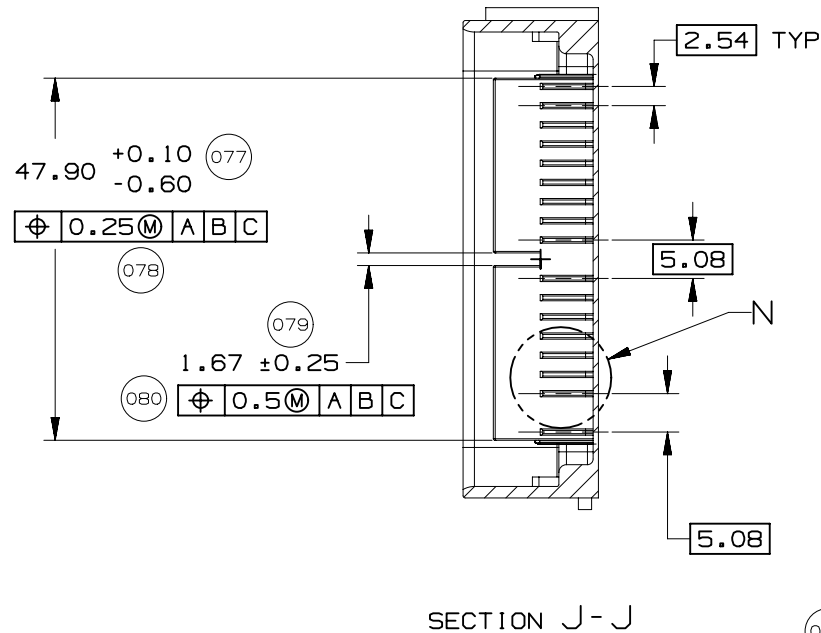
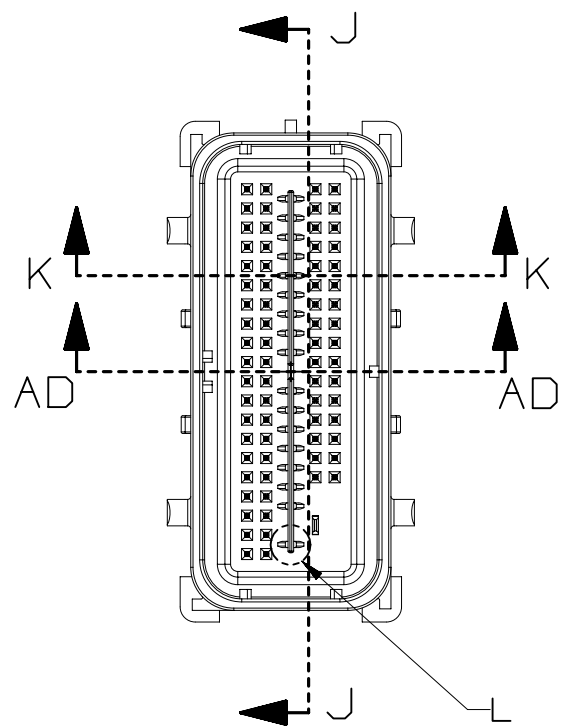
DWG STATUS			PAGE NUMBER
ST	REV	PDI	
R	001		16 OF 22



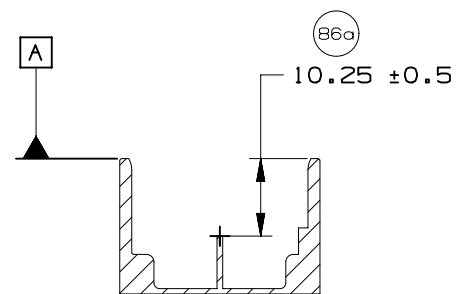
PAGE TITLE
 COMPONENT CONNECTOR INTERFACE

DRAWING NUMBER
 12672833

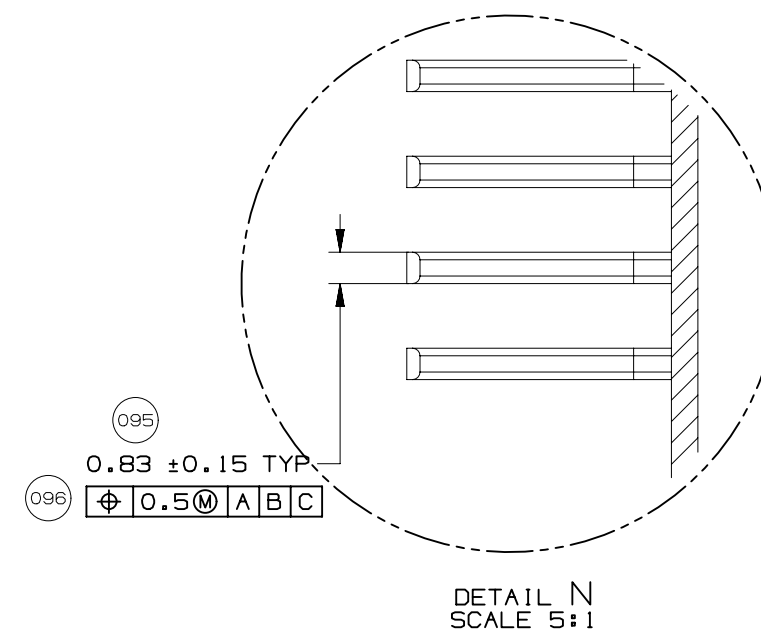
DWG STATUS			PAGE NUMBER	
ST	REV	PD1		
R	001		17	OF 22



SECTION K-K

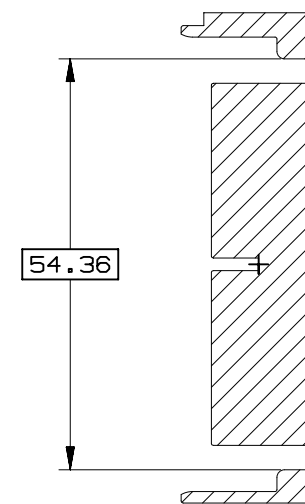
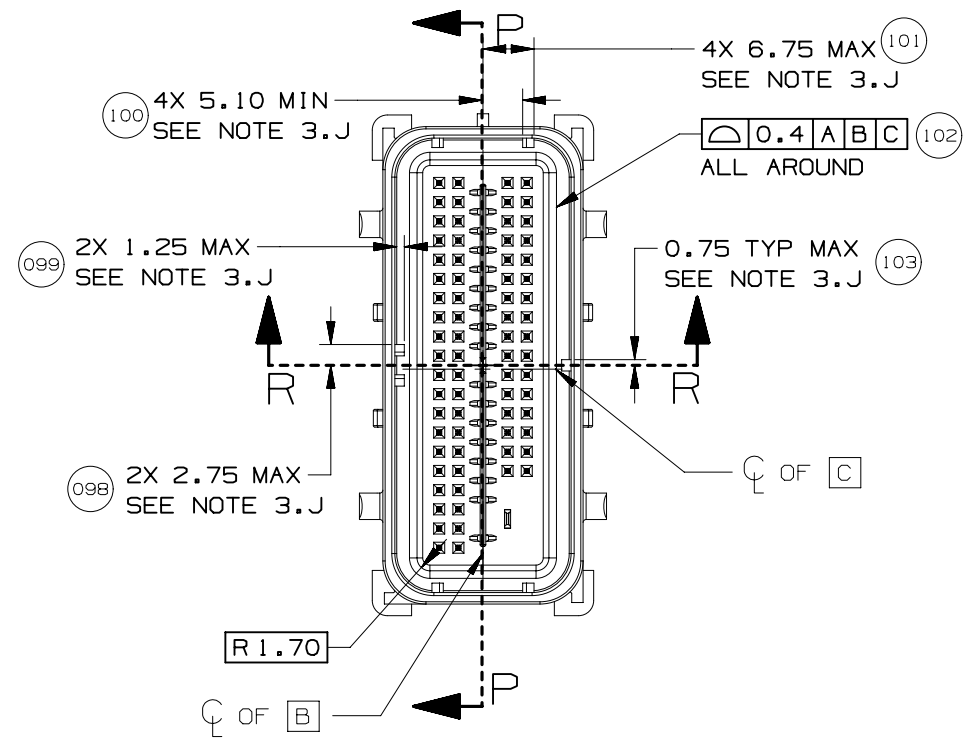


SECTION AD-AD

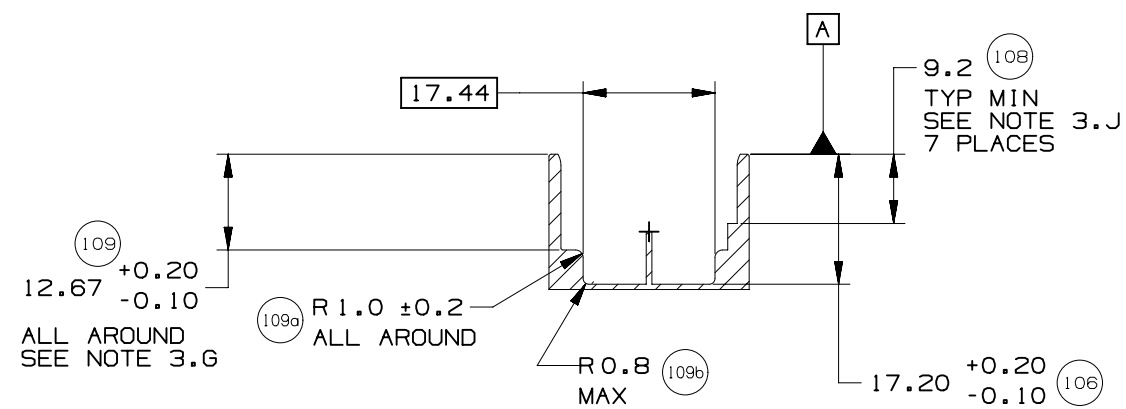


DETAIL N
SCALE 5:1





SECTION P-P



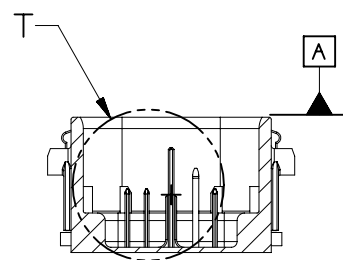
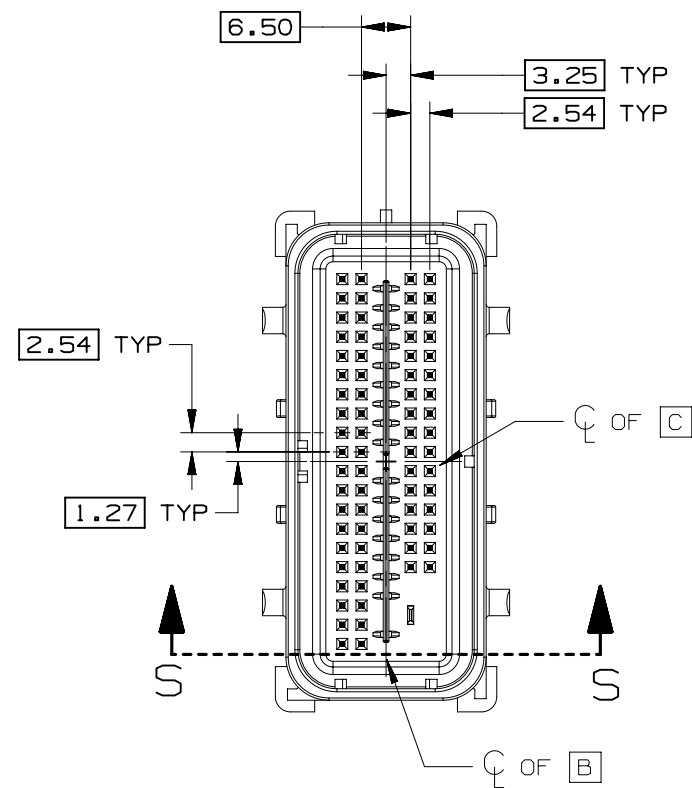
SECTION R-R



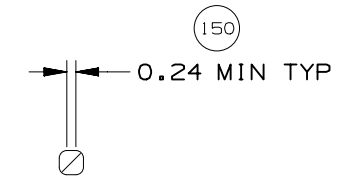
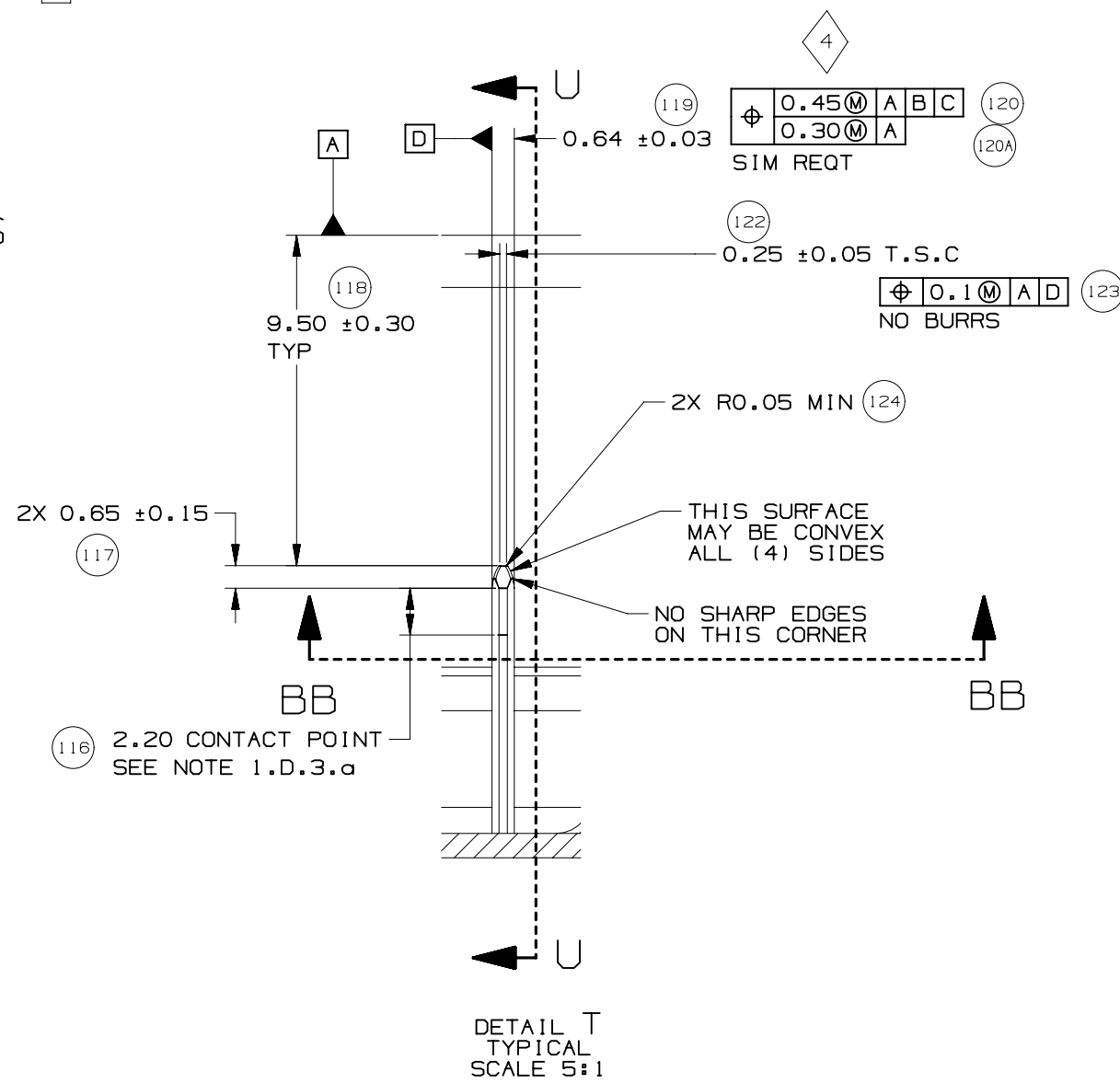
PAGE TITLE
COMPONENT CONNECTOR INTERFACE

DRAWING NUMBER
12672833

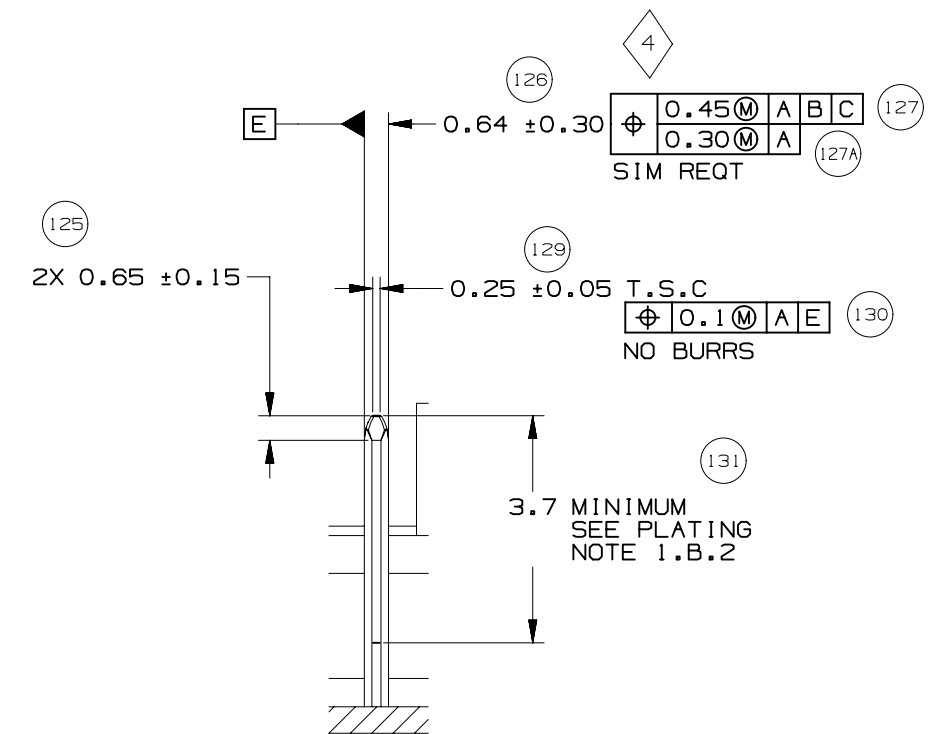
DWG STATUS			PAGE NUMBER	
ST	REV	PD1	19	OF 22
R	001			



SECTION S-S

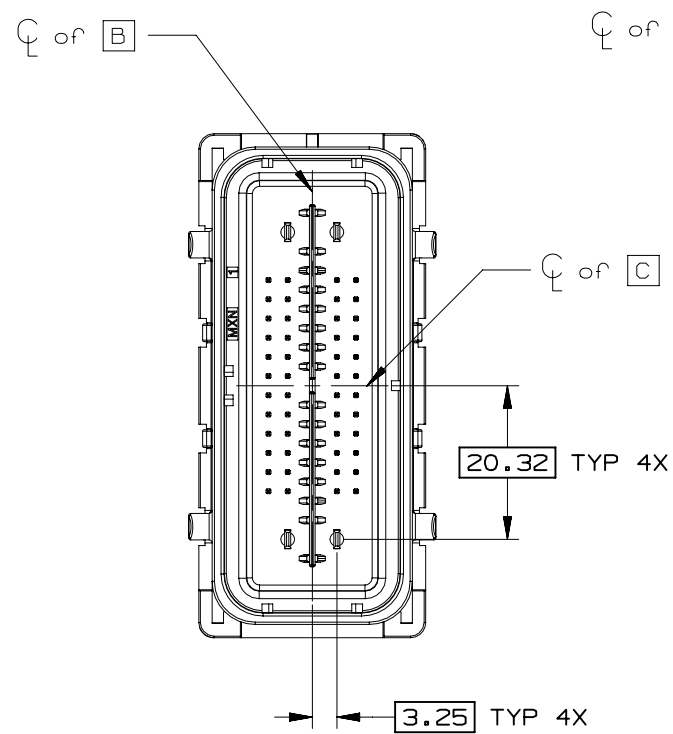


SECTION BB-BB

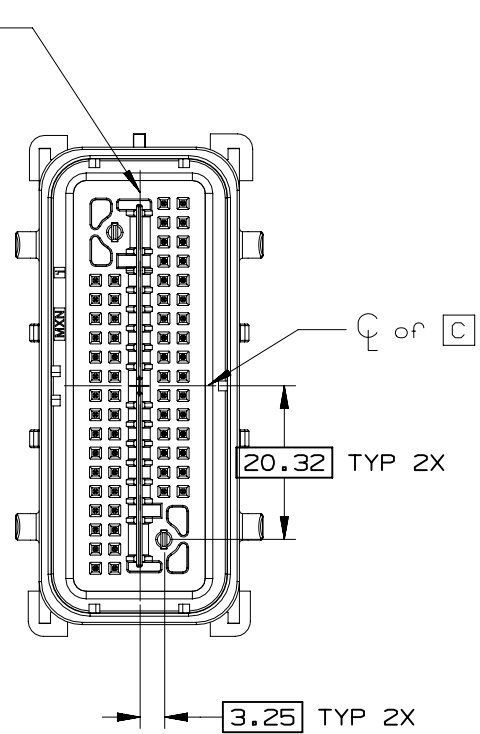


SECTION U-U TYPICAL

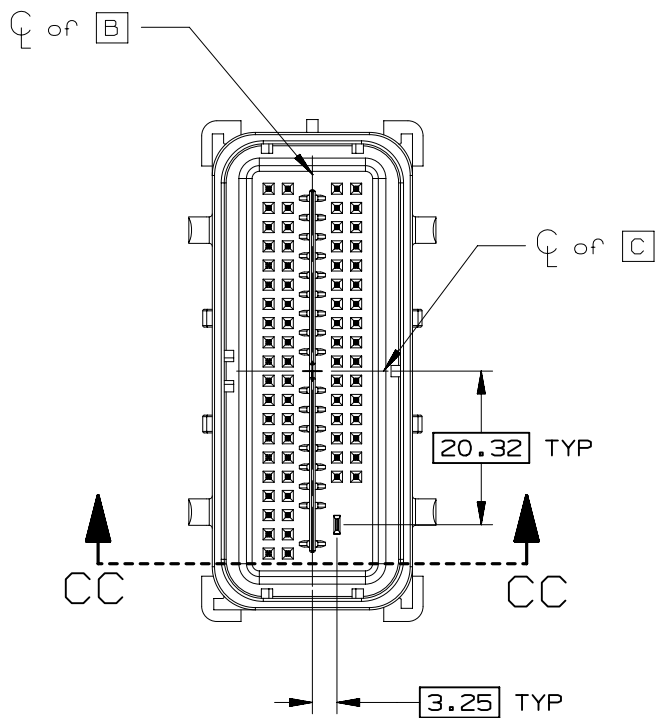




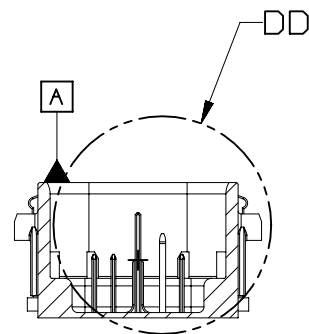
52 CKT COMPONENT
CONNECTOR INTERFACE



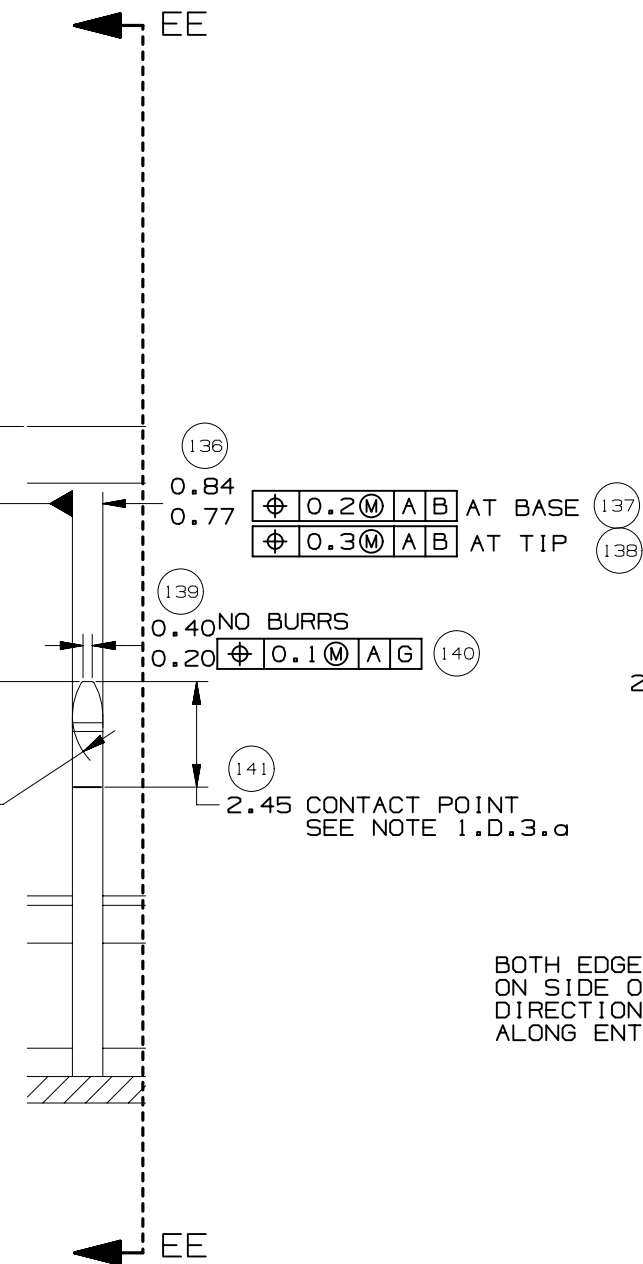
66 CKT COMPONENT
CONNECTOR INTERFACE



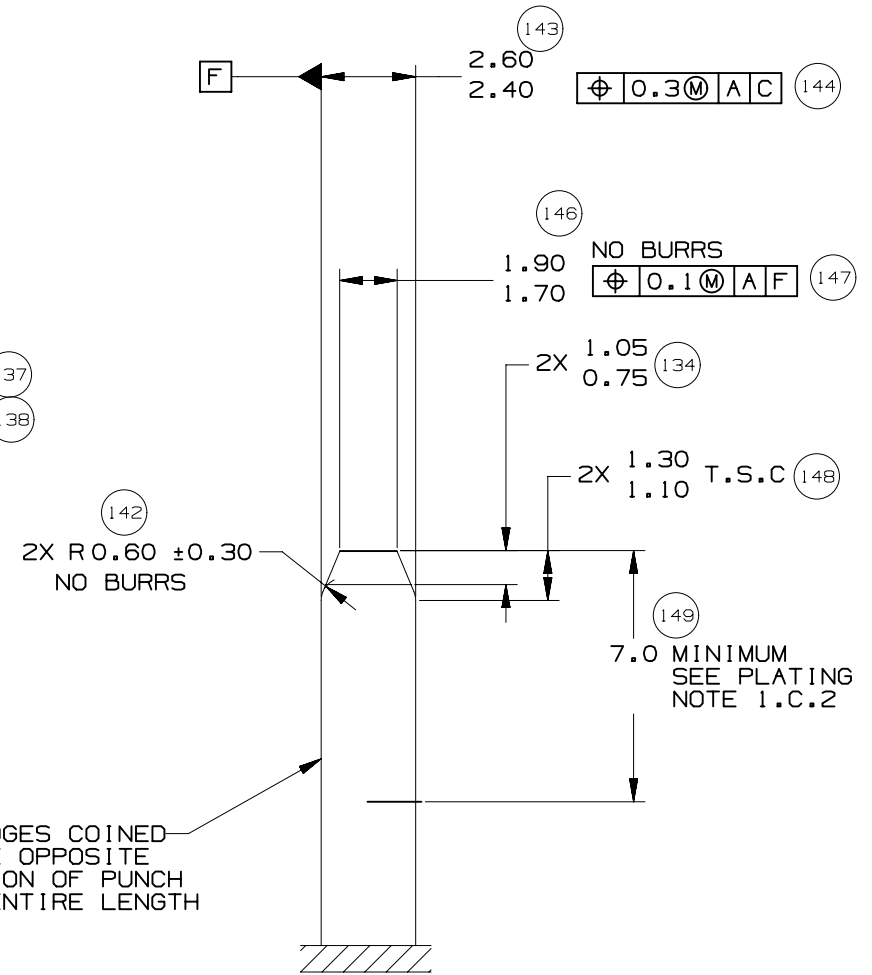
73 CKT COMPONENT
CONNECTOR INTERFACE



SECTION CC-CC



DETAIL DD
TYPICAL
SCALE 5:1



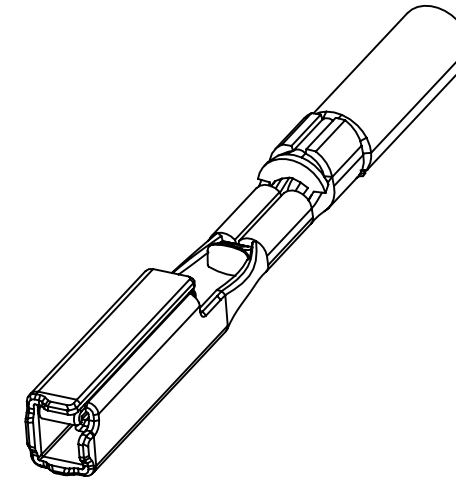
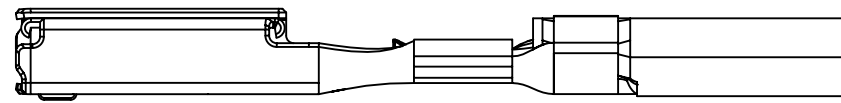
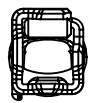
SECTION EE-EE
TYPICAL

BOTH EDGES COINED
ON SIDE OPPOSITE
DIRECTION OF PUNCH
ALONG ENTIRE LENGTH



MOLEX MX64 RECEPTACLE TERMINAL INFORMATION

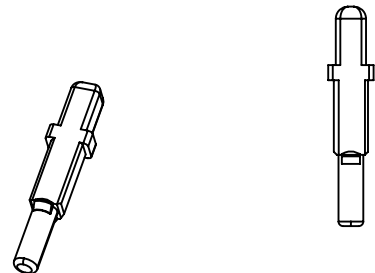
ITEM	MOLEX P/N	GM P/N	WIRE SIZE MM2	TYPE	PLATING	REEL WIND DIRECTION	COMMENTS
1	34736-0025		0.35	ISO	SILVER	LEFT	
2	34736-0026	12672850	0.35	ISO	SILVER	RIGHT	
3	34736-0027		0.5 / 0.75	ISO	SILVER	LEFT	
4	34736-0028	12672851	0.5 / 0.75	ISO	SILVER	RIGHT	



CAVITY PLUGS

ITEM	MFG	MFG P/N	GM P/N RD	SIZE	COLOR	MFG DRAWING	PROD SPEC	APP SPEC	COMMENTS
1	MOLEX	34586-0001	12674820	0.64	NATURAL	SD-34586-001	PS-34566-0000	AS-34566-001	
2	YAZAKI	7158-3114-90	12674821	2.8	BLUE	7158-3114-90	YPES-11-04-062	YPES-15-299	

ITEM 1



ITEM 2



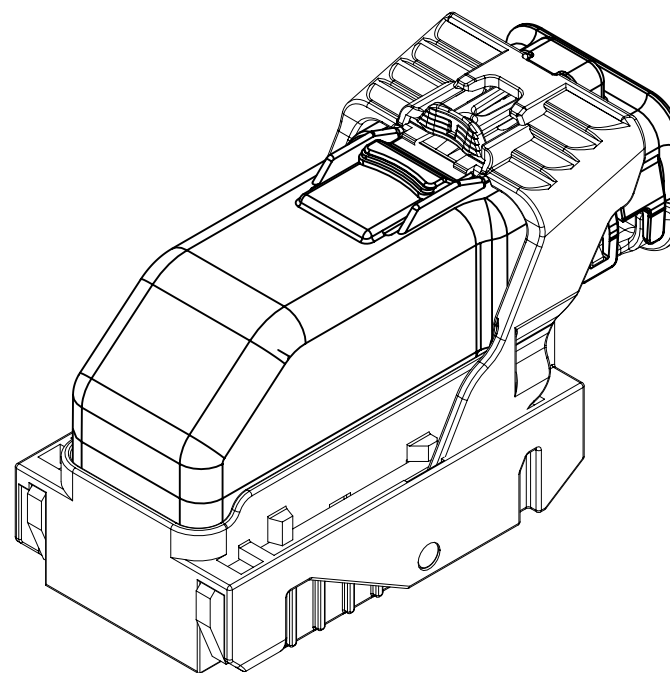
PAGE TITLE
ADDITIONAL COMPONENTS REQUIRED

DRAWING NUMBER
12672833


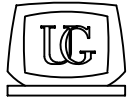
DWG STATUS		
ST	REV	PD1
R	001	

PAGE NUMBER
22 OF 22

INDEX	
PAGE TITLE	PAGE
TITLE BLOCK	1
REVISION BLOCK	2
PART BLOCK	3
KPC BLOCK	4
COMPONENT TABLE	5
NOTES	6
NOTES	7
WIRE DRESS PACKAGING DIMENSIONS	8
LOCATION AND PACKAGING DIMENSIONS REFERENCING INTERFACE DATUMS B & C	9
LOCATION AND PACKAGING DIMENSIONS REFERENCING INTERFACE DATUM A	10
KEY ID REF - WIRE DRESS OPTION 0	11
KEY ID REF - WIRE DRESS OPTION 9	12
CIRCUIT CONFIGURATIONS	13
CIRCUIT CONFIGURATIONS	14
COMPONENT CONNECTOR INTERFACE	15
COMPONENT CONNECTOR INTERFACE	16
COMPONENT CONNECTOR INTERFACE	17
COMPONENT CONNECTOR INTERFACE	18
COMPONENT CONNECTOR INTERFACE	19
COMPONENT CONNECTOR INTERFACE	20
COMPONENT CONNECTOR INTERFACE	21
ADDITIONAL COMPONENTS REQUIRED	22




ISO VIEW

	<p>UNLESS OTHERWISE SPECIFIED: THIS DOCUMENT IS IN ACCORDANCE WITH ASME Y14.5M-1994 AS AMMENDED BY THE GM GLOBAL DIMENSIONING AND TOLERANCING ADDENDUM-1997. ALL GEOMETRIC TOLERANCES AND RELATED DATUMS APPLY RFS. RULE #1 (PERFECT FORM AT MMC) DOES NOT APPLY WHEN A RELATIONSHIP BETWEEN FEATURES IS ESTABLISHED BY ORIENTATION OR LOCATION TOLERANCES. SEPARATE POSITION CALLOUTS MAY BE GAGED SEPARATELY REGARDLESS OF DATUM REFERENCES.</p>			DATE
	 CHANGE RESTRICTED NO MANUAL CHANGES	REFERENCE 12H (MOLEX AUTOMOTIVE)	DRAFTER APVD1	05JN15
DO NOT SCALE		APVD2		
METRIC DIMENSIONS SHOWN IN MILLIMETERS UNLESS OTHERWISE SPECIFIED		APVD3		
	DRAWING NAME	APVD4		
	HARNESS CONN ASM-SEALED 52/66/73/80 CKTS, MX123	APVD5		
	DRAWING NUMBER	DWG STATUS		
	12672833	ST	REV	
		R	001	
		PAGE NUMBER		
		1 OF 22		

PAGE	DWG STATUS					REVISION HISTORY	AUTH	DR	CK	ENG
	DATE	ST	REV	CHG	PDI					
	05JN15	R	001			RELEASED TO PRODUCTION AT DLS A	CRMRJE	DFK		

PAGE	DWG STATUS					REVISION HISTORY	AUTH	DR	CK	ENG
	DATE	ST	REV	CHG	PDI					

	PAGE TITLE	DRAWING NUMBER	DWG STATUS			PAGE NUMBER	
	REVISION BLOCK		12672833	ST	REV	PDI	2 OF 22
				R	001		

KEY PRODUCT CHARACTERISTICS
(IN ACCORDANCE WITH QN 1805 OR ON 1050)



SAFETY/COMPLIANCE

TOTAL ON
DRAWING

4



FIT/FUNCTION

LAST NO.
USED

4

NO	TYPE	DESCRIPTION	RATIONALE	PAGE/ZONE
1	F/F	32.68	IMPROVE CONNECTOR SYSTEM MATING	16
2	F/F	29.00	INSURE PROPER RELEASE OF LEVER	16
3	F/F	15.25	INSURE FINAL MATE POSITION	17
4	F/F	POSITIONAL TOLERANCE (2 PLACES)	INSURE CONNECTOR SYSTEM MATEABILITY	20



PAGE TITLE
KPC BLOCK

DRAWING NUMBER

12672833

DWG STATUS

ST	REV	PDI
----	-----	-----

R	001	
---	-----	--

PAGE NUMBER

4 OF 22

LINE	MFG.	MFG. P/N	GM P/N	EFFECTIVE DATE	APPLICABLE COMPONENTS	KEY OPTION	WIRE DRESS OPTION	KEY CONFIG.	COLOR	STATUS
					DESCRIPTION					
-										
1	MOLEX	34565-0003	12582676	02JN03	MX123 DRESS COVER 52/66/73/80 CKT	N/A	N/A	N/A	BLACK	AVAILABLE
2	MOLEX	160094-0001	12672852	01SP13	MX123 HRNS CONN ASSY 52 CKT	A	0	1458	BLACK	AVAILABLE
3	MOLEX	160094-0003	12672854	01SP13	MX123 HRNS CONN ASSY 52 CKT	C	0	2467	BLUE	AVAILABLE
4	MOLEX	160094-0013	12672853	01SP13	MX123 HRNS CONN ASSY 52 CKT	A	9	1458	BLACK	AVAILABLE
5	MOLEX	160094-0015	12672855	01SP13	MX123 HRNS CONN ASSY 52 CKT	C	9	2467	BLUE	AVAILABLE
6	MOLEX	34822-0013	12672856	01SP13	MX123 HRNS CONN ASSY 66 CKT	A	0	1458	BLACK	AVAILABLE
7	MOLEX	34822-0033	12672858	01SP13	MX123 HRNS CONN ASSY 66 CKT	C	0	2467	BLUE	AVAILABLE
8	MOLEX	34822-0023	12672857	01SP13	MX123 HRNS CONN ASSY 66 CKT	A	9	1458	BLACK	AVAILABLE
9	MOLEX	34822-0043	12672859	01SP13	MX123 HRNS CONN ASSY 66 CKT	C	9	2467	BLUE	AVAILABLE
10	MOLEX	34566-0103	12672860	11JN04	MX123 HRNS CONN ASSY 73 CKT	A	0	1458	BLACK	AVAILABLE
11	MOLEX	34566-0203	12672862	11JN04	MX123 HRNS CONN ASSY 73 CKT	B	0	1468	ST GRAY	AVAILABLE
12	MOLEX	34566-0303	12672864	09AP08	MX123 HRNS CONN ASSY 73 CKT	C	0	2467	BLUE	AVAILABLE
13	MOLEX	34566-0603	12672866	05DC14	MX123 HRNS CONN ASSY 73 CKT	F	0	1357	NATURAL	AVAILABLE
14	MOLEX	34566-1303	12672861	11JN04	MX123 HRNS CONN ASSY 73 CKT	A	9	1458	BLACK	AVAILABLE
15	MOLEX	34566-1403	12672863	11JN04	MX123 HRNS CONN ASSY 73 CKT	B	9	1468	ST GRAY	AVAILABLE
16	MOLEX	34566-1503	12672865	09AP08	MX123 HRNS CONN ASSY 73 CKT	C	9	2467	BLUE	AVAILABLE
17	MOLEX	34566-1803	12672867	05DC14	MX123 HRNS CONN ASSY 73 CKT	F	9	1357	NATURAL	AVAILABLE
18	MOLEX	34566-0703	12672872	09AP08	MX123 HRNS CONN ASSY 80 CKT	G	0	1358	BLUE	AVAILABLE
19	MOLEX	34566-0803	12672870	11JN04	MX123 HRNS CONN ASSY 80 CKT	H	0	2458	ST GRAY	AVAILABLE
20	MOLEX	34566-0903	12672868	T.B.D	MX123 HRNS CONN ASSY 80 CKT	J	0	2457	BLACK	NOT ACTIVE
21	MOLEX	34566-1903	12672873	09AP08	MX123 HRNS CONN ASSY 80 CKT	G	9	1358	BLUE	AVAILABLE
22	MOLEX	34566-2003	12672871	11JN04	MX123 HRNS CONN ASSY 80 CKT	H	9	2458	ST GRAY	AVAILABLE
23	MOLEX	34566-2103	12672869	T.B.D	MX123 HRNS CONN ASSY 80 CKT	J	9	2457	BLACK	NOT ACTIVE
24	MOLEX	34736-0028	12672851	01AU10	MX64 RCPT TERM Ag 0.5mm/0.75mm ISO GAGE B (RIGHT PAYOFF)	N/A	N/A	N/A	N/A	AVAILABLE
25	MOLEX	34736-0026	12672850	01AU10	MX64 RCPT TERM Ag 0.35mm ISO GAGE B (RIGHT PAYOFF)	N/A	N/A	N/A	N/A	AVAILABLE
26	MOLEX	34586-0001	12674820	11JN04	MX123 0.64mm GROMMET PLUG	N/A	N/A	N/A	NATURAL	AVAILABLE
27	YAZAKI	7116-4150-02	12588066	02JN03	2.8mm YESC SEALED FEMALE TERMINAL TIN 0.35mm2-0.50mm2	N/A	N/A	N/A	N/A	NOT ACTIVE
28	YAZAKI	7116-4151-02	12588067	02JN03	2.8mm YESC SEALED FEMALE TERMINAL TIN 0.75mm2-1.0mm2	N/A	N/A	N/A	N/A	NOT ACTIVE
29	YAZAKI	7116-4152-02	12582685	02JN03	2.8mm YESC SEALED FEMALE TERMINAL TIN 1.5mm2-2.5mm2	N/A	N/A	N/A	N/A	AVAILABLE
30	YAZAKI	7158-3111-60	12588068	02JN03	2.8mm CABLE SEAL (wire O.D. range 1.2mm-1.9mm)	N/A	N/A	N/A	GREEN	NOT ACTIVE
31	YAZAKI	7158-3112-70	12588069	02JN03	2.8mm CABLE SEAL (wire O.D. range 1.8mm-2.3mm)	N/A	N/A	N/A	YELLOW	NOT ACTIVE
32	YAZAKI	7158-3113-40	12582686	02JN03	2.8mm CABLE SEAL (wire O.D. range 2.1mm-3.0mm)	N/A	N/A	N/A	WHITE	AVAILABLE
33	YAZAKI	7158-3114-90	12674821	02JN03	2.8mm YESC CAVITY PLUG	N/A	N/A	N/A	BLUE	AVAILABLE
34	MOLEX	63825-8400	N/A	02JN03	MX64 TERM HAND CRIMP TOOL	N/A	N/A	N/A	N/A	AVAILABLE
35	MOLEX	63813-1400	XX019826	02JN03	MX64 TERM SERVICE TOOL	N/A	N/A	N/A	N/A	AVAILABLE
36	MOLEX	63902-5300	N/A	02JN03	MX64 CRIMP APPLICATOR with TOOL KIT 0.5/0.75mm2 PAYOFF DIRECTION D (left payoff) (contact Molex for payoff detail)	N/A	N/A	N/A	N/A	AVAILABLE
37	MOLEX	63902-5370	N/A	02JN03	MX64 APPLICATOR TOOL KIT 0.5/0.75mm2	N/A	N/A	N/A	N/A	AVAILABLE
38	MOLEX	63902-5100	N/A	02JN03	MX64 CRIMP APPLICATOR with TOOL KIT 0.35mm2 PAYOFF DIRECTION D (left payoff) (contact Molex for payoff detail)	N/A	N/A	N/A	N/A	AVAILABLE
39	MOLEX	63902-5170	N/A	02JN03	MX64 APPLICATOR TOOL KIT 0.35mm2	N/A	N/A	N/A	N/A	AVAILABLE
40	SPX	J35616-64	T.B.D.	02JN03	0.64mm PROBE TOOL (for rcpt)	N/A	N/A	N/A	N/A	AVAILABLE
41	SPX	J35616-64A	T.B.D.	02JN03	0.64mm PROBE TOOL WITH EXT (for rcpt)	N/A	N/A	N/A	N/A	AVAILABLE
42	SPX	J35616-65	T.B.D.	02JN03	0.64mm PROBE TOOL WITH EXT (for pin)	N/A	N/A	N/A	N/A	AVAILABLE
43	SPX	J35616-4A	T.B.D.	02JN03	2.8mm PROBE TOOL (for rcpt)	N/A	N/A	N/A	N/A	AVAILABLE
44	YAZAKI	X39899-J374	12094430	02JN03	2.8mm TERM SERVICE TOOL	N/A	N/A	N/A	N/A	AVAILABLE
45	TQI	7000-1006	N/A	15JN15	52 CKT PASS THROUGH ADAPTERS	N/A	N/A	N/A	BLACK	AVAILABLE
46	TQI	7000-1002	N/A	15JN15	66 CKT PASS THROUGH ADAPTERS	N/A	N/A	N/A	BLACK	AVAILABLE
47	TQI	79917-0061	N/A	15JN15	73 CKT PASS THROUGH ADAPTERS	N/A	N/A	N/A	BLACK	AVAILABLE
48	TQI	79917-0066	N/A	15JN15	80 CKT PASS THROUGH ADAPTERS	N/A	N/A	N/A	BLACK	AVAILABLE

* - MX123 DRESS COVER 52/66/73/80 CKT MATES TO ANY MX123 HARN CONN ASSY SHOWN ON TABLE ABOVE



PAGE TITLE
COMPONENT TABLE

DRAWING NUMBER

12672833

DWG STATUS

ST REV PDI

R 001

PAGE NUMBER

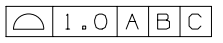
5 OF 22

NOTES: UNLESS OTHERWISE SPECIFIED

1. MATERIAL FOR INTERFACE:


- A. RESIN:
 - 1. 30% G.F. PBT; 20% MAX. (BY WEIGHT) REGRIND.
 - 2. MATING CONNECTOR INTERFACE PART COLOR MUST BE SAME AS MATCHING KEYED HARNESS CONNECTOR ASSEMBLY.
 - 3. MUST BE VALIDATED FOR INDIVIDUAL DEVICE APPLICATION REQUIREMENTS.
- B. 0.64MM PINS:
 - 1. BASE MATERIAL: COPPER ALLOY; CONDUCTIVITY >= 28% IACS AT 20°C; TENSILE STRENGTH >= 635 N/mm²; SURFACE ROUGHNESS R_a 6 MAX.
 - 2. PLATING FINISH: SILVER (Ag). PLATING TO BE 1.9-3.3 μm ELECTRODEPOSITED SEMI-BRIGHT SILVER OVER 1.25-2.25 μm DUCTILE SULPHAMATE NICKEL PER NOTE 1(D).
 - 3. ANTI-TARNISH: SYNTHETIC HYDROCARBON CONTACT SURFACE FINISH OR EQUIVALENT APPLIED WITHOUT VOID TO CONTACT AREA (MIN 3.7mm FROM PIN TIP).
- C. 2.8MM BLADE:
 - 1. BASE MATERIAL: COPPER ALLOY; CONDUCTIVITY >= 28% IACS AT 20°C; TENSILE STRENGTH >= 350 N/mm²; SURFACE ROUGHNESS R_a 6 MAX.
 - 2. PLATING FINISH: TIN. PLATING TO BE 2.5-5.0 μm ELECTRODEPOSITED TIN, MATTE FINISH OVER 1.25-2.5 μm DUCTILE SULPHAMATE NICKEL PER NOTE 1(D).
- D. PLATING REQUIREMENTS:
 - 1. SILVER PLATING
 - a. 99.5% PURE SEMI-BRIGHT WITH NO ORGANIC BRIGHTNERS OR CHROMATES.
 - 2. NICKEL PLATING
 - a. ELECTRODEPOSITED DUCTILE SULFAMATE NICKEL WITH A NON-BRIGHTENED FINISH. NO ORGANIC OR BRIGHTENING AGENTS SHALL BE ALLOWED.
 - b. SHALL ONLY BE USED AS AN UNDERLYING PLATING AND MAY NOT BE USED AS AN ELECTRICAL CONTACT SURFACE PLATING.
 - c. SHALL BE NODULE FREE WHEN VIEWED AT 10X MAGNIFICATION IN MEASURED IN CONTACT SURFACE AREA PLUS 0.5MM PERIMETER AROUND THE CONTACT SURFACE AREA.
 - d. ALL PLATINGS SHALL HAVE A 1.0% MAXIMUM BY WEIGHT IMPURITIES. IMPURITIES ARE DEFINED AS ALL ELEMENTS NOT THE PRIMARY PLATING OR HARDENING AGENT IF APPLICABLE, AS DETERMINED BY WET CHEMICAL ANALYSIS OR AUGER METHOD. NO SINGLE IMPURITY SHALL EXCEED 0.1% MAXIMUM BY WEIGHT.
 - 3. TESTING
 - a. THICKNESS TO BE MEASURED IN CONTACT SURFACE AREA PLUS 0.5MM PERIMETER AROUND THE CONTACT SURFACE AREA AS DESIGNATED IN THE DRAWING. THICKNESS SHALL BE DETERMINED BY METHOD OF X-RAY (XRF).
 - b. PLATING ADHESION SHALL BE TESTED BY A BEND TEST FOR ALL METALS. THE TEST SAMPLE SHALL BE BENT 90 DEGREES TO DETERMINE DEPOSIT ADHESION. TESTING SHALL BE COMPLETED IN ACCORDANCE WITH ASTM SPEC B571.

2. DESIGN - GENERAL:

- A. THIS IS A 100% CAD GENERATED PART. THE CAD MATHEMATICAL DATA IS THE MASTER FOR THIS PART. FOR DIMENSIONAL OR ANY INFORMATION NOT SHOWN ON THIS DRAWING, ANALYZE THE CAD MODEL.
- B. TOLERANCES:
 - 1. LINEAR
 - 0.X ± 0.30
 - 0.XX ± 0.10
 - 0.XXX ± 0.10
 - 2. ANGULAR X° ± 3°
 - 3. 
- C. MINIMUM WALL THICKNESS REQUIRED: 1.3mm.
- D. CORNERS SHOWN AS SHARP TO BE R 0.2 MAX.
- E. LETTERING SHALL BE 0.15 MAX RAISED IN 0.20 MAX RECESS PAD. THIS INCLUDES MATERIAL CODE, RECYCLING CODE, CAVITY ID AND DATE CODE.
- F-1. PARTS MUST BE FREE OF DISCOLORATION, SALT RESIDUE AND OTHER IMPERFECTIONS THAT AFFECT FIT OR FUNCTION.
- F-2. SCRATCHES OR DENTS NOT TO EXCEED 0.013mm IN DEPTH.
- G. FOLLOWING PRODUCTION CODES TO BE PERMANENTLY MARKED & HUMAN READABLE TO A LETTER HEIGHT OF 1.5 ± 0.5MM X 0.3 MAX DEEP
 - 1. MATERIAL #: XXXXX-XXXX
 - 2. DATE CODE: JJYY (JULIAN DAY, LAST DIGIT OF YEAR)
 - 3. INSPECTION MACHINE CODE + SERIAL #: X_XXXXX

3. DESIGN - MANUFACTURING:

- A. DRAFT TO BE WITHIN TOLERANCE.
- B. ALLOWABLE FLASH MAX 0.2 HIGH X MAX 0.13 THICK.
- C. ALLOWABLE PARTING LINE MISMATCH 0.2 MAX.
- D. EJECTOR PINS MARK TO BE FLUSH TO 0.25 MAX DEPRESSED.
- E. ALLOWABLE GATE VESTIGE FLUSH TO 0.25 MAX PROTRUSION.
- F. NO EXTERNAL MOLD RELEASE AGENT ALLOWED DURING MANUFACTURING.
- G. STEEL THAT FORMS THE INDICATED SURFACE MUST BE POLISHED WITH A DIAMOND FINISH (SPI A-2) OVER THE FULL PERIPHERY OF THE TOOL. SURFACE MUST HAVE NO MISMATCH.
- H. ANY PROCESS LUBRICANT REMAINING ON THE TERMINAL MUST NOT VARNISH OR DEGRADE IT'S ELECTRICAL PERFORMANCE UP TO A MAXIMUM CLASS AMBIENT TEMPERATURE PER SAE USCAR-2 FOR 1008 HOURS. PROCESS LUBRICANTS SHOULD BE APPROVED BY THE RESPONSIBLE ENGINEER.
- J. OPTIONAL FEATURES PROVIDED FOR AUTOMATION.
- K. PART MUST BE FREE FROM BURRS AND SHARP EDGES, WHICH MIGHT BE DETRIMENTAL TO SATISFACTORY ASSEMBLY, SAFE HANDLING OR FUNCTION OF PART.
- L. PARTS AS DELIVERED TO ASSEMBLY SHALL BE CLEAN AND FREE OF DEBRIS, RESIDUAL ABRASIVE MATERIAL AND CORROSION PRODUCTS ADVERESLY AFFECTING FUNCTION OR APPEARANCE.
- M. RESTRICTED AND REPORTABLE SUBSTANCES FOR PARTS PER GMW3059.

	PAGE TITLE	DRAWING NUMBER 12672833	DWG STATUS			PAGE NUMBER 6 OF 22
	NOTES		ST	REV	PDI	
			R	001		

NOTES: UNLESS OTHERWISE SPECIFIED

4. SYSTEM REQUIREMENTS:

- A. HARNESS CONNECTOR IS COMPATIBLE WITH THE FOLLOWING ISO WIRE SIZE NO'S:
 0.35mm², MEETING GMW15626 - MIN OD OF 1.30MM
 0.50mm², MEETING GMW15626
 0.75mm², MEETING GMW15626 - MAX OD OF 2.06MM

B. CABLE TIE SPECIFICATIONS:

1. CABLE TIE:
 - TENSILE RATING: 220N / (50lbs) MIN
 - TIE LENGTH: 186mm MIN
 - TIE WIDTH: 4.75mm MAX
 - MATERIAL: NYLON
2. INSTALLATION:
 - CABLE TIE TENSION: 190N MIN
3. DRESSED WIRE BUNDLE PACKAGING: SEE FIG. 1

C. WHEN MATED WITH COMPONENT CONNECTOR INTERFACE AND/OR DRESS COVER, HARNESS CONNECTOR SYSTEM CONFORMS TO THE FOLLOWING:

1. SAE/USCAR-2, REV: 3 APRIL, 2001; CLASS 3
2. FIELD CORRELATED LIFE TEST, SAE/USCAR-20, NOV. 2001
3. GMW #3191 AUGUST 22, 2000 (DRAFT); TEMPERATURE CLASS 3, SEALING CLASS 1, VIBRATION CLASS 2
4. RESTRICTED AND REPORTABLE CHEMICALS PER GMW #3059, REV: D AUGUST 2002
5. TPA USER FORCES (FULLY POPULATED WITH TERMINALS)
 - a. REMOVAL FROM LOCK TO PRE-SET: <=120N

D. WIRE SPECIFICATIONS:

1. WIRE SURFACE MUST BE FREE OF SCRATCHES, GROOVES OR DENTS WHERE FUNCTIONAL

5. TERMINAL CURRENT RATINGS:

A. MX64 RCPT TERM

ALL TESTING DONE IN ACCORDANCE WITH USCAR-2 REV5 SECTION 5.3

1. MX64 RCPT TERM Ag 0.50/0.75mm² CRIMPED TO 0.75mm² ISO WIRE AND MATED TO MX123 0.64MM PIN: SEE TABLE BELOW
2. MX64 RCPT TERM Ag 0.35mm² CRIMPED TO 0.35mm² ISO WIRE AND MATED TO MX123 0.64MM PIN: SEE TABLE BELOW

WIRE	CURRENT RATING			
	23°C	85°C	105°C	125°C
0.75mm ²	11.3A	11.3A	9.5A	6.6A
0.50mm ²	10.0A	10.0A	8.3A	5.7A
0.35mm ²	8.5A	8.5A	7.1A	5.0A

B. 2.8MM RCPT TERM

ALL TESTING DONE IN ACCORDANCE WITH MOLEX DVP&R 0279 (TR # 7125)

1. 2.8MM RCPT TERM TIN 2.0mm² CRIMPED TO 2.0mm² ISO WIRE AND MATED TO MX123 2.8MM BLADE: 25.6 AMPS AT 125°C

6. CONTACT MOLEX AUTOMOTIVE FOR AVAILABLE CUSTOM PATTERNS OF CAVITIES OPEN FOR CIRCUITS - SEE GM DRAWING 13507496



PAGE TITLE
NOTES

DRAWING NUMBER

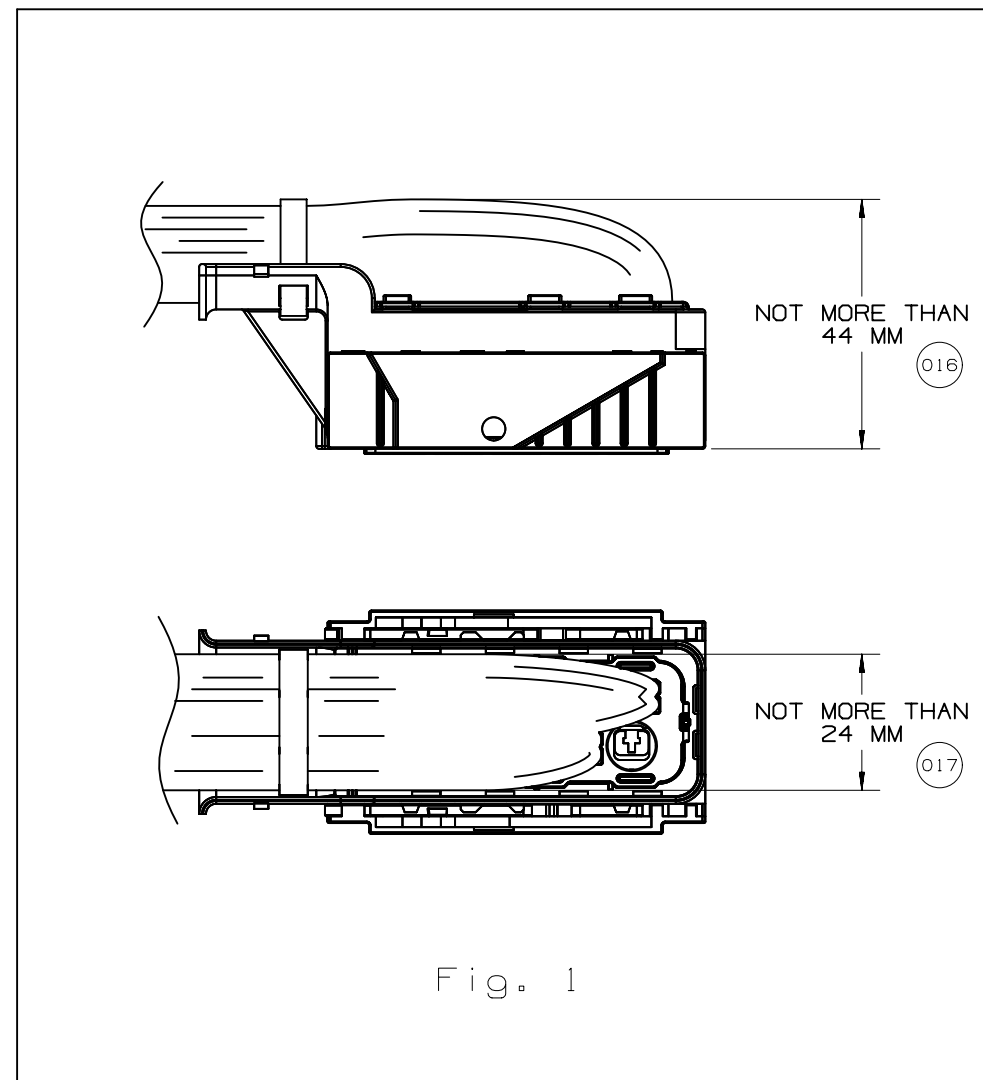
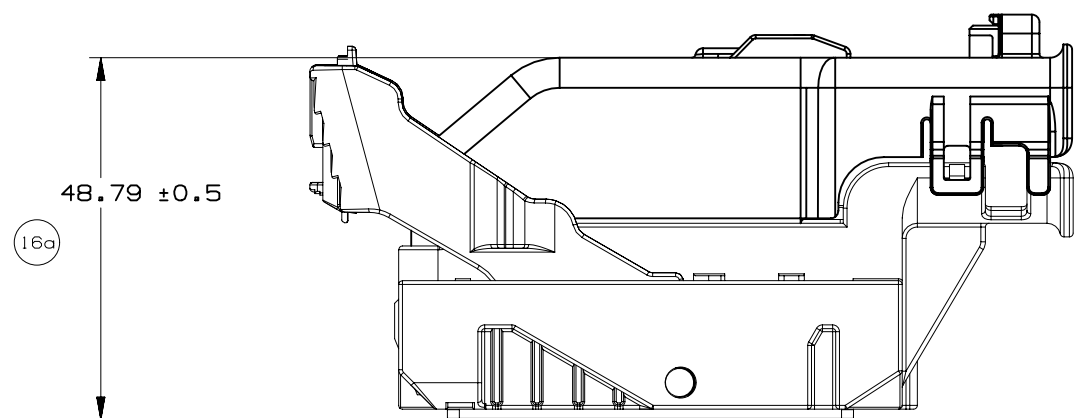
12672833

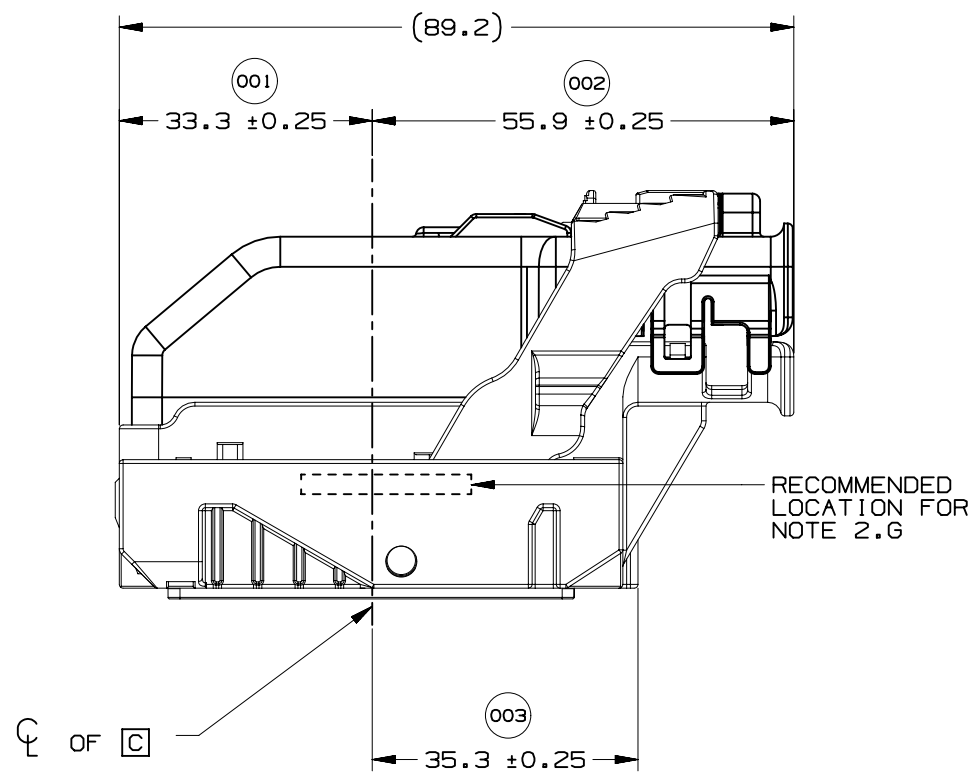
DWG STATUS

ST	REV	PDI
R	001	

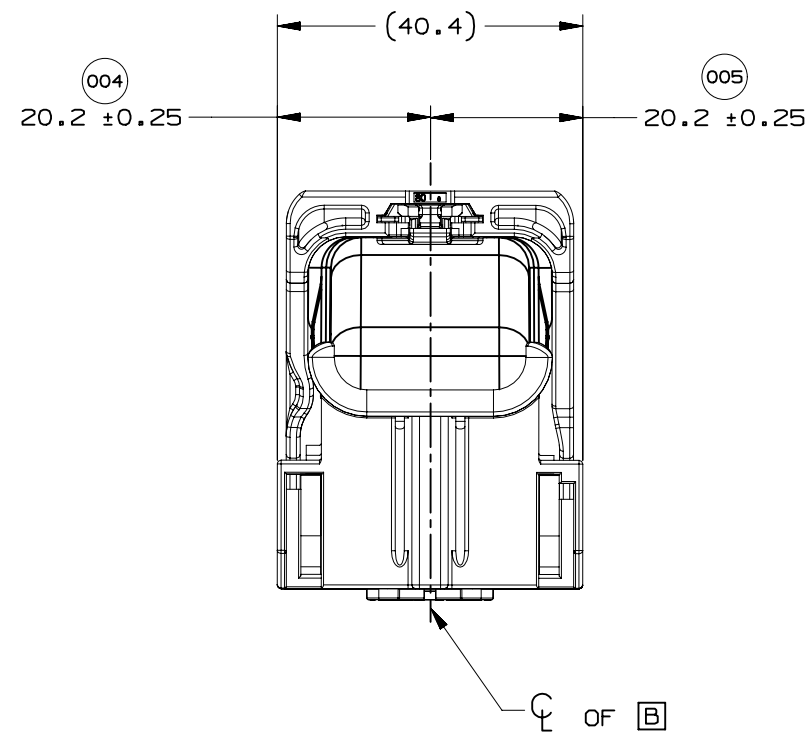
PAGE NUMBER

7 OF 22

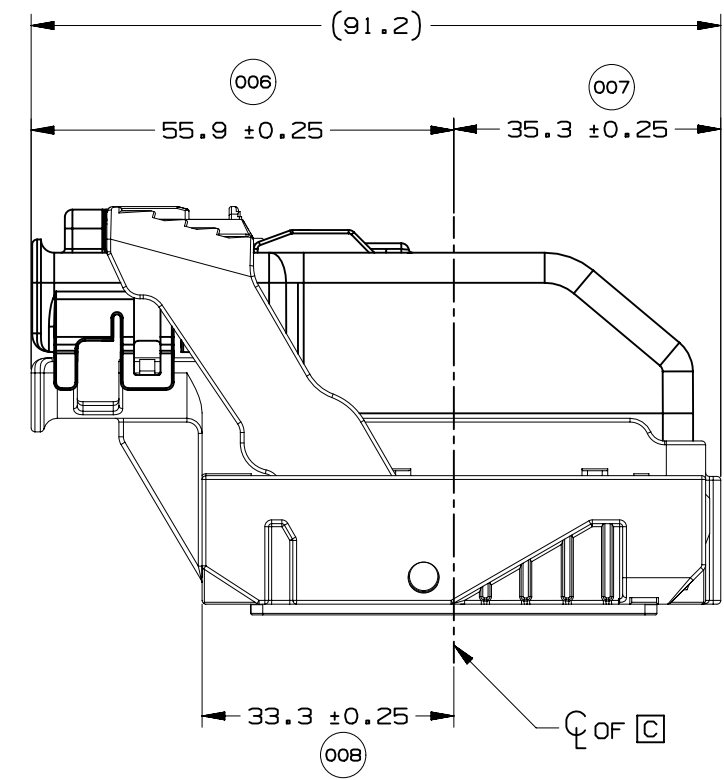




WIRE DRESS OPTION 0 SHOWN

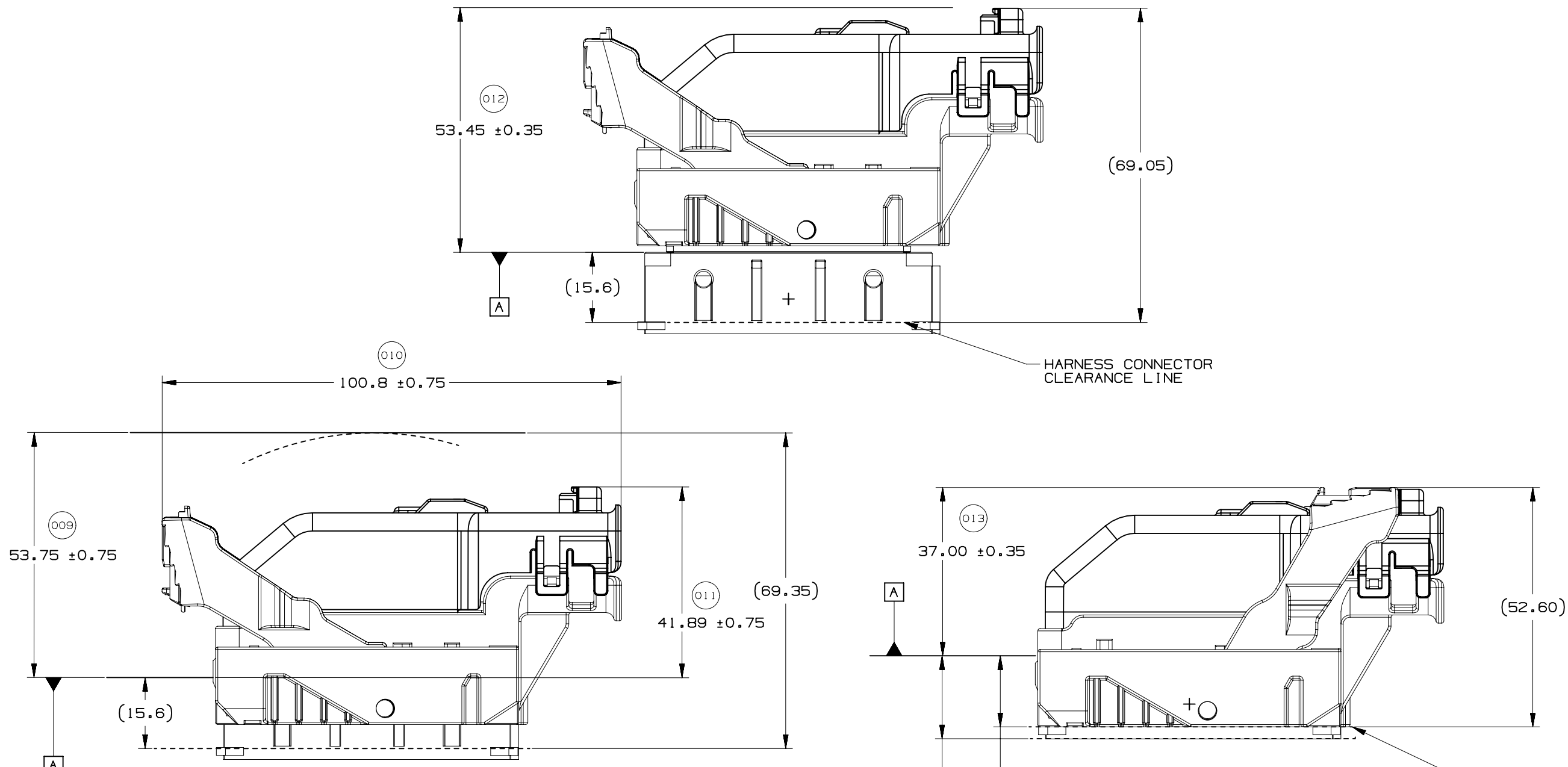


WIRE DRESS OPTION 0 SHOWN



WIRE DRESS OPTION 9 SHOWN





HARNESS CONNECTOR CLEARANCE LINE

HARNESS CONNECTOR ASSEMBLY IN FULLY-MATED POSITION

HARNESS CONNECTOR CLEARANCE LINE

15.6 MIN. ALL AROUND CLEARANCE REQUIRED FOR HARNESS CONNECTOR (014)

17.9 MIN. AT PAD LOCATION CLEARANCE REQUIRED FOR HARNESS CONNECTOR CONSTRUCTION BELOW THIS PLANE IS NOT CONTROLLED (015)

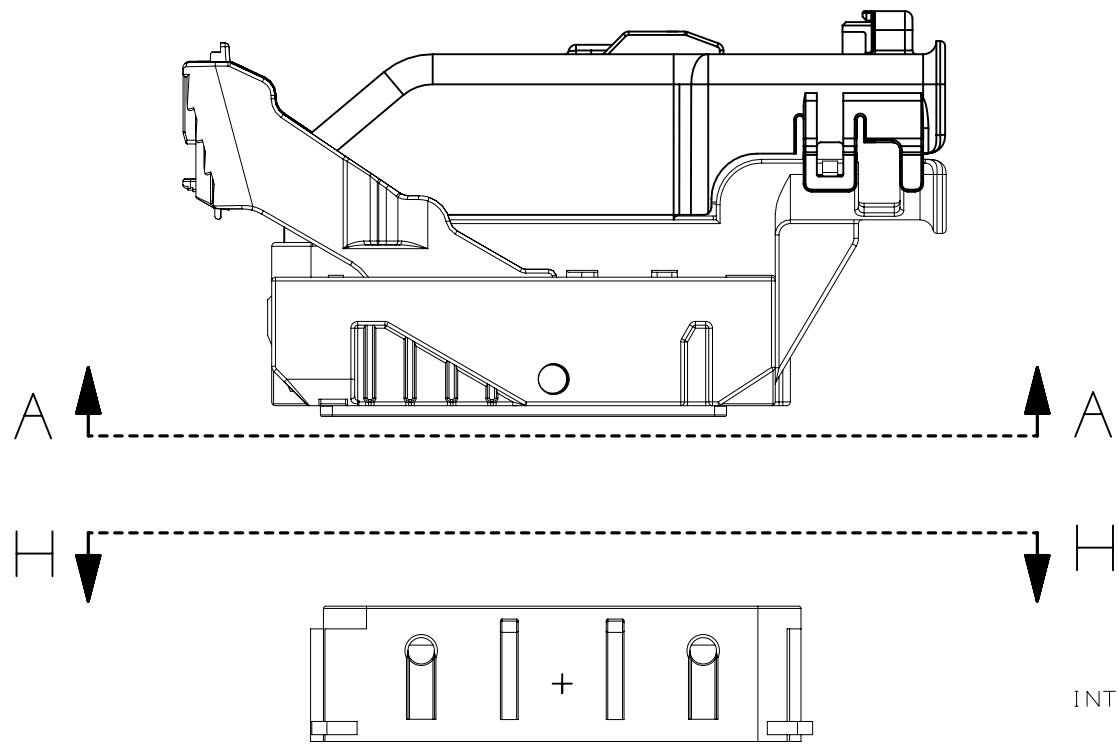


PAGE TITLE
 LOCATION AND PACKAGING DIMENSIONS
 REFERENCING INTERFACE DATUM A

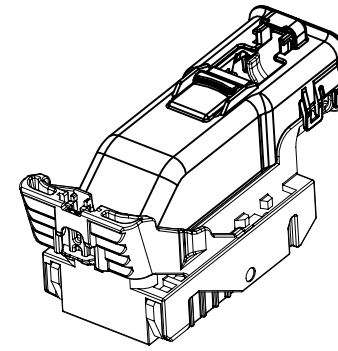
DRAWING NUMBER
 12672833

DWG STATUS		
ST	REV	PD1
R	001	

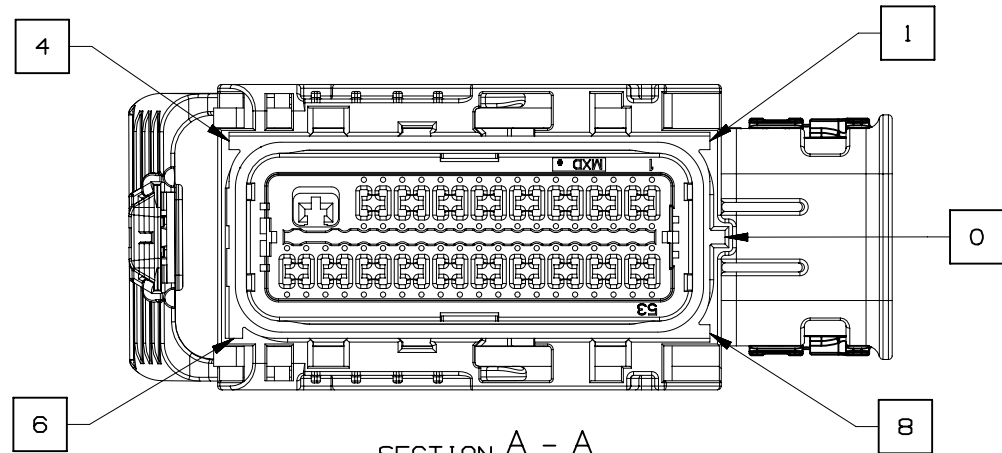
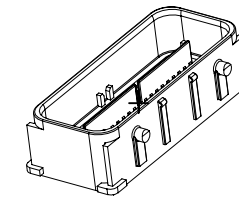
PAGE NUMBER
 10 OF 22



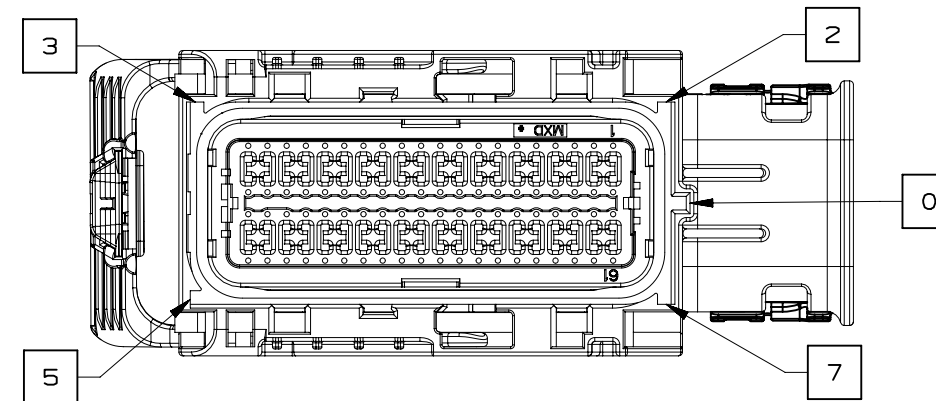
INTERFACE SIDE SHOWN ON ALL SECTION VIEWS



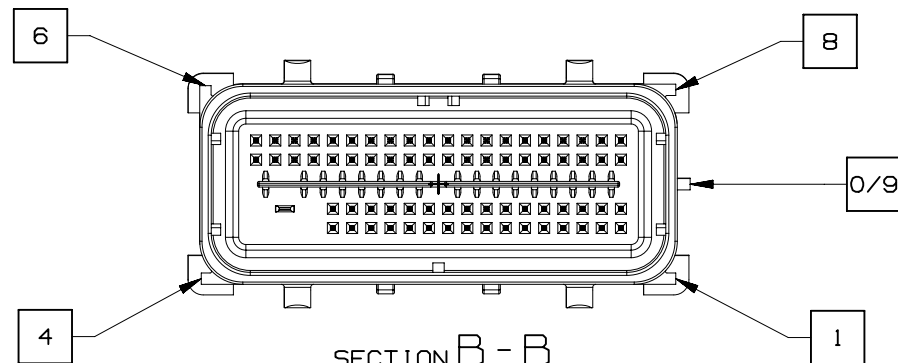
NOTE: REFERENCE THE COMPONENT TABLE FOR KEY OPTIONS AND CONFIGURATIONS



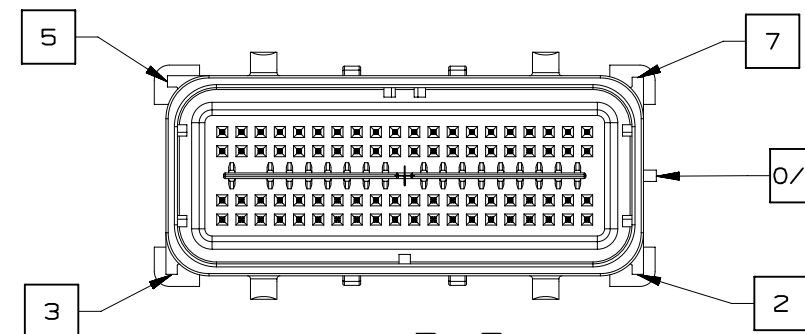
SECTION A - A
73 CKT HARNESS CONNECTOR ASSEMBLY
KEY OPTION B SHOWN



SECTION A - A
80 CKT HARNESS CONNECTOR ASSEMBLY
KEY OPTION K SHOWN



SECTION B - B
73 CKT HARNESS CONNECTOR ASSEMBLY
KEY OPTION B SHOWN



SECTION B - B
80 CKT HARNESS CONNECTOR ASSEMBLY
KEY OPTION K SHOWN

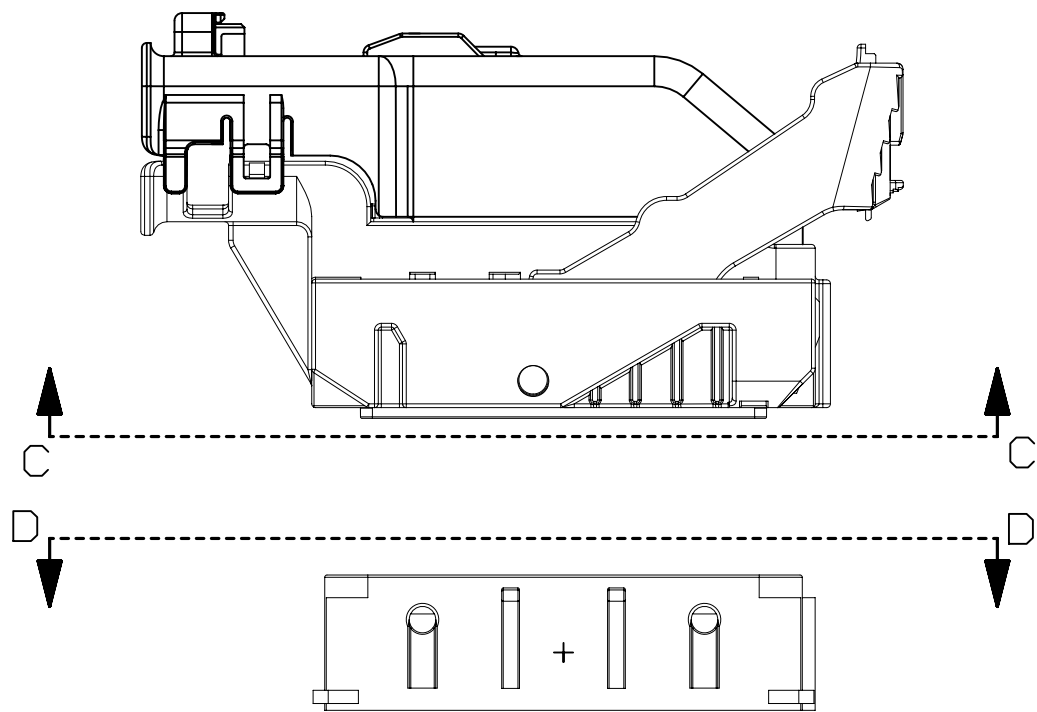


PAGE TITLE
KEY ID REF - WIRE DRESS OPTION 0

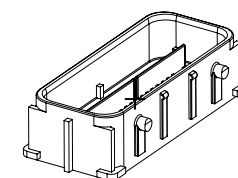
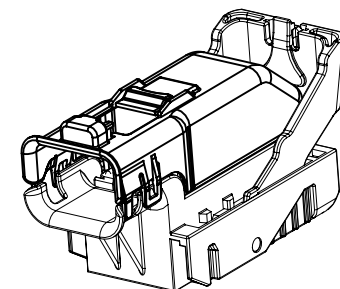
DRAWING NUMBER
12672833

DWG STATUS		
ST	REV	PD1
R	001	

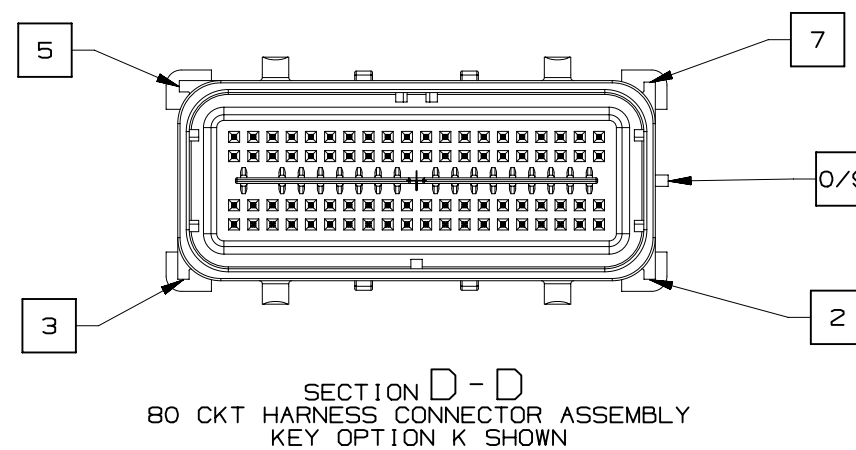
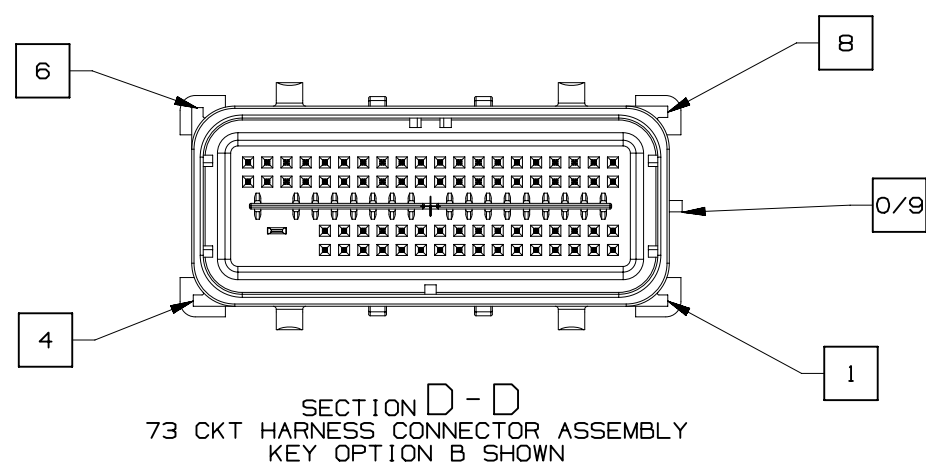
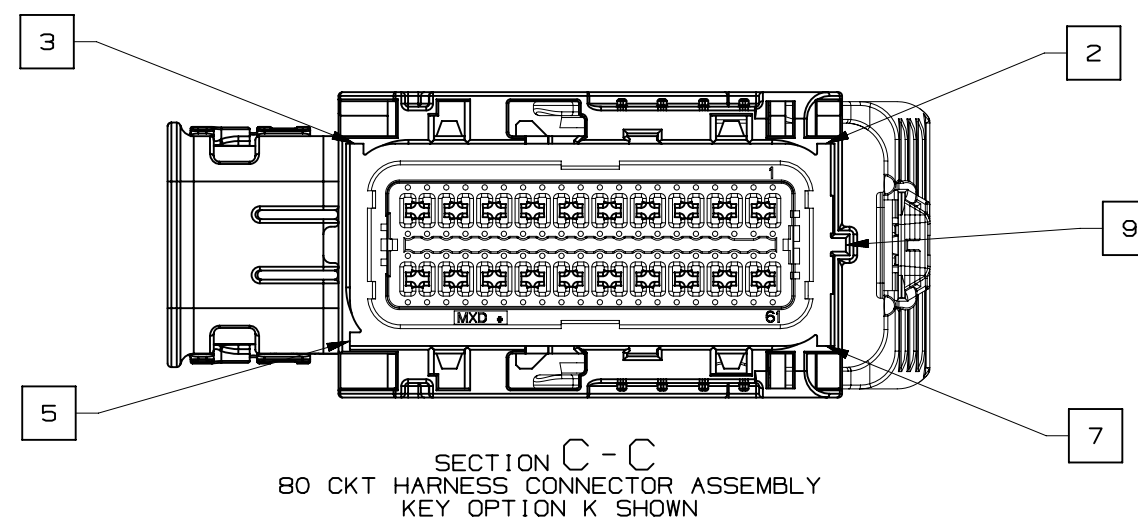
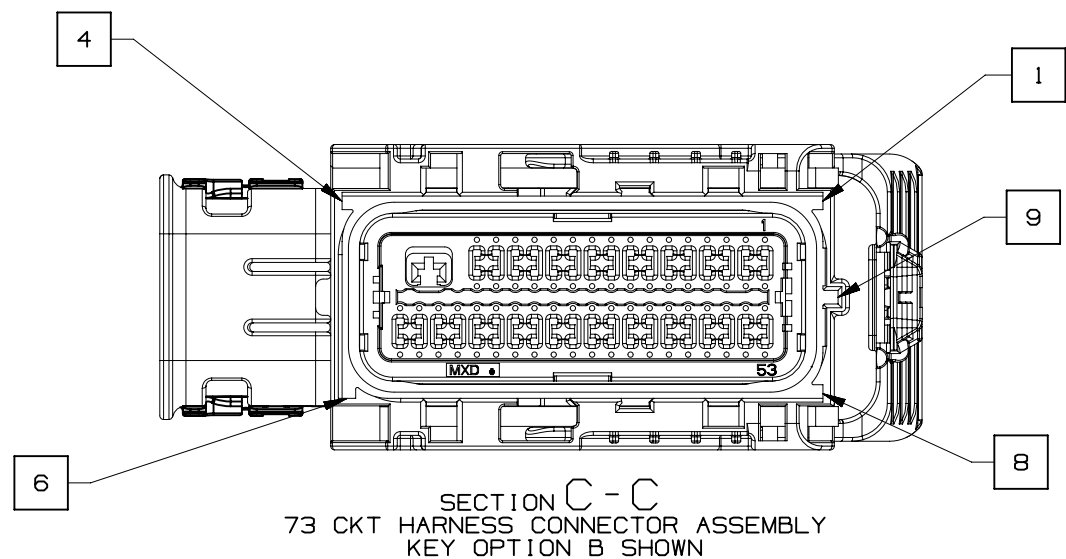
PAGE NUMBER
11 OF 22



INTERFACE SIDE SHOWN ON ALL SECTION VIEWS



NOTE: REFERENCE THE COMPONENT TABLE FOR KEY OPTIONS AND CONFIGURATIONS

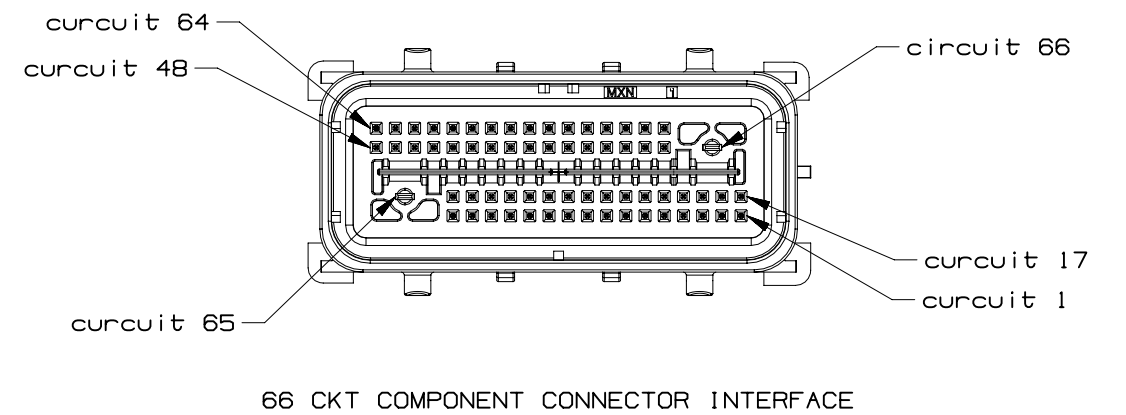
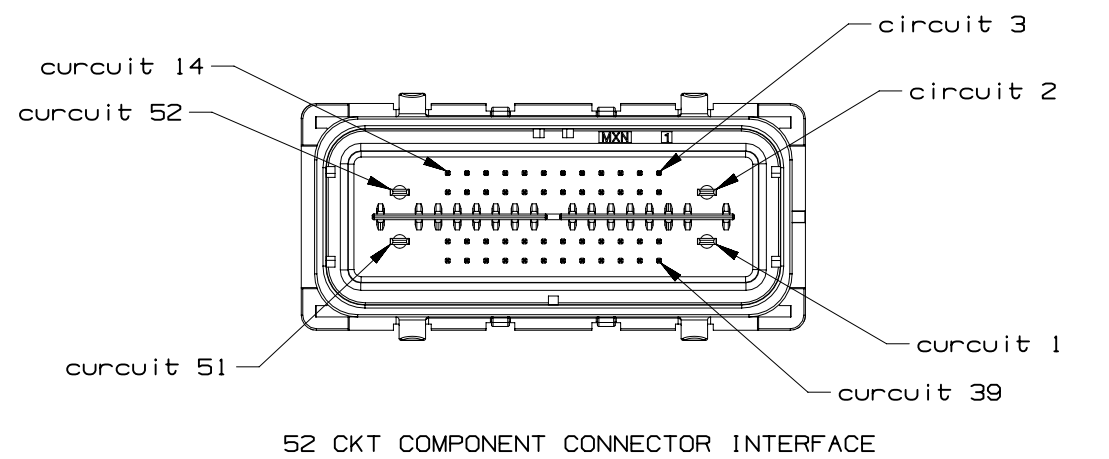
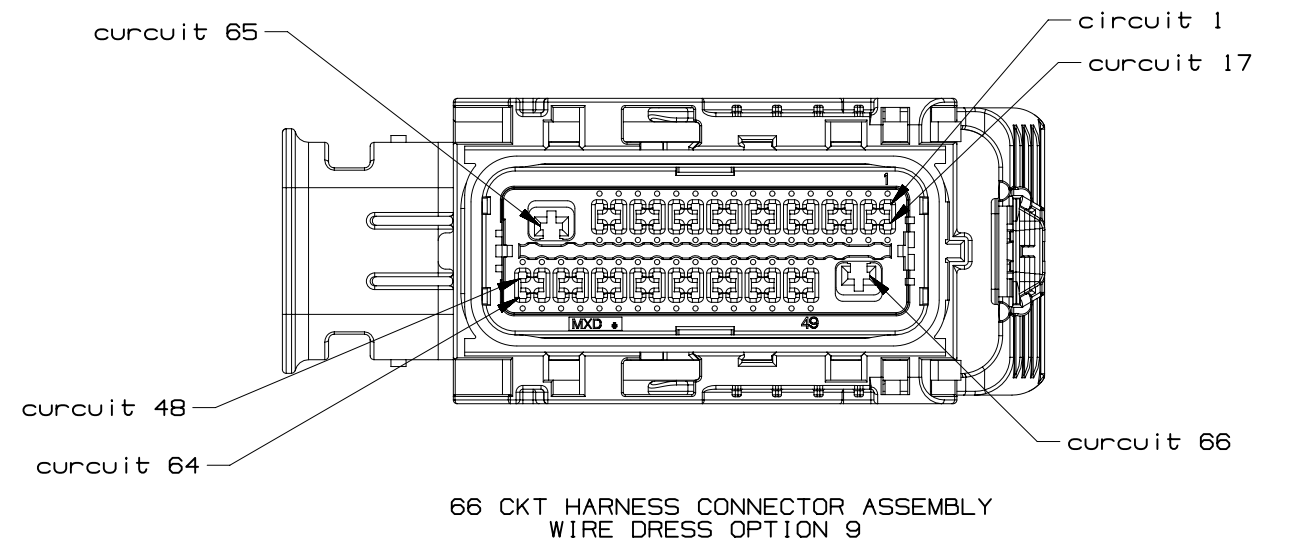
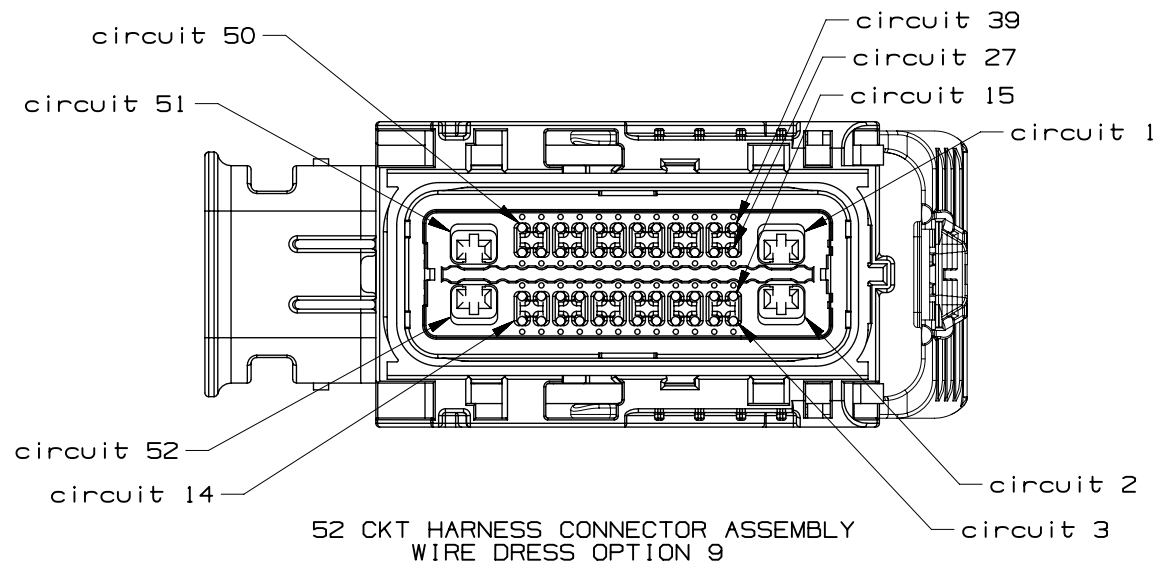
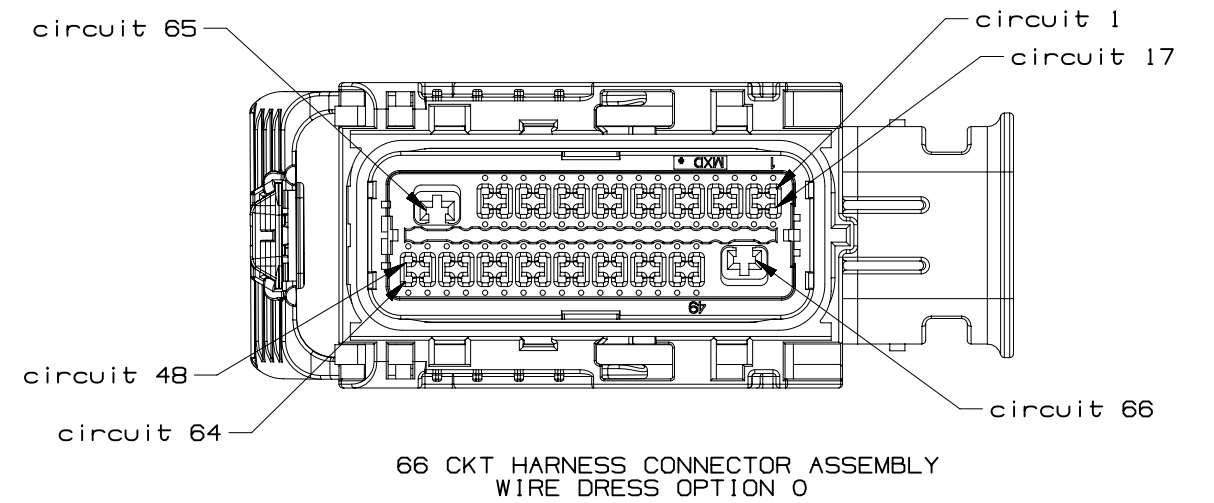
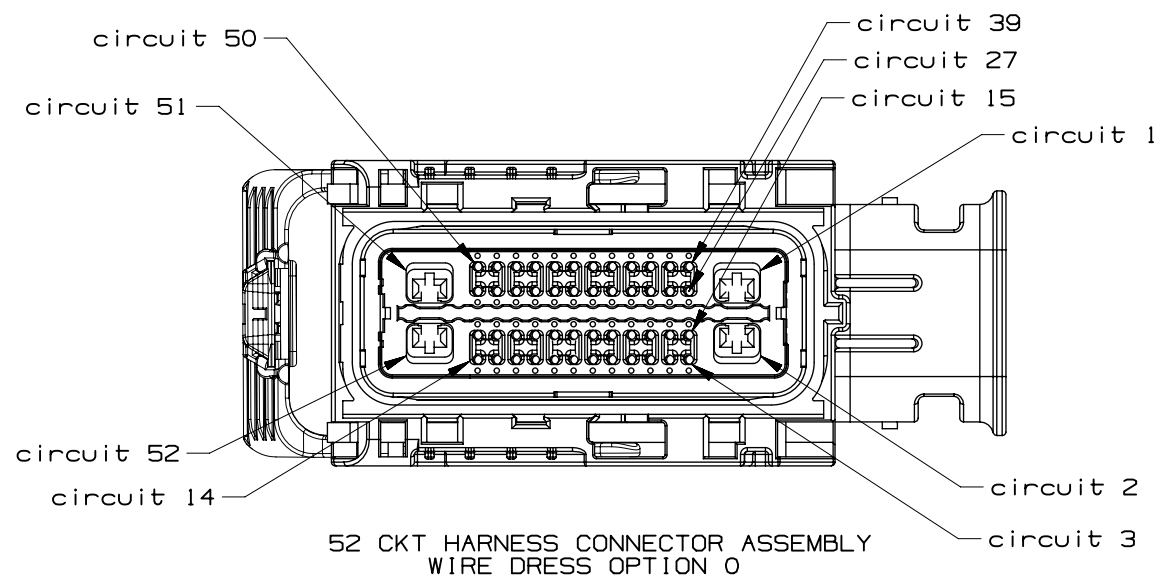


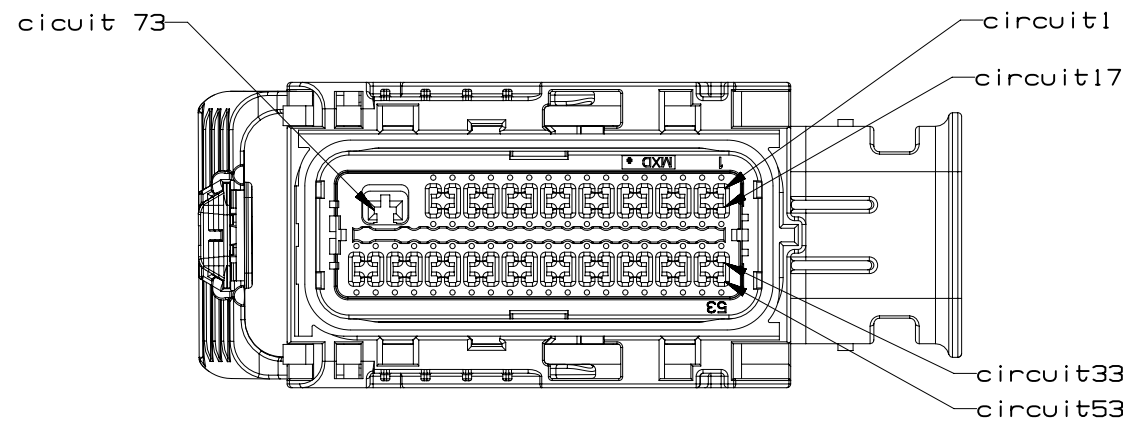
PAGE TITLE
KEY ID REF - WIRE DRESS OPTION 9

DRAWING NUMBER
12672833

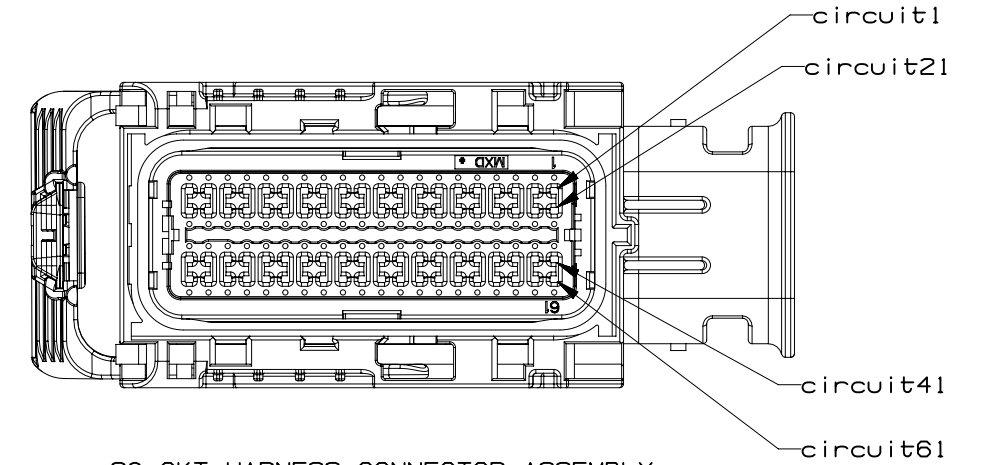
DWG STATUS		
ST	REV	PD1
R	001	

PAGE NUMBER
12 OF 22



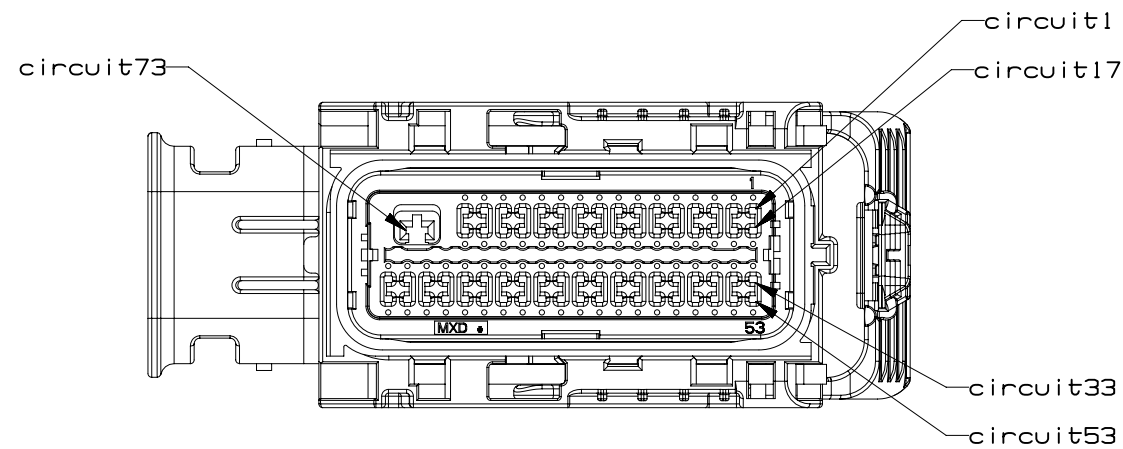


73 CKT HARNESS CONNECTOR ASSEMBLY
WIRE DRESS OPTION 0

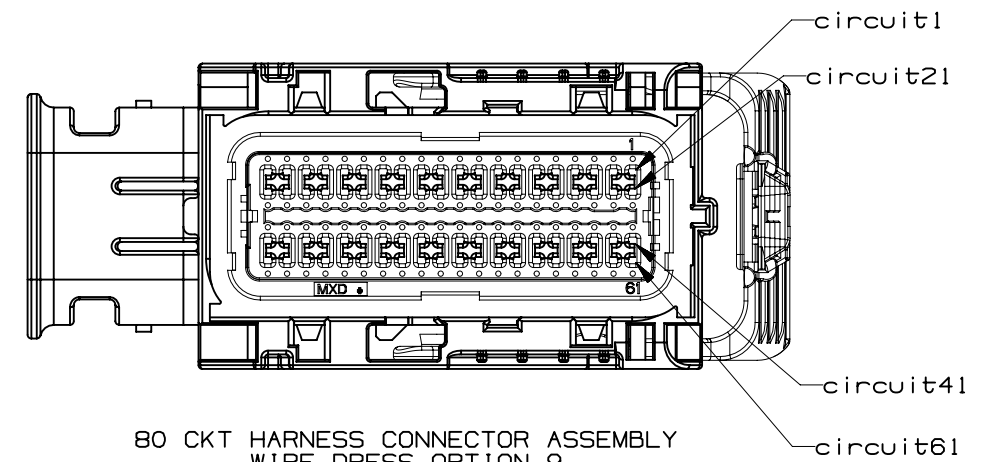


80 CKT HARNESS CONNECTOR ASSEMBLY
WIRE DRESS OPTION 0

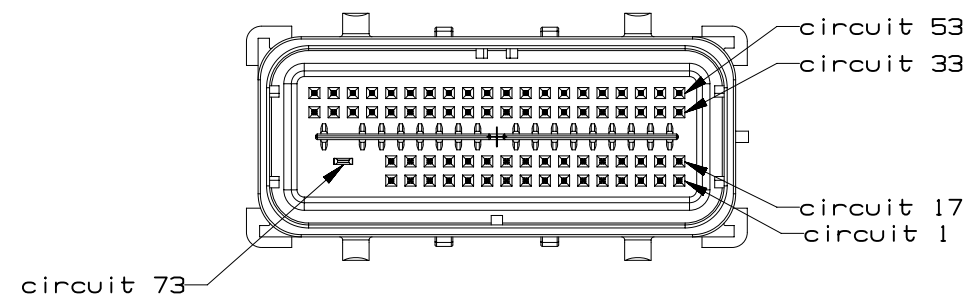
INTERFACE SIDE SHOWN ON ALL VIEWS



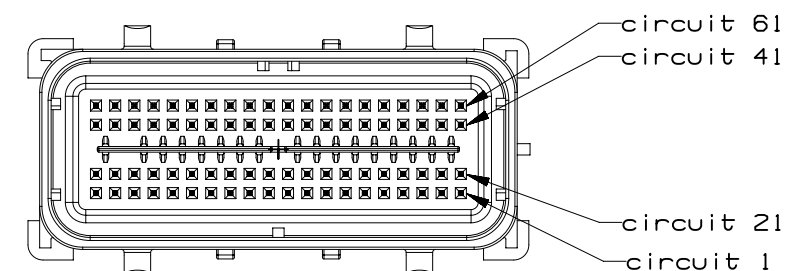
73 CKT HARNESS CONNECTOR ASSEMBLY
WIRE DRESS OPTION 9



80 CKT HARNESS CONNECTOR ASSEMBLY
WIRE DRESS OPTION 9

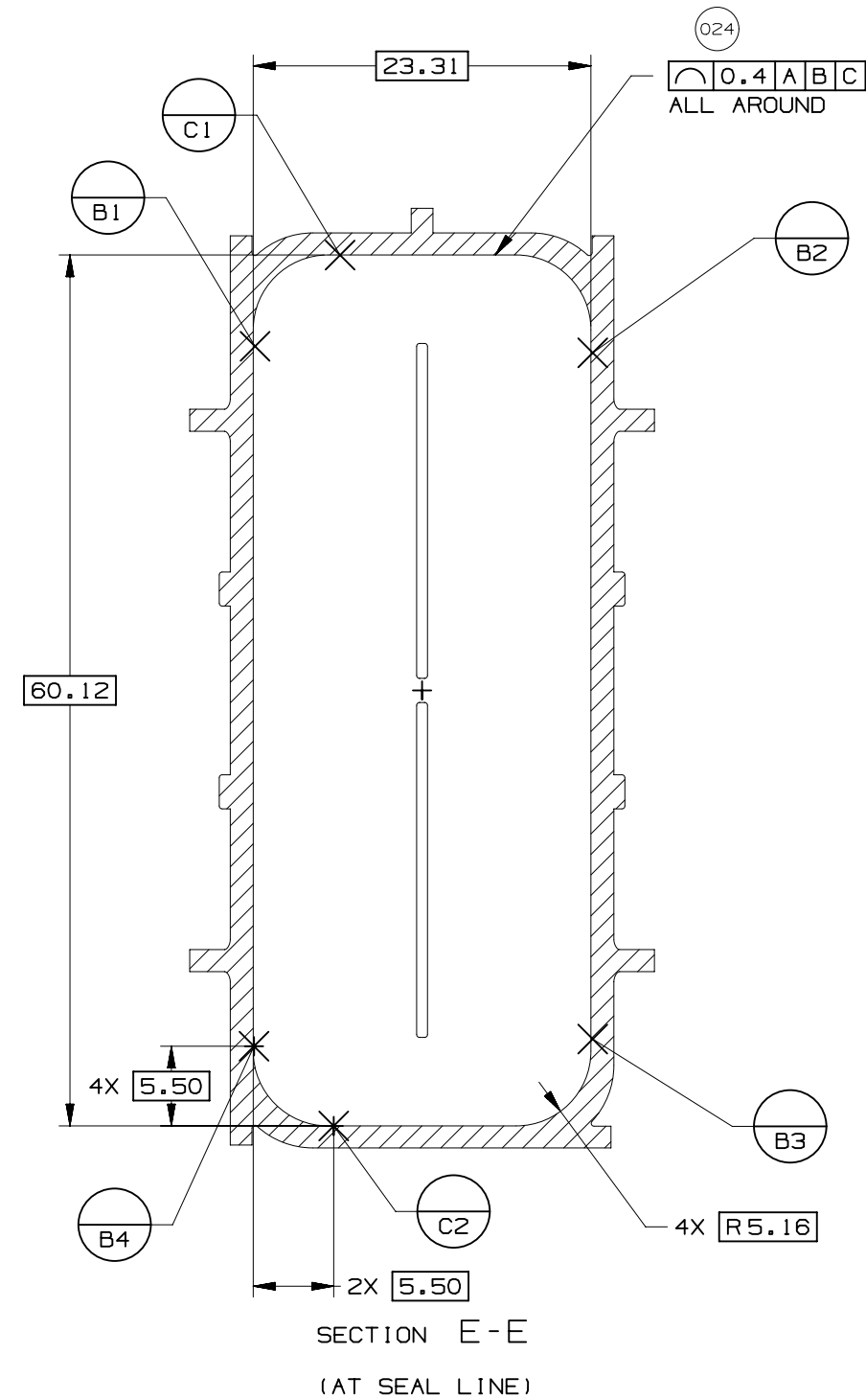
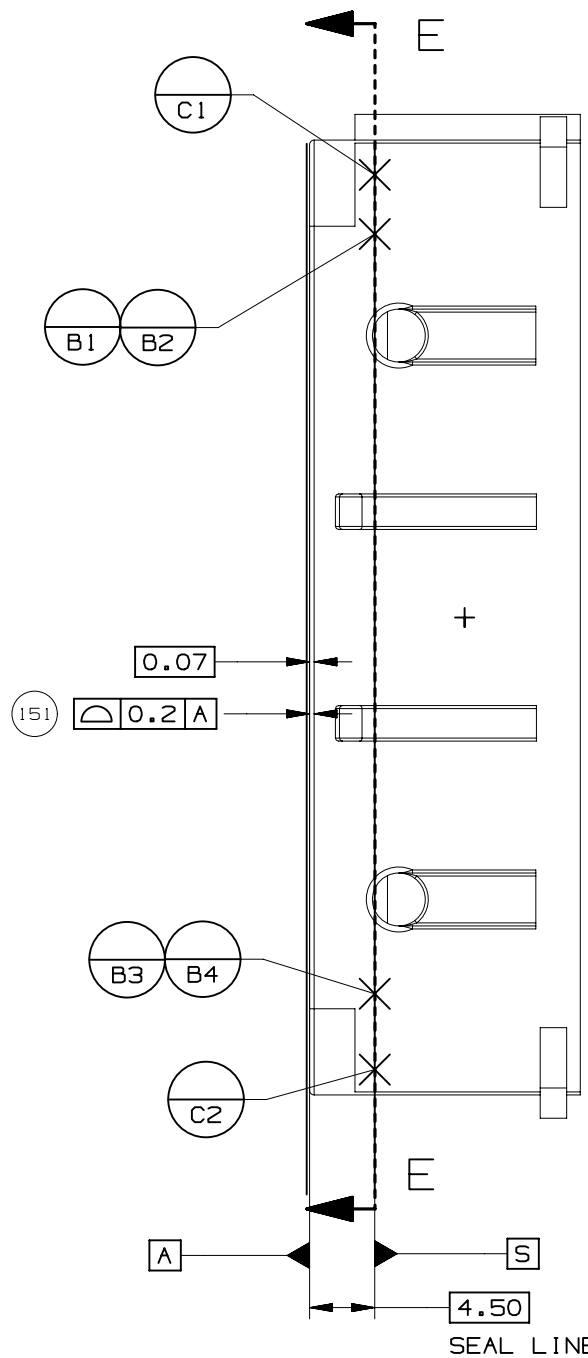
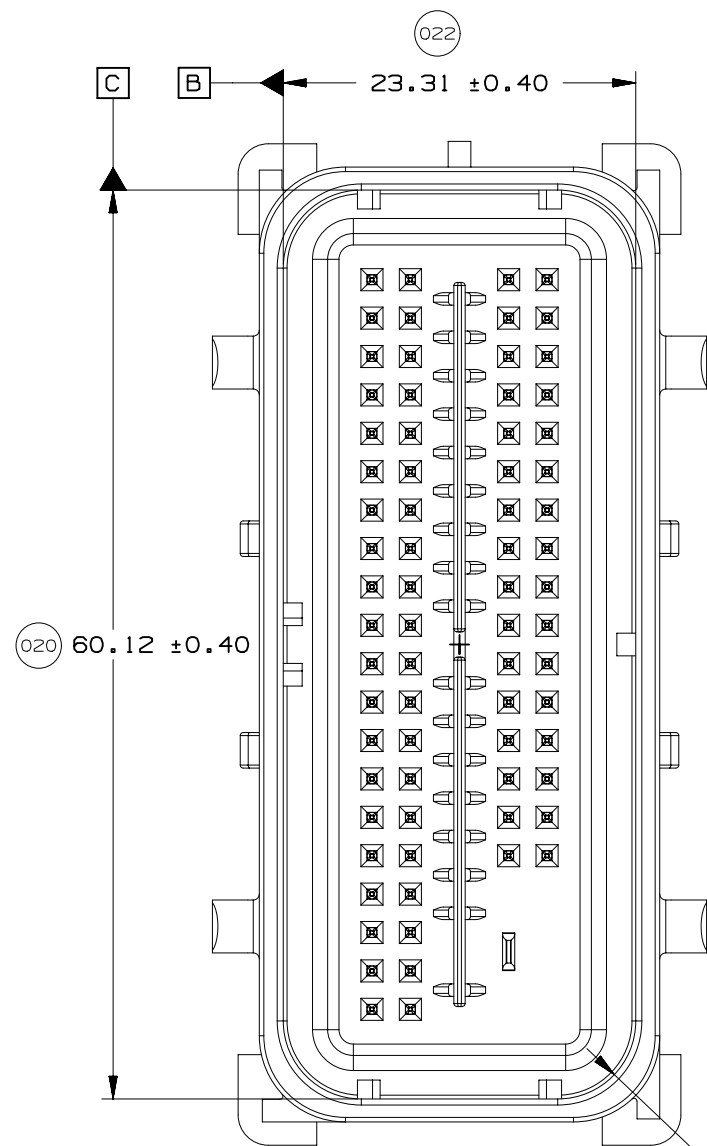
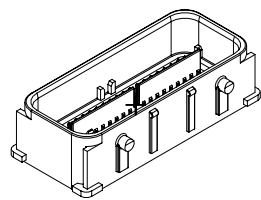


73 CKT COMPONENT CONNECTOR INTERFACE



80 CKT COMPONENT CONNECTOR INTERFACE





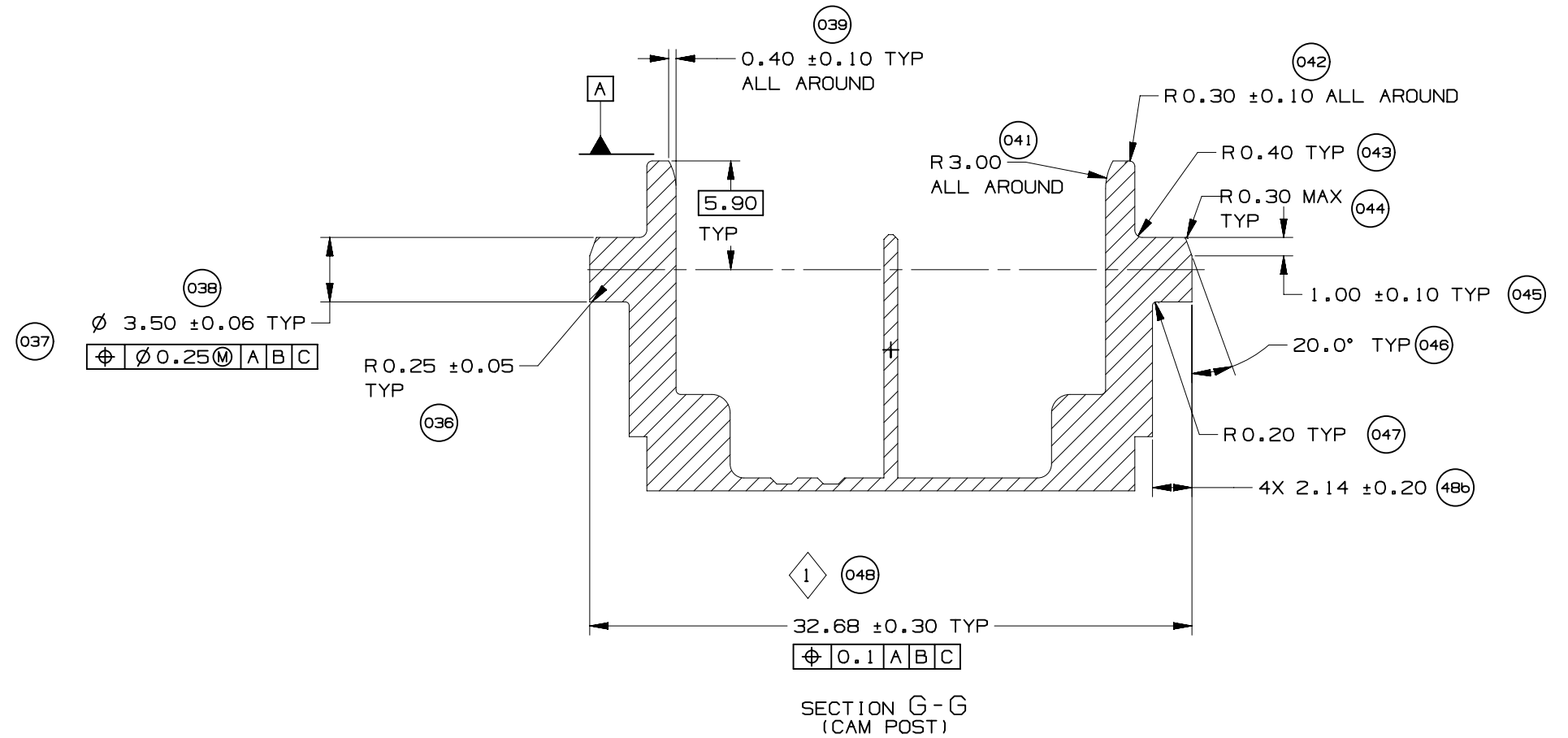
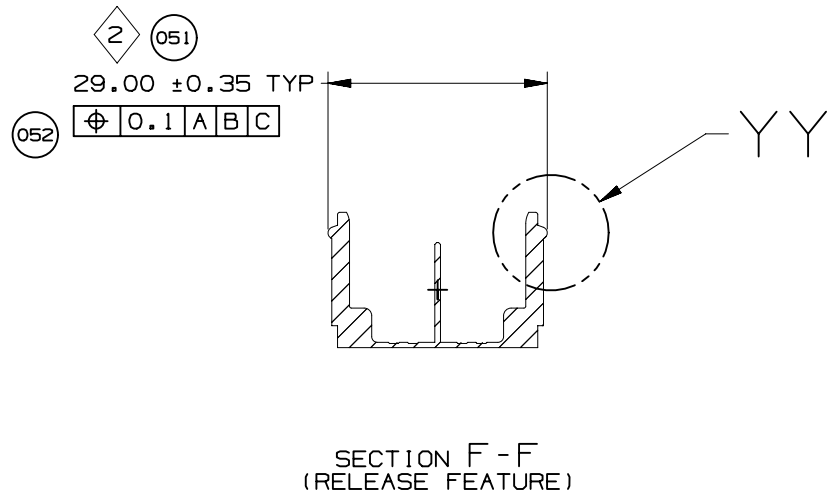
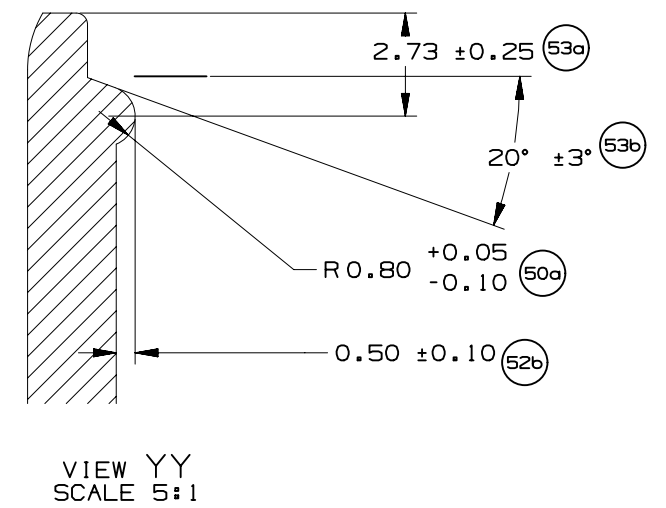
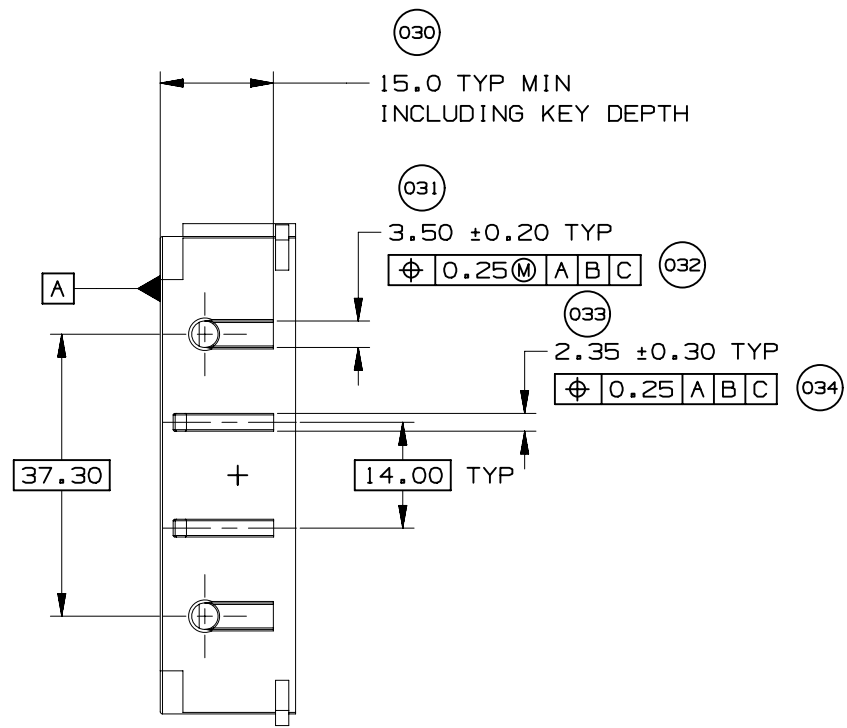
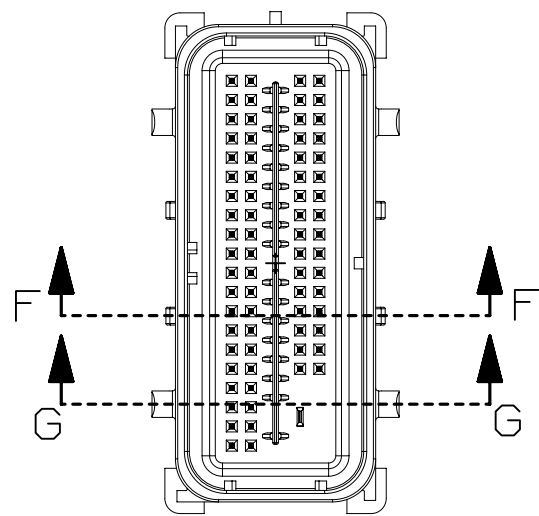
UNLESS SPECIFIED, TOLERANCE OF THE COMPONENT CONNECTOR INTERFACE TO BE 0.13 A B C



PAGE TITLE
COMPONENT CONNECTOR INTERFACE

DRAWING NUMBER
12672833

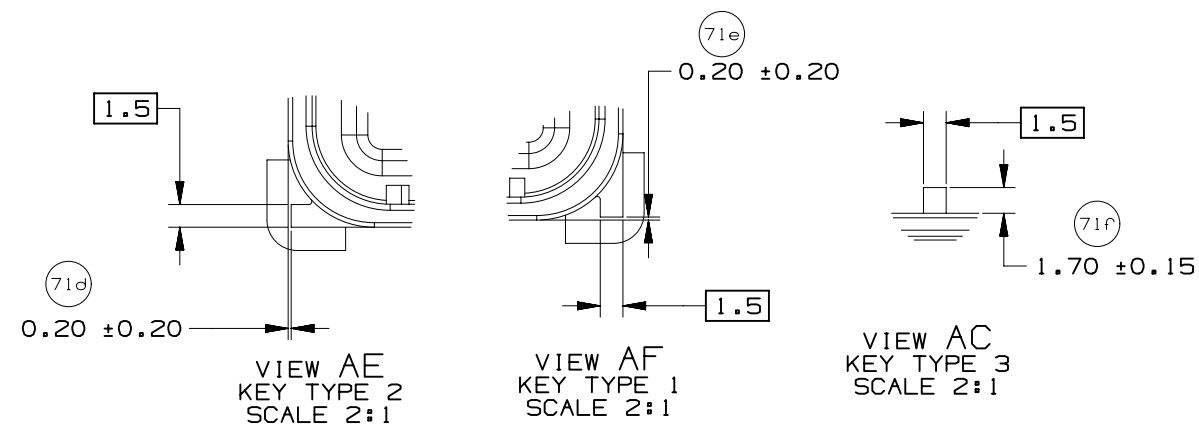
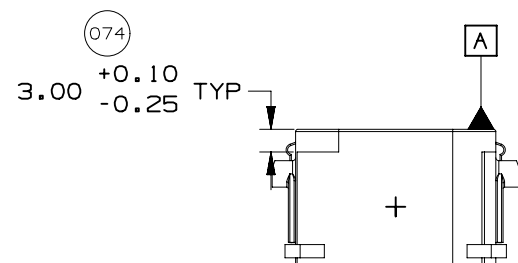
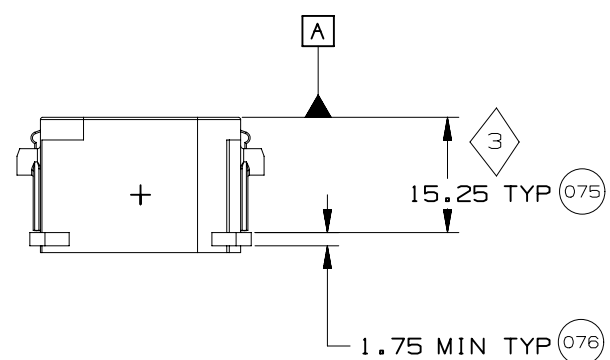
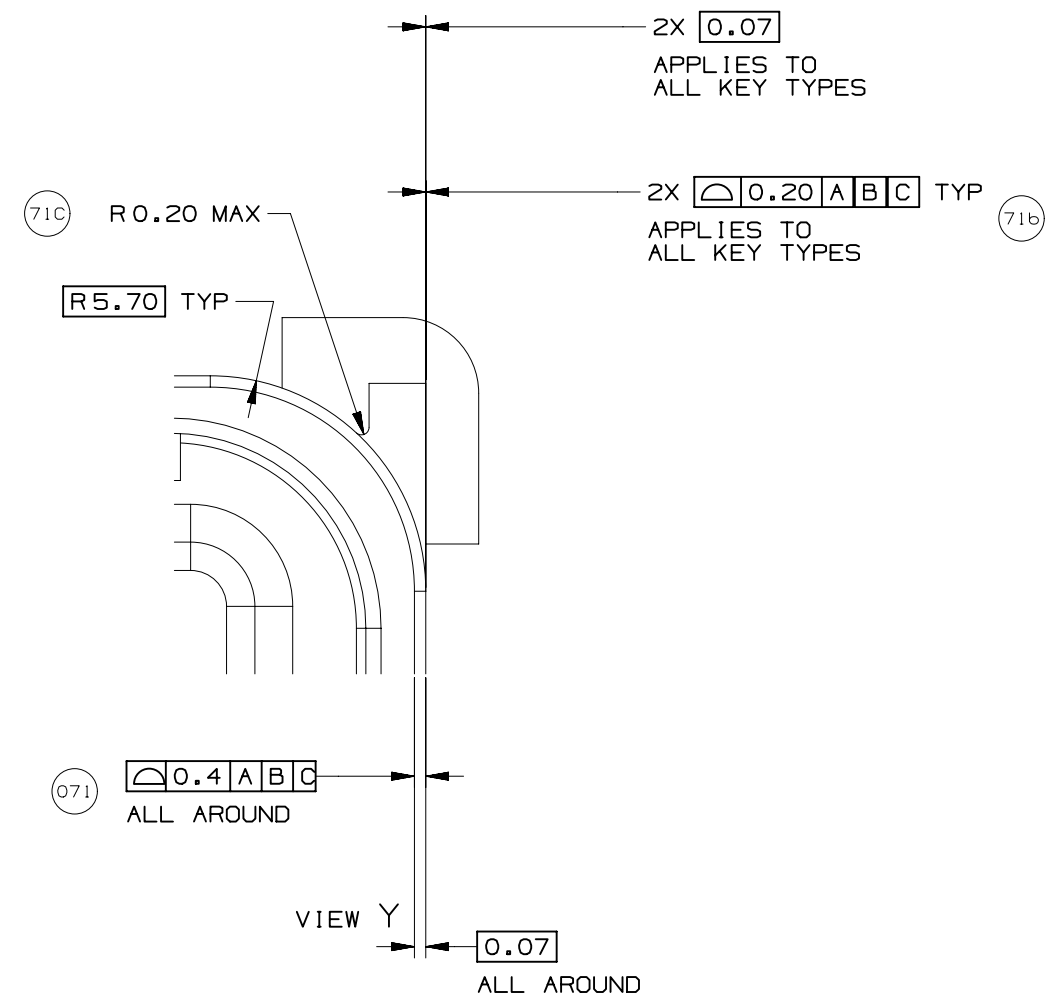
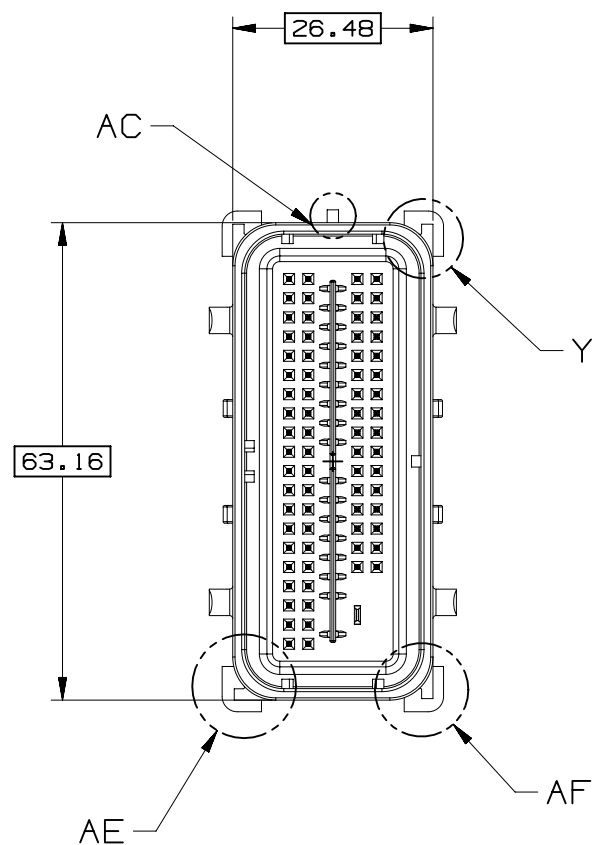
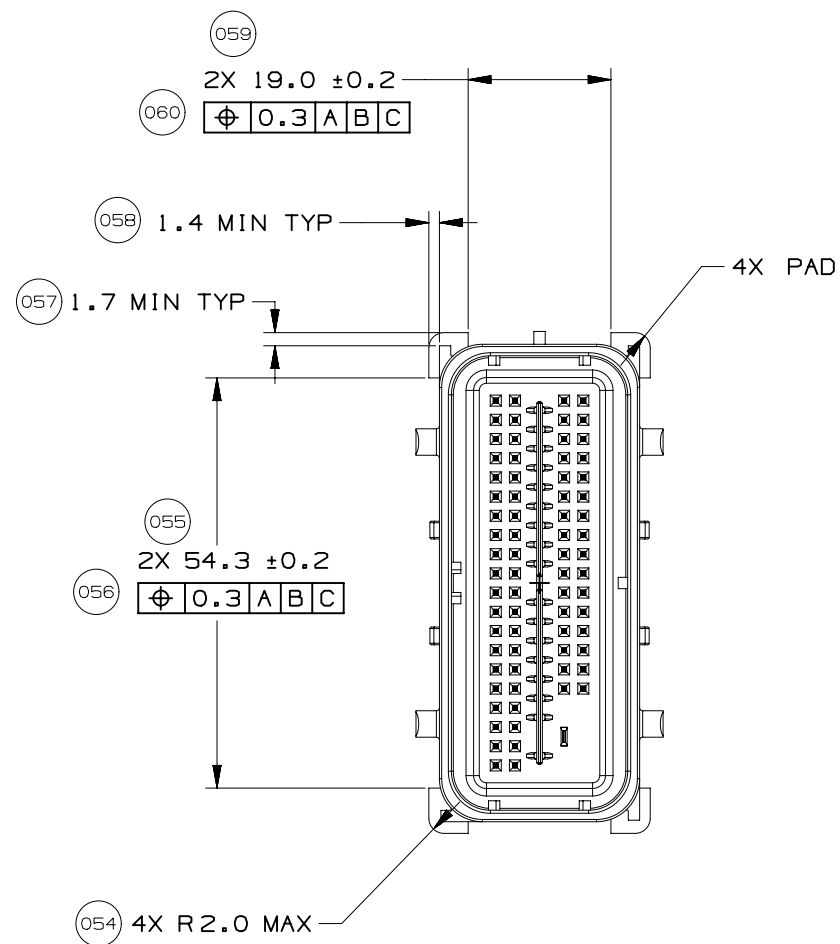
DWG STATUS			PAGE NUMBER
ST	REV	PD1	
R	001		15 OF 22



PAGE TITLE
COMPONENT CONNECTOR INTERFACE

DRAWING NUMBER
12672833

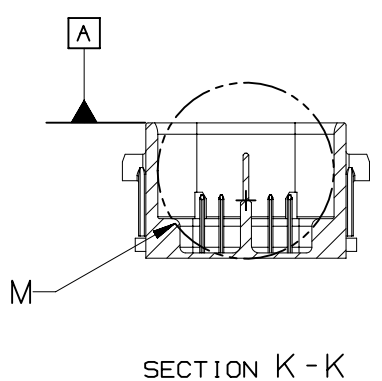
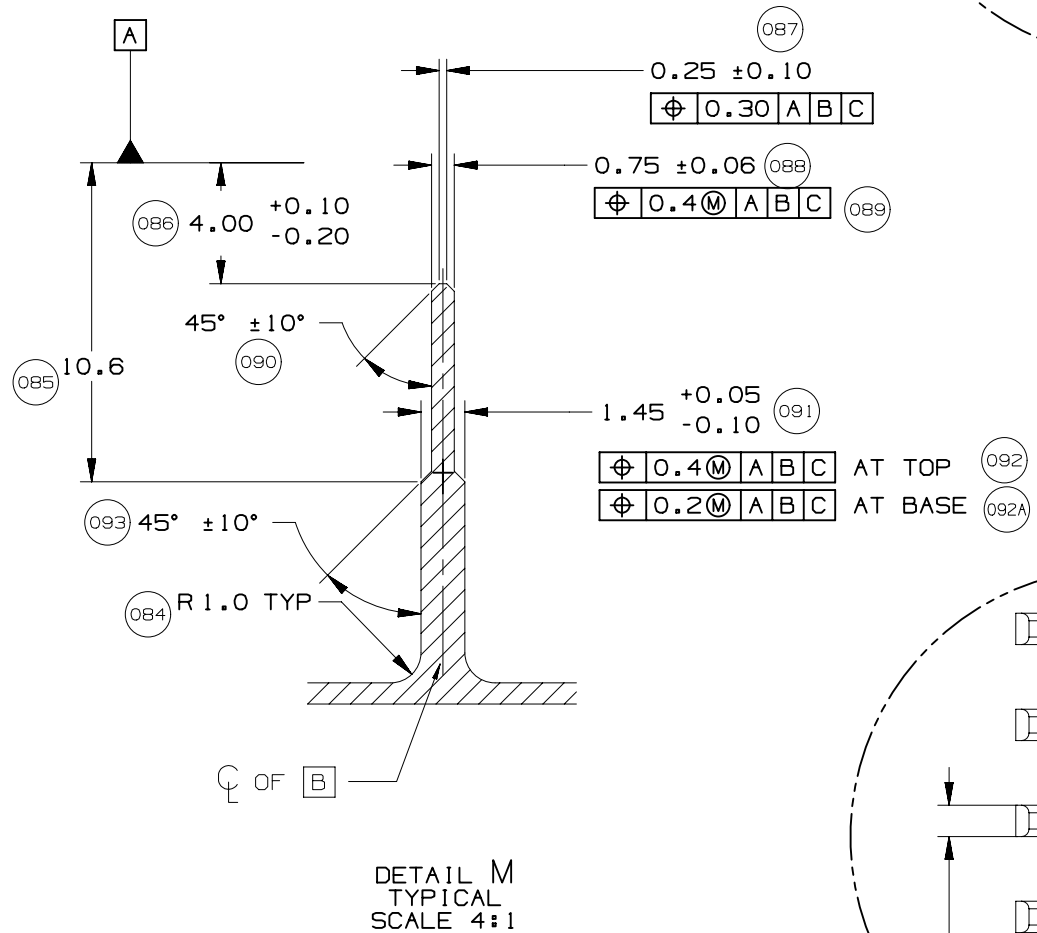
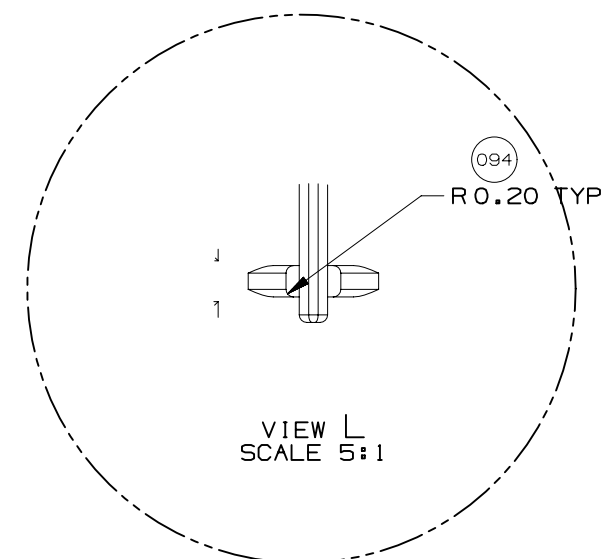
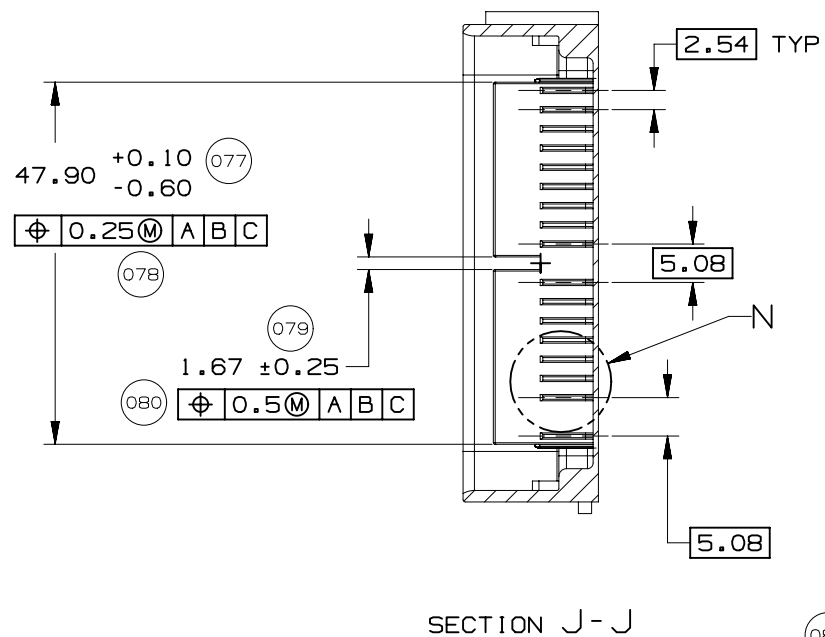
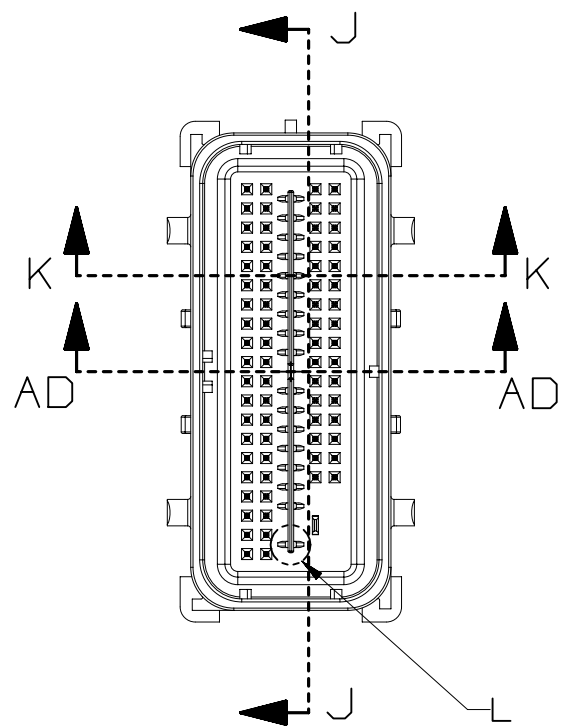
DWG STATUS			PAGE NUMBER
ST	REV	PDI	
R	001		16 OF 22



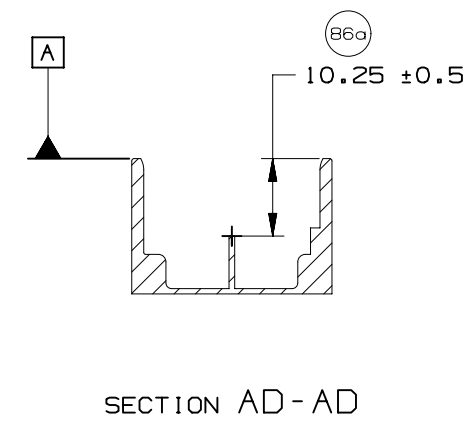
PAGE TITLE
 COMPONENT CONNECTOR INTERFACE

DRAWING NUMBER
 12672833

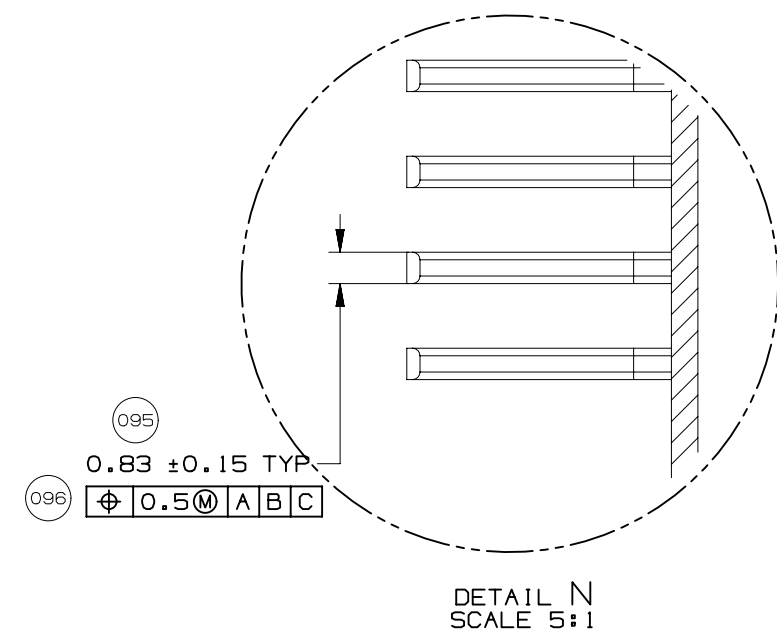
DWG STATUS			PAGE NUMBER	
ST	REV	PD1	17	OF 22
R	001			



SECTION K-K



SECTION AD-AD



DETAIL N
SCALE 5:1

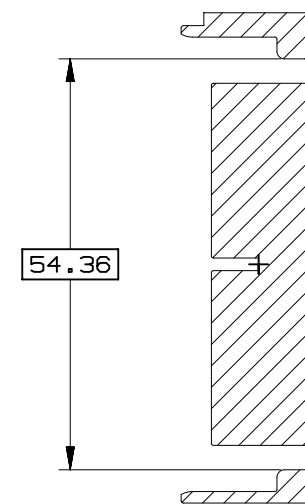
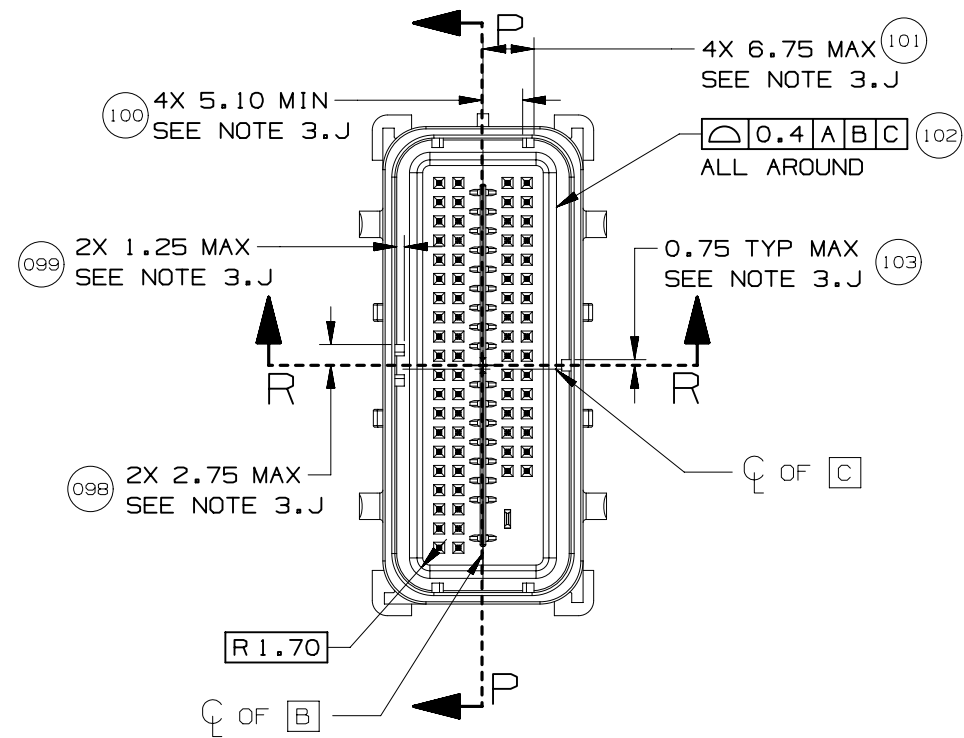


PAGE TITLE
COMPONENT CONNECTOR INTERFACE

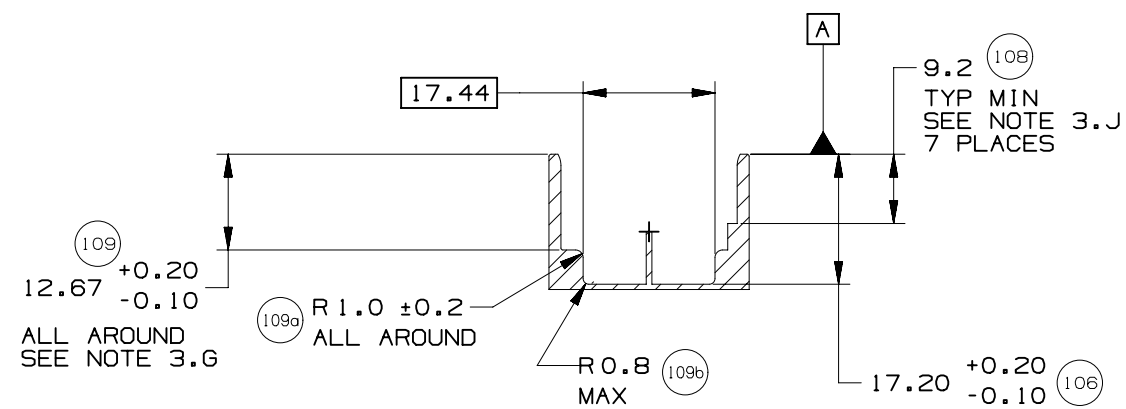
DRAWING NUMBER
12672833

DWG STATUS		
ST	REV	PD1
R	001	

PAGE NUMBER
18 OF 22



SECTION P-P



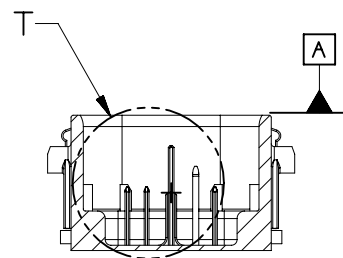
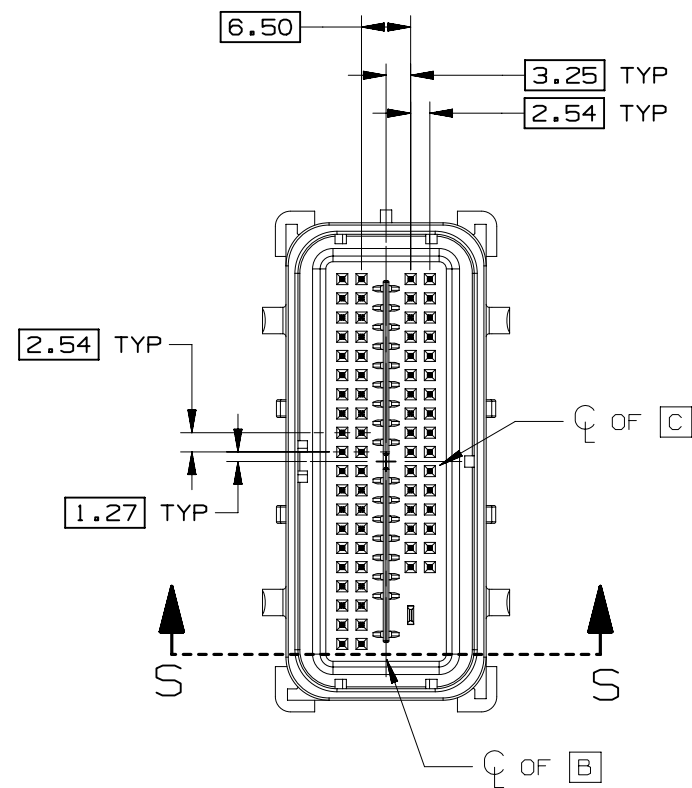
SECTION R-R



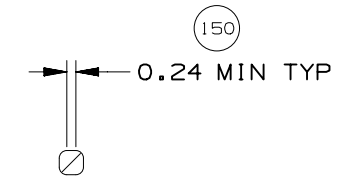
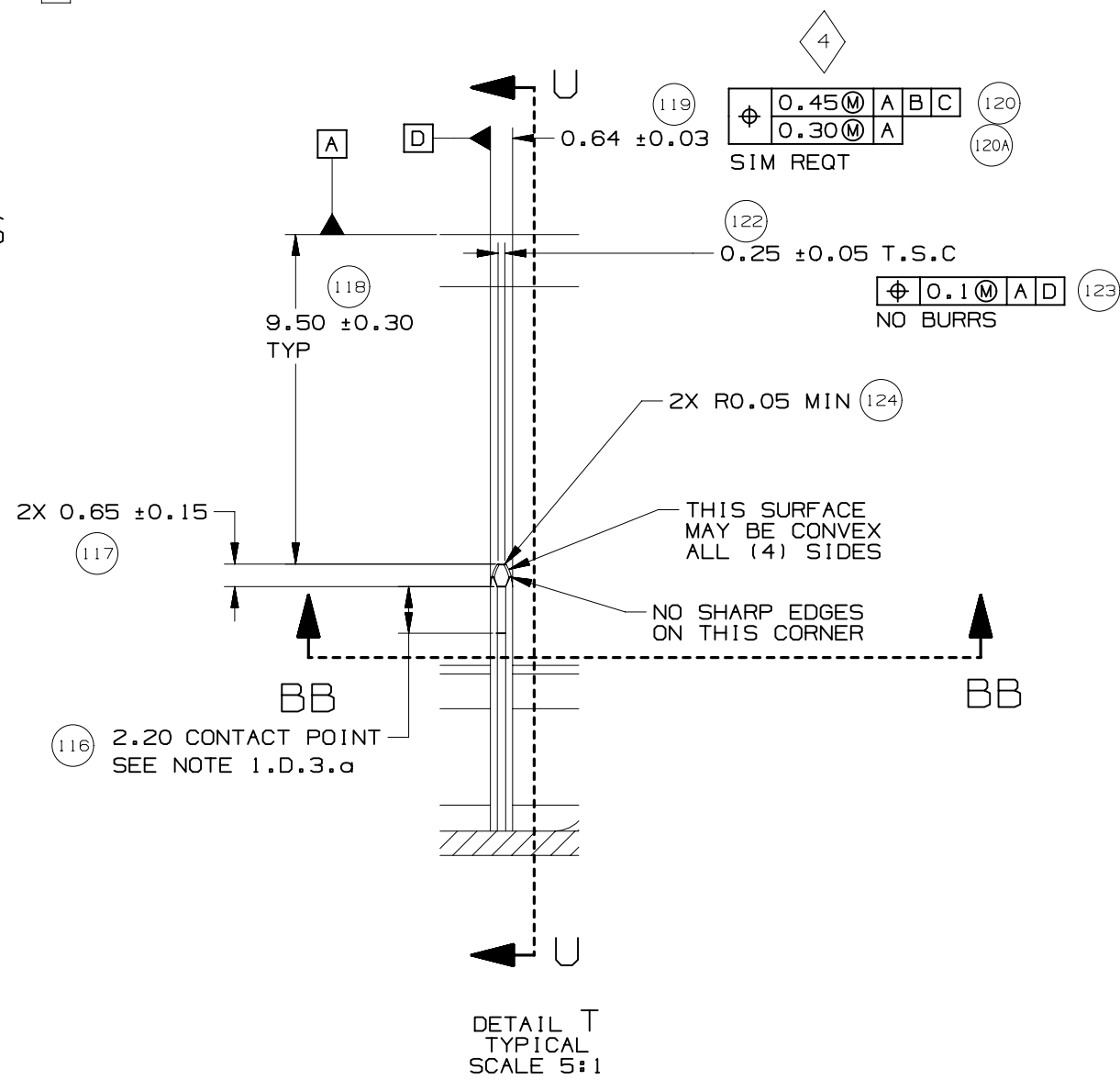
PAGE TITLE
COMPONENT CONNECTOR INTERFACE

DRAWING NUMBER
12672833

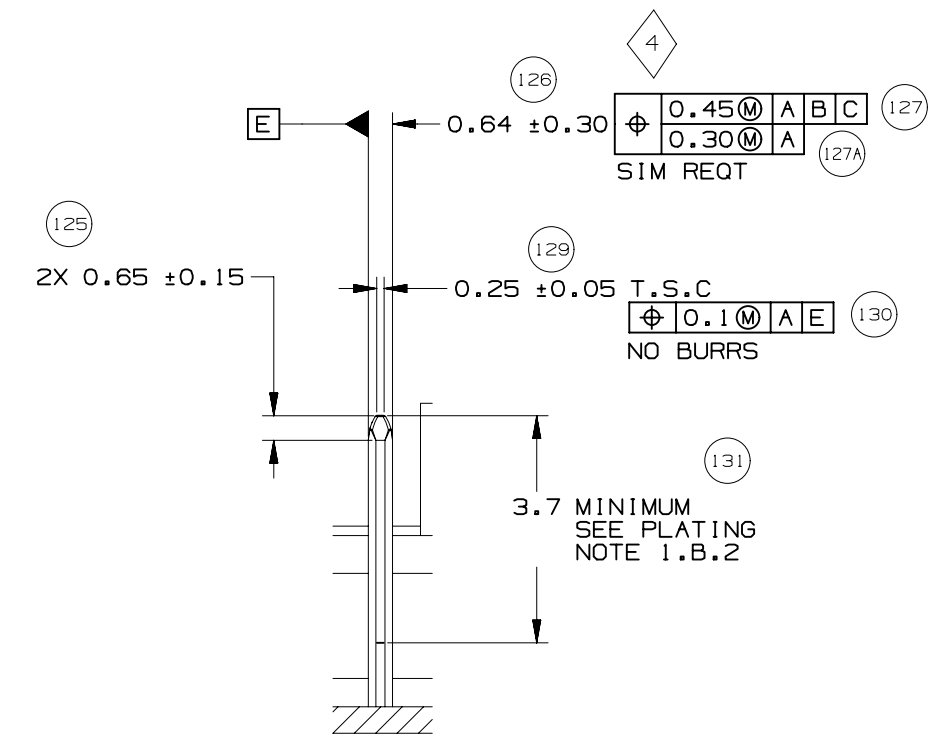
DWG STATUS			PAGE NUMBER	
ST	REV	PD1	19	OF 22
R	001			



SECTION S-S

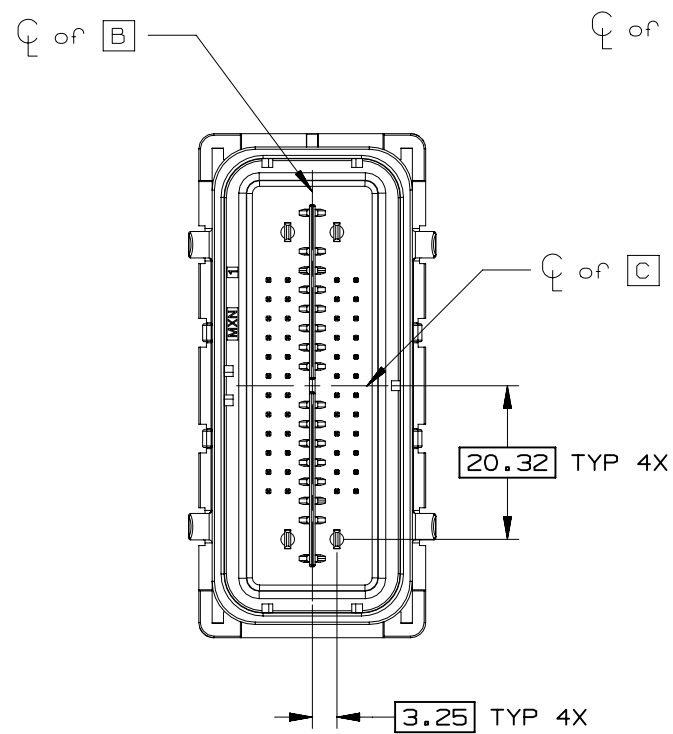


SECTION BB-BB

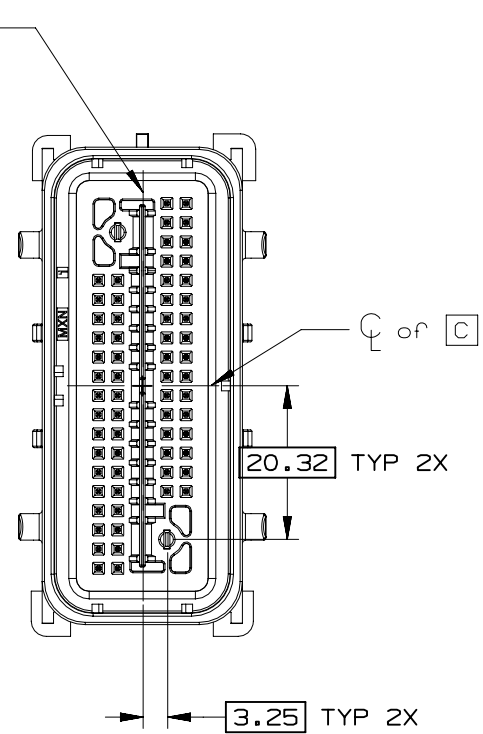


SECTION U-U TYPICAL

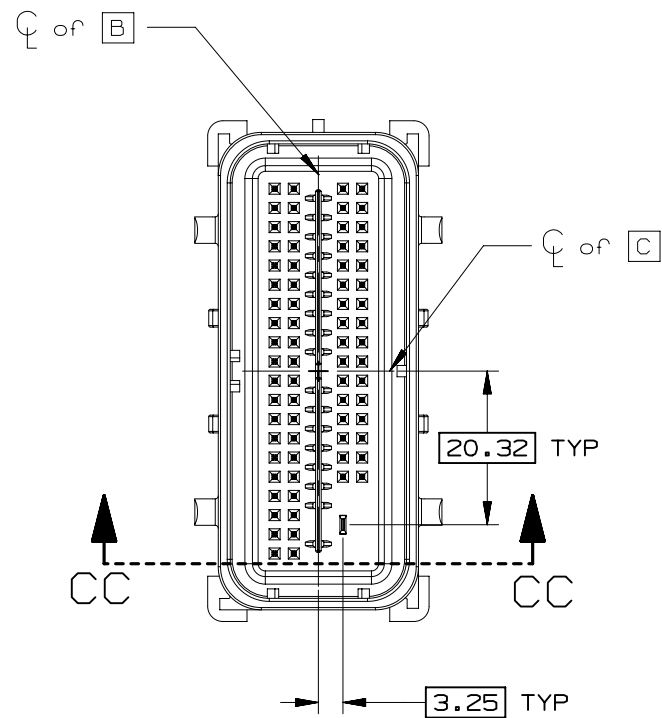




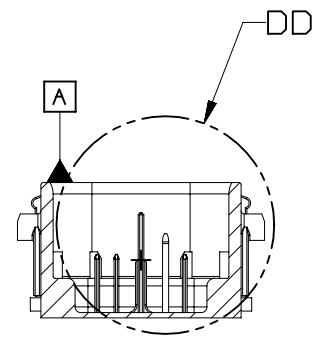
52 CKT COMPONENT
CONNECTOR INTERFACE



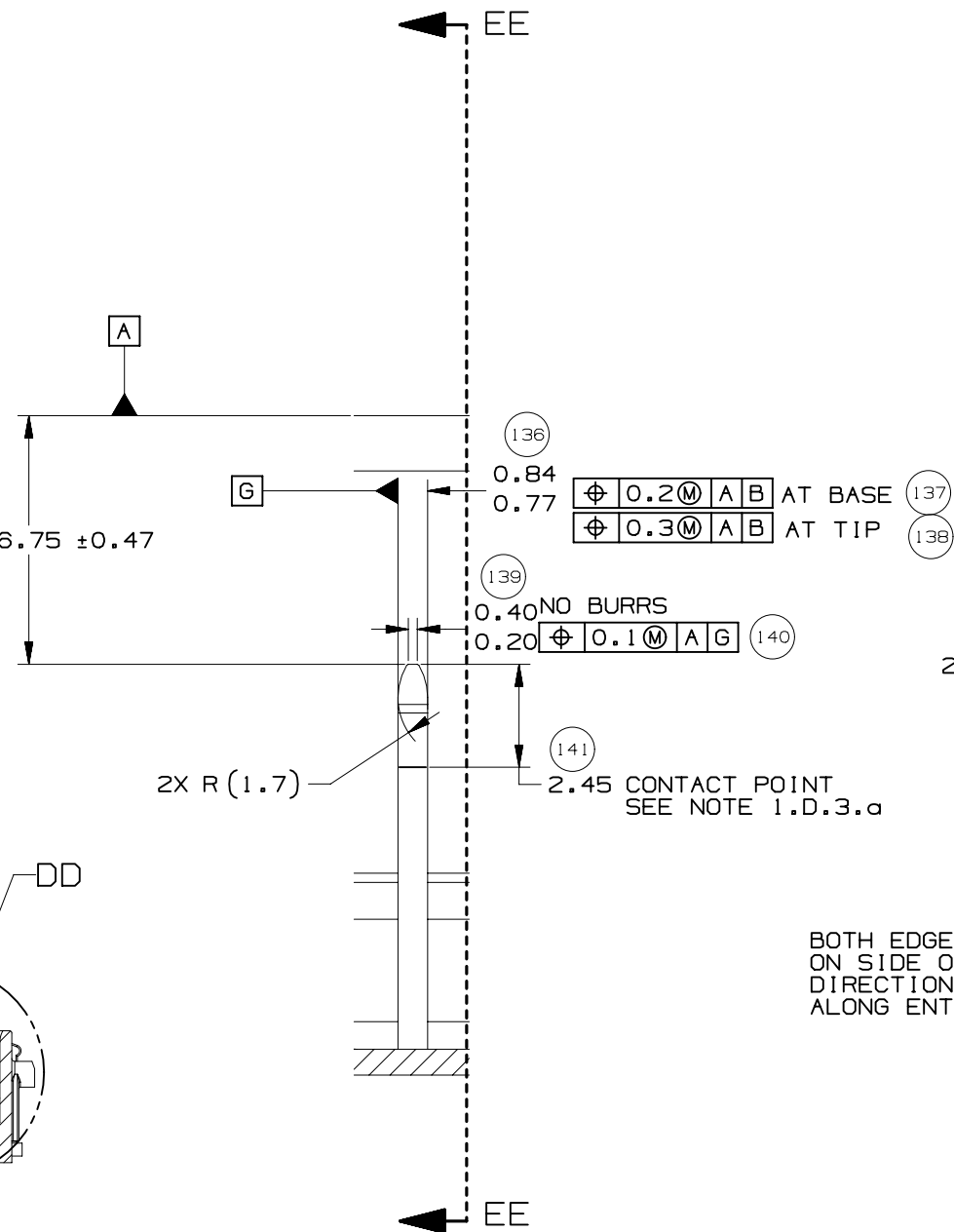
66 CKT COMPONENT
CONNECTOR INTERFACE



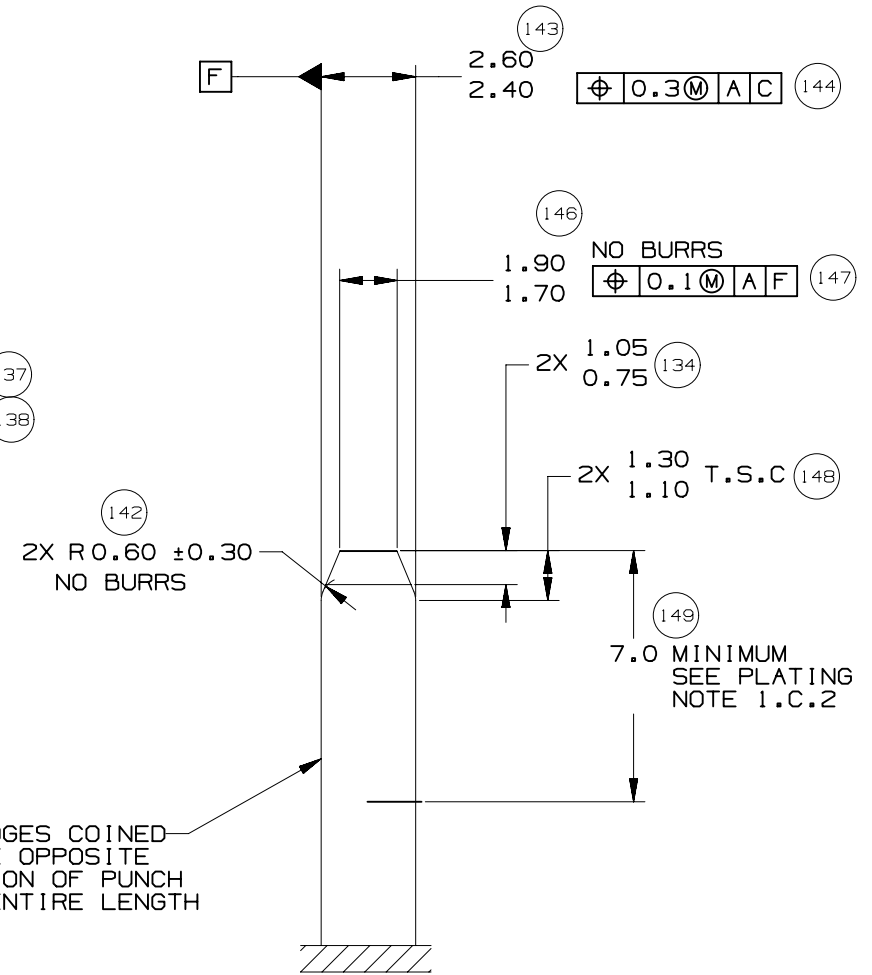
73 CKT COMPONENT
CONNECTOR INTERFACE



SECTION CC-CC



DETAIL DD
TYPICAL
SCALE 5:1



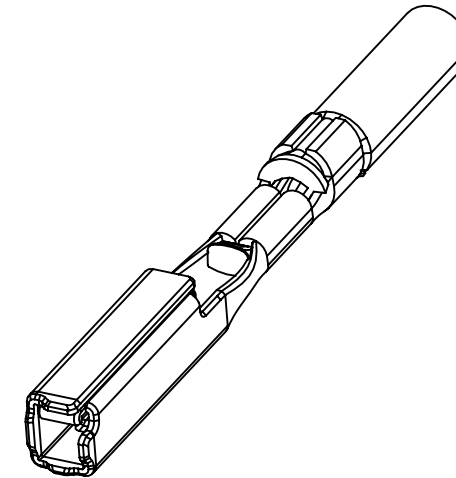
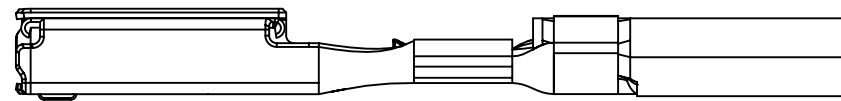
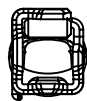
SECTION EE-EE
TYPICAL

BOTH EDGES COINED
ON SIDE OPPOSITE
DIRECTION OF PUNCH
ALONG ENTIRE LENGTH



MOLEX MX64 RECEPTACLE TERMINAL INFORMATION

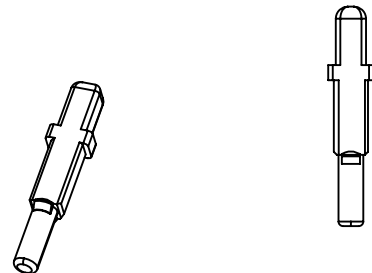
ITEM	MOLEX P/N	GM P/N	WIRE SIZE MM2	TYPE	PLATING	REEL WIND DIRECTION	COMMENTS
1	34736-0025		0.35	ISO	SILVER	LEFT	
2	34736-0026	12672850	0.35	ISO	SILVER	RIGHT	
3	34736-0027		0.5 / 0.75	ISO	SILVER	LEFT	
4	34736-0028	12672851	0.5 / 0.75	ISO	SILVER	RIGHT	



CAVITY PLUGS

ITEM	MFG	MFG P/N	GM P/N RD	SIZE	COLOR	MFG DRAWING	PROD SPEC	APP SPEC	COMMENTS
1	MOLEX	34586-0001	12674820	0.64	NATURAL	SD-34586-001	PS-34566-0000	AS-34566-001	
2	YAZAKI	7158-3114-90	12674821	2.8	BLUE	7158-3114-90	YPES-11-04-062	YPES-15-299	

ITEM 1



ITEM 2

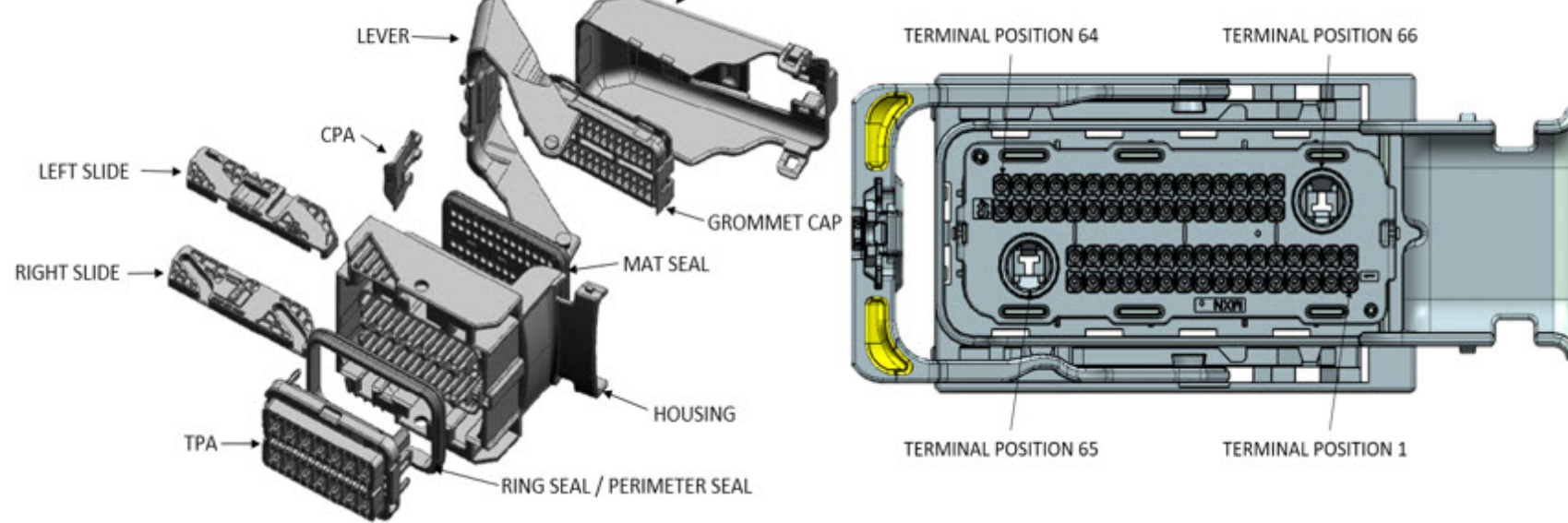


PAGE TITLE
ADDITIONAL COMPONENTS REQUIRED

DRAWING NUMBER
12672833

DWG STATUS		
ST	REV	PD1
R	001	

PAGE NUMBER
22 OF 22



G-CAP-0-O	GROMMET CAP OPTION 0 ALL OPEN	BLACK	SPS/PA, G.F. 30%
G-CAP-9-P	GROMMET CAP OPTION 9 PLUGGED	BLACK	SPS/PA, G.F. 30%
G-CAP-9-O	GROMMET CAP OPTION 9 ALL OPEN	BLACK	SPS/PA, G.F. 30%
C-HSG-A0	CONNECTOR HOUSING KEY A - WDC OPT 0	BLACK	SPS/PA, G.F. 30%
C-HSG-C0	CONNECTOR HOUSING KEY C - WDC OPT 0	BLACK	SPS/PA, G.F. 30%
C-HSG-A9	CONNECTOR HOUSING KEY A - WDC OPT 9	BLACK	SPS/PA, G.F. 30%
C-HSG-C9	CONNECTOR HOUSING KEY C - WDC OPT 9	BLACK	SPS/PA, G.F. 30%
TPA-A0	TERMINAL POSITION ASSURANCE (TPA) OPTION 0	BLACK	SPS/PA, G.F. 30%
TPA-C0	TERMINAL POSITION ASSURANCE (TPA) OPTION 0	BLUE	SPS/PA, G.F. 30%
TPA-A9	TERMINAL POSITION ASSURANCE (TPA) OPTION 9	BLACK	SPS/PA, G.F. 30%
TPA-C9	TERMINAL POSITION ASSURANCE (TPA) OPTION 9	BLUE	SPS/PA, G.F. 30%
MAL	MATE ASSIST LEVER	BLACK	SPS/NYLON GF30
RS	SLIDE - RIGHT	BLACK	PBT W/PTFE, G.F. 30%
LS	SLIDE - LEFT	BLACK	PBT W/PTFE, G.F. 30%
CVR BLACK	DRESS COVER BLACK	BLACK	PBT, G.F. 30%
CVR GRAY	DRESS COVER GRAY	GRAY	PBT, G.F. 30%
CVR BLUE	DRESS COVER BLUE	BLUE	PBT, G.F. 30%
CVR BROWN	DRESS COVER BROWN	BROWN	PBT, G.F. 30%
CVR GREEN	DRESS COVER GREEN	GREEN	PBT, G.F. 30%
CVR NATURAL	DRESS COVER NATURAL	NATURAL	PBT, G.F. 30%
CVR YELLOW	DRESS COVER YELLOW	YELLOW	PBT, G.F. 30%
CPA	CONNECTOR POSITION ASSURANCE (CPA)	RED	PPE/PA 10% GF
MSEAL	MAT SEAL	RUST RED	INHERENTLY LUBRICATED SILICONE RUBBER
RSEAL	RING SEAL	RUST RED	INHERENTLY LUBRICATED SILICONE RUBBER

FOR ADDITIONAL INFORMATION SEE SD-34566-001

ASSEMBLY DESCRIPTION	ASSEMBLY PART NUMBER	CONNECTOR HOUSING	GROMMET CAP	TPA	RIGHT SLIDE	LEFT SLIDE	MATE ASSIST LEVER	CPA	MAT SEAL	RING SEAL	BLOCKED TERMINALS																STATUS	COMMENTS	INTEGRAL COMPONENTS SOLD SEPARATELY			
											CAVITY WITH A NUMBER INDICATES BLOCKED TERMINAL POSITION CAVITY WITHOUT A NUMBER INDICATES OPEN TERMINAL POSITION																		DRESS COVER			
											-	-	-	-	-	-	-	-	-	-	-	-	-	-	-	-			-	-	-	-
MX123 CONN ASSY 66 CKT BLK OPT0 KEY A/66	348220013	C-HSG-A0	G-CAP-0-P	TPA-A0	RS	LS	MAL	CPA	MSEAL	RSEAL	-	-	-	-	-	-	-	-	-	-	-	-	-	-	-	-	-	-	-	SALEABLE		345650003
MX123 CONN ASSY 66 CKT BLK OPT9 KEY A/66	348220023	C-HSG-A9	G-CAP-9-P	TPA-A9	RS	LS	MAL	CPA	MSEAL	RSEAL	-	-	-	-	-	-	-	-	-	-	-	-	-	-	-	-	-	-	-	SALEABLE		345650003
MX123 CONN ASSY 66 CKT BLU OPT0 KEY C/66	348220033	C-HSG-C0	G-CAP-0-P	TPA-C0	RS	LS	MAL	CPA	MSEAL	RSEAL	-	-	-	-	-	-	-	-	-	-	-	-	-	-	-	-	-	-	-	SALEABLE		345650003
MX123 CONN ASSY 66 CKT BLU OPT9 KEY C/66	348220043	C-HSG-C9	G-CAP-9-P	TPA-C9	RS	LS	MAL	CPA	MSEAL	RSEAL	-	-	-	-	-	-	-	-	-	-	-	-	-	-	-	-	-	-	-	SALEABLE		345650003
MX123 CONN ASSY 66 CKT BLK OPT0 KEY A/32	348220073	C-HSG-A0	G-CAP-0-P	TPA-A0	RS	LS	MAL	CPA	MSEAL	RSEAL	64	-	-	-	-	-	58	57	56	55	-	-	52	-	50	-	-	-	-	SALEABLE		345650003
											48	-	46	45	44	43	42	41	40	39	-	-	36	-	34	-	-	-	-			
											-	-	-	-	-	-	32	31	30	29	-	27	26	-	24	23	-	-	-			
											-	-	-	-	-	-	16	-	-	-	12	11	10	9	-	6	5	4	-			
MX123 CONN ASSY 66 CKT BLK OPT9 KEY A/33	348220083	C-HSG-A9	G-CAP-9-P	TPA-A9	RS	LS	MAL	CPA	MSEAL	RSEAL	64	-	-	-	-	-	58	57	56	55	-	-	52	-	50	-	-	-	-	SALEABLE		345650003
											48	-	46	45	44	43	42	41	40	-	-	36	-	34	-	-	-	-				
											-	-	-	-	-	-	32	31	30	29	-	27	26	-	24	23	-	-	-			
											-	-	-	-	-	-	16	-	-	-	12	11	10	9	-	6	5	4	-			
MX123 CONN ASSY 66 CKT BLK OPT9 KEY A/32	348220093	C-HSG-A9	G-CAP-9-P	TPA-A9	RS	LS	MAL	CPA	MSEAL	RSEAL	64	-	-	-	-	-	58	57	56	55	-	-	52	-	50	-	-	-	-	SALEABLE		345650003
											48	-	46	45	44	43	42	41	40	39	-	-	36	-	34	-	-	-	-			
											-	-	-	-	-	-	32	31	30	29	-	27	26	-	24	23	-	-	-			
											-	-	-	-	-	-	16	-	-	-	12	11	10	9	-	6	5	4	-			

	NUMBER	HOUSING			SLIDE	SLIDE	LEVER		SEAL	SEAL	CAVITY WITH A NUMBER INDICATES BECKETT TERMINAL POSITION CAVITY WITHOUT A NUMBER INDICATES OPEN TERMINAL POSITION																		DRESS COVER								
MX123 CONN ASSY 66 CKT BLK OPT9 KEY A/12	348220843	C-HSG-A9	G-CAP-9-P	TPA-A9	RS	LS	MAL	CPA	MSEAL	RSEAL	64	63	62	61	-	59	58	57	56	55	54	53	52	51	50	49					SALEABLE		345650003				
											48	47	46	45	44	43	42	41	40	39	-	-	-	-	-	-											
															-	31	30	29	28	27	26	25	24	23	22	21	20	19	18	17							
															16	15	14	-	12	11	10	9	8	7	-	5	4	3	2	1							

STATUS	GM PART #	HRNS CONN ASSY				TPA	GROMMET CAP																																																																		
		MATERIAL/PART	WIRE DRESS OPTION	KEY OPTION ▽ Fp	COLOR OPTION ▽ Fp	NUMBERS INDICATE CAVITIES OPEN FOR CIRCUITS ▽ Fp																																																																			
		NUMBER																																																																							
TOOL DES. REL.	12672852	160094-0001	0	A	BLACK	<table border="1"> <tr> <td rowspan="2">52</td> <td>14</td><td>13</td><td>12</td><td>11</td><td>10</td><td>9</td><td>8</td><td>7</td><td>6</td><td>5</td><td>4</td><td>3</td> <td rowspan="2">2</td> </tr> <tr> <td>26</td><td>25</td><td>24</td><td>23</td><td>22</td><td>21</td><td>20</td><td>19</td><td>18</td><td>17</td><td>16</td><td>15</td> </tr> <tr> <td rowspan="2">51</td> <td>38</td><td>37</td><td>36</td><td>35</td><td>34</td><td>33</td><td>32</td><td>31</td><td>30</td><td>29</td><td>28</td><td>27</td> <td rowspan="2">1</td> </tr> <tr> <td>50</td><td>49</td><td>48</td><td>47</td><td>46</td><td>45</td><td>44</td><td>43</td><td>42</td><td>41</td><td>40</td><td>39</td> </tr> </table>																52	14	13	12	11	10	9	8	7	6	5	4	3	2	26	25	24	23	22	21	20	19	18	17	16	15	51	38	37	36	35	34	33	32	31	30	29	28	27	1	50	49	48	47	46	45	44	43	42	41	40	39
52	14	13	12	11	10																		9	8	7	6	5	4	3	2																																											
	26	25	24	23	22																	21	20	19	18	17	16	15																																													
51	38	37	36	35	34																	33	32	31	30	29	28	27	1																																												
	50	49	48	47	46																	45	44	43	42	41	40	39																																													
TOOL DES. REL.	N/A	160094-0002	0	B	ST GRY																																																																				
TOOL DES. REL.	12672854	160094-0003	0	C	BLUE																																																																				
TOOL DES. REL.	N/A	160094-0004	0	D	BROWN																																																																				
TOOL DES. REL.	N/A	160094-0005	0	E	GREEN																																																																				
TOOL DES. REL.	N/A	160094-0006	0	F	NATURAL																																																																				
TOOL DES. REL.	12672853	160094-0013	9	A	BLACK	<table border="1"> <tr> <td rowspan="2">52</td> <td>14</td><td>13</td><td>12</td><td>11</td><td>10</td><td>9</td><td>8</td><td>7</td><td>6</td><td>5</td><td>4</td><td>3</td> <td rowspan="2">2</td> </tr> <tr> <td>26</td><td>25</td><td>24</td><td>23</td><td>22</td><td>21</td><td>20</td><td>19</td><td>18</td><td>17</td><td>16</td><td>15</td> </tr> <tr> <td rowspan="2">51</td> <td>38</td><td>37</td><td>36</td><td>35</td><td>34</td><td>33</td><td>32</td><td>31</td><td>30</td><td>29</td><td>28</td><td>27</td> <td rowspan="2">1</td> </tr> <tr> <td>50</td><td>49</td><td>48</td><td>47</td><td>46</td><td>45</td><td>44</td><td>43</td><td>42</td><td>41</td><td>40</td><td>39</td> </tr> </table>																52	14	13	12	11	10	9	8	7	6	5	4	3	2	26	25	24	23	22	21	20	19	18	17	16	15	51	38	37	36	35	34	33	32	31	30	29	28	27	1	50	49	48	47	46	45	44	43	42	41	40	39
52	14	13	12	11	10																		9	8	7	6	5	4	3	2																																											
	26	25	24	23	22																	21	20	19	18	17	16	15																																													
51	38	37	36	35	34																	33	32	31	30	29	28	27	1																																												
	50	49	48	47	46																	45	44	43	42	41	40	39																																													
TOOL DES. REL.	N/A	160094-0014	9	B	ST GRY																																																																				
TOOL DES. REL.	12672855	160094-0015	9	C	BLUE																																																																				
TOOL DES. REL.	N/A	160094-0016	9	D	BROWN																																																																				
TOOL DES. REL.	N/A	160094-0017	9	E	GREEN																																																																				
TOOL DES. REL.	N/A	160094-0018	9	F	NATURAL																																																																				
NA	NA	NA	NA	NA	NA																																																																				
						73																																																																			
SALEABLE	NOT APPLICABLE	34566-2503	0	A	BLACK	72	71		69	68	67	66		64	63	62		59		56		53																																																			
								50		48		46		44	43	42		39		36	35	33																																																			
						73				32		30	29		27			23		20		17																																																			
											14	13	12	11		9	8		5	4	3	2	1																																																		
SALEABLE	NOT APPLICABLE	34566-2603	0	B	ST GRY					67	66	65					59		57		55	53																																																			
								49	48	47		44					39		37		35	33																																																			
						73						29	28				23		21																																																						
																	7																																																								
SALEABLE	NOT APPLICABLE	34566-2703	0	B	ST GRY				49	48	47		65				59		57		55	53																																																			
													44				39		37		35	33																																																			
						73						29	28				23		21																																																						
																	7																																																								
SALEABLE	TBD	34566-2803	0	H	ST GRY																																																																				
SALEABLE	NOT APPLICABLE	34566-2903	0	A	BLACK	72	71	70	69	68	67	66		64	63	62	61		59		55	54	53																																																		
						52	51		49	48			44	43	42	41		39		35	34	33																																																			
						73				32	31		29		27		25		23		19	18	17																																																		
										16			13	12	11		9	8	7	6	5	4	3	2	1																																																
SALEABLE	NOT APPLICABLE	34566-3003	0	A	BLACK	72	71	70	69	68	67	66		64	63	62		60	59	58	57	56	55	54	53																																																
						52	51	50	49	48	47	46		44	43	42	41	40	39	38	37	36	35	34	33																																																
						73				32	31	30	29	28	27		25	24	23	22	21	20	19	18	17																																																
										16	15	14	13	12	11		9	8	7	6	5	4	3	2	1																																																
SALEABLE	NOT APPLICABLE	34566-3103	0	B	ST GRY				49	48		46				62		59		57		55		53																																																	
																42		39		37		35		33																																																	
						73						29			26			23		21			18																																																		
										15							9	8	7		4	3																																																			
SALEABLE	NOT APPLICABLE	34566-3203	0	B	ST GRY					67							60	59	58	57	56	55		53																																																	
								50	49	48		46						39	38	37		35	34	33																																																	
						73						29						23	22	21			18																																																		
										16	15	14						7	6	5	4	3																																																			
SALEABLE	NOT APPLICABLE	34566-3303	0	B	ST GRY				50	49	48		46					59	58	57	56	55		53																																																	
																		39	38	37		35	34	33																																																	
						73						29						23	22	21			18																																																		
										16	15	14						7	6	5	4	3																																																			
SALEABLE	NOT APPLICABLE	34566-3403	SEE 34566-3003																																																																						
SALEABLE	NOT APPLICABLE	34566-3503	0	A	BLACK	72	71		69	68	67	66		64	63	62		60	59																																																						
						52			49	48		46		44	43	42		40	39			35		33																																																	
						73				32			29		27			24	23					17																																																	
												14	13	12	11		9	8	7	6	5	4	3	2	1																																																

STATUS	GM PART #	HRNS CONN ASSY			TPA	GROMMET CAP																									
		MATERIAL/PART	WIRE DRESS OPTION	KEY OPTION ▽ Fp		COLOR OPTION ▽ Fp	NUMBERS INDICATE CAVITIES OPEN FOR CIRCUITS ▽ Fp																								
		NUMBER																													
SALEABLE	NOT APPLICABLE	34566-6603	0	H	ST GRAY		79	78	77	76	75	74	73	72	71	70	69	68		66	65	64	63		61						
						60	59	58	57	56			53	52		50								44	43		41				
						40	39	38	37			35	34	33	32			30	29			27	26				22	21			
						20	19	18	17	16					13	12						8		6	5		3	2			
SALEABLE	NOT APPLICABLE	34566-6703	0	H	ST GRAY		79	78	77	76	75	74	73	72	71	70	69	68		66	65	64	63		61						
						60	59	58	57	56			53			50								44	43		41				
						40	39	38	37			35	34	33	32			30	29			27	26				22	21			
						20	19	18	17					14	13	12	11	10	9	8			6	5		3	2				
SALEABLE	NOT APPLICABLE	34566-6803	0	B	ST GRAY																										
									49	48			46		44								39		37		35	33			
									73						29	28									23		21				
SALEABLE	NOT APPLICABLE	34566-6903	0	B	ST GRAY																										
									49	48			46																		
									73						32			29							23		21		18		
SALEABLE	NOT APPLICABLE	34566-7003	0	B	ST GRAY						67	66																			
									50	49	48	47																			
									73								29														
																15		13	12												
SALEABLE	NOT APPLICABLE	34566-7103	0	A	BLACK	72	71	70	69	68	67	66		64	63	62		60	59					55	54	53					
						52			49	48				44	43	42		40	39							35	34	33			
									73						32			29	28	27			24	23				19	18	17	
															16			13	12	11		9	8	7	6	5	4	3	2	1	
SALEABLE	NOT APPLICABLE	34566-7203	0	B	ST GRAY	72	71	70	69	68	67	66	65	64	63	62		60	59						55	54	53				
						52			49	48				44	43	42		40	39								35	34	33		
									73						32			29	27			24	23				20	19	18	17	
															16			13	12	11		9	8	7	6	5	4	3	2	1	
SALEABLE	NOT APPLICABLE	34566-7303	0	B	ST GRAY				69	68		66																			
									49	48			46		44																
									73								29	28													
																		12	11	10											
SALEABLE	NOT APPLICABLE	34566-7403	0	B	ST GRAY																										
									50	49	48			46																	
									73								29														
																15															
SALEABLE	NOT APPLICABLE	34566-7503	0	A	BLACK	72	71	70	69	68	67	66		64	63	62		60	59	58	57	56	55	54	53						
						52	51	50	49	48	47	46		44	43	42		40	39	38	37	36	35	34	33						
									73						32	31	30	29	28	27			24	23	22	21	20	19	18	17	
															16	15	14	13	12	11		9	8	7	6	5	4	3	2	1	
SALEABLE	NOT APPLICABLE	34566-7603	0	B	ST GRAY				69	68		66																			
									49	48			46		44																
									73								29	28													
																		12	11	10											
SALEABLE	NOT APPLICABLE	34566-7703	0	A	BLACK	72	71	70	69	68	67	66		64	63	62		60	59						55	54	53				
						52			49	48				44	43	42		40	39								35	34	33		
									73						32			29		27			24	23				19	18	17	
															16			13	12	11		9	8	7	6	5	4	3	2	1	
SALEABLE	NOT APPLICABLE	34566-7803	0	A	BLACK	72	71	70		68		66		64	63	62	61	60	59						55	54	53				
						52			49	48			46		44	43	42		40	39							35	34	33		
									73						32			29	28	27			24	23				19	18	17	
															16		14	13	12	11		9	8	7	6			3	2	1	
SALEABLE	NOT APPLICABLE	34566-7903	0	B	ST GRAY																										
SALEABLE	NOT APPLICABLE	34566-8003	0	A	BLACK				69	68			65	64	63		61	60	59	58											
						52			50	49	48	47																			
									73								32	31	30	29	28	27			24	23		20	19	18	17

STATUS	GM PART #	HRNS CONN ASSY			TPA	GROMMET CAP																								
		MATERIAL/PART	WIRE DRESS OPTION	KEY OPTION Fp		COLOR OPTION Fp	NUMBERS INDICATE CAVITIES OPEN FOR CIRCUITS																							
		NUMBER					Fp																							
SALEABLE	NOT APPLICABLE	34566-8103	0	H	ST GRY			78							72	71	70	69	68		66	65	64	63		61				
						60	59	58	57	56				53	52		50										44	43		41
						40			37		35	34	33	32		30	29		27	26								24		22
SALEABLE	NOT APPLICABLE	34566-8203	0	A	BLACK			70			67	66									58		56	55	54					
											47			44	43	42	41		39							37	36		34	
						73				31	30			27		25	24									21	20	19	18	
SALEABLE	NOT APPLICABLE	34566-8303	0	A	BLACK		72	71		69	68	67	66		64	63	62			59	58	57	56		54	53				
						52	51	50	49	48	47	46		44	43	42		39	38	37	36	35	34	33						
						73				32	31	30	29		27			24	23	22	21	20	19	17						
SALEABLE	NOT APPLICABLE	34566-8403	0	B	ST GRY									65	64						59		57		55	53				
								50	49	48		46							39		37		35							
						73				32			29					24	23		21									
SALEABLE	NOT APPLICABLE	34566-8503	0	B	ST GRY		72	71	70	69	68	67	66	65	64	63	62		60	59					55	54	53			
						52			49	48				44	43	42		39								35	34	33		
						73				32			29		27			24	23		21	20	19	17						
SALEABLE	NOT APPLICABLE	34566-8603	0	A	BLACK					69	68		66							59		57		55		53				
									49	48		46		44					39	38	37		35							
						73						29	28					23		21			18	17						
SALEABLE	NOT APPLICABLE	34566-8703	0	B	ST GRY					69	68		66		64					59		57		55		53				
								50	49	48	47			44				39		37		35								
						73						29	28					23		21			17							
SALEABLE	NOT APPLICABLE	34566-8803	0	B	ST GRY						68	67	66	65						59	58	57			54	53				
							51	50	49	48		46	45		43	42		40	39	38	37									
						73				32	31	30			26		24	23	22		20									
SALEABLE	NOT APPLICABLE	34566-8903	0	H	ST GRY			78								71	70	69	68	67	66	65	64	63		61				
								58	57	56				53	52	51	50									44	43		41	
						40			37		35	34	33	32		30	29		27	26							24		22	21
SALEABLE	NOT APPLICABLE	34566-9003	0	B	ST GRY					69	68		66							59		57		55		53				
									49	48		46		44				39		37		35								
						73						29	28					23		21			18							
SALEABLE	NOT APPLICABLE	34566-9103	0	A	BLACK						68		65		63		61		59	58		56				53				
						52	51	50		47					41			38	37	36	35	34	33							
						73				32	31	30	29	28	27		25	24	23	22	21	20	19	18	17					
SALEABLE	NOT APPLICABLE	34566-9203	0	A	BLACK		72	71	70	69	68	67	66		64	63	62		60	59					55	54	53			
						52			49	48				44	43	42		40	39	38						35	34	33		
						73						30	29	28	27			24	23								19	18	17	
SALEABLE	NOT APPLICABLE	34566-9303	0	A	BLACK		72	71		69	68	67	66		64	63	62			59	58	57	56	55	54	53				
						52	51	50	49	48	47	46		44	43	42		39	38	37	36	35	34	33						
						73				32	31	30	29		27			24	23	22	21	20	19	17						
SALEABLE	NOT APPLICABLE	34566-9403	0	B	ST GRY						68	67	66	65						59	58	57			54	53				
								51	50	49	48		46	45		43	42	41	40	39	38	37		35						
						73				32	31	30				26		24	23	22		20								
SALEABLE	NOT APPLICABLE	34566-9503	0	A	BLACK		72	71	70	69	68			65	64	63		61		59	58	57	56							
						52	51		49		47					41			38	37	36		34	33						
						73				32	31	30	29	28	27			24	23		20	19	18	17						

STATUS	GM PART #	HRNS CONN ASSY			TPA	GROMMET CAP																				
		MATERIAL/PART	WIRE DRESS OPTION	KEY OPTION Fp	COLOR OPTION Fp	NUMBERS INDICATE CAVITIES OPEN FOR CIRCUITS																				
		NUMBER				Fp																				
SALEABLE	NOT APPLICABLE	34566-1143	0	A	BLACK	52		50		68		65		63		61		59	58		56		53			
										32	31	30	29	28	27		25	24	23	22	21	20	19	18	17	
						73			16	15	14	13	12	11	10	9										1
SALEABLE	NOT APPLICABLE	34566-1153	0	A	BLACK			70		67	66	65						58	57		55					
									49		47		44	43	42	41		39		37						
						73			32		30			27		25	24	23		21	20	19	18			
SALEABLE	NOT APPLICABLE	34566-1163	0	H	ST GRAY			78					72	71	70	69	68		66	65	64	63	61			
						60	59	58	57	56			53	52		50				44	43				41	
						40			37		35	34		32		30	29	27	26					22	21	
SALEABLE	NOT APPLICABLE	34566-1173	0	A	BLACK	20	19	18	17	16		13	12			8		6	5		3	2				
						72	71		69	68		65	64	63	62	61	60	59	58		56		54			
						52		50	49	48	47		45		42	41			38	37	36		34	33		
SALEABLE	NOT APPLICABLE	34566-1183	0	B	ST GRAY	73			16			13	12	11	10	9										
									49	48	47		44		42			39		37		35				
													29	28				23		21						
SALEABLE	NOT APPLICABLE	34566-1193	0	A	BLACK					66	65	64		62			59		57		55		53			
						72	71		69	68	67	66		64	63	62		60	59					54	53	
						52			49	48		46		44	43	42			39					34	33	
SALEABLE	NOT APPLICABLE	34566-1213	0	A	BLACK	73			32			29	27			23						17				
											14	13	12	11		9	8	7	6	5	4	3	2	1		
SALEABLE	NOT APPLICABLE	34566-1223	0	B	ST GRAY					67	66	65		63	62		59		57		55		53			
									49	48			43	42		39		37		35					33	
						73						29	27	26		23		21								17
SALEABLE	NOT APPLICABLE	34566-1233	0	B	ST GRAY					65			62			59		57		55		53				
									48		46		42		39		37		35						33	
						73						29		26		23		21								17
SALEABLE	NOT APPLICABLE	34566-1243	0	B	ST GRAY											59		57		55		53				
								50		48		46				39		37		35					33	
						73						29				23		21								17
SALEABLE	NOT APPLICABLE	34566-1253	9	B	ST GRAY							65				60	59		57		55		53			
								49	48		46				40	39		37		35					33	
						73										24	23		21							2
SALEABLE	NOT APPLICABLE	34566-1263	9	A	BLACK	NUMBERS IN BOLD MUST USE SAE WIRE MEETING SAE J1128, WIRE SIZE (NO.20) OR (NO.18 MAX. O.D. OF 2.06 MM) PER G.M. DRAWING NUMBER 12582682.																				
						72	71		69	68	67	66		64	63	62			59			56			53	
								50		48		46		44	43	42			39			36	35			33
SALEABLE	NOT APPLICABLE	34566-1273	0	A	BLACK	73			32		30	29	27		24	23		20				17				
											14	13	12	11		9	8		5	4	3	2	1			
								70	69	68		65	64	63		61		59	58	57	56					
SALEABLE	NOT APPLICABLE	34566-1283	0	A	BLACK	52		50	49	48	47					41		38	37	36		34	33			
						73			32	31	30	29	28	27		24	23		20	19	18					
										16			13	12	11	10	9									
SALEABLE	NOT APPLICABLE	34566-1283	0	A	BLACK	72	71	70	69	68		66	65	64	63		61		59	58	57	56		54		
						52		50	49	48	47					42	41		38	37	36		34	33		
						73			32	31	30	29	28	27	26		24	23		20	19	18				

STATUS	GM PART #	HRNS CONN ASSY			TPA	GROMMET CAP																					
		MATERIAL/PART	WIRE DRESS OPTION	KEY OPTION Fp	COLOR OPTION Fp	NUMBERS INDICATE CAVITIES OPEN FOR CIRCUITS																					
		NUMBER				Fp																					
SALEABLE	NOT APPLICABLE	34566-1473	0	A	BLACK	72	71		69	68	67	66		64	63	62			59					54	53		
						52			49	48		46		44	43	42			39							34	33
						73				32			29	12	11			9	8	7	6	5	4	3	2	1	
SALEABLE	NOT APPLICABLE	34566-1483	0	A	BLACK	72	71		69	68			65	64	63		61		59	58		56					
						52		50	49		47						41			38	37	36		34	33		
						73				32	31	30	29	28	27			24	23			20	19	18	17		
SALEABLE	NOT APPLICABLE	34566-1493	0	B	ST GRAY				68								59	58	57		55						
									49	48		46						39	38	37		35					
						73							29					23	22	21			18	17			
SALEABLE	NOT APPLICABLE	34566-1513	0	B	ST GRAY							65					59		57		55						
									49	48		46					39		37		35						
						73							29					23		21							
SALEABLE	NOT APPLICABLE	34566-1523	0	A	BLACK			70	69	68			65	64			59	58		56		54					
						52		50	49		47				42	41			38	37	36		34				
						73				32	31	30	29	28	27	26			23			20	19	18	17		
SALEABLE	NOT APPLICABLE	34566-1533	0	A	BLACK												59	58	57	56							
						52	51	50	49		47						41			38	37	36		34	33		
						73				32	31	30	29	28	27			24	23			20	19	18	17		
SALEABLE	NOT APPLICABLE	34566-1543	0	B	ST GRAY				69	68		66					59		57		55						
									49	48		46					39		37		35						
						73							29					23		21							
SALEABLE	12582677	34566-1553	0	A	BLACK																						
						73																					
TOOL DESIGN SALEABLE	NOT APPLICABLE	34566-1563	9	A	BLACK																						
						73																					
TOOL DESIGN SALEABLE	NOT APPLICABLE	34566-1573	9	H	ST GRAY																						
						73																					
SALEABLE	NOT APPLICABLE	34566-1583	0	A	BLACK			70			67	66	65			61		58	57		55	54					
									49		47		45	44	43	42	41		39		37		34				
						73				32		30			27		25	24			21	20	19	18	17		
SALEABLE	NOT APPLICABLE	34566-1593	0	B	ST GRAY						67		65			61	60	59	58	57		54	53				
							51	50	49	48	47	46	45		43	42		40	39		37		34	33			
						73				32	31	30				26		24	23	22	21	20					
SALEABLE	NOT APPLICABLE	34566-1613	0	H	ST GRAY		79	78	77	76	75	74	73	72	71	70	69	68		66	65	64	63		61		
						60	59	58	57	56			53			50						44	43		41		
						40	39	38	37		35	34	33	32		30	29		27	26			24	23	22	21	
SALEABLE	NOT APPLICABLE	34566-1623	0	B	ST GRAY							66	65			62		59		57		55		53			
										48	47				42			39		37		35					
						73							29			26			23		21						
SALEABLE	NOT APPLICABLE	34566-1633	0	B	ST GRAY				69	68		66					59		57		55						
								50		48	47					39		37		35							
						73							29			12	11	10			7	6	5	4	3		

STATUS	GM PART #	HRNS CONN ASSY			TPA	GROMMET CAP																				
		MATERIAL/PART	WIRE DRESS OPTION	KEY OPTION Fp		COLOR OPTION Fp	NUMBERS INDICATE CAVITIES OPEN FOR CIRCUITS																			
		NUMBER					Fp																			
SALEABLE	NOT APPLICABLE	34566-1643	0	B	ST GRAY				69	68		66							59		57		55		53	
								50		48		46							39		37		35		33	
						73				15		29		12	11	10			7	6	5	4	3			
SALEABLE	NOT APPLICABLE	34566-1653	0	B	ST GRAY							66						59		57		55		53		
								50		48		46						39		37		35		33		
						73				15		29		12				7	6	5	4	3				
SALEABLE	NOT APPLICABLE	34566-1663	0	B	ST GRAY							66						59		57		55		53		
								50		48		46						39		37		35		33		
						73				15		29		12				7	6	5	4	3				
SALEABLE	NOT APPLICABLE	34566-1673	0	A	BLACK	72	71	70	69	68	67	66	65	64	63	62		60	59				55	54	53	
						52			49	48			45	44	43	42	41	40	39					35	34	33
						73				32			29		27		25	24	23					19	18	17
										16			13	12	11		9	8	7	6	5	4	3	2	1	
SALEABLE	NOT APPLICABLE	34566-1683	0	B	ST GRAY					67	66			63				59	58	57	56	55		53		
								50	49	48				43				39	38	37	36	35		33		
						73				16	15	14	13					8	7	6	5	4	3			
SALEABLE	NOT APPLICABLE	34566-1693	0	B	ST GRAY							66		64				59		57		55		53		
								49	48		46							39		37		35		33		
						73				32			29					23		21						
SALEABLE	NOT APPLICABLE	34566-1713	0	B	ST GRAY																					
							71	70		68		66	65	64	63			60	59	58	57	56	55	54	53	
							51	50	49	48		46	45		43		41	40	39	38	37	36	35	34	33	
						73				32	31	30					24	23	22		20	19				
SALEABLE	NOT APPLICABLE	34566-1723	0	B	ST GRAY																					
							71	70		68		66	65					60	59	58	57			54	53	
							51	50	49	48		46	45		43		41	40	39	38	37	36	35			
						73				32	31	30					24	23	22		20					
SALEABLE	NOT APPLICABLE	34566-1733	0	A	BLACK																					
								70		68	67	66	65							58	57		55			
								49		47				44	43	42	41		39		37		35			
						73				32		30			27		25	24			21	20	19	18	17	
SALEABLE	NOT APPLICABLE	34566-1743	0	A	BLACK																					
								70		67	66	65								58	57		55			
								49		47				44	43	42	41		39		37		35			
						73				32		30			27		25	24			21	20	19	18	17	
SALEABLE	NOT APPLICABLE	34566-1753	0	A	BLACK																					
								70		67	66	65								58	57		55			
								49		47				44	43	42	41		39		37		35			
						73				32				27		25	24			21	20	19	18	17		
SALEABLE	NOT APPLICABLE	34566-1763	0	B	ST GRAY																					
								70		67	66	65								58	57		55			
								49		47				44	43	42	41		39		37		35			
						73				32	31	30				26		24	23	22	21	20				
SALEABLE	NOT APPLICABLE	34566-1773	0	C	BLUE																					
								70		67	66			63	62			59		57						53
							51					46		44		42		40	39						34	33
						73				15	14				27	26	25			22	21	20				
SALEABLE	NOT APPLICABLE	34566-1783	0	C	BLUE																					
								70		67	66			63	62			59		57						53
							51					46		44		42		40	39						34	33
						73				15	14				26	25			22	21	20					
SALEABLE	NOT APPLICABLE	34566-1793	0	A	BLACK																					
								69						63	62	61			58	57	56	55	54	53		
							51		49					44	43	42	41			37	36	35	34	33		
						73				32			29	28	27	26							19	18		
				16			13	12	11	10								3								

STATUS	GM PART #	HRNS CONN ASSY			TPA	GROMMET CAP																				
		MATERIAL/PART	WIRE DRESS OPTION	KEY OPTION		COLOR OPTION	NUMBERS INDICATE CAVITIES OPEN FOR CIRCUITS																			
		NUMBER		Fp		Fp	Fp																			
SALEABLE	NOT APPLICABLE	34566-1813	0	B	ST GRY	72	71	70		68	67	66				62	61	60	59	58	57	56	55	54	53	
						52	51	50		48	47	46				42	41	40	39	38	37	36	35	34	33	
						73				16	15	14	13			10	9	8								
SALEABLE	NOT APPLICABLE	34566-1823	0	A	BLACK	72	71	70	69	68		66	65	64			61		59	58		56		54	53	
						52		50	49		47					42	41			38	37	36		34	33	
						73				32	31	30	29	28	27	26		24	23	22	21	20	19	18	17	
SALEABLE	NOT APPLICABLE	34566-1833	0	A	BLACK					68		65		63		61		59	58		56					
						52		50			47					41			38	37	36		34	33		
						73				32	31	30	29	28	27	26		24	23	22	21	20	19	18	17	
SALEABLE	NOT APPLICABLE	34566-1843	0	A	BLACK					68		65		63		61		59	58		56					
						52		50			47					41			38	37	36		34	33		
						73				32	31	30	29	28	27	26		24	23	22	21	20	19	18	17	
SALEABLE	NOT APPLICABLE	34566-1853	0	A	BLACK					68		65		63		61		59	58		56					
						52		50			47					41			38	37	36	35	34	33		
						73				32	31	30	29	28	27	26		24	23	22	21	20	19	18	17	
SALEABLE	NOT APPLICABLE	34566-1863	0	B	ST GRY					68	67	66	65	64	63											
											46	45		43												
						73				32		30	29	28	27											
SALEABLE	NOT APPLICABLE	34566-1873	0	C	BLUE	72		70			67	66			63	62			59		57				53	
						52	51				46		44		42		40	39							34	33
						73				32		30			27	26	25			22	21	20				
SALEABLE	NOT APPLICABLE	34566-1883	0	A	BLACK			70		68	67	66	65						58	57		55				
								49			47			44	43	42	41	40	39		37		35			
						73				32		30			27		25	24			21	20	19	18	17	
SALEABLE	NOT APPLICABLE	34566-1893	0	C	BLUE					68	67	66	65						58	57		55				
						72		70			66			63	62			59		57						53
						52	51				46		44		42		40	39								34
SALEABLE	NOT APPLICABLE	34566-1913	0	B	ST GRY					68		66						60	59				55	54	53	
						52		50			48		46					40	39					35	34	33
						73				32	31	30	29	28	27	26	25	24								
SALEABLE	NOT APPLICABLE	34566-1923	0	A	BLACK				69						63				58		56	55	54	53		
						52	51		49					44	43	42	41					36	35	34	33	
						73				32					28	26							19	18		
SALEABLE	NOT APPLICABLE	34566-1933	0	A	BLACK			70			67	66	65						58	57		55				
								49			47			44	43	42	41	40	39		37		35			
						73				32		30			27		25	24			21	20	19	18	17	
SALEABLE	NOT APPLICABLE	34566-1943	0	A	BLACK			70			67	66	65						58	57		55				
							51		49					44	43	42	41	40	39		37		35			
						73				32		30			27		25	24			21	20	19	18	17	
SALEABLE	NOT APPLICABLE	34566-1953	0	C	BLUE					68		66			63					58	57		55			
						72		70			66			63				59		57						53
						52	51				48	47	46		44		42		40	39						34
SALEABLE	NOT APPLICABLE	34566-1963	0	C	BLUE					68		66			63					58	57		55			
						72		70			66			63				59		57						53
						52	51				46		44		42		40	39								34
73					15	14				10	9			6	5	4										

STATUS	GM PART #	HRNS CONN ASSY			TPA	GROMMET CAP																																	
		MATERIAL/PART	WIRE DRESS OPTION	KEY OPTION Fp	COLOR OPTION Fp	NUMBERS INDICATE CAVITIES OPEN FOR CIRCUITS																																	
		NUMBER				Fp																																	
SALEABLE	NOT APPLICABLE	34566-2143	0	B	ST GRY			71	70								65					60	59	58	57					54	53								
								51	50	49	48			46	45			43			41	40	39		37	36	35							33					
						73						16	15		13	12	11	10	9	8	7	6	5	4															
SALEABLE	NOT APPLICABLE	34566-2153	0	A	BLACK				70														58	57							55								
									49			47			44	43	42	41			39			37															
						73						32			30			27			25	24	23		21	20	19	18											
SALEABLE	NOT APPLICABLE	34566-2163	0	A	BLACK				70														58	57							55	54							
									49			47			45	44	43	42	41			39			37									34					
						73						32						27			25	24	23		21	20	19	18	17										
SALEABLE	NOT APPLICABLE	34566-2173	0	A	BLACK				70														58	57							55	54							
									49			47			45	44	43	42	41			39			37									34					
						73						32			30			27			25	24			21	20	19	18	17										
SALEABLE	NOT APPLICABLE	34566-2183	0	A	BLACK				70														58	57							55	54							
									49			47			44	43	42	41			39			37										34					
						73						32						27			25	24			21	20	19	18	17										
SALEABLE	NOT APPLICABLE	34566-2193	0	A	BLACK				70														58	57							55	54							
									49			47			44	43	42	41			39			37										34					
						73						32						27			25	24			21	20	19	18	17										
SALEABLE	NOT APPLICABLE	34566-2213	9	H	ST GRY			79	78	77	76	75	74	73	72	71	70	69	68			66	65	64	63							61							
								60	59	58	57	56																							41				
								40	39	38	37				35	34	33	32			30	29			27	26									21				
SALEABLE	NOT APPLICABLE	34566-2223	0	A	BLACK			72	71	70	69	68	67	66			64	63	62			60	59								55	54	53						
								52			49	48			46			44	43	42			40	39										35	34	33			
						73						32						29			27			24	23										19	18	17		
SALEABLE	NOT APPLICABLE	34566-2233	0	A	BLACK																		58								54								
								52	51		49						44	43	42	41														36	35	34	33		
						73						32								28			26													19	18		
SALEABLE	NOT APPLICABLE	34566-2243	0	H	ST GRY			79	78	77	76	75	74	73	72	71	70	69	68			66	65	64	63							61							
								60	59	58	57	56																							41				
								40	39	38	37				35	34	33	32			30	29			27	26										21			
SALEABLE	NOT APPLICABLE	34566-2253	0	A	BLACK			72	71	70	69	68			66	65	64	63			61		59	58							55	54	53						
								52			49			47				44	43	42			41			38	37	36						34	33				
						73						32	31	30	29	28	27	26			24	23	22	21	20	19	18	17											
SALEABLE	NOT APPLICABLE	34566-2263	0	A	BLACK																		58								54								
								52	51		49						44	43	42	41														36	35	34	33		
						73						32								28			26													19	18		
SALEABLE	NOT APPLICABLE	34566-2273	0	A	BLACK																		58	57	56	55	54	53											
								52	51		49						44	43	42	41															37	36	35	34	33
						73						32						29	28	27	26			24	23	22	21	20	19	18									
SALEABLE	NOT APPLICABLE	34566-2283	0	B	ST GRY																																		
									49			48			46	45	44	43																					
						73						32			30	29	28	27																			17		
SALEABLE	NOT APPLICABLE	34566-2293	0	C	BLUE																																		
								72			70			68												59									53				
								52	51					48	47	46			44			42			40	39									34	33			
73																																							

STATUS	GM PART #	HRNS CONN ASSY			TPA	GROMMET CAP																							
		MATERIAL/PART	WIRE DRESS OPTION	KEY OPTION Fp	COLOR OPTION Fp	NUMBERS INDICATE CAVITIES OPEN FOR CIRCUITS																							
		NUMBER				Fp																							
SALEABLE	NOT APPLICABLE	34566-2473	0	A	BLACK			70		68	67	66	65						58	57		55							
									49					44	43	42	41		39			37		35		18	17		
						73												9	8		6	5		3			1		
SALEABLE	NOT APPLICABLE	34566-2483	0	A	BLACK				69						63	62	61			58	57	56	55	54	53				
						52	51		49					44	43	42	41					37	36	35	34	33			
						73													23						19	18			
SALEABLE	NOT APPLICABLE	34566-2493 SAME AS P/N 34566-3863	0	B	ST GRAY	72	71	70		68	67	66				62	61	60	59	58	57	56	55	54	53				
						52	51	50		48	47	46				42	41	40	39	38	37	36	35	34	33				
						73													10	8							2	1	
SALEABLE	NOT APPLICABLE	34566-2513	0	C	BLUE	72		70		68	67	66			63	62			59		57				53				
						52	51			48	47	46		44		42		40	39							34	33		
						73																	22	21	20				
SALEABLE	NOT APPLICABLE	34566-2523	0	A	BLACK	72	71	70	69	68	67	66	65	64	63	62		60	59					55	54	53			
						52			49	48			45	44	43	42	41	40	39							35	34	33	
						73																					19	18	17
SALEABLE	NOT APPLICABLE	34566-2533	0	B	ST GRAY						67	66	65		63				59	58	57	56	55		53				
								50	49	48		46	45		43					39	38	37	36	35	34	33			
						73																						18	
SALEABLE	NOT APPLICABLE	34566-2543	0	C	BLUE	72		70				66			63			59		57					53				
						52	51					46		44		42		40	39							34	33		
						73																							
SALEABLE	NOT APPLICABLE	34566-2553	9	B	ST GRAY	72	71	70		68	67	66				62	61	60	59	58	57	56	55	54	53				
						52	51	50		48	47	46				42	41	40	39	38	37	36	35	34	33				
						73																							
SALEABLE	NOT APPLICABLE	34566-2563	9	A	BLACK				69						63	62	61			58	57	56	55	54	53				
						52	51	50	49					44	43	42	41								37	36	35	34	33
						73																						19	18
SALEABLE	NOT APPLICABLE	34566-2573	9	C	BLUE	72		70			67	66			63	62			59		57				53				
						52	51					46		44		42		40	39							34	33		
						73																							
SALEABLE	NOT APPLICABLE	34566-2583	0	A	BLACK				69						63				58		56	55	54	53					
						52	51	50	49					44	43	42	41		39						36	35	34	33	
						73																						19	18
SALEABLE	NOT APPLICABLE	34566-2593	0	C	BLUE	72		70				66			63	62			59		57				53				
						52	51					46		44		42		40	39							34	33		
						73																							
SALEABLE	NOT APPLICABLE	34566-2613	9	C	BLUE	72		70			67	66			63	62			59		57				53				
						52	51					46		44		42		40	39							34	33		
						73																							
SALEABLE	NOT APPLICABLE	34566-2623	0	A	BLACK		71		69	68	67		65	64	63		61		59		57	56							
								50	49																		34	33	
						73																						19	18
SALEABLE	NOT APPLICABLE	34566-2633	0	A	BLACK		71		69	68	67		65	64			61		59		57	56							
								50	49																		34	33	
						73																						19	18

STATUS	GM PART #	HRNS CONN ASSY			TPA	GROMMET CAP																					
		MATERIAL/PART	WIRE DRESS OPTION	KEY OPTION		COLOR OPTION	NUMBERS INDICATE CAVITIES OPEN FOR CIRCUITS																				
		NUMBER		Fp		Fp	Fp																				
SALEABLE	NOT APPLICABLE	34566-2813	9	B	ST GR	72	71	70	69	68	67	66	65	64		62	61	60	59	58	57	56	55	54			
						52	51	50	49	48		46		44				40				37	36				
						73				32	31	30	29	28	27			25	24				21	20			18
SALEABLE	NOT APPLICABLE	34566-2823	0	A	BLACK						67	66															
											47					41											
						73				32	31	30	29		27		25			22	21			19	18	17	
SALEABLE	NOT APPLICABLE	34566-2833	0	B	ST GR	72	71	70	69	68	67	66	65				61	60			57	56	55	54			
						52	51	50	49	48		46		44			40				37	36					
						73				32	31	30	29	28	27			24			21	20			19	18	17
SALEABLE	NOT APPLICABLE	34566-2843	0	A	BLACK						67	66															
											47					41											
						73				32	31	30	29		27		25			22	21			19	18	17	
SALEABLE	NOT APPLICABLE	34566-2853	0	B	ST GR	72	71	70	69	68	67	66	65	64	63		61	60			57	56	55	54			
						52	51	50	49	48		46		44			40				37	36					
						73				32	31	30	29	28	27			24			21	20			19	18	17
SALEABLE	NOT APPLICABLE	34566-2863	0	A	BLACK						67	66															
											47					41											
						73				32	31	30	29		27		25			22	21			19	18	17	
SALEABLE	NOT APPLICABLE	34566-2863	0	A	BLACK	72	71	70	69	68	67	66		64	63	62		60	59			55	54	53			
						52			49	48		46		44	43	42		40	39				35	34	33		
						73				32			29	28	27			24	23			19	18	17			
SALEABLE	NOT APPLICABLE	34566-2873	0	B	ST GR						67	66															
											47																
						73				32			29	28	27			24	23			19	18	17			
SALEABLE	NOT APPLICABLE	34566-2873	0	B	ST GR	72	71	70	69	68	67	66							59	58	57	56	55		53		
						52	51	50	49	48	47								39	38	37	36	35			33	
						73													23	22	21						
SALEABLE	NOT APPLICABLE	34566-2883	0	A	BLACK			70	69						63	62	61			58	57	56	55	54	53		
						52	51		49					44	43	42	41						37	36		34	
						73				32			29	28	27	26								19	18		
SALEABLE	NOT APPLICABLE	34566-2893	0	A	BLACK				69		67		65		63			60			57	56			53		
									49		47		44	43			40				37	36	35			33	
						73					31	30	29	28				24			21	20					17
SALEABLE	NOT APPLICABLE	34566-2913	0	B	ST GR					68	67			64					58								
												46	45							38							
						73				32		30	29	28	27					22							17
SALEABLE	NOT APPLICABLE	34566-2923	0	B	ST GR					68	67			64													
												46	45														
						73				32		30	29	28	27												17
SALEABLE	NOT APPLICABLE	34566-2933	0	A	BLACK	72			69		67		65		63			60			57	56			53		
									49		47		44	43			40				37	36	35			33	
						73					31	30	29	28				24			21	20					17
SALEABLE	NOT APPLICABLE	34566-2943	0	B	ST GR					68	67			64	63				59		57						
												46	45		43					39		37					
						73				32		30	29	28	27						21						
SALEABLE	NOT APPLICABLE	34566-2953	0	B	ST GR					68	67			64	63				59								
												46	45		43					39						34	
						73				32		30	29	28	27												
SALEABLE	NOT APPLICABLE	34566-2963	0	H	ST GR		79						74	73	72	71		69	68	67			64		62	61	
							59						54	53	52			49	48	47						42	41
								38						33					29	28	27			25			
						15	14						11	10	9	8	7										

STATUS	GM PART #	HRNS CONN ASSY			TPA	GROMMET CAP																						
		MATERIAL/PART	WIRE DRESS OPTION	KEY OPTION		COLOR OPTION	NUMBERS INDICATE CAVITIES OPEN FOR CIRCUITS																					
		NUMBER		Fp		Fp	Fp																					
SALEABLE	NOT APPLICABLE	34566-2973	0	G	BLUE	80		78	77		75	74	73	72		70	69		67		65	64	63	62				
						60		58	57		55	54		52	51	50	49		47		45							
						40		38	37					33	32	31				27	26	25	24					
						20		18	17									10	9	8		6	5		3	2	1	
SALEABLE	NOT APPLICABLE	34566-9913	0	A	BLACK	72	71			68	67	66	65	64					59									
								50		48	47	46	45					40	39	38								
						73						31	30					25	24		22	21	20				17	
												14							9	7	6	5	4			2	1	
SALEABLE	NOT APPLICABLE	34566-9923	0	A	BLACK	72	71				67	66				62	61	60			57		55	54				
							51			48		46	45	44	43	42			39						35		33	
						73							15	14					26	25	24							
																			8	7	6	5	4	3	2			
SALEABLE	NOT APPLICABLE	34566-9933	0	B	ST GRAY				69				65	64	63													
									49				45	44	43													
						73																22	21	20	19	18	17	
																12	11					6	5	4	3	2	1	
SALEABLE	NOT APPLICABLE	34566-9943	0	C	BLUE		71		69				65	64			61	60		58		56	55	54				
								50	49				45	43		41							37	36	35			
						73						31	29	28				24	23						19	18	17	
										16			13	12	11				8	7					3	2	1	
SALEABLE	NOT APPLICABLE	34566-9953	0	A	BLACK					67					62		60			57		55						
							51			48		46	45	44	43				39						35			
						73							15	14					25									
																				7	6	5	4	3	2			
SALEABLE	NOT APPLICABLE	34566-9963	0	B	ST GRAY					68	67			64	63				58			55						
											46	45		43					38					35				
						73						32	30	29	28	27				22					19		17	
												15		13			10											1
SALEABLE	NOT APPLICABLE	34566-9973	0	B	ST GRAY					68	67			64	63				58									
											46	45		43					38									
						73						32	30	29	28	27				22							17	
												15		13			10											
SALEABLE	NOT APPLICABLE	34566-2983	9	A	BLACK			70	69					63	62	61			58	57	56	55	54	53				
						52	51		49				44	43	42	41						37	36		34			
						73						32		29	28	27	26									19	18	17
										16	15		13	12	11	10										3	2	1
SALEABLE	NOT APPLICABLE	34566-2993	9	B	ST GRAY	72	71	70		68	67	66				62	61	60	59	58	57	56	55	54	53			
						52	51	50		48	47	46				42	41	40	39	38	37	36	35	34	33			
						73						32	31	30	29	28	27	26	25	24								
										16	15	14	13				10	9	8									
SALEABLE	NOT APPLICABLE	34566-3013	9	C	BLUE	72	71	70	69	68	67	66			63	62			59		57	56	55		53			
						52	51					46		44		42		40	39	38					34	33		
						73						32		30				26	25		22	21			19	18		
												15	14					10	9			6	5	4	3			
SALEABLE	NOT APPLICABLE	34566-3023	0	G	BLUE		79			76					71			68		66					61			
							59			56			53					48		46			44	43	42	41		
							39			36	35	34					30	29	28						23	22	21	
							19			16	15	14	13	12	11					7				4				
SALEABLE	NOT APPLICABLE	34566-3033	0	H	ST GRAY	80		78	77	76	75					70				66	65		63					
						60		58	57	56	55					51	50			46	45	44	43					
						40	39		37	36	35	34			32	31	30		28		26		24	23	22			
						20	19	18	17	16				13	12						6	5	4	3	2	1		
SALEABLE	NOT APPLICABLE	34566-3043	0	C	BLUE	72		70		68		66			63	62			59		57				53			
						52	51			48	47	46		44		42		40	39						34	33		
						73						32		30			27	26	25		22	21	20					
												15	14	13				10	9			6	5	4				
SALEABLE	NOT APPLICABLE	34566-3053	0	C	BLUE	72		70		68		66			63	62			59		57				53			
						52	51			48	47	46		44		42		40	39	38					34	33		
						73						32		30			27	26	25		22	21	20					
												15	14	13				10	9			6	5	4				

STATUS	GM PART #	HRNS CONN ASSY			TPA	GROMMET CAP																			
		MATERIAL/PART	WIRE DRESS OPTION	KEY OPTION Fp	COLOR OPTION Fp	NUMBERS INDICATE CAVITIES OPEN FOR CIRCUITS																			
		NUMBER				Fp																			
SALEABLE	NOT APPLICABLE	34566-3063	0	A	BLACK	71	69				65	64	63			60		58	57	56	55	54	53		
						52	51	49			45	44	43	42	41				37	36	35	34	33		
						73			32	30		28		26									19	18	
SALEABLE	NOT APPLICABLE	34566-3073	0	A	BLACK	71	69				65	64	63			60		57	56	55	54	53			
						52	51	49			45	44	43	42	41				37	36	35	34	33		
						73			32	30		28		26		23						19	18		
SALEABLE	NOT APPLICABLE	34566-3083	0	A	BLACK	71	69				65	64	63			60		58	57	56	55	54	53		
						52	51	49			45	44	43	42	41				37	36	35	34	33		
						73			32	30		28		26		8	7	6				3			
SALEABLE	NOT APPLICABLE	34566-3093	0	A	BLACK	71	69				65	64	63			60		57	56	55	54	53			
						52	51	49			45	44	43	42	41				37	36	35	34	33		
						73			32	30		28		26		23						19	18		
SALEABLE	NOT APPLICABLE	34566-3113	0	A	BLACK	71	69				65	64	63			60		57	56	55	54	53			
						52	51	49			45	44	43	42	41				37	36	35	34	33		
						73			32	30		28		26		23						19	18		
SALEABLE	NOT APPLICABLE	34566-3123	0	B	ST GRV	72	70		68		66				60	59				55	54	53			
						52	50		48		46				40	39					35	34	33		
						73			32	31	30	29	28	27	26	25	24								
SALEABLE	NOT APPLICABLE	34566-3133	0	C	BLUE	72	70		68	67	66			63	62		59		57				53		
						52	51		48	47	46		44		42		40	39						34	33
						73			32		30			26	25			22	21	20					
SALEABLE	NOT APPLICABLE	34566-3143	0	C	BLUE	72	70				66			63	62		59		57				53		
						52	51				46		44		42		40	39						34	33
						73			32		30			26	25			22	21						
SALEABLE	NOT APPLICABLE	34566-3153	0	A	BLACK	70	69						63				58		56		54				
						52	51	49		47		44	43	42	41					36		34			
						73			32				28		26							19	18		
SALEABLE	NOT APPLICABLE	34566-3163	0	C	BLUE	72	70						63	62		59		57	56	55		53			
						52	51				46		44		42		40	39					34	33	
						73			32		30			26	25			22	21			19	18		
SALEABLE	NOT APPLICABLE	34566-3173	0	A	BLACK	70	69						63				58		56		54				
						52	51	49		47		44	43	42	41					36		34			
						73			32				28		26							19	18	17	
SALEABLE	NOT APPLICABLE	34566-3183	0	C	BLUE	72	70				66			63	62		59		57	56	55		53		
						52	51				46		44		42		40	39					34	33	
						73					30			26	25			22	21						
SALEABLE	NOT APPLICABLE	34566-3193	0	A	BLACK	70	69						63				58		56	55	54	53			
						52	51	49				44	43	42	41					36	35	34	33		
						73			32				28		26							19	18	17	
SALEABLE	NOT APPLICABLE	34566-3213	0	C	BLUE	72	70			67	66			63	62		59		56				53		
						52	51				46		44		42		40						34	33	
						73			32		30			26	25			22	21						
SALEABLE	NOT APPLICABLE	34566-3223	0	C	BLUE	72	70			67	66			63	62		59		57				53		
						52	51				46		44		42		40	39					34	33	
						73			32		30			27	26	25			22	21					

STATUS	GM PART #	HRNS CONN ASSY				TPA	GROMMET CAP																						
		MATERIAL/PART	WIRE DRESS OPTION	KEY OPTION Fp	COLOR OPTION Fp	NUMBERS INDICATE CAVITIES OPEN FOR CIRCUITS																							
		NUMBER				Fp																							
SALEABLE	NOT APPLICABLE	34566-3233	0	A	BLACK			70	69						63	62	61				58	57	56	55	54	53			
						52	51		49					44	43	42	41							37	36		34		
						73				32			29	28	27	26												19	18
SALEABLE	NOT APPLICABLE	34566-3243	0	C	BLUE			70							63	62				59		57				53			
						52	51						46		44		42		40	39							34	33	
						73				32		30				26	25			22	21								
SALEABLE	NOT APPLICABLE	34566-3253	0	A	BLACK			70	69						63						58		56	55	54	53			
						52	51		49					44	43	42	41									36		34	
						73				32				28		26												19	18
SALEABLE	NOT APPLICABLE	34566-3263	0	C	BLUE			70							63	62				59		57	56	55		53			
						52	51						46		44		42		40	39							34	33	
						73				32		30				26	25			22	21						19	18	
SALEABLE	NOT APPLICABLE	34566-3273	0	A	BLACK			70	69						63						58		56	55	54	53			
						52	51		49					44	43	42	41									36		34	
						73				32				28		26												19	18
SALEABLE	NOT APPLICABLE	34566-3283	0	C	BLUE			70							63	62				59		57				53			
						52	51						46		44		42		40	39							34	33	
						73				32		30				26	25			22	21								
SALEABLE	NOT APPLICABLE	34566-3293	0	B	ST GRAY		71	70		68	67	66				62	61	60	59	58	57	56	55	54	53				
						52	51	50		48	47					42	41	40	39	38	37	36	35	34	33				
						73				32	31	30	29	28	27	26	25	24	23										
SALEABLE	NOT APPLICABLE	34566-3313	0	C	BLUE			70							63	62				59		57				53			
						52	51						46		44		42		40	39							34	33	
						73				32		30				26	25			22	21								
SALEABLE	NOT APPLICABLE	34566-3323	0	B	ST GRAY					68	67	66	65	64	63						58			55					
									49	48		46	45	44	43							38							
						73				32		30	29	28	27					22									17
SALEABLE	NOT APPLICABLE	34566-3333	0	A	BLACK		71	70	69	68			65	64	63			61		59	58	57	56		54				
						52	51	50	49		47					42	41			38	37	36			34	33			
						73				32	31	30	29	28	27	26		24	23					20	19	18	17		
SALEABLE	NOT APPLICABLE	34566-3343	0	A	BLACK				69		67	66	65		63			60				57	56			53			
									49		47			44	43	42		40				37	36	35			33		
						73				32	31	30	29	28		26		24					21	20				17	
SALEABLE	NOT APPLICABLE	34566-3353	0	B	ST GRAY					68	67			64					59	58					54				
											46	45						39	38										
						73				32		30	29	28	27				23	22									17
SALEABLE	NOT APPLICABLE	34566-3363	0	A	BLACK		71		69	68			65	64	63			61		59		57	56		54				
						52		50	49		47					42	41	40	39	38	37	36			34	33			
						73				32	31	30	29	28	27	26		24	23	22				20	19	18			1
SALEABLE	NOT APPLICABLE	34566-3373	9	C	BLUE			70		68	67	66			63	62				59		57	56	55		53			
						52	51			48	47	46		44		42		40	39	38						34	33		
						73				32		30				26	25			22	21					19	18		
SALEABLE	NOT APPLICABLE	34566-3383	0	A	BLACK			70	69	68			65	64	63			61		59	58	57	56		54				
						52		50	49	48	47					42	41			38	37	36			34	33			
						73				32	31	30	29	28	27	26		24	23					20	19	18			1

STATUS	GM PART #	HRNS CONN ASSY			TPA	GROMMET CAP																					
		MATERIAL/PART	WIRE DRESS OPTION	KEY OPTION		COLOR OPTION	NUMBERS INDICATE CAVITIES OPEN FOR CIRCUITS																				
		NUMBER		Fp		Fp	Fp																				
SALEABLE	NOT APPLICABLE	34566-3393	0	C	BLUE	72		70		68	67	66			63	62			59		57				53		
						52	51			48	47	46		44		42		40	39		22	21				34	33
						73					15	14				26	25			10	9		6	5	4		
SALEABLE	NOT APPLICABLE	34566-3413	0	A	BLACK	72		70			67	66	65				61			58	57		55	54			
								50	49		47		45	44	43	42	41		39		37		35				
						73				32		30			27	26	25	24			21	20	19	18	17		
SALEABLE	NOT APPLICABLE	34566-3423	9	C	BLUE				69						63				58		56	55	54	53			
						52	51		49					44	43	42	41					36	35	34	33		
						73				32					28		26						19	18	17		
SALEABLE	NOT APPLICABLE	34566-3433	9	C	BLUE										63	62			59		57	56	55	54			
						52	51							44	43	42	41					36	35	34	33		
						73				32					28		26						19	18	17		
SALEABLE	NOT APPLICABLE	34566-3443	0	A	BLACK		71		69				65	64	63			60		57	56	55	54	53			
						52	51		49				45	44	43	42	41				37	36	35	34	33		
						73				32		30			28		26			23			19	18			
SALEABLE	NOT APPLICABLE	34566-3453	0	A	BLACK																						
						73																20					
																		9					5				
SALEABLE	NOT APPLICABLE	34566-3463	9	H	ST GR Y																						
						73																					61
						20												9				5					
SALEABLE	NOT APPLICABLE	34566-3473	9	B	ST GR Y	72	71	70	69	68	67	66	65	64		62	61	60	59	58	57	56	55	54			
						52	51	50	49			46		44				40		38	37	36					
						73				32	31	30	29	28	27		25	24			21	20		18	17		
SALEABLE	NOT APPLICABLE	34566-3483	0	B	ST GR Y																						
						73				16	15	14	13	12		10	9		7	6	5	4	3	2			
						72	71	70	69	68	67	66	65				61	60			57	56	55	54			
SALEABLE	NOT APPLICABLE	34566-3493	0	A	BLACK	52	51	50	49	48	47	46	45	44	43	42	41		39		37		35				
						73				32		30			27	26	25	24			21	20	19	18	17		
										16	15		13		11	10	9	8		6	5	4	3	2			
SALEABLE	NOT APPLICABLE	34566-3513	0	A	BLACK			70	69						63	62	61	60		58	57	56	55	54	53		
						52	51		49					44	43	42	41					37	36		34		
						73				32			29	28	27	26								19	18		
SALEABLE	NOT APPLICABLE	34566-3523	0	A	BLACK																						
						73				16	15			12		10	9			5						2	1
						72		70					66				63	62			59		57	56	55	54	
SALEABLE	NOT APPLICABLE	34566-3533	9	A	BLACK	52	51		49					44	43	42	41					36	35	34	33		
						73				32				28		26							19	18	17		
										16				12		10							3	2	1		
SALEABLE	NOT APPLICABLE	34566-3543	9	A	BLACK																						
						73					31			28		26				21	20	19	18				
						72		70					66				63	62			59		57	56	55	54	53
SALEABLE	NOT APPLICABLE	34566-3553	9	C	BLUE	52	51	50	49	48	47	46	45	44	43	42	41	40	39	38		36	35	34	33		
						73					31	30	29	28	27	26	25		22	21			20	19	18	17	
										16	15	14			11	10	9		7	6	5				3	2	1

STATUS	GM PART #	HRNS CONN ASSY			TPA	GROMMET CAP																						
		MATERIAL/PART	WIRE DRESS OPTION	KEY OPTION		COLOR OPTION	NUMBERS INDICATE CAVITIES OPEN FOR CIRCUITS																					
		NUMBER		Fp		Fp	Fp																					
SALEABLE	NOT APPLICABLE	34566-3563	9	C	BLUE	72		70		68	67	66			63	62			59		57				53			
						52	51			48	47	46		44		42		40	39	38					34	33		
						73						30			27	26	25			22	21							
SALEABLE	NOT APPLICABLE	34566-3573	9	C	BLUE			70	69	68					63	62	61			58	57	56	55	54	53			
						52	51	50	49	48	47			44	43	42	41						37	36		34		
						73						32		29	28	27	26										19	18
SALEABLE	NOT APPLICABLE	34566-3583	9	A	BLACK			70	69						63	62	61			58	57	56	55	54	53			
						52	51	50	49					44	43	42	41						37	36		34		
						73						32		29	28	27	26										19	18
SALEABLE	NOT APPLICABLE	34566-3593	0	A	BLACK		71		69					64	63			60		58	57	56	55	54	53			
						52	51		49				45	44	43	42	41						37	36	35	34	33	
						73						32		30		28		26									19	18
SALEABLE	NOT APPLICABLE	34566-3613	0	B	ST GRAY					68	67			64	63				59									
												46	45		43													
						73						32		30	29	28	27											
SALEABLE	NOT APPLICABLE	34566-3623	0	A	BLACK										63	62	61	60	59	58	57	56	55	54	53			
						52	51		49				44	43	42	41							37	36		34		
						73						32		29	28	27	26										19	18
SALEABLE	NOT APPLICABLE	34566-3633	0	C	BLUE										63	62			59		57				53			
						52	51			48	47	46		44				40	39	38	37	36				34	33	
						73						32		30			26	25	24	23	22	21						
SALEABLE	NOT APPLICABLE	34566-3643	0	B	ST GRAY					68	67	66		64	63				59									
						52	51	50		48	47	46														34	33	
						73						32	31	30	29	28	27	26	25	24								17
SALEABLE	NOT APPLICABLE	34566-3653	0	B	ST GRAY		71	70	69	68		66	65	64	63			59							53			
						52	51	50	49	48	47	46	45	44	43											34	33	
						73						32		30	29	28	27	26	25	24								17
SALEABLE	NOT APPLICABLE	34566-3663	0	A	BLACK										63	62	61	60	59	58	57	56	55	54	53			
						52	51		49					44	43	42	41							37	36		34	
						73						32		29	28	27	26										19	18
SALEABLE	NOT APPLICABLE	34566-3673	9	C	BLUE		71	70	69	68	67		65		63	62	61		59	58	57	56	55	54	53			
							51	50	49	48			45	44	43	42	41	40	39	38			36	35	34		33	
						73						32	31	30	29	28	27	26			9		7	6	5		3	2
SALEABLE	NOT APPLICABLE	34566-3683	9	H	ST GRAY																				61			
						20						15							9					5				1
SALEABLE	NOT APPLICABLE	34566-3693	0	C	BLUE	72		70		68	67	66			63	62			59		57				53			
						52	51			48	47	46		44		42		40	39	38						34	33	
						73						32		30			27	26	25			22	21					
SALEABLE	NOT APPLICABLE	34566-3713	0	C	BLUE										63	62			59		57				53			
						52	51			48	47	46		44		42		40	39							34	33	
						73						32		30			27	26	25			22	21					
SALEABLE	NOT APPLICABLE	34566-3723	0	A	BLACK										63	62	61			58	57	56	55	54	53			
						52	51	50	49					44	43	42	41						37	36		34		
						73						32		29	28	27	26										19	18

STATUS	GM PART #	HRNS CONN ASSY			TPA	GROMMET CAP																						
		MATERIAL/PART	WIRE DRESS OPTION	KEY OPTION		COLOR OPTION	NUMBERS INDICATE CAVITIES OPEN FOR CIRCUITS																					
		NUMBER		Fp		Fp	Fp																					
SALEABLE	NOT APPLICABLE	34566-3733	0	B	ST GRY	72	71	70		68	67	66				62	61	60	59	58	57	56	55	54	53			
						52	51	50		48	47	46				42	41	40	39	38	37	36	35	34	33			
						73				32	31	30	29	28	27	26	25	24	23									
SALEABLE	NOT APPLICABLE	34566-3743	0	C	BLUE	72		70		68		66			63	62			59		57				53			
						52	51			48	47	46		44		42		40	39	38						34	33	
						73				32		30			27	26	25			22	21							
SALEABLE	NOT APPLICABLE	34566-3753	0	C	BLUE	72		70		68		66			63	62			59		57				53			
						52	51			48	47	46		44		42		40	39	38						34	33	
						73				32		30			27	26	25			22	21							
SALEABLE	NOT APPLICABLE	34566-3763	0	C	BLUE	72		70		68		66			63	62			59		57	56	55		53			
						52	51			48	47	46		44		42		40	39							34	33	
						73				32		30			27	26	25			22	21							
SALEABLE	NOT APPLICABLE	34566-3773	0	A	BLACK			70	69						63					58		56	55	54	53			
						52	51	50	49					44	43	42	41		39						36		34	
						73				32					28		26										19	18
SALEABLE	NOT APPLICABLE	34566-3783	0	A	BLACK			70	69						63					58		56	55	54	53			
						52	51	50	49					44	43	42	41		39						36		34	
						73				32					28		26										19	18
SALEABLE	NOT APPLICABLE	34566-3793	0	A	BLACK		71	70							64	63			60		58	57	56	55	54	53		
						52	51		49					45	44	43	42	41							37	36		34
						73				32		30			28		26			23							19	18
SALEABLE	NOT APPLICABLE	34566-3813	0	C	BLUE	72		70		68		66			63	62			59		57				53			
						52	51			48	47	46		44		42		40	39	38	37	36				34	33	
						73				32		30				26	25	24		22	21	20						
SALEABLE	NOT APPLICABLE	34566-3823	0	A	BLACK			70	69						63		61			58	57	56	55	54	53			
						52	51		49					44	43	42	41								37	36		34
						73				32					27	26											19	18
SALEABLE	NOT APPLICABLE	34566-3833	0	A	BLACK			70	69						63	62	61				57	56	55	54	53			
						52	51		49					44	43	42	41								37	36		34
						73				32			29	28	27	26			23								19	18
SALEABLE	NOT APPLICABLE	34566-3843	0	A	BLACK	72	71	70	69	68	67	66			64	63	62		60	59				55	54	53		
						52			49	48				44	43	42	41	40	39							35	34	33
						73				32			29	28	27		25	24	23								19	18
SALEABLE	NOT APPLICABLE	34566-3853	0	A	BLACK			70	69	68	67	66	65	64	63	62		60	59				55	54	53			
						52			49	48			45	44	43	42	41	40	39							35	34	33
						73				32			29	28	27		25	24	23								19	18
SALEABLE	NOT APPLICABLE	34566-3863	0	B	ST GRY	72	71	70	69	68	67	66					62	61	60	59	58	57	56	55	54	53		
						52	51	50		48	47	46				42	41	40	39	38	37	36	35	34	33			
						73				32	31	30	29	28	27	26	25	24	23									2
SALEABLE	NOT APPLICABLE	34566-3873	0	B	ST GRY										63				59	58	57	56	55					
								50	49	48		46	45		43					39	38	37	36	35	34			
						73							29		27					23	22	21					18	
SALEABLE	NOT APPLICABLE	34566-3883	0	B	ST GRY					67	66							59	58	57	56	55		53				
								50	49	48			45						39	38	37	36	35	34	33			
						73							29						23	22	21						18	

STATUS	GM PART #	HRNS CONN ASSY			TPA	GROMMET CAP																							
		MATERIAL/PART	WIRE DRESS OPTION	KEY OPTION		COLOR OPTION	NUMBERS INDICATE CAVITIES OPEN FOR CIRCUITS																						
		NUMBER		Fp		Fp	Fp																						
SALEABLE	NOT APPLICABLE	34566-3893	0	C	BLUE	72		70		68	67	66			63	62			59		57				53				
						52	51			48	47	46		44		42						22	21				34	33	
						73						32		30			27	26	25				6	5	4				
SALEABLE	NOT APPLICABLE	34566-3913	0	A	BLACK		71	70	69					64	63			60		58	57	56	55	54	53				
						52	51		49					45	44	43	42	41					37	36			34		
						73						32		30		28		26			23		21		19	18			
SALEABLE	NOT APPLICABLE	34566-3923	0	B	ST GRY	72		70		68		66						60	59					55	54	53			
						52		50		48		46							40	39						35	34	33	
						73						32	31	30	29	28	27	26	25	24	23						19	18	
SALEABLE	NOT APPLICABLE	34566-3933	0	A	BLACK		71	70	69					64	63			60		58	57	56	55	54	53				
						52	51		49					45	44	43	42	41							37	36		34	
						73						32		30		28		26								19	18		
SALEABLE	NOT APPLICABLE	34566-3943	0	C	BLUE	72		70		68		66						60	59					55	54	53			
						52		50		48		46							40	39						35	34	33	
						73						32	31	30	29	28	27	26	25	24									
SALEABLE	NOT APPLICABLE	34566-3953	0	C	BLUE	72		70		68								60	59					55	54	53			
						52	51			48	47	46		44		42		40	39								34	33	
						73						32		30				26	25		23	22	21	20					
SALEABLE	NOT APPLICABLE	34566-3963	0	C	BLUE	72		70		68	67	66			63	62			59		57				53				
						52	51			48	47	46		44		42		40	39	38						34	33		
						73						32	31	30	29	28	27	26	25	24									
SALEABLE	NOT APPLICABLE	34566-3973	0	C	BLUE	72		70		68	67							59		57				53					
						52	51			48	47	46		44		42		40	39	38						34	33		
						73						32		30				26	25		22	21							
SALEABLE	NOT APPLICABLE	34566-3983	0	A	BLACK		71	70	69					64	63			60	59	58	57	56	55	54	53				
						52	51		49					45	44	43	42	41	40					37	36		34		
						73						32		30		28		26								19	18		
SALEABLE	NOT APPLICABLE	34566-3993	0	A	BLACK			70	69										58	57	56	55	54	53					
						52	51		49					44	43	42	41	40						37	36		34		
						73						32			29	28	27	26								19	18		
SALEABLE	NOT APPLICABLE	34566-4013	0	B	ST GRY	72		70		68		66						60	59					55	54	53			
						52		50		48		46							40	39						35	34	33	
						73						32	31	30	29	28	27	26	25	24								2	1
SALEABLE	NOT APPLICABLE	34566-4023	0	B	ST GRY	72	71	70		68	67	66					62	61	60	59	58	57	56	55	54	53			
						52	51	50		48	47	46					42	41	40	39	38	37	36	35	34	33			
						73						32	31	30	29	28	27	26	25	24									
SALEABLE	NOT APPLICABLE	34566-4033	0	C	BLUE	72		70		68								59	58	57				53					
						52	51			48	47			44		42		40	39	38						34	33		
						73						32		30				26	25		22	21	20					1	
SALEABLE	NOT APPLICABLE	34566-4043	0	A	BLACK		71	70	69		67			64	63			60				57	56	55	54	53			
						52	51		49					45	44	43	42	41						37	36		34		
						73						32		30		28		26			23					19	18		
SALEABLE	NOT APPLICABLE	34566-4053	0	A	BLACK	72			69		67	66	65		63				60				57	56		53			
									49			47	46		44	43	42		40					37	36	35		33	
						73						32	31	30	29	28	27	26		24						21	20		17
						16	15	14	13			11	10							5	4	3	2	1					

STATUS	GM PART #	HRNS CONN ASSY			TPA	GROMMET CAP																						
		MATERIAL/PART	WIRE DRESS OPTION	KEY OPTION Fp		COLOR OPTION Fp	NUMBERS INDICATE CAVITIES OPEN FOR CIRCUITS																					
		NUMBER					Fp																					
SALEABLE	NOT APPLICABLE	34566-4393	0	G	BLUE			78	77		75	74		72		70	69		67		65	64	63	62				
						60		58	57		55	54		52	51	50	49		47		45							
						40		38	37						33	32	31			27	26	25	24					
						20		18	17									10	9	8		6	5		3	2	1	
SALEABLE	NOT APPLICABLE	34566-4413	0	B	ST GRAY									63				59	58	57	56	55		53				
								50	49	48		46			43				39	38	37	36	35	34	33			
						73						29		27					23	22	21					18		
										16	15	14								7	6	5	4	3				
SALEABLE	NOT APPLICABLE	34566-4423	9	C	BLUE	72		70		68	67	66		63	62		59		57					53				
						52	51			48	47	46		44	42		40	39	38	37	36				34	33		
						73						32		30			27	26	25	24	22	21						
											15	14					10	9	8		6	5	4			2		
SALEABLE	NOT APPLICABLE	34566-4433	9	A	BLACK			70	69					63	62	61	60		58	57	56	55	54	53				
						52	51	50	49					44	43	42	41	40						37	36	34		
						73						32			29	28	27	26								19	18	
										16	15	14	13	12	11	10										3		
SALEABLE	NOT APPLICABLE	34566-4443	9	A	BLACK					67	66																	
										48	47					41												
						73						32	31	30	29		27	26	25			22	21			19	18	17
										16	15	14	13		11	10	9	8	7	6	5	4	3				1	
SALEABLE	NOT APPLICABLE	34566-4453	0	A	BLACK	72	71	70	69	68			65	64	63	62	61	60	59	58	57	56	55	54	53			
						52	51	50	49	48		46	45	44	43	42		40	39	38	37	36	35	34	33			
						73									28				24	23						20		
															12	11											2	1
SALEABLE	NOT APPLICABLE	34566-4463	9	B	ST GRAY									63										53				
										48	47		45		43	42			39						35	34	33	
						73										11				23	22					19		
																												1
SALEABLE	NOT APPLICABLE	34566-4473	0	B	ST GRAY								64	63	62			59	58					53				
											47		45		43	42			39						35	34	33	
						73										26	25		23	22								
																											3	1
SALEABLE	NOT APPLICABLE	34566-4483	9	C	BLUE	72		70		68	67	66		63	62		59	58	57	56	55			53				
						52	51		49	48	47	46		44			40	39	38	37	36				34	33		
						73						32		30			27	26	25	24	23	22	21	20	19	18	17	
											15	14	13			10	9	8	7	6	5	4	3	2	1			
SALEABLE	NOT APPLICABLE	34566-4493	9	A	BLACK	72	71	70	69		67			64	63	62	61	60	59	58	57	56	55	54	53			
						52	51	50	49	48	47		45	44	43	42	41	40	39		37	36			34			
						73						32		30	29	28	27	26		24	23		21		19	18	17	
										16	15	14	13	12	11	10		8				5		3	2	1		
SALEABLE	NOT APPLICABLE	34566-4513	9	B	ST GRAY	72	71	70		68	67	66			62	61	60	59	58	57	56	55	54	53				
						52	51	50		48	47	46			42	41	40	39	38	37	36	35	34	33				
						73						32	31	30	29	28	27	26	25	24	23				19	18	17	
										16	15	14	13			10		8	7						3	2	1	
SALEABLE	NOT APPLICABLE	34566-4523	0	G	BLUE			78	77		75	74		72		70	69		67		65	64	63	62				
						60		58	57		55	54		52	51	50	49		47		45							
						40		38	37							31				27	26	25	24					
						20		18	17									10	9	8		6	5		3	2	1	
SALEABLE	NOT APPLICABLE	34566-4533	0	A	BLACK																							
										47				44	43			40							37	36	35	33
						73						32	31	30	29	28	27	26		24			21	20			17	
										16	15	14	13		11	10							5	4	3	2	1	
SALEABLE	NOT APPLICABLE	34566-4543	0	B	ST GRAY					68	67			64	63			58	57			55		53				
											46	45		43					38	37			35					
						73						32		30	29	28	27			22	21			19				17
															12		10											1
SALEABLE	NOT APPLICABLE	34566-4553	0	B	ST GRAY					68	67			64	63			58	57					53				
											46	45		43					38	37								
						73						32		30	29	28	27			22	21							17
															12		10											

STATUS	GM PART #	HRNS CONN ASSY			TPA	GROMMET CAP																					
		MATERIAL/PART	WIRE DRESS OPTION	KEY OPTION	COLOR OPTION	NUMBERS INDICATE CAVITIES OPEN FOR CIRCUITS																					
		NUMBER		▽ Fp	▽ Fp	▽ Fp																					
SALEABLE	NOT APPLICABLE	34566-4733	0	A	BLACK	72	71	70	69					64	63			60	59	58		56	55	54	53		
						52	51		49		47		45	44	43	42	41					21	36		19	18	
						73				32		30		28		26				8			5		3		
SALEABLE	NOT APPLICABLE	34566-4743	9	A	BLACK	72	71	70	69		67		65	64	63	62	61	60	59	58	57	56	55	54	53		
						52	51	50	49	48	47		45	44	43	42	41	40	39		37	36		34			
						73				32		30	29	28	27	26		24	23		21			19	18	17	
SALEABLE	NOT APPLICABLE	34566-4753	0	B	ST GRAY					68	67			64					58								
						73				32		30	29	28	27					6							17
											15		13			10											
SALEABLE	NOT APPLICABLE	34566-4763	0	B	ST GRAY					68	67			64													
						73				32		30	29	28	27												17
											15		13			10											
SALEABLE	NOT APPLICABLE	34566-4773	0	B	ST GRAY					68	67			64				59	58					54			
						73				32		30	29	28	27				39	38							17
											15		13			10		8		6							
SALEABLE	NOT APPLICABLE	34566-4783	0	B	ST GRAY					68	67			64	63				58					54			
						73				32		30	29	28	27					38					35		
											15		13			10				22						19	
SALEABLE	NOT APPLICABLE	34566-4793	0	B	ST GRAY					68	67			64	63				58								
						73				32		30	29	28	27					38							17
											15		13			10				6							
SALEABLE	NOT APPLICABLE	34566-4813	9	B	ST GRAY					68	67			64				59	58					54			
						73				32		30	29	28	27				39	38							17
											15		13			10	9	8		6							
SALEABLE	NOT APPLICABLE	34566-4823	0	C	BLUE					68	67	66	65	64				59	58	57		55	54	53			
							51	50	49	48		46	45		43	42	41	40	39	38	37		35			33	
						73				32	31	30			26		24	23	22		20						
SALEABLE	NOT APPLICABLE	34566-4833	0	C	BLUE				70	68	67	66			63	62			59		57				53		
						52	51			48	47	46		44		42		40	39		37	36				34	33
						73				32		30			27	26	25	24		22	21						
SALEABLE	NOT APPLICABLE	34566-4843	0	C	BLUE				70	68	67	66			63	62			59		57				53		
						52	51			48	47	46		44		42		40	39	38	37	36				34	33
						73				32		30			27	26	25	24		22	21						
SALEABLE	NOT APPLICABLE	34566-4853	0	C	BLUE				70	68		66			63	62			59		57	56	55		53		
						52	51			48	47	46		44		42		40	39		37	36				34	33
						73				32		30			27	26	25	24		22	21				19	18	
SALEABLE	NOT APPLICABLE	34566-4863	0	C	BLUE				70	68		66			63	62			59		57				53		
						52	51			48	47	46		44		42		40	39	38	37	36				34	33
						73				32		30			27	26	25	24		22	21						
SALEABLE	NOT APPLICABLE	34566-4873	0	C	BLUE				70	68		66			63	62			59		57	56	55		53		
						52	51			48	47	46		44		42		40	39		37	36				34	33
						73				32		30			27	26	25	24		22	21						
SALEABLE	NOT APPLICABLE	34566-4883	9	A	BLACK	72			69		67		65	63			60			57	56				53		
									49		47	46		44	43			40			37	36	35				33
						73				31	30	29	28			24					21	20					
					16	15	14	13			11	10						5	4	3	2		1				

STATUS	GM PART #	HRNS CONN ASSY			TPA	GROMMET CAP																							
		MATERIAL/PART	WIRE DRESS OPTION	KEY OPTION Fp	COLOR OPTION Fp	NUMBERS INDICATE CAVITIES OPEN FOR CIRCUITS																							
		NUMBER				Fp																							
SALEABLE	NOT APPLICABLE	34566-4893	9	B	ST GR Y					68	67			64	63					58			55						
												32		30	29	28	27							22			19		17
						73					15			13				10											1
SALEABLE	NOT APPLICABLE	34566-4913	9	B	ST GR Y					68	67			64	63					58	57		55		53				
												32		30	29	28	27							22	21		19		17
						73										12		10											1
SALEABLE	NOT APPLICABLE	34566-4923	9	A	BLACK	72			69		67		65		63		60				57	56			53				
									49		47		44	43		40						37	36		35		33		
						73					31	30	29	28	27				24				21	20				17	
SALEABLE	NOT APPLICABLE	34566-4933	0	C	BLUE	72			70		68	67	66		63	62			59			57			53				
						52	51				48	47	46		44				40	39			37	36		35	34	33	
						73					32		30				27	26	25	24			22	21					
SALEABLE	NOT APPLICABLE	34566-4943	0	A	BLACK				70	69	68	67			63	62	61	60	59	58	57	56	55	54	53				
						52	51	50	49					44	43	42	41		39	38	37	36				34			
						73					32						27	26	25	24	23						19	18	
SALEABLE	NOT APPLICABLE	34566-4953	0	B	ST GR Y	72	71	70	69	68	67	66	65	64	63			59								53			
						52	51	50	49	48	47	46	45	44	43				39								34	33	
						73					32	31	30	29	28	27	26	25	24	23								19	18
SALEABLE	NOT APPLICABLE	34566-4963	9	A	BLACK	72			69		67	66	65		63		60				57	56			53				
									49		47	46		44	43	42	40					37	36		35		33		
						73					31	30	29	28	27	26		24				21	20					19	17
SALEABLE	NOT APPLICABLE	34566-4973	9	B	ST GR Y					68	67			64				59	58						54				
												46	45	44	43			39	38										
						73					32		30	29	28	27				23	22								17
SALEABLE	NOT APPLICABLE	34566-4983	0	B	ST GR Y																								
												46	45	44	43			39	38								55	54	53
						73					32	31	30	29	28	27	26	25	24	23								19	18
SALEABLE	NOT APPLICABLE	34566-4993	0	A	BLACK	72	71	70	69	68	67			64	63			60	59			56	55	54	53				
						52	51		49		47		45	44	43	42	41						36				34		
						73					32		30		28		26										19	18	
SALEABLE	NOT APPLICABLE	34566-5013	9	B	ST GR Y					68	67			64	63			59	58						54				
												46	45	44	43			39	38								35		
						73					32		30	29	28	27			23	22								19	
SALEABLE	NOT APPLICABLE	34566-5023	0	C	BLUE	72			70		68	67			63	62			59			57			53				
						52	51				48	47	46		44		42	40	39			37	36			34	33		
						73					32		30				26	25	24			22	21	20					
SALEABLE	NOT APPLICABLE	34566-5033	0	A	BLACK				70	69					63	62	61	60		58	57	56	55	54	53				
						52	51		49					44	43	42	41					37	36		35	34	33		
						73					32			29	28	27	26	25									19	18	
SALEABLE	NOT APPLICABLE	34566-5043	0	A	BLACK																								
						73					31																		
SALEABLE	NOT APPLICABLE	34566-5053	0	B	ST GR Y																								
												47																	
						73					31													20				17	1

STATUS	GM PART #	HRNS CONN ASSY			TPA	GROMMET CAP																					
		MATERIAL/PART	WIRE DRESS OPTION	KEY OPTION Fp		COLOR OPTION Fp	NUMBERS INDICATE CAVITIES OPEN FOR CIRCUITS																				
		NUMBER					Fp																				
SALEABLE	NOT APPLICABLE	34566-5063	9	H	ST GRY	80	79	78	77	76	75	74	73	72	71	70	69	68	67	66	65	64	63	62	61		
						60	59	58	57	56	55	54	53	52	51	50	49	48	47	46	45	44	43	42	41	40	
						40	39	38	37		35	34	33	32		30	29		27	26		24	23	22	21	20	19
SALEABLE	NOT APPLICABLE	34566-5073	9	A	BLACK	72	71	70	69	68	67	66	65	64	63	62	61	60	59	58	57	56	55	54	53		
						52	51	50	49	48	47	46	45	44	43	42	41	40	39	38	37	36		34	33		
						73				32	31	30	29	28	27	26		24	23	22	21	20	19	18			1
SALEABLE	NOT APPLICABLE	34566-5083	9	A	BLACK			70	69						63	62	61	60		58	57	56	55	54	53		
						52	51		49					44	43	42	41			38	37				34		
						73				32			29	28	27	26			23						19	18	
SALEABLE	NOT APPLICABLE	34566-5093	0	B	ST GRY	72	71	70	69	68	67	66	65	64	63	62	61	60	59	58	57	56	55	54	53		
						52	51	50	49	48	47	46	45	44	43	42	41	40	39	38	37	36	35	34	33		
						73							29		27				23	22	21				18		
SALEABLE	NOT APPLICABLE	34566-5113	0	A	BLACK	72	71	70	69	68	67	66		64	63	62		60	59				55	54	53		
						52			49	48				44	43	42	41	40	39						35	34	33
						73				32			29		27			25	24	23						19	18
SALEABLE	NOT APPLICABLE	34566-5123	9	C	BLUE	72		70		68	67	66			63	62			59		57				53		
						52	51			48	47	46	45	44				40	39	38	37	36			34	33	
						73				32		30			27	26	25	24		22	21	20					
SALEABLE	NOT APPLICABLE	34566-5133	9	B	ST GRY	72	71	70		68	67	66				62	61	60	59	58	57	56	55	54	53		
						52	51	50		48	47	46				42	41	40	39	38	37	36	35	34	33		
						73				32	31	30	29	28	27	26	25	24	23								
SALEABLE	NOT APPLICABLE	34566-5143	0	C	BLUE	72		70		68	67	66			63	62			59		57				53		
						52	51			48	47	46		44		42		40	39			37	36		34	33	
						73				32		30				26	25	24		22	21	20					
SALEABLE	NOT APPLICABLE	34566-5153	0	A	BLACK			70	69						63	62	61	60		58	57	56	55	54	53		
						52	51		49		47			44	43	42	41					37	36	35	34	33	
						73				32			29	28	27	26	25									19	18
SALEABLE	NOT APPLICABLE	34566-5163	9	A	BLACK	72			69		67		65		63			60			57	56			53		
									49		47			44	43			40			37	36	35				33
						73					31	30	29	28				24			21	20					
SALEABLE	NOT APPLICABLE	34566-5173	9	B	ST GRY					68	67			64	63			59		57							
											46	45	44				39	38									
						73				32		30	29	28	27			10				6	5	4	3		
SALEABLE	NOT APPLICABLE	34566-5183	0	B	ST GRY					68	67			64			59	58						54			
											46	45	44				39	38									
						73				32		30	29	28	27				23	22							
SALEABLE	NOT APPLICABLE	34566-5193	0	A	BLACK			70	69						63	62	61	60		58	57	56	55	54	53		
						52	51		49					44	43	42	41					37	36		34		
						73				32			29	28	27	26										19	18
SALEABLE	NOT APPLICABLE	34566-5213	0	A	BLACK	72	71	70	69	68	67	66	65	64	63	62		60	59				55	54	53		
						52			49	48				44	43	42	41	40	39						35	34	33
						73				32			29		27		25	24	23						19	18	17
SALEABLE	NOT APPLICABLE	34566-5223	0	C	BLUE	72		70			67	66			63	62			59		57				53		
						52	51			48		46		44		42		40	39							34	33
						73				32		30			27	26	25			22	21						

STATUS	GM PART #	HRNS CONN ASSY				TPA	GROMMET CAP																				
		MATERIAL/PART	WIRE DRESS OPTION	KEY OPTION	COLOR OPTION	NUMBERS INDICATE CAVITIES OPEN FOR CIRCUITS																					
		NUMBER		Fp	Fp	Fp																					
SALEABLE	NOT APPLICABLE	34566-5233	0	C	BLUE	72		70		68	67	66			63	62			59		57	56	55		53		
						52	51			48	47	46		44		42		40	39	38					34	33	
						73						32		30			26	25			22	21			19	18	
SALEABLE	NOT APPLICABLE	34566-5243	0	C	BLUE	72	71	70	69	68	67	66	65		63	62	61		59	58	57	56	55	54	53		
							51	50	49	48		46	45	44	43	42	41	40	39	38			36	35	34	33	
						73						32	31	30	29	28	27	26	25			22	21	20	19	18	17
SALEABLE	NOT APPLICABLE	34566-5253	0	B	ST GRAY					67	66			63				59	58	57	56	55		53			
								50	49	48		46	45		43				39	38	37	36	35	34	33		
						73						16	15	14						23	22	21				18	
SALEABLE	NOT APPLICABLE	34566-5263	0	B	ST GRAY	72	71	70		68	67	66			62	61	60	59	58	57	56	55	54	53			
						52	51	50		48	47	46			42	41	40	39	38	37	36	35	34	33			
						73						32	31	30	29	28	27		25	24							17
SALEABLE	NOT APPLICABLE	34566-5273	0	A	BLACK			70	69					63	62	61	60		58	57	56	55	54	53			
						52	51		49					44	43	42	41				37	36			34		
						73						32			29	28	27	26			23				19	18	
SALEABLE	NOT APPLICABLE	34566-5283	0	C	BLUE			70	69					63	62	61	60		58	57	56	55	54	53			
						52	51		49					44	43	42	41				37	36			34		
						73						32		30				26	25			22	21			19	18
SALEABLE	NOT APPLICABLE	34566-5293	0	A	BLACK			70	69					63	62	61	60		58	57	56	55	54	53			
						52	51		49					44	43	42	41	40				37	36			34	
						73						32			29	28	27	26							19	18	17
SALEABLE	NOT APPLICABLE	34566-5313	0	C	BLUE			70	69					63	62	61	60		58	57	56	55	54	53			
						52	51		49					44	43	42	41	40				37	36			34	
						73						32		30			27	26	25	24		22	21			19	18
SALEABLE	NOT APPLICABLE	34566-5323	0	G	BLUE	80		78	77		75	74	73	72		70	69		67		65	64	63	62			
								58	57		55	54		52	51	50	49		47		45						
						40		38	37					33	32	31				27	26	25	24				
SALEABLE	NOT APPLICABLE	34566-5333	0	A	BLACK	72	71	70		68	67	66	65	64	63	62		60	59			56			53		
							51		49	48	47	46	45	44	43		41	40									
						73								30	29	28		26	25	24					20		17
SALEABLE	NOT APPLICABLE	34566-5343	0	B	ST GRAY					68	67			64				59	58					54			
												46	45						39	38							
						73						32		30	29	28	27			23	22						17
SALEABLE	NOT APPLICABLE	34566-5353	9	B	ST GRAY					68	67			64	63			59	58			55	54				
												46	45	44	43				39	38			35	34			
						73						32		30	29	28	27			23	22			19		17	
SALEABLE	NOT APPLICABLE	34566-5363	0	C	BLUE	72		70		68		66			63	62			59		57			53			
						52	51			48	47	46		44		42		40	39	38					34	33	
						73						32		30				26	25			22	21				
SALEABLE	NOT APPLICABLE	34566-5373	0	C	BLUE			70		68		66			63	62			59		57			53			
						52	51			48	47	46		44		42		40	39						34	33	
						73						32		30				26	25			22	21				
SALEABLE	NOT APPLICABLE	34566-5383	0	C	BLUE	72		70		68		66			63	62			59		57			53			
						52	51			48	47	46		44		42		40	39			37	36		34	33	
						73						32		30				26	25	24		22	21				

STATUS	GM PART #	HRNS CONN ASSY			TPA	GROMMET CAP																																																									
		MATERIAL/PART	WIRE DRESS OPTION	KEY OPTION Fp	COLOR OPTION Fp	NUMBERS INDICATE CAVITIES OPEN FOR CIRCUITS																																																									
		NUMBER				<table style="width:100%; border:none;"> <tr> <td></td><td></td><td></td><td></td><td></td><td></td><td></td><td></td><td></td><td></td><td></td><td></td><td></td><td></td><td></td><td></td><td></td><td></td><td></td><td></td><td></td> </tr> <tr> <td></td><td></td><td></td><td></td><td></td><td></td><td></td><td></td><td></td><td></td><td></td><td></td><td></td><td></td><td></td><td></td><td></td><td></td><td></td><td></td><td></td><td></td> </tr> </table>																																																									
SALEABLE	NOT APPLICABLE	34566-5393	0	A	BLACK																																																										

STATUS	GM PART #	HRNS CONN ASSY			TPA	GROMMET CAP																						
		MATERIAL/PART	WIRE DRESS OPTION	KEY OPTION	COLOR OPTION	NUMBERS INDICATE CAVITIES OPEN FOR CIRCUITS																						
		NUMBER		▽ Fp	▽ Fp	▽ Fp																						
SALEABLE	NOT APPLICABLE	34566-5563	0	A	BLACK	72	71	70	69					64	63			60	59	58	57	56	55	54	53			
						52	51		49	48	47		45	44	43	42	41						37	36		34	33	
						73				32		30		28		26										19	18	17
SALEABLE	NOT APPLICABLE	34566-5573	0	C	BLUE	72		70		68		66		63	62			59	58	57	56	55			53			
						52	51		49	48	47	46		44		42		40	39	38	37	36			34	33		
						73				32		30				26	25	24	23	22	21	20	19	18	17			
SALEABLE	NOT APPLICABLE	34566-5583	0	B	ST GRY	72		70		68		66		64	63			60	59				55	54	53			
						52		50		48		46				40	39							35	34	33		
						73				32	31	30	29	28	27	26	25	24	23			20				2	1	
SALEABLE	NOT APPLICABLE	34566-5593	0	C	BLUE	72		70		68		66		63	62			59		57		55			53			
						52	51			48	47	46		44		42		40	39						34	33		
						73				32		30				26	25		23	22	21							
SALEABLE	NOT APPLICABLE	34566-5613	0	C	BLUE	72		70		68				63	62			59	58	57					53			
						52	51			48	47	46		44		42		40	39						34	33		
						73				32		30				26	25	24	23	22	21	20				2	1	
SALEABLE	NOT APPLICABLE	34566-5623	0	C	BLUE	72		70		68		66		63	62			59		57		55			53			
						52	51			48	47	46		44		42		40	39						34	33		
						73				32		30				26	25	24	23	22	21	20						
SALEABLE	NOT APPLICABLE	34566-5633	0	B	ST GRY	72				68					62	61										53		
						52				48		46		44	43		41	40							20	19	18	
						73				16	15	14													4			
SALEABLE	NOT APPLICABLE	34566-5643	0	B	ST GRY	72				68					62	61										53		
						52				48		46		43		41	40								20	19	18	
						73				16	15	14													4			
SALEABLE	NOT APPLICABLE	34566-5653	0	A	BLACK	72	71	70	69	68		66	65	64	63		61	60			57	56		54	53			
						52	51	50	49	48		46	45	44	43		41	40	39	38	37	36			34	33		
						73				32	31	30	29	28		26	25		23	22	21						2	
SALEABLE	NOT APPLICABLE	34566-5663	0	C	BLUE				69	67	66		64		62		60			57		55	54					
						52	51	50		48		46	45	44		42								37		35	34	33
						73				32	31			28	27	26										19	18	
SALEABLE	NOT APPLICABLE	34566-5673	0	C	BLUE				69	67	66		64		61	60			57		54							
						52	51	50	49	48		46	45	44		41								37		34	33	
						73				32	31			28	27	26		25								18		
SALEABLE	NOT APPLICABLE	34566-5683	0	B	ST GRY	72				68					62	61										53		
						52				48		46		44	43		41	40							20	19	18	
						73				16		14													4			
SALEABLE	NOT APPLICABLE	34566-5693	0	A	BLACK	72	71	70	69	68		66	65	64	63		61	60			57	56		54	53			
						52	51	50	49	48		46	45	44	43		41	40	39	38	37	36			34	33		
						73				32	31	30	29	28		26	25		23	22	21	20					2	
SALEABLE	NOT APPLICABLE	34566-5713	0	C	BLUE				69	67	66		64		62		60			57		55	54					
						52	51	50		48		46	45	44		42								37		35	34	33
						73				32	31			28	27	26										19	18	17
SALEABLE	NOT APPLICABLE	34566-5723	0	C	BLUE				69	67	66		64		61	60			57		54							
						52	51	50	49	48		46	45	44		41								37		34	33	
						73				32	31			28	27	26		25								18		

STATUS	GM PART #	HRNS CONN ASSY				TPA	GROMMET CAP																					
		MATERIAL/PART	WIRE DRESS OPTION	KEY OPTION Fp	COLOR OPTION Fp	NUMBERS INDICATE CAVITIES OPEN FOR CIRCUITS																						
		NUMBER				Fp																						
SALEABLE	NOT APPLICABLE	34566-5733	0	A	BLACK	71	70	69					64	63			60	59	58	57	56	55	54	53				
						52	51		49				45	44	43	42	41					37	36		19	18		
						73				32		30		28		26										3		
SALEABLE	NOT APPLICABLE	34566-5743	0	A	BLACK	71	70	69					64	63			60	59		57	56	55	54	53				
						52	51		49				45	44	43	42	41					37	36		19	18		
						73				32		30		28		26										3		
SALEABLE	NOT APPLICABLE	34566-5753	0	A	BLACK	71	70	69					64	63			60	59		57	56	55	54	53				
						52	51		49				45	44	43	42	41					37	36		19	18		
						73				32		30		28		26										3		
SALEABLE	NOT APPLICABLE	34566-5763	0	C	BLUE	72		70		68		66		63	62			59		57				53				
						52	51			48	47	46		44		42		40	39		37	36		34	33			
						73				32		30			27	26	25	24		22	21	20						
SALEABLE	NOT APPLICABLE	34566-5773	0	C	BLUE	72		70		68		66		63	62			59	58	57				53				
						52	51			48	47	46		44		42		40	39		37	36		34	33			
						73				32		30			27	26	25	24		22	21	20				2	1	
SALEABLE	NOT APPLICABLE	34566-5783	0	C	BLUE	72		70		68		66		63	62			59		57				53				
						52	51			48	47	46		44		42		40	39		37	36		34	33			
						73				32		30			27	26	25	24		22	21	20					2	
SALEABLE	NOT APPLICABLE	34566-5793 SAME AS P/N 34566-4013	0	B	ST GR Y	72		70		68		66					60	59					55	54	53			
						52		50		48		46					40	39							35	34	33	
						73				32	31	30	29	28	27	26	25	24									2	1
SALEABLE	NOT APPLICABLE	34566-5813	0	B	ST GR Y	72		70		68		66					60	59					55	54	53			
						52		50		48		46					40	39							35	34	33	
						73				32	31	30	29	28	27	26	25	24	23							19	18	17
SALEABLE	NOT APPLICABLE	34566-5823	0	A	BLACK	72		70						63														
						52			49					43		41												
						73					31	30		28	27	26			23				20	19				
SALEABLE	NOT APPLICABLE	34566-5833	0	A	BLACK	72		70						63														
						52			49					43		41												
						73					31	30		28	27	26			23				20	19				
SALEABLE	NOT APPLICABLE	34566-5843	0	H	ST GR Y	79						74	73	72	71			68	67		65	64	63	62	61			
						59			57			54	53	52								25				42	41	
								38				34	33					29		27								
SALEABLE	NOT APPLICABLE	34566-5853	0	H	ST GR Y	79						74	73	72	71			68	67		65	64	63	62	61			
						59			57			54	53	52												43	42	41
								38				33					29		27				25					
SALEABLE	NOT APPLICABLE	34566-5863	0	C	BLUE	72		70				66		63	62			59		57	56	55		53				
						52	51					46		44		42		40	39		37	36		34	33			
						73				32		30			26	25			22	21					19	18		
SALEABLE	NOT APPLICABLE	34566-5873	0	B	ST GR Y	72									62	61												
						52				48	47	46		44	43		41	40							20	19	18	
						73				16	15	14													4			
SALEABLE	NOT APPLICABLE	34566-5883	0	B	ST GR Y	72									62	61												
						52				48	47	46		43		41	40								20	19	18	
						73				16	15	14													4			

STATUS	GM PART #	HRNS CONN ASSY			TPA	GROMMET CAP																								
		MATERIAL/PART	WIRE DRESS OPTION	KEY OPTION	COLOR OPTION	NUMBERS INDICATE CAVITIES OPEN FOR CIRCUITS																								
		NUMBER		Fp	Fp	Fp																								
SALEABLE	NOT APPLICABLE	34566-5893	0	C	BLUE				69		67	66				62		60			57		55	54						
						52	51	50		48		46	45	44		42				37			35	34	33					
						73				32				28	27	26								19	18					
SALEABLE	NOT APPLICABLE	34566-5913	0	C	BLUE				69		67	66			64		61	60			57			54						
						52	51	50	49	48		46	45	44			41					37			34	33				
						73				32				28	27		25									18				
SALEABLE	NOT APPLICABLE	34566-5933	0	C	BLUE	72			70		68		66			63	62			59		57	56	55		53				
						52	51			48	47	46		44		42		40	39							34	33			
						73				32			30			26	25		23	22	21									
SALEABLE	NOT APPLICABLE	34566-5943	0	C	BLUE				70		68	67	66			63	62			59		57	56	55		53				
						52	51		49	48	47	46		44		42		40	39								34	33		
						73				32			30			27	26	25			22	21	20							
SALEABLE	NOT APPLICABLE	34566-5953	0	A	BLACK		71	70	69					65	64	63	62	61	60			58	57	56	55	54	53			
						52	51		49	48	47		45	44	43	42	41						37	36			34			
						73				32			30	29	28	27	26		24								19	18		
SALEABLE	NOT APPLICABLE	34566-5963	0	B	ST GR Y		71	70		69																				
						52	51	50		48	47	46				42	41	40	39	38	37	36				35	34	33		
						73				32	31	30	29	28	27	26	25	24										18		
SALEABLE	NOT APPLICABLE	34566-5973	0	C	BLUE				70		68	67	66			63	62			59		57	56	55		53				
						52	51		49	48	47	46		44		42		40	39								34	33		
						73				32			30			27	26	25			22	21		19	18					
SALEABLE	NOT APPLICABLE	34566-5983	0	C	BLUE				69		67	66			64		62		60			57		55	54					
						52	51	50		48		46	45	44		42									37		35	34	33	
						73				32				28	27	26											19	18		
SALEABLE	NOT APPLICABLE	34566-5993	0	A	BLACK		71	70	69					65	64	63	62	61	60			58	57	56	55	54	53			
						52	51	50	49	48	47		45	44	43	42	41	40	39					37	36	35	34			
						73				32	31	30	29	28	27	26	25	24	23		21	20	19	18				17		
SALEABLE	NOT APPLICABLE	34566-6013	0	B	ST GR Y				69		67		65					61	60	59	58	57			54	53				
							51	50	49	48	47	46	45		43			40	39								34	33		
						73				32	31	30	29			26		24	23	22	21	20								
SALEABLE	NOT APPLICABLE	34566-6023	0	A	BLACK		71	70	69		68	67						60	59	58	57	56			54	53				
						52	51	50	49	48	47		45	44	43			40	39	38	37	36	35	34			33			
						73				32	31	30	29	28			24	23	22	21	20	19						17		
SALEABLE	NOT APPLICABLE	34566-6033	0	A	BLACK				70	69						63	62	61			58	57	56	55	54	53				
						52	51		49					44	43	42	41									37	36	34		
						73				32			29	28	27	26							21		19	18				
SALEABLE	NOT APPLICABLE	34566-6043	0	B	ST GR Y					68	67	66	65	64							58				55					
										48		46	45														35			
						73				32		30	29	28	27								22				19		17	
SALEABLE	NOT APPLICABLE	34566-6053	0	B	ST GR Y											62	61													
						52				48	47	46			43		41	40												
						73				32			30													20	19	18		
SALEABLE	NOT APPLICABLE	34566-6063	0	C	BLUE				69		67	66			64		62		60			57		55	54					
						52	51	50		48		46	45	44		42										37		35	34	33
						73				32				28	27	26												19	18	17

STATUS	GM PART #	HRNS CONN ASSY				TPA	GROMMET CAP																					
		MATERIAL/PART	WIRE DRESS OPTION	KEY OPTION Fp	COLOR OPTION Fp	NUMBERS INDICATE CAVITIES OPEN FOR CIRCUITS																						
		NUMBER				Fp																						
SALEABLE	NOT APPLICABLE	34566-6073	0	C	BLUE				69		67	66		64			61	60			57			54				
						52	51	50	49	48		46	45	44			41			37						34	33	
						73				32				28	27		25											18
SALEABLE	NOT APPLICABLE	34566-6083	0	C	BLUE	72		70		68	67	66			63	62			59			57				53		
						52	51			48	47	46		44		42		40	39			37	36			34	33	
						73				32		30				26	25			22	21							
SALEABLE	NOT APPLICABLE	34566-6093	0	B	ST GRAY	72		70			67				63	62	61	60	59									
						52						46			43		41	40								20	19	18
						73				16		14			11											4		
SALEABLE	NOT APPLICABLE	34566-6113	0	A	BLACK	72	71	70	69	68		66	65	64	63	62	61	60			58	57	56	55	54	53		
						52	51	50	49	48		46	45	44	43	42	41	40	39	38	37	36			34	33		
						73				32	31	30	29	28	27	26	25		23	22	21	20	19	18				
SALEABLE	NOT APPLICABLE	34566-6123	0	C	BLUE				69		67	66		64			62		60			57			54			
						52	51	50		48		46	45	44		42						37				34	33	
						73				16	15	14	13	12	11	10	9	8	7									
SALEABLE	NOT APPLICABLE	34566-6133	9	C	BLUE	72		70		68	67				63	62			59			57				53		
						52	51			48	47			44		42		40	39	38	37	36			34	33		
						73				32		30				26	25	24		22	21							
SALEABLE	NOT APPLICABLE	34566-6173	9	B	ST GRAY						67	66																
										48	47					41												
						73				32	31	30	29		27	26	25	24		22	21			19	18	17		
SALEABLE	NOT APPLICABLE	34566-6183	9	A	BLACK							66																
										48	47					41												
						73				32	31	30	29		27	26	25	24		22	21			19	18	17		
SALEABLE	NOT APPLICABLE	34566-6193	9	B	ST GRAY	72	71	70	69	68	67	66	65	64		62	61	60	59	58	57	56	55	54				
						52	51	50	49			46		44			41	40		38	37	36						
						73				32	31	30	29	28	27	26	25	24		21	20			18	17			
SALEABLE	NOT APPLICABLE	34566-6213	9	A	BLACK						67	66																
										48	47					41												
						73				32	31	30	29		27	26	25	24		22	21			19	18	17		
SALEABLE	NOT APPLICABLE	34566-6223	9	C	BLUE	72		70		68		66			63	62			59			57			53			
						52	51			48	47	46		44			40	39								34	33	
						73				32		30			27	26	25	24		22	21	20						
SALEABLE	NOT APPLICABLE	34566-6233	9	B	ST GRAY						67	66																
										48		46					40	39								35	34	33
						73				32	31	30	29	28	27	26	25	24										17
SALEABLE	NOT APPLICABLE	34566-6243	9	A	BLACK		71	70	69					64	63			60	59	58	57	56	55	54	53			
						52	51	50	49				45	44	43	42	41		39			37	36			34		
						73				32		30			28		26									19	18	
SALEABLE	NOT APPLICABLE	34566-6253	9	C	BLUE			70		68	67	66			63	62			59			57			53			
						52	51		49	48	47	46		44			40	39			37	36			34	33		
						73				32		30			27	26	25	24		22	21	20						
SALEABLE	NOT APPLICABLE	34566-6263	9	B	ST GRAY	72	71	70		68	67	66				62	61	60	59	58	57	56	55	54	53			
						52	51	50		48	47	46				42	41	40	39	38	37	36	35	34	33			
						73				32	31	30	29	28	27	26	25	24								3	2	1

STATUS	GM PART #	HRNS CONN ASSY			TPA	GROMMET CAP																						
		MATERIAL/PART	WIRE DRESS OPTION	KEY OPTION Fp	COLOR OPTION Fp	NUMBERS INDICATE CAVITIES OPEN FOR CIRCUITS																						
		NUMBER				Fp																						
SALEABLE	NOT APPLICABLE	34566-6273	9	B	ST GRY	71	70	69				65	64	63	62	61	60		58	57	56	55	54	53				
						52	51	50	49	48	47		45	44	43	42	41		39		37	36		34				
						73			32		30	29	28	27	26		24								19	18		
SALEABLE	NOT APPLICABLE	34566-6283	9	C	BLUE	72		70		68	67	66			63	62			59		57			53				
						52	51			48	47	46		44				40	39						34	33		
						73			32		30			27	26	25			22	21								
SALEABLE	NOT APPLICABLE	34566-6293	9	B	ST GRY	72	71	70		68	67	66				62	61	60	59	58	57	56	55	54	53			
						52	51	50		48	47	46				42	41	40	39	38	37	36	35	34	33			
						73			32	31	30	29	28	27	26	25	24										17	
SALEABLE	NOT APPLICABLE	34566-6313	9	B	ST GRY			70	69						63	62	61	60		58	57	56	55	54	53			
						52	51	50	49					44	43	42	41		39							34		
						73			32			29	28	27	26											19	18	
SALEABLE	NOT APPLICABLE	34566-6323	9	B	ST GRY		71	70	69					64	63			60	59	58	57	56	55	54	53			
						52	51	50	49					45	44	43	42	41		39							34	
						73			32		30			28		26											19	18
SALEABLE	NOT APPLICABLE	34566-6333	9	C	BLUE			70		68	67	66			63	62			59		57	56	55		53			
						52	51			48	47	46		44				40	39							34	33	
						73			32		30			27	26	25			22	21						19	18	
SALEABLE	NOT APPLICABLE	34566-6343	9	A	BLACK			70	69						63	62	61	60		58	57	56	55	54	53			
						52	51	50	49					44	43	42	41	40	39							34		
						73			32			29	28	27	26												19	18
SALEABLE	NOT APPLICABLE	34566-6353	9	C	BLUE			70		68		66			63	62			59	58	57	56	55		53			
						52	51			48	47	46		44				40	39							34	33	
						73			32		30			27	26	25			23	22	21	20					17	
SALEABLE	NOT APPLICABLE	34566-6363	9	B	ST GRY			70		68		66					60	59				55	54	53				
						52		50		48		46					40	39							35	34	33	
						73			32	31	30	29	28	27	26	25	24	23								19	18	17
SALEABLE	NOT APPLICABLE	34566-6373	9	A	BLACK		71	70	69					64	63			60	59	58	57	56	55	54	53			
						52	51	50	49		47		45	44	43	42	41	40	39							34		
						73			32		30			28		26			23		21					19	18	17
SALEABLE	NOT APPLICABLE	34566-6383	9	A	BLACK		71	70	69	68		66	65	64	63		61	60				57	56		54	53		
						52	51	50	49	48		46	45	44	43	42	41	40	39	38	37	36				34	33	
						73			32	31	30	29	28						23	22	21						2	1
SALEABLE	NOT APPLICABLE	34566-6393	9	C	BLUE		71	70	69		67	66	65	64		62	61	60		58	57		55	54				
						52	51	50	49	48	47	46	45	44		42	41								35	34	33	
						73			32				28	27	26	25										19	18	17
SALEABLE	NOT APPLICABLE	34566-6413	9	B	ST GRY					68	67				63	62	61	60	59				55					
						52				48	47	46		44	43		41	40			38	37	36	35				
						73			32		30			27											20	19	18	17
SALEABLE	NOT APPLICABLE	34566-6423	9	C	BLUE						67	66	65	64							56		54					
						52	51	50	49		47	46	45	44					39	38					34			
						73			32		30	29	28		26	25			23	22	21						17	
SALEABLE	NOT APPLICABLE	34566-6433	9	A	BLACK			70			67				63		60	59	58	57	56	55						
						52	51			48	47	46				43	42		40	39	38	37	36	35				
						73			32					28	27					22	21					18	17	

STATUS	GM PART #	HRNS CONN ASSY			TPA	GROMMET CAP																					
		MATERIAL/PART	WIRE DRESS OPTION	KEY OPTION	COLOR OPTION	NUMBERS INDICATE CAVITIES OPEN FOR CIRCUITS																					
		NUMBER		Fp	Fp	Fp																					
SALEABLE	NOT APPLICABLE	34566-6443	9	B	ST GRY	72	71	70	69	68	67	66	65	64	63		61	60			57	56	55				
						52	51	50	49	48	47	46	45	44	43		41	40			38	37	36	35	34	33	
						73				16	15	14	13	12	11		9	8	7	6	5	4	3	2	1		
SALEABLE	NOT APPLICABLE	34566-6453	0	C	BLUE		71	70	69		67		65	64		62	61	60			57			54			
						52	51	50	49	48	47	46	45	44		42	41					37			34	33	
						73				32				28	27	26	25									18	17
SALEABLE	NOT APPLICABLE	34566-6463	0	B	ST GRY	72				68	67					62	61							55			
						52				48	47	46			43			40									
						73							30											20	19	18	
SALEABLE	NOT APPLICABLE	34566-6473	9	C	BLUE			70	69		67	66		64		62		60			57		55	54			
						52	51	50		48		46	45	44		42						37		35	34	33	
						73				32				28	27	26									19	18	17
SALEABLE	NOT APPLICABLE	34566-6483	9	A	BLACK	72	71	70	69	68		66	65	64	63		61	60			57	56		54	53		
						52	51	50	49	48		46	45	44	43		41	40	39	38	37	36		34	33		
						73				32	31	30	29	28		26	25		23	22	21	20					2
SALEABLE	NOT APPLICABLE	34566-6493	9	B	ST GRY	72			70							62	61							55			
						52				48	47	46			43			41	40								
						73							30											20	19	18	
SALEABLE	NOT APPLICABLE	34566-6513	0	B	ST GRY					68	67					62	61						55	54			
						52						46			43			40									
						73				16	15	14					8						4	3	2		
SALEABLE	NOT APPLICABLE	34566-6523	0	B	ST GRY					68	67			64				59	58					54			
						73				32		30	29	28	27			23	22								17
											15		13		11	10				6							1
SALEABLE	NOT APPLICABLE	34566-6533	9	B	ST GRY					68	67			64													
						73				32		30	29	28	27												17
															10			7									1
SALEABLE	NOT APPLICABLE	34566-6543	9	A	BLACK	72	71	70	69	68		66	65	64	63		61	60			57	56		54	53		
						52	51	50	49	48		46	45	44	43		41	40	39	38	37	36		34	33		
						73				32	31	30	29	28		26	25		23	22	21	20					2
SALEABLE	NOT APPLICABLE	34566-6553	9	A	BLACK	72	71	70	69		67			64	63		61	60	59	58	57	56	55	54	53		
						52	51	50	49		47		45	44	43	42	41	40	39		37	36		34	33		
						73				32		30		28		26								19	18	17	
SALEABLE	NOT APPLICABLE	34566-6563	9	C	BLUE				70						63	62		60	59	58	57			53			
						52	51	50	49	48	47	46		44			40	39							34	33	
						73				32		30			27	26	25		23	22	21	20					17
SALEABLE	NOT APPLICABLE	34566-6573	9	A	BLACK					68	67			64	63		61	60	59	58	57	56	55	54	53		
						52	51	50	49		47		45	44	43	42	41	40	39		37	36		34	33		
						73				32		30		28		26			23		21		19	18			
SALEABLE	NOT APPLICABLE	34566-6583	9	A	BLACK				70	69					63	62	61	60		58	57	56	55	54	53		
						52	51	50	49					44	43	42	41	40	39		37	36		34	33		
						73				32			29	28	27	26									19	18	
SALEABLE	NOT APPLICABLE	34566-6593	0	C	BLUE				69						63	62		60			57		55	54			
						52	51	50		48		46	45	44		42						37		35	34	33	
						73				32				28	27	26							20	19	18	17	

STATUS	GM PART #	HRNS CONN ASSY				TPA	GROMMET CAP																					
		MATERIAL/PART	WIRE DRESS OPTION	KEY OPTION	COLOR OPTION	NUMBERS INDICATE CAVITIES OPEN FOR CIRCUITS																						
		NUMBER		Fp	Fp	Fp																						
SALEABLE	NOT APPLICABLE	34566-6613	0	A	BLACK	72	71	70	69			66		64	63		61	60			57	56		54	53			
						52	51	50	49			46	45	44	43		26	25	23	22	21	36			34	33		
						73				32	31	30	29	28														
SALEABLE	NOT APPLICABLE	34566-6623	9	B	ST GRAY					68	67			64					59	58			54					
												46	45									39	38					
						73				32		30	29	28	27								23	22			17	
SALEABLE	NOT APPLICABLE	34566-6633	9	C	BLUE				69		67	66		64		62		60			57			54				
						52	51	50		48		46	45	44		42							37			34	33	
						73				16	15	14	13	12	11	10	9	8	7									
SALEABLE	NOT APPLICABLE	34566-6643	9	C	BLUE		71			68	67		65	64	63		61	60		58	57			54				
						52	51	50		48			45		43		41						38	37			34	33
						73								28	27		25											18
SALEABLE	NOT APPLICABLE	34566-6653	9	B	ST GRAY	72				68						62	61	60	59					55				
						52				48	47	46		44	43		41	40				38	37	36	35			
						73						30													20	19	18	
SALEABLE	NOT APPLICABLE	34566-6663	9	A	BLACK	72	71	70	69	68		66	65	64	63			60			57	56			54			
						52	51	50	49	48		46	45	44	43	42		40	39	38	37	36					34	
						73				32	31	30	29	28			26	25		23	22	21	20					
SALEABLE	NOT APPLICABLE	34566-6673	9	B	ST GRAY		71			68	67	66	65	64	63		61	60	59		57	56	55					
						52	51	50	49	48	47	46	45	44	43		41	40	39	38	37	36	35	34	33			
						73				32	31	30	29	28		26		24	23	22	21	20	19	18	17			
SALEABLE	NOT APPLICABLE	34566-6683	9	A	BLACK	72			70		67				63			60	59	58	57							
						52				48	47	46			43	42		40	39	38	37							
						73				32	31	30	29	28	27							22	21					2
SALEABLE	NOT APPLICABLE	34566-6693	9	C	BLUE	72	71	70	69		67	66	65	64							56				54			
						52	51	50	49		47	46	45	44									39	38			34	
						73				31	30	29	28		26	25	24	23	22	21								
SALEABLE	TBD	34822-0063	9	A	BLACK		63	62	61	60	59					54	53		51		49	66						
							47								38	37		35		33								
						65								28									22	21	20	19	18	17
SALEABLE	NOT APPLICABLE	34566-6713	9	A	BLACK	72	71	70	69	68		66	65	64	63		61	60			57	56			54	53		
						52	51	50	49	48		46	45	44	43	42	41	40	39	38	37	36					34	33
						73				32	31	30	29	28		26	25		23	22	21							
SALEABLE	NOT APPLICABLE	34566-6723	0	H	ST GRAY		79						74	73					67		65	64	63	62	61			
							59							53	52								44	43	42	41		
								38						33							27		25					
SALEABLE	NOT APPLICABLE	34566-6733	0	G	BLUE			78	77		75	74		72		70				64	63							
						60		58	57		55	54		52	51	50	49		47		45							
						40	39	38	37				33	32	31					27	26							
SALEABLE	NOT APPLICABLE	34566-6743	9	C	BLUE	71			69	68	67		65	64	63		61	60			57							
						52	51	50		48		46	45		43		41										34	33
						73				16	15	14	13	12	11	10	9	8	7									
SALEABLE	NOT APPLICABLE	34566-6753	9	A	BLACK	72	71	70	69	68		66	65	64		61	60			57	56			54	53			
						52	51	50	49	48		46	45	44	43	42		40	39	38	37	36					34	33
						73					31	30	29	28								23	22	21	20			

STATUS	GM PART #	HRNS CONN ASSY			TPA	GROMMET CAP																							
		MATERIAL/PART	WIRE DRESS OPTION	KEY OPTION Fp	COLOR OPTION Fp	NUMBERS INDICATE CAVITIES OPEN FOR CIRCUITS																							
		NUMBER				Fp																							
SALEABLE	NOT APPLICABLE	34566-6763	9	B	ST GRY	72				68						62	61							55					
						52		50	49			46	45		43			40					22	21	20	19	34		
						73				16		14					8		6	5	4							18	
SALEABLE	NOT APPLICABLE	34566-6773	0	C	BLUE	72		70		68		66			63	62			59	58	57				53				
						52	51		49	48	47	46		44		42		40	39							34	33		
						73				32		30				26	25			22	21		19	18	17				
SALEABLE	NOT APPLICABLE	34566-6783	0	B	ST GRY	72		70		68		66						60	59					55	54	53			
						52		50		48		46			43			40	39							35	34	33	
						73				32	31	30	29	28	27	26	25	24	23										17
SALEABLE	NOT APPLICABLE	34566-6793	0	B	ST GRY	72		70		68		66		64	63			60	59						55	54	53		
						52		50		48		46			43			40	39								35	34	33
						73				32	31	30	29	28	27	26	25	24	23							20			17
SALEABLE	NOT APPLICABLE	34566-6813	9	A	BLACK	72		70	69	68	67		65	64	63	62	61	60		58	57	56	55	54	53				
						52	51	50	49	48	47		45	44	43	42	41	40	39			37	36			34			
						73				32		30	29	28	27	26	25	24					21				18		
SALEABLE	NOT APPLICABLE	34566-6823	9	C	BLUE	72		70		68	67	66			63	62			59						55	54	53		
						52	51		49	48	47	46		44			41	40	39			37	36	35	34	33			
						73				32		30			27	26	25	24		22	21	20							
SALEABLE	NOT APPLICABLE	34566-6833	0	A	BLACK	72		70	69	68					63			60	59	58	57	56	55	54	53				
						52	51		49	48	47			44	43	42	41	40				37	36			34	33		
						73				32					28	26										19	18		
SALEABLE	NOT APPLICABLE	34566-6843	0	A	BLACK	72	71	70	69	68		66	65	64	63		61	60						57	56	54	53		
						52	51	50	49	48		46	45	44	43			40	39	38	37	36				34	33		
						73				32	31	30	29	28		26	25		23	22	21	20						17	
SALEABLE	NOT APPLICABLE	34566-6853	0	C	BLUE	72		70	69	68	67	66		64		62	61	60						57	56	54	53		
						52	51	50	49	48		46	45	44		42	41					37			35	34	33		
						73				32				28	27	26	25								19	18	17		
SALEABLE	NOT APPLICABLE	34566-6863	0	A	BLACK	72	71	70	69	68		66	65	64	63		61	60						57	56	54	53		
						52	51	50	49	48		46	45	44	43	42		40	39	38	37	36				34	33		
						73				32	31	30	29	28		26	25		23	22	21	20						17	
SALEABLE	NOT APPLICABLE	34566-6873	9	B	ST GRY	72				68	67				63	62	61	60	59						55		53		
						52				48	47	46		44	43		41	40			38	37	36	35					
						73						30		27											20	19	18	17	
SALEABLE	NOT APPLICABLE	34566-6883	9	A	BLACK	72		70			67				63			60	59	58	57	56	55						
						52	51			48	47	46			43	42		40	39	38	37	36	35						
						73								28	27					22	21					18	17		
SALEABLE	NOT APPLICABLE	34566-6893	0	B	ST GRY	72	71	70	69	68	67	66	65	64	63	62	61	60	59					57	56	55			
						52	51	50	49	48	47	46	45	44	43		41	40	39	38	37	36	35	34	33				
						73				32	31	30	29	28		26			24	23	22	21	20	19	18	17			
SALEABLE	NOT APPLICABLE	34566-6913	9	A	BLACK	72	71	70	69	68	67	66	65	64	63			60	59	58	57	56	55	54					
						52	51	50	49	48	47	46	45	44	43	42		40	39	38	37	36	35	34					
						73				32	31	30	29	28	27	26	25		23	22	21	20				18	17		
SALEABLE	NOT APPLICABLE	34566-6923	9	C	BLUE	72	71	70	69		67	66	65	64			61	60			58	57	56		54				
						52	51	50	49	48	47	46	45	44			41		39	38	37					34	33		
						73				32	31	30	29	28	27	26	25	24	23	22	21						18	17	

STATUS	GM PART #	HRNS CONN ASSY			TPA	GROMMET CAP																							
		MATERIAL/PART	WIRE DRESS OPTION	KEY OPTION Fp	COLOR OPTION Fp	NUMBERS INDICATE CAVITIES OPEN FOR CIRCUITS Fp																							
		NUMBER																											
SALEABLE	NOT APPLICABLE	34566-6933	9	B	ST GRY	72				68	67				63	62	61	60	59				55		53				
						52				48	47	46		44	43		41	40			38	37	36	35		18	17		
						73				16	15	14			11			8			6			4				1	
SALEABLE	NOT APPLICABLE	34566-6943	9	A	BLACK	72	71	70	69	68		66	65	64	63		61	60				57	56		54	53			
						52	51	50	49	48		46	45	44	43	42	41	40	39	38	37	36				34	33		
						73				32	31	30	29	28						23	22	21						2	1
SALEABLE	NOT APPLICABLE	34566-6953	0	A	BLACK	72	71	70	69			66		64	63		61	60				57	56		54	53			
						52	51	50	49			46	45	44	43			40	39	38	37	36				34	33		
						73				32	31	30	29	28			26	25		23	22	21	20					2	1
SALEABLE	NOT APPLICABLE	34566-6963	0	B	ST GRY	72		70		68	67					62	61							55					
						52				48	47	46			43			40								20	19	18	
						73						30														4		2	
SALEABLE	NOT APPLICABLE	34566-6973	0	C	BLUE		71	70	69		67		65	64		62	61	60				57		55	54				
						52	51	50	49	48	47	46	45	44		42	41						37			35	34	33	
						73				32				28	27	26	25										19	18	17
SALEABLE	NOT APPLICABLE	34566-6983	0	C	BLUE		71		69		67		65	64		62		60				57			54				
						52	51	50		48	47	46	45	44		42										34	33		
						73								28	27	26											18		
SALEABLE	NOT APPLICABLE	34566-6993	0	G	BLUE			78	77	76									67	66	65								
						40	39	38	37	36	35	34	33	32				29	28					25				21	
						20	19	18	17	16	15	14	13	12													3		1
SALEABLE	NOT APPLICABLE	34566-7013	9	A	BLACK		71	70	69					64	63	62	61	60	59	58	57	56	55	54	53				
						52	51	50	49				45	44	43	42	41		39							34			
						73				32			29	28	27	26											19	18	
SALEABLE	NOT APPLICABLE	34566-7023	0	A	BLACK	72	71	70	69	68		66	65	64			61	60				57	56		54	53			
						52	51	50	49	48		46	45	44	43			40	39	38	37	36				34	33		
						73					31	30	29	28			26	25		23	22	21	20					2	
SALEABLE	NOT APPLICABLE	34566-7033	0	A	BLACK			70	69				65		63	62	61	60			58	57	56	55	54	53			
						52	51		49					44	43	42	41							37	36		34		
						73				32			29	28	27	26									21		19	18	
SALEABLE	NOT APPLICABLE	34566-7043	0	B	ST GRY	72				68	67				63	62	61	60	59					55					
						52						46			43		41	40								20	19	18	
						73				16		14				11			8							4			
SALEABLE	NOT APPLICABLE	34566-7053	0	C	BLUE		71		69		67		65	64		62	61	60				57			54				
						52	51	50	49	48	47	46	45	44		42	41									34	33		
						73								28	27	26	25												
SALEABLE	NOT APPLICABLE	34566-7063	0	C	BLUE	72		70		68	67	66			63	62			59			57			53				
						52	51			48	47	46		44			40	39								34	33		
						73				32		30				26	25			22	21								
SALEABLE	NOT APPLICABLE	34566-7073	9	F	NATURAL				69	68					43	42					58	57							
						73						30														19	18	17	
																											3	2	1
SALEABLE	NOT APPLICABLE	34566-7083	9	B	ST GRY																								
						73				16	15	14	13	12	11	10			8	7							3	2	1

STATUS	GM PART #	HRNS CONN ASSY			TPA	GROMMET CAP																						
		MATERIAL/PART	WIRE DRESS OPTION	KEY OPTION		COLOR OPTION	NUMBERS INDICATE CAVITIES OPEN FOR CIRCUITS																					
		NUMBER		Fp		Fp	Fp																					
SALEABLE	NOT APPLICABLE	34566-7093	9	B	ST GRV	72	71	70	69	68	67	66	65	64	63				59					53				
						52	51	50	49	48	47	46	45	44	43				39						34	33		
						73				32	31	30	29	28	27	26	25	24	23							3	2	1
										16	15	14	13	12	11	10				8	7							
SALEABLE	NOT APPLICABLE	34566-7113	9	G	BLUE	80	79	78		76					71			67										
						60	59	58	57			54			51	50	49	48	47					44		41		
						40	39		37					33	32		30	29	28	27			25	24				
						20	19	18							12	11		9	8				5		3	2		
SALEABLE	NOT APPLICABLE	34566-7123	9	G	BLUE	80	79	78						71			67											
						60	59	58	57			54			51	50	49	48	47					44		41		
						40	39		37					33	32		30	29	28	27			25	24				
						20	19	18							12	11		9	8				5		3	2		
SALEABLE	NOT APPLICABLE	34566-7133	9	B	ST GRV																	58		54	53			
						73													42									
SALEABLE	NOT APPLICABLE	34566-7143	0	A	BLACK			70	69						63			60	59	58	57	56	55	54	53			
						52	51		49	48	47			44	43	42	41						37	36		34	33	
						73				32						28		26									19	18
										16	15					12		10									3	
SALEABLE	NOT APPLICABLE	34566-7153	0	C	BLUE	72		70		68		66			63	62			59	58	57				53			
						52	51		49	48	47	46		44		42		40	39			37	36			34	33	
						73				32		30				26	25	24			22	21			19	18	17	
											15	14				10	9	8		6	5	4				2	1	
SALEABLE	NOT APPLICABLE	34566-7163	0	A	BLACK	72		70	69	68	67							61	60				56	55	54	53		
						52		50	49	48	47			45	44	43			41	40					35	34	33	
						73										29	28			25	24				20	19	18	17
										16	15						11		9	8	7	6	5	4		3	2	1
SALEABLE	NOT APPLICABLE	34566-7173	0	B	ST GRV					68	67	66	65	64	63					58				55				
																											34	
						73				32		30	29	28	27								22					17
										16																		
SALEABLE	NOT APPLICABLE	34566-7183	0	B	ST GRV	72	71	70	69	68	67	66	65	64	63	62	61	60	59	58	57	56	55	54	53			
						52	51	50	49	48	47	46	45	44	43	42	41	40	39	38	37	36	35	34	33			
						73				32	31	30	29	28	27	26	25	24			22	21	20	19	18	17		
										16	15	14	13	12	11	10	9	8	7	6	5	4	3	2	1			
SALEABLE	NOT APPLICABLE	34566-7193	0	A	BLACK	72		70	69						63	62	61	60			58	57	56	55	54	53		
						52	51		49					44	43	42	41						37	36			34	
						73				32						29	28	27	26							19	18	17
										16	15			13	12	11	10									3	2	1
SALEABLE	NOT APPLICABLE	34566-7213	0	A	BLACK			70	69						63					58			56		54			
						52	51		49		47			44	43	42	41		39					36		34		
						73				32						28		26								19	18	17
										16						12		10								3	2	1
SALEABLE	NOT APPLICABLE	34566-7223	0	C	BLUE	72		70		68		66			63	62			59						53			
						52	51			48	47	46		44		42		40	39			37	36			34	33	
						73				32		30				26	25	24			22	21	20					
											15	14	13				10	9	8		6	5	4				2	
SALEABLE	NOT APPLICABLE	34566-7233	9	A	BLACK	72										62	61					57	56	55	54			
						52	51							46	45		43			40			37		35	34		
						73				32		30	29					25						20				
										16	15		13			11	10	9						4				
SALEABLE	NOT APPLICABLE	34566-7243	9	A	BLACK	72										62	61				58	57	56	55	54			
						52	51			48		46	45		43			41	40					37		35	34	
						73				32		30	29					25						20				
										16	15		13			11	10	9						4	3			
SALEABLE	TBD	34822-0073	0	A	BLACK		63	62	61	60	59					54	53		51		49	66						
							47									38	37		35		33							
						65										28			25			22	21	20	19	18	17	
																			8	7						3	2	1

STATUS	GM PART #	HRNS CONN ASSY			TPA	GROMMET CAP																								
		MATERIAL/PART	WIRE DRESS OPTION	KEY OPTION ▽ Fp		COLOR OPTION ▽ Fp	NUMBERS INDICATE CAVITIES OPEN FOR CIRCUITS ▽ Fp																							
		NUMBER					63	62	61	60	59					54	53		51		49	66								
SALEABLE	TBD	34822-0083	9	A	BLACK		47									39	38	37		35		22	21	20	19	18	17			
						65					15	14	13		28			25		8	7									
SALEABLE	NOT APPLICABLE	34566-7253	0	B	ST GRY	72											62	61							20	19	18			
						52				48	47	46		44	43										4					
						73					16		14																	
SALEABLE	NOT APPLICABLE	34566-7263	0	C	BLUE				69		67	66		64			62			60				57			54			
						52	51	50		48		46	45	44			42						37				34	33		
						73					16	15	14	13	12	11	10	9	8	7								18		
SALEABLE	NOT APPLICABLE	34566-7273	0	C	BLUE				69		67	66		64			62			60				57		55	54			
						52	51	50		48		46	45	44			42						37			35	34	33		
						73					32				28	27	26									19	18	17		
									69		67	66		64			62													
SALEABLE	NOT APPLICABLE	34566-7283	0	C	BLUE	52	51	50	49	48		46	45	44			41						37				34	33		
						73					16	15	14	13	12	11	10	9	8	7							18			
SALEABLE	NOT APPLICABLE	34566-7293	9	A	BLACK	72	71	70	69	68	67	66	65	64	63					59								53		
						52	51	50	49	48	47	46	45	44	43					39							34	33		
						73					32	31	30	29	28	27	26	25	24	23							17			
										16	15	14	13	12	11	10			8	7						3	2	1		
SALEABLE	NOT APPLICABLE	34566-7313	0	B	ST GRY	72					67						62	61									55			
						52				48	47	46			43				40											
						73							30										22	21	20	19	18			
										16		14										6			4					
SALEABLE	NOT APPLICABLE	34566-7333	9	B	ST GRY	72	71	70	69	68	67	66	65	64	63	62	61	60	59			57	56	55						
						52	51	50	49	48	47	46	45	44	43			41	40	39	38	37	36	35	34	33				
						73					32	31	30	29	28		26		24	23	22	21	20	19	18	17				
										16	15	14	13	12	11			9	8	7	6	5	4	3	2	1				
SALEABLE	NOT APPLICABLE	34566-7343	9	B	ST GRY					68	67			64	63					59	58					55	54			
						73					32		30	29	28	27				39	38					35				
											15		13	12			10	9			6		4				17			
SALEABLE	NOT APPLICABLE	34566-7353	9	C	BLUE				69		67	66		64			62			60				57		55	54			
						52	51	50		48	47	46	45	44			42						37			35	34	33		
						73					32				28	27	26									19	18	17		
										16	15	14	13	12	11	10	9	8	7											
SALEABLE	NOT APPLICABLE	34566-7363	0	B	ST GRY	72		70		68							62	61	60	59							55			
						52						46		44	43			41	40											
						73					16	15	14							8					4			17		
SALEABLE	NOT APPLICABLE	34566-7373	0	A	BLACK	72	71	70	69	68		66	65	64				61	60					57	56		54	53		
						52	51	50	49	48		46	45	44	43	42		40	39	38	37	36				34	33			
						73						31	30	29	28		26	25		23	22	21	20							
											15	14	13	12			9		7	6	5	4				2				
SALEABLE	NOT APPLICABLE	34566-7383	0	C	BLUE		71	70			67	66	65	64				61	60					57			54			
						52	51	50	49	48	47		45	44			41						37				34	33		
						73					32				28	27		25										17		
										16	15	14	13	12	11	10	9	8	7											
SALEABLE	NOT APPLICABLE	34566-7393	0	B	ST GRY	72											62	61									55			
						52				48	47	46		44	43				40											
						73																					20	19	18	
										16	15	14												4						
SALEABLE	NOT APPLICABLE	34566-7413	0	A	BLACK	72	71	70	69	68		66	65	64	63			61	60					57	56		54	53		
							51	50	49	48		46	45	44	43	42		40	39	38	37	36				34	33			
						73					32	31	30	29	28		26	25		23	22	21	20							
											15	14	13	12			9		7	6	5	4					2			

STATUS	GM PART #	HRNS CONN ASSY				TPA	GROMMET CAP																				
		MATERIAL/PART	WIRE DRESS OPTION	KEY OPTION Fp	COLOR OPTION Fp	NUMBERS INDICATE CAVITIES OPEN FOR CIRCUITS																					
		NUMBER				Fp																					
SALEABLE	NOT APPLICABLE	34566-7423	0	C	BLUE	70	69	67	64	61	60	57	54	52	51	50	49	48	47	46	45	44	27	25	37	34	33
						73	16	15	14	13	12	11	10	9	8	7	18	17									
						72	68	66	65	64	63	62	61	60	59	55											
SALEABLE	NOT APPLICABLE	34566-7433	0	B	ST GRAY	72	71	70	69	68	66	65	64	63	62	61	60	59	55								
						52	48	47	46	44	43	41	40	38	37	36	35										
						73	16	15	14	30	20	19	18	17													
SALEABLE	NOT APPLICABLE	34566-7443	0	A	BLACK	72	71	70	69	68	66	65	64	63	62	61	60	57	56	54							
						52	51	50	49	48	46	45	44	43	42	40	39	38	37	36	34						
						73	31	30	29	28	26	25	23	22	21	20	2										
SALEABLE	NOT APPLICABLE	34566-7453	0	C	BLUE	71	70	67	66	65	64	61	60	58	57	54											
						52	51	50	49	48	47	45	44	41	38	37	34	33									
						73	32	28	27	25	18	17															
SALEABLE	NOT APPLICABLE	34566-7463	0	B	ST GRAY	72	68	66	65	64	62	61	55														
						52	48	47	46	43	40	22	21	20	19	18											
						73	16	15	14	30	8	6	4	2													
SALEABLE	NOT APPLICABLE	34566-7473	0	B	ST GRAY	72	68	67	63	62	61	55															
						52	48	47	46	43	40	22	21	20	19	18											
						73	16	14	11	8	6	4															
SALEABLE	NOT APPLICABLE	34566-7483	0	B	ST GRAY	72	68	66	65	64	62	61	55														
						52	48	47	46	43	40	22	21	20	19	18	17										
						73	16	15	14	30	8	6	4	2													
SALEABLE	NOT APPLICABLE	34566-7493	0	C	BLUE	69	67	64	62	60	57	55	54														
						52	51	50	48	47	46	45	44	42	37	35	34	33									
						73	32	28	27	26	19	18	17														
SALEABLE	NOT APPLICABLE	34566-7513	9	A	BLACK	72	71	70	69	68	66	65	64	63	61	60	57	56	54	53							
						52	51	50	49	48	46	45	44	43	40	39	38	37	36	34	33						
						73	32	31	30	29	28	23	22	21	20	7	6	5	4	2							
SALEABLE	NOT APPLICABLE	34566-7523	0	A	BLACK	72	64	62	61	59	58	57	56	55	54												
						52	51	48	47	46	45	43	41	40	37	33											
						73	32	30	29	27	26	25	24	20	16	15	13	11	10	9	4						
SALEABLE	NOT APPLICABLE	34566-7533	0	G	BLUE	80	79	78	71	70	67	60	59	58	57	54	51	50	49	48	47	45	44	42	41		
						40	39	37	36	34	33	32	30	29	28	27	25	24	23	22	21						
						20	19	18	13	12	11	9	8	5	3	2	1										
SALEABLE	NOT APPLICABLE	34566-7543 SAME AS P/N 34566-1553	0	A	BLACK	73																					
SALEABLE	NOT APPLICABLE	34566-7553 SAME AS P/N 34566-1983	0	B	ST GRAY	73																					
SALEABLE	NOT APPLICABLE	34566-7563 SAME AS P/N 34566-1993	0	C	BLUE	73																					
SALEABLE	NOT APPLICABLE	34566-7573	0	B	ST GRAY	72	70	68	62	61	55																
						52	48	47	46	43	40	22	21	20	19	18	17										
						73	16	15	14	30	8	6	4	2													

STATUS	GM PART #	HRNS CONN ASSY				TPA	GROMMET CAP																					
		MATERIAL/PART	WIRE DRESS OPTION	KEY OPTION Fp	COLOR OPTION Fp	NUMBERS INDICATE CAVITIES OPEN FOR CIRCUITS Fp																						
		NUMBER																										
SALEABLE	NOT APPLICABLE	34566-7583	9	A	BLACK	72		70			67				63			60	59	58	57							
						52				48	47	46			43	42		40	39	38	37							
						73				16	15	14	13	12	11		9		7								2	1
SALEABLE	NOT APPLICABLE	34566-7593	9	A	BLACK	72		70	69	68				64		62	61		59	58	57	56	55	54	53			
						52	51	50		48	47	46	45		43		41	40			37			35			33	
						73				32		30	29		27	26	25	24					20	19	18			
SALEABLE	TBD	34822-0093	9	A	BLACK		63	62	61	60	59				54	53		51		49	66							
							47							38	37		35		33			20	19	18	17			
						65								15	14	13				28		25		8	7			
SALEABLE	TBD	34822-0103	0	A	BLACK		63						58	57	56	55	54	53		51		49	66					
							47									41	40		38	37		35		33				
						65												28	27	26	25			22				18
SALEABLE	TBD	34822-0113	9	A	BLACK				61	60	59	58		56	55				51		49	66						
																												17
						65															10		8					
SALEABLE	NOT APPLICABLE	34822-0123	9	C	BLUE	64	63	62	61	60					55	54												
						48	47	46	45					42			39		36	35								
						65								31				27									19	
SALEABLE	NOT APPLICABLE	34566-7613	9	H	ST GRAY	80	79	78			75				71	70			67									
						60	59		57				54			51	50	49	48	47		45	44		42	41		
						40	39		37	36			34	33	32		30	29	28	27		25	24		23	22	21	
SALEABLE	NOT APPLICABLE	34566-7623	9	G	BLUE	20		18					13	12	11		9	8			5		3	2	1			
						80	79	78			75				71	70			67									
						60	59	58	57				54			51	50	49	48	47		45	44		42	41		
SALEABLE	TBD	34822-0133	0	C	BLUE	40	39		37	36			34	33	32		30	29	28	27		25	24	23	22	21		
						20	19	18						13	12	11		9	8			5		3	2	1		
						65								16						10				6		4		
SALEABLE	NOT APPLICABLE	34566-7633	9	A	BLACK	64	63	62	61	60					55	54												
						48	47	46	45					42			39		36	35								
						65								31				27									19	
SALEABLE	NOT APPLICABLE	34566-7643	9	B	ST GRAY					68	67			64				59	58									
														46	45					39	38							
						73				32		30	29	28	27					23	22							17
SALEABLE	TBD	34822-0143	0	A	BLACK				61	60	59	58		56	55				51		49	66						
																												17
						65								32														
SALEABLE	NOT APPLICABLE	34566-7653	0	B	ST GRAY	72		70							62	61							55					
						52				48	47	46			43		40											
						73				16	15	14										22	21	20	19	18		
SALEABLE	NOT APPLICABLE	34566-7663	0	B	ST GRAY					68					62	61	60	59					55					
						52				48	47	46		44	43		41	40		38	37	36	35				33	
						73								30							22	21	20	19	18	17		
SALEABLE	NOT APPLICABLE	34566-7673	0	C	BLUE		71	70	69		67	66	65	64			61	60	59	58	57			54				
						52	51	50	49	48	47	46	45	44			41	40		39	38	37				34	33	
						73				32						28	27		25		23						18	17

STATUS	GM PART #	HRNS CONN ASSY			TPA	GROMMET CAP																			
		MATERIAL/PART	WIRE DRESS OPTION	KEY OPTION Fp	COLOR OPTION Fp	NUMBERS INDICATE CAVITIES OPEN FOR CIRCUITS																			
		NUMBER				Fp																			
SALEABLE	NOT APPLICABLE	34566-7683	9	B	ST GRY	72	71	70	69	68	67	66	65	64	63	62	61	60	59		57	56	55		
						52	51	50	49	48	47	46	45	44	43		41	40	39	38	37	36	35	34	33
						73				32	31	30	29	28		26	25	24	23	22	21	20	19	18	17
SALEABLE	NOT APPLICABLE	34566-7693	9	A	BLACK	72								64		62	61			57	56	55	54		
						52	51					46	45		43			40			37		35	34	
						73				32		30	29		27		25				20				
SALEABLE	NOT APPLICABLE	34566-7713	9	A	BLACK	72								64		62	61			57	56	55	54		
						52	51			48		46	45		43		41	40		37		35	34		
						73				32		30	29		27		25			20					
SALEABLE	NOT APPLICABLE	34566-7723	9	A	BLACK	72								64		62	61			57	56	55	54		
						52	51			48		46	45		43		41	40		37		35	34		
						73				32		30	29		27		25			20					
SALEABLE	NOT APPLICABLE	34566-7723	9	A	BLACK	72								64		62	61			57	56	55	54		
						52	51			48		46	45		43		41	40		37		35	34		
						73				32		30	29		27		25			20					
SALEABLE	NOT APPLICABLE	34566-7733	9	A	BLACK	72								64		62	61			57	56	55	54		
						52	51			48		46	45		43		41	40		37		35	34		
						73				32		30	29		27		25			20					
SALEABLE	NOT APPLICABLE	34566-7743	0	C	BLUE	72		70		68	67	66			63	62			59		57				
						52	51		49	48	47	46		44			41	40	39		37	36	35	34	33
						73				32		30			27	26	25	24		22	21	20			
SALEABLE	NOT APPLICABLE	34566-7753	0	A	BLACK	72		70	69	68	67			64	63	62	61	60	59	58	57	56	55	54	
						52	51	50	49	48		45	44	43	42	41		39	38	37	36		19	18	
						73				32	31	29	28	27	26	25								3	
SALEABLE	NOT APPLICABLE	34566-7763	0	F	NATURAL	72																			
						52																			
						73																			
SALEABLE	NOT APPLICABLE	34566-7773	0	B	ST GRY	72		70			67				63	62	61	60	59						
						52					46			43		41	40								
						73				16		14			11				6		4				
SALEABLE	TBD	34822-0153	9	A	BLACK	63	62	61	60	59					54	53		51		49	66				
						47								38	37		35		33						
						65								28			25		22	21	20	19	18	17	
SALEABLE	NOT APPLICABLE	34566-7783	0	A	BLACK	72	71	70	69	68		66	65	64	63			60		57	56		54		
						52	51	50	49	48		46	45	44	43	42	41	40	39	38	37	36		34	
						73				32	31	30	29	28		26	25		23	22	21			2	1
SALEABLE	NOT APPLICABLE	34566-7793	0	A	BLACK	72		70		67	66	65			63			60	59	58	57	56	55		
						52	51		49	48	47	46	45		43	42		40	39	38	37	36	35		
						73								28	27			23	22	21			18	17	
SALEABLE	NOT APPLICABLE	34566-7813	0	A	BLACK	72		70	69	68	67				63	62	61	60	59	58	57	56	55	54	
						52	51	50	49	48		44	43	42	41	40	39	38	37	36		34			
						73				32		29	28	27	26	25			21		19	18			
SALEABLE	NOT APPLICABLE	34566-7823	0	B	ST GRY	72				68	67				63	62	61	60	59						
						52				48	47	46		44	43		41	40		38	37	36	35		
						73						30			27					20	19	18			
SALEABLE	NOT APPLICABLE	34566-7833	0	B	ST GRY	72	71	70	69	68	67	66	65	64	63		61	60	59		57	56	55		
						52	51	50	49	48	47	46	45	44	43		41	40	39	38	37	36	35	34	33
						73				32	31	30	29	28		26	25	24	23	22	21	20	19	18	17

STATUS	GM PART #	HRNS CONN ASSY			TPA	GROMMET CAP																							
		MATERIAL/PART	WIRE DRESS OPTION	KEY OPTION Fp		COLOR OPTION Fp	NUMBERS INDICATE CAVITIES OPEN FOR CIRCUITS																						
		NUMBER					Fp																						
SALEABLE	NOT APPLICABLE	34566-7843	9	C	BLUE	71	67	65	64	62	61	60	58	57	54	52	51	50	49	48	47	45	44	42	41	38	37	34	33
						73				16	15	14	13	12	11	10	9	28	27	26	25	18							
						72	71	70	69	68	67	66	64	63	62	59	57	56	55	54									
SALEABLE	NOT APPLICABLE	34566-7853	9	C	BLUE	72	71	70	69	67	66	64	39	38	54														
						73				16	15	14	13	12	11	10	9	8	7	6	5	17							
						52	51	50	49	48	47	46	44	43	42	41	40	39	38	37	36	35	34	33					
SALEABLE	NOT APPLICABLE	34566-7863	9	C	BLUE	72	71	70	69	68	67	66	63	62	59	57	53												
						73				32	31	30	27	26	25	24	23	22	21	36	35	34	33						
						52	51	50	49	48	47	46	44	43	42	41	40	39	38	37	36	35	34	33					
SALEABLE	NOT APPLICABLE	34566-7873	9	A	BLACK	71	69	65	64	61	60	58	56	55	54														
						73				16	15	14	13	12	11	10	9	8	7	6	5	4	2						
						52	51	50	49	48	47	46	44	43	42	41	40	39	38	37	36	35	34	33					
SALEABLE	NOT APPLICABLE	34566-7883	9	A	BLACK	72	71	70	69	68	67	66	65	61	60	58	56	55	54										
						73				16	15	14	13	12	11	10	9	8	7	6	5	4	2						
						52	51	50	49	48	47	46	45	44	43	42	41	40	39	38	37	36	35	34	33				
SALEABLE	NOT APPLICABLE	34566-7893	9	A	BLACK	72	71	70	69	68	67	66	65	64	63	61	60	57	56	54	53								
						73				32	31	30	29	28	27	26	25	24	23	22	21	20	34	33					
						52	51	50	49	48	47	46	45	44	43	42	41	40	39	38	37	36	35	34	33				
SALEABLE	TBD	34822-0163	0	A	BLACK	64	63	65	64	54	53	51	49	66															
						65				15	14	13	12	11	10	9	8	7	6	5	4	2							
						52	51	50	49	48	47	46	45	44	43	42	41	40	39	38	37	36	35	34	33				
SALEABLE	NOT APPLICABLE	34566-7913	9	G	BLUE	80	79	78	75	71	70	67	66	61	60	57	56	54	53										
						73				16	15	14	13	12	11	10	9	8	7	6	5	4	2						
						52	51	50	49	48	47	46	45	44	43	42	41	40	39	38	37	36	35	34	33				
SALEABLE	NOT APPLICABLE	34566-7923	0	C	BLUE	72	71	70	69	68	67	66	64	61	60	57	56	54											
						73				32	31	30	29	28	27	26	25	24	23	22	21	20	34	33					
						52	51	50	49	48	47	46	45	44	43	42	41	40	39	38	37	36	35	34	33				
SALEABLE	NOT APPLICABLE	34566-7933	0	A	BLACK	72	71	70	69	68	67	66	65	64	63	61	60	57	56	54	53								
						73				16	15	14	13	12	11	10	9	8	7	6	5	4	2						
						52	51	50	49	48	47	46	45	44	43	42	41	40	39	38	37	36	35	34	33				
SALEABLE	NOT APPLICABLE	34566-7943	0	B	ST GRAY	72	71	70	69	68	67	66	64	61	60	59	55												
						73				16	15	14	13	12	11	10	9	8	7	6	5	4	2						
						52	51	50	49	48	47	46	45	44	43	42	41	40	39	38	37	36	35	34	33				
SALEABLE	NOT APPLICABLE	34566-7953	0	B	ST GRAY	72	71	70	69	68	67	66	64	61	60	59	55												
						73				16	15	14	13	12	11	10	9	8	7	6	5	4	2						
						52	51	50	49	48	47	46	45	44	43	42	41	40	39	38	37	36	35	34	33				
SALEABLE	NOT APPLICABLE	34566-7963	9	A	BLACK	72	71	70	69	68	67	66	65	64	63	61	60	57	56	54	53								
						73				16	15	14	13	12	11	10	9	8	7	6	5	4	2						
						52	51	50	49	48	47	46	45	44	43	42	41	40	39	38	37	36	35	34	33				
SALEABLE	NOT APPLICABLE	34566-7973	9	B	ST GRAY	72	71	70	69	68	67	66	64	61	60	59	55												
						73				16	15	14	13	12	11	10	9	8	7	6	5	4	2						
						52	51	50	49	48	47	46	45	44	43	42	41	40	39	38	37	36	35	34	33				
SALEABLE	NOT APPLICABLE	34566-7983	9	B	ST GRAY	72	71	70	69	68	67	66	64	61	60	59	55												
						73				16	15	14	13	12	11	10	9	8	7	6	5	4	2						
						52	51	50	49	48	47	46	45	44	43	42	41	40	39	38	37	36	35	34	33				

STATUS	GM PART #	HRNS CONN ASSY				TPA	GROMMET CAP																					
		MATERIAL/PART	WIRE DRESS OPTION	KEY OPTION	COLOR OPTION	NUMBERS INDICATE CAVITIES OPEN FOR CIRCUITS																						
		NUMBER		Fp	Fp	Fp																						
SALEABLE	NOT APPLICABLE	34566-7993	9	C	BLUE			70	69		67	66		64			61	60			57			54				
						52	51	50	49	48	47	46	45	44		41			37							34	33	
						73				32				28	27		25										18	17
SALEABLE	NOT APPLICABLE	34566-8013	9	C	BLUE		71				67		65	64			61	60	59		57			54				
						52	51	50		48	47		45	44		41		39		37						34	33	
						73				32				28	27		25		23								18	
SALEABLE	TBD	34822-0173	9	A	BLACK	64					58	57	56	55	54		52		50		66							
						48		46	45	44	43	42	41	40			36	34										
						65				32	31	30	29		27	26		24	23									
SALEABLE	NOT APPLICABLE	34566-8023	9	C	BLUE	72			69	68					63	62			59		56	55		53				
											46			43	42		40	39			36	35						
						73					31	30	29			26		24	23	22	21	20	19					
SALEABLE	NOT APPLICABLE	34566-8033	9	B	ST GRAY		71	70	69		67	66	65	64	63					58	57	56		54				
							51	50	49				45		42				39							34	33	
						73				32	31		29	28	27	26	25	24	23									
SALEABLE	NOT APPLICABLE	34566-8043	9	A	BLACK						67					62	61		59	58			55	53				
											47				42										35	33		
						73									27	26	25	24				20	19	18	17			
SALEABLE	NOT APPLICABLE	34566-8053	9	A	BLACK	72				68	67	66						59										
											46						40	38			35	33						
						73					31						25	23	22	21	20	19						
SALEABLE	NOT APPLICABLE	34566-8063	9	C	BLUE		71		69				65	64			61	60		58		56	55	54				
								50				45		43	42				38			35						
						73					31		29	28					23			19	18	17				
SALEABLE	NOT APPLICABLE	34566-8073	9	B	ST GRAY				69				65	64	63													
									49			45	44	43														
						73									12	11		9		7	6	5	4					
SALEABLE	NOT APPLICABLE	34566-8083	9	B	ST GRAY										62			59	58				54	53				
															42			39										
						73										27												
SALEABLE	NOT APPLICABLE	34566-8093	9	A	BLACK		71		69	68		66	65	64		62	61							54	53			
								50	49			45	44			41									34	33		
						73				32	31	30	29		26	25	24	23			20	19						
SALEABLE	NOT APPLICABLE	34566-8113	9	C	BLUE					68					63	62	61	60	59	58	57		55	53				
										48					43	42	41	40			37	36	35		33			
						73				32					27			24			20	19	18					
SALEABLE	NOT APPLICABLE	34566-8123	0	G	BLUE	80	79						73	72		70	69	68	67	66	65	64		62	61			
							59					53	52							46			44		42	41		
										36	35	34										25	24	23	22	21		
SALEABLE	NOT APPLICABLE	34566-8133	0	G	BLUE		19			16	15	14																
						80	79	78	77		75			72	71	70	69	68		66								
						60	59	58	57	56	55		53		51	50	49	48	47	46	45	44						
SALEABLE	NOT APPLICABLE	34566-8143	0	G	BLUE	40			37	36	35	34		32	31	30	29	28		26		24	23	22	21			
							19	18	17						11						4	3						
						80	79	78	77	76	75	74	73	72		70	69	68	67	66	65	64	63	62	61			
SALEABLE	NOT APPLICABLE	34566-8143	0	G	BLUE	60	59	58	57	56	55	54	53	52	51	50		48	47	46	45	44	43	42	41			
							39	38	37	36	35	34	33	32	31	30	29	28	27	26	25	24	23	22	21			
						20	19	18	17	16	15	14	13	12	11	10	9	8	7	6	5	4	3	2	1			



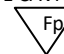
STATUS	GM PART #	HRNS CONN ASSY				TPA	GROMMET CAP																						
		MATERIAL/PART	WIRE DRESS OPTION	KEY OPTION	COLOR OPTION	NUMBERS INDICATE CAVITIES OPEN FOR CIRCUITS																							
		NUMBER		Fp	Fp	Fp																							
SALEABLE	NOT APPLICABLE	34566-8153	0	C	BLUE	72	71	70	69	68	67	66	65	64	63	62	61	60	59	58	57	56	55						
						52	51	50						28	27											35	34	33	
						73							16		14	13											3		
SALEABLE	NOT APPLICABLE	34566-8163	9	B	ST GRV					68	67			64	63														
											47	46	45	44	43				59	58							55	54	
						73								32	31	30	29	28	27					23	22				
SALEABLE	NOT APPLICABLE	34566-8173	0	B	ST GRV	72		70		68	67				63	62	61	60	59										
						52						46			43		41	40											
						73								16		14			11			8		6		22	21	20	19
SALEABLE	NOT APPLICABLE	34566-8183	9	H	ST GRV																								
SALEABLE	NOT APPLICABLE	34566-8193	0	G	BLUE		79	78	77	76	75	74			71				67		65		63						
						60	59	58	57	56	55	54			52						47		45		43				
						40		38	37						33	32	31	30	29			27	26						
						20		18	17										11	10	9	8	7	6	5	4	3	2	1
SALEABLE	NOT APPLICABLE	34566-8213	0	H	ST GRV								74	73					67		65	64	63	62	61				
SALEABLE	NOT APPLICABLE	34566-8223	9	A	BLACK																								
SALEABLE	NOT APPLICABLE	34566-8233	9	G	BLUE				77	76	75	74	73	72		70	69	68		66	65	64	63	62	61				
										56	55		53	52						46	45		43	42					
								38	37	36	35	34			31						26			23	22	21			
						20	19		17	16	15	14	13				10			7	6		4					1	
SALEABLE	NOT APPLICABLE	34566-8243	9	G	BLUE				77	76	75	74	73	72		70	69	68		66	65	64	63	62	61				
										56	55		53	52						46	45		43	42					
								38	37	36	35	34			31						26			23	22	21			
						20	19		17	16	15	14	13				10			7	6		4					1	
SALEABLE	NOT APPLICABLE	34566-8253	9	G	BLUE				77	76	75	74	73	72		70	69	68		66	65	64	63	62	61				
										56	55		53	52						46	45		43	42					
								38	37	36	35	34			31						26			23	22	21			
									17	16	15	14	13				10			7	6		4					1	
SALEABLE	NOT APPLICABLE	34566-8263	9	G	BLUE				77	76	75	74	73	72		70	69	68		66	65	64	63	62	61				
										56	55		53	52						46	45		43	42					
								38	37	36	35	34			31						26			23	22	21			
									17	16	15	14	13				10			7	6		4					1	
SALEABLE	NOT APPLICABLE	34566-8273	9	G	BLUE	80	79	78							71				67										
						60	59	58	57				54			51	50	49	48	47						44		41	
						40	39								33	32		30	29	28	27					25	24		
								18								12	11		9	8					5		3	2	
SALEABLE	NOT APPLICABLE	34566-8283	9	G	BLUE	80	79	78		76					71				67										
						60	59	58	57				54			51	50	49	48	47						44		41	
						40	39		37						33	32		30	29	28	27					25	24		
								18								12	11		9	8					5		3	2	
SALEABLE	NOT APPLICABLE	34566-8293	9	A	BLACK		71	70	69	68	67	66	65		63			60	59	58									
								50	49	48	47			44		42			39	38			36	35	34	33			
						73									31			28		26		24	23	22	21		19	18	17
SALEABLE	NOT APPLICABLE	34566-8313	9	A	BLACK		71	70	69		67	66	65		63			60	59	58									
								50	49	48	47			44		42	41		39	38			36	35	34	33			
						73									31			28		26		24	23	22	21		19	18	17

STATUS	GM PART #	HRNS CONN ASSY				TPA	GROMMET CAP																						
		MATERIAL/PART	WIRE DRESS OPTION	KEY OPTION ▽ Fp	COLOR OPTION ▽ Fp		NUMBERS INDICATE CAVITIES OPEN FOR CIRCUITS ▽ Fp																						
		NUMBER																											
SALEABLE	NOT APPLICABLE	34566-8323	9	A	BLACK			71	70	69	68	67	66	65		63			60					53					
									50	49			47			44		42			39	38			36		33		
								73						31			28		26		24	23	22	21		19	18	17	
SALEABLE	NOT APPLICABLE	34566-8333	9	A	BLACK			71	70	69	68	67	66	65		63			60					53					
									50	49	48	47			44		42	41		39	38			36		33			
								73						31			28		26		24	23	22	21		19	18	17	
SALEABLE	NOT APPLICABLE	34566-8343	9	A	BLACK			71	70	69	68	67	66	65		63			60	59					53				
									50	49		47			44		42		39	38			36	35	34	33			
								73						31			28		26		24	23	22	21		19	18	17	
SALEABLE	NOT APPLICABLE	34566-8353	9	A	BLACK		72									64		62	61				57	56	55	54	53		
							52	51						46	45		43		41	40				37					
								73						32		30	29		27		25					20			
SALEABLE	NOT APPLICABLE	34566-8363	9	A	BLACK		72								64		62	61				57	56	55	54	53			
							52	51						46	45		43		41	40				37					
								73						32		30	29		27		25				20				
SALEABLE	NOT APPLICABLE	34566-8373	9	A	BLACK		72								64		62	61				57	56	55	54	53			
							52	51						48		46	45		43		41	40			37		35	34	
								73						32		30	29		27		25				20				
SALEABLE	NOT APPLICABLE	34566-8383	9	A	BLACK		72								64		62	61				57	56	55	54	53			
							52	51						46	45		43		41	40				37					
								73						32		30	29		27		25				20				
SALEABLE	NOT APPLICABLE	34566-8393	0	A	BLACK				70								63	62						56	55	54	53		
							52	51			49	48						43							36	35	34	33	
								73						31	30	29	28	27			24	23	22	21	20	19	18	17	
SALEABLE	NOT APPLICABLE	34566-8413	0	A	BLACK				70								63	62						56	55	54	53		
							52	51			49	48						43							36	35	34	33	
								73						31	30	29	28	27			24	23	22	21	20	19	18	17	
SALEABLE	NOT APPLICABLE	34566-8423	0	C	BLUE					69							62	61	60					57		54			
							52	51	50	49	48			46	45	44		42	41					37			34	33	
								73						31	30	29	28	27		26	25								
SALEABLE	NOT APPLICABLE	34566-8433	0	H	ST GR Y			79	78	77	76	75	74	73					69							61			
							20															9					5		
SALEABLE	NOT APPLICABLE	34566-8443	0	C	BLUE			71	70									61	60	59	58	57			54				
							52	51	50		48	47		45	44			41		39	38	37				34	33		
								73						32			28	27		25		23					18	17	
SALEABLE	NOT APPLICABLE	34566-8453	0	A	BLACK		72	71	70	69	68		66	65	64	63			60				57	56		54			
							52	51	50	49	48		46	45	44	43	42		40	39	38	37	36				34	33	
								73						32	31	30	29	28				23	22	21	20				
SALEABLE	NOT APPLICABLE	34566-8463	0	B	ST GR Y				70		68							62	61	60	59				55				
							52				48	47	46		44	43			41	40			38	37	36	35			
								73						32		30								22	21	20	19	18	
SALEABLE	NOT APPLICABLE	34566-8473	0	C	BLUE			71	70								62	61	60				58	57		54			
							52	51	50	49	48	47		45	44			42	41			38	37			35	34	33	
								73						32			28	27		26	25					19	18	17	

STATUS	GM PART #	HRNS CONN ASSY				TPA	GROMMET CAP																						
		MATERIAL/PART	WIRE DRESS OPTION	KEY OPTION Fp	COLOR OPTION Fp	NUMBERS INDICATE CAVITIES OPEN FOR CIRCUITS																							
		NUMBER				Fp																							
SALEABLE	NOT APPLICABLE	34566-8483	0	A	BLACK	72	71	70	69	68		66	65	64	63		61	60			57	56		54	53				
						52	51	50	49	48		46	45	44	43	42		40	39	38	37	36		34	33				
						73				32	31	30	29	28					23	22	21	20			7	6	5	4	
SALEABLE	NOT APPLICABLE	34566-8493	0	B	ST GRAY	72		70		68	67					62	61	60	59				55						
						52				48	47	46		44	43			40											33
						73						30								22	21	20	19	18	17				
SALEABLE	NOT APPLICABLE	34566-8513	9	A	BLACK	72	71	70	69	68		66	65	64	63		61	60			57	56		54	53				
						52	51	50	49	48		46	45	44	43			40	39	38	37	36		34	33				
						73				32	31	30	29	28				24	23	22					7	6	5		2
SALEABLE	NOT APPLICABLE	34566-8523	9	B	ST GRAY	72		70		68						62	61						55						
						52				48	47	46			43			40											
						73						30								22	21	20	19	18	17				
SALEABLE	NOT APPLICABLE	34566-8533	9	C	BLUE			70			67	66	65	64			61	60			57			54					
						52	51	50	49	48	47		45	44			41			37						34	33		
						73				32				28	27			25										18	17
SALEABLE	NOT APPLICABLE	34566-8543	9	C	BLUE		71		69		67	66	65	64				60			57			54					
						52	51	50	49	48	47	46	45	44					37							34	33		
						73				32				28	27														
SALEABLE	NOT APPLICABLE	34566-8553	0	B	ST GRAY	72				68						62	61	60	59				55						
						52						46			43			41	40										
						73						16	15	14						8		6		4					
SALEABLE	NOT APPLICABLE	34566-8563	0	A	BLACK	72		70			67				63			60	59	58	57	56	55						
						52	51			48	47	46			43	42		40	39	38	37	36	35						
						73									28					22	21					18	17		
SALEABLE	NOT APPLICABLE	34566-8573	0	B	ST GRAY	72	71	70	69	68	67	66	65	64	63		61	60	59		57	56	55						
						52	51	50	49	48	47	46	45	44	43			41	40	39	38	37	36	35		33			
						73				32	31	30	29	28			26			24	23	22	21	20	19				
SALEABLE	NOT APPLICABLE	34566-8583	0	C	BLUE	72	71	70	69		67	66	65	64				60			57			54					
						52	51	50	49		47	46	45	44				40	39	38					34				
						73					31	30		28		26	25	24	23	22	21						17		
SALEABLE	NOT APPLICABLE	34566-8593	0	B	ST GRAY	72				68						62	61	60	59				55						
						52				48	47	46			43			41	40			38	37	36	35				
						73						30								22	21	20	19	18					
SALEABLE	TBD	34822-0183	0	A	BLACK	64	63	62	61	60	59					54	53		51		49	66							
																38	37		35		33								
						65													24	23	22	21	20	19	18	17			
SALEABLE	TBD	34822-0193	0	A	BLACK	64	63									54	53		51		49	66							
																38	37		35		33								
						65								28					24	23		21	20	19	18	17			
SALEABLE	TBD	34822-0203	0	A	BLACK	64	63	62	61	60	59					54	53		51		49	66							
																38	37		35		33								
						65								31			28			24	23	22	21	20	19	18	17		
SALEABLE	TBD	34822-0213	0	A	BLACK	64	63	62	61	60	59					54	53		51		49	66							
																38	37		35		33								
						65								31						24	23	22	21	20	19	18	17		

STATUS	GM PART #	HRNS CONN ASSY				TPA	GROMMET CAP																																																		
		MATERIAL/PART	WIRE DRESS OPTION	KEY OPTION Fp	COLOR OPTION Fp		NUMBERS INDICATE CAVITIES OPEN FOR CIRCUITS																																																		
		NUMBER																																																							
SALEABLE	NOT APPLICABLE	34566-8613	0	C	BLUE	71	70	67	66	65	64	61	60	59	58	57	54	52	51	50	48	47	45	44	27	25	23	37	38	34	33	73	32	16	15	14	13	12	11	10	9	8	7	20	19	18	17										
SALEABLE	NOT APPLICABLE	34566-8623	9	C	BLUE	71	70	67	66	65	64	61	60	59	58	57	54	52	51	50	48	47	45	44	27	25	23	37	38	34	33	73	32	31	68	48	32	31	63	62	61	59	58	57	56	55	4	3	2	1							
SALEABLE	NOT APPLICABLE	34566-8633	0	B	ST GRY	72	71	70	69	67	66	64	63	61	60	58	57	56	55	52	51	50	49	48	47	46	43	40	38	37	36	33	73	32	30	29	28	26	25	24	23	22	21	20	19	18	17										
SALEABLE	NOT APPLICABLE	34566-8643	0	C	BLUE	71	70	67	66	65	64	61	60	59	58	57	54	52	51	50	49	48	47	45	44	27	25	23	37	38	34	33	73	32	16	15	14	13	12	11	10	9	8	7	20	19	18	17									
SALEABLE	NOT APPLICABLE	34566-8653	9	C	BLUE	71	70	69	67	66	65	64	63	61	60	58	57	56	55	52	51	50	49	48	47	46	45	43	41	37	34	33	73	32	16	15	14	13	12	11	10	9	8	7	20	19	18	17									
SALEABLE	NOT APPLICABLE	34566-8663	0	B	ST GRY	72	71	70	69	67	66	64	63	61	60	58	57	56	55	52	51	50	49	48	47	46	43	40	38	37	36	33	73	32	30	29	28	26	25	24	23	22	21	20	19	18	17										
SALEABLE	NOT APPLICABLE	34822-0223	0	A	BLACK	64	63	62	61	60	59	54	53	51	49	49	66	65	31	28	24	23	22	21	20	19	18	17	15	14	13	8	7	6	5	4	3	2	1																		
SALEABLE	NOT APPLICABLE	34566-8673	0	F	NATURAL	72	71	70	69	68	67	66	63	62	59	57	53	52	51	49	48	47	46	44	41	40	39	37	36	35	34	33	73	32	15	14	13	10	9	8	6	5	4	2													
SALEABLE	NOT APPLICABLE	34566-8683	0	B	ST GRY	72	71	70	69	68	67	66	63	62	59	57	53	52	51	49	48	47	46	44	41	40	39	37	36	35	34	33	73	32	15	14	13	10	9	8	6	5	4	2													
SALEABLE	NOT APPLICABLE	34566-8693	0	A	BLACK	72	71	70	69	68	67	66	63	62	59	57	53	52	51	49	48	47	46	44	41	40	39	37	36	35	34	33	73	32	15	14	13	10	9	8	6	5	4	2													
SALEABLE	NOT APPLICABLE	34566-8713	9	B	ST GRY	72	71	70	69	68	67	66	63	62	59	57	53	52	51	49	48	47	46	44	41	40	39	37	36	35	34	33	73	32	16	15	14	13	12	11	10	9	8	7	6	5	4										
SALEABLE	NOT APPLICABLE	34566-8723	0	C	BLUE	71	70	66	64	61	60	57	54	52	51	50	49	48	47	45	44	27	25	23	37	38	34	33	73	32	16	15	14	13	12	11	10	9	8	7	20	19	18	17													
SALEABLE	NOT APPLICABLE	34566-8733	0	A	BLACK	72	71	70	69	68	67	66	65	64	63	62	59	57	56	54	52	51	50	49	48	47	46	45	44	43	42	40	39	38	37	36	34	73	32	31	30	29	28	27	26	25	24	23	22	21	20	19	18	17			
SALEABLE	NOT APPLICABLE	34566-8743	0	C	BLUE	72	71	70	69	68	67	66	65	64	63	62	59	57	56	54	52	51	50	49	48	47	46	44	39	38	37	36	34	73	32	16	15	14	13	12	11	10	9	8	7	6	5	4									
SALEABLE	NOT APPLICABLE	34566-8753	0	B	ST GRY	72	71	70	69	68	67	66	65	64	63	62	59	57	56	55	54	53	52	51	49	48	47	46	45	44	43	42	40	39	38	37	36	35	34	33	73	32	16	15	14	13	12	11	10	9	8	6	5	4	3	2	1

STATUS	GM PART #	HRNS CONN ASSY				TPA	GROMMET CAP																					
		MATERIAL/PART	WIRE DRESS OPTION	KEY OPTION	COLOR OPTION	NUMBERS INDICATE CAVITIES OPEN FOR CIRCUITS																						
		NUMBER		Fp	Fp	Fp																						
SALEABLE	NOT APPLICABLE	34566-8763	0	A	BLACK	72	71	70			67	66							59	58	57	56	55	54	53			
						52	51	50			47	46							39		37	36	35			18	17	
						73				32	31	30	29	28	27	26					8	7				3	2	1
SALEABLE	12672857	34822-0243	9	A	BLACK	64	63	62	61	60	59					54	53		51		49	66						
							47									38	37		35		33			20	19	18	17	
						65								28				25	24		22	21	20	19	18	17		
SALEABLE	NOT APPLICABLE	34822-0253	0	A	BLACK		63	62	61	60	59				54	53		49	66									
														38	37		35		33			20	19	18	17			
						65								15	14	13	12			8	7			4	3	2	1	
SALEABLE	NOT APPLICABLE	34822-0263	9	C	BLUE	64	63	62		60	59		57	56	55	54	53	52	51	50	49	66						
						48	47	46	45				42			39		37	36	35	34	33			20	19	18	17
						65				32		30	29	28	27	26	25	24	23	22	21			19	18	17		
SALEABLE	NOT APPLICABLE	34822-0273	9	A	BLACK	64	63								54	53		51		49	66							
							47									38	37		35		33			20	19	18	17	
						65								15	14	13	12			8	7			4	3	2	1	
SALEABLE	NOT APPLICABLE	34822-0283	0	A	BLACK				61	60	59	58		56	55				51		49	66						
													42														17	
						65				32										8							2	
SALEABLE	NOT APPLICABLE	34822-0293	0	A	BLACK	64	63								54	53		51		49	66							
							47									38	37		35		33			20	19	18	17	
						65								15	14	13	12			8	7			4	3	2	1	
SALEABLE	NOT APPLICABLE	34566-8773	9	B	ST GRAY	72		70		68					62	61	60	59					55					
						52				48	47	46			43			40										
						73						30									22	21	20	19	18	17		
SALEABLE	NOT APPLICABLE	34566-8783	9	A	BLACK	72	71	70	69	68		66	65	64	63		61	60		57	56		54	53				
						52	51	50	49	48		46	45	44	43		40	39	38	37	36		34	33				
						73				32	31	30	29	28	27	26			23	22	21					2		
SALEABLE	NOT APPLICABLE	34566-8793	9	C	BLUE		71	70			67	66	65				61	60		57			54					
						52	51	50	49	48	47		45	44			41			37			34	33				
						73				32				28	27		25							18	17			
SALEABLE	NOT APPLICABLE	34566-8813	9	B	ST GRAY	72	71	70	69	68	67		65	64	63		61	60	59		57	56	55	54	53			
						52	51	50	49	48	47	46	45	44	43	42		40	39		36	35	34	33				
						73				32	31	30	29	28	27	26	25	24	23	22	21		4	3	2			
SALEABLE	NOT APPLICABLE	34566-8823	9	C	BLUE																							
							71	70			67	66		64				60								54		
						52	51	50	49		47	46		44				40	39									
SALEABLE	NOT APPLICABLE	34566-8833	9	C	BLUE			70		68	67	66			63	62		59		57			54	53				
						52	51		49	48	47	46		44			41	40	39		37	36	35	34	33			
						73				32		30			27	26	25	24		22	21	20			2	1		
SALEABLE	NOT APPLICABLE	34566-8843	0	C	BLUE																							
							71	70	69		67	66		64				60								54		
						52	51	50	49		47	46		44			41		39	38								
SALEABLE	NOT APPLICABLE	34566-8853	0	B	ST GRAY					68	67				63	62	61	60	59				55					
						52				48	47	46		44	43		41	40		38	37	36	35					
						73						30			27					22	21	20	19	18				
				16		14						11			8		6		4				1					

STATUS	GM PART #	HRNS CONN ASSY			TPA	GROMMET CAP																							
		MATERIAL/PART	WIRE DRESS OPTION	KEY OPTION 		COLOR OPTION 	NUMBERS INDICATE CAVITIES OPEN FOR CIRCUITS 																						
		NUMBER																											
SALEABLE	NOT APPLICABLE	34566-8863	0	B	ST GR Y	72	71	70	69					64	63		61			58	57	56	55						
						52	51	50	49					32		30	29	28		26	25	24	23	22	21	20			33
						73				16		14	13	12	11	10	9	8	7	6	5	4							
SALEABLE	NOT APPLICABLE	34566-8873	0	B	ST GR Y	72	71	70	69					64	63		61			58	57	56	55						
						52	51	50	49					32	31	30	29	28		26	25	24	23	22	21	20			33
						73				16	15	14	13	12	11	10	9	8	7	6	5	4							
SALEABLE	NOT APPLICABLE	34566-8883	0	B	ST GR Y	72	71	70	69	68	67	66	65	64	63		61	60	59	58	57	56	55						
						52	51	50	49	48	47	46	45	44	43		41	40	39	38	37	36	35	34	33				
						73				32	31	30	29	28	27	26	25	24	23	22	21	20	19	18	17				
SALEABLE	NOT APPLICABLE	34566-8893	0	A	BLACK	72		70		67	66	65		63			60	59	58	57	56	55							
						52	51		49	48	47	46	45		43	42		40	39	38	37	36	35						
						73								28	27			23	22	21						18	17		
SALEABLE	NOT APPLICABLE	34566-8913	0	A	BLACK	72	71	70	69	68		66	65	64	63		60			57	56		54						
						52	51	50	49	48		46	45	44	43	42	41	40	39	38	37	36		34					
						73				32	31	30	29	28				23	22	21						2	1		
SALEABLE	NOT APPLICABLE	34566-8923	0	A	BLACK		71	70	69	68	67			64	63	62	61	60	59		57	56	55	54	53				
						52	51	50	49			46	45	44	43	42	41	40	39	38	37	36		34					
						73				32			29	28	27	26	25			21						18			
SALEABLE	NOT APPLICABLE	34566-8933	0	C	BLUE	72	71		69	68		66	65		63			59	58		56						53		
						73					31	30	29					24	23	22	21	20							
																			6	5	4	3	2	1					
SALEABLE	NOT APPLICABLE	34566-8943	0	B	ST GR Y	72				68					62	61						55							
						52						46			43			40											
						73				16	15	14						8		6		4	3	2					
SALEABLE	NOT APPLICABLE	34566-8953	9	C	BLUE	72	71	70	69		67	66		64			60						54						
						52	51	50	49		47	46		44			40	39	38										
						73				16	15	14	13	12	11	10	9	8	7	6	5								17
SALEABLE	NOT APPLICABLE	34566-8963	0	B	ST GR Y	72				48	47	46			62	61	60	59				55							
						52				48	47	46			43		41	40		38	37	36	35						
						73				16	15	14								22	21	20	19	18	17				
SALEABLE	NOT APPLICABLE	34566-8973	0	A	BLACK	72	71	70	69	68		66	65	64	63		60			57	56		54						
						52	51	50	49	48		46	45	44	43	42		40	39	38	37	36		34					
						73				32	31	30	29	28					23	22	21								17
SALEABLE	NOT APPLICABLE	34566-8983	0	C	BLUE		71	70		67	66			64			61	60				54							
						52	51	50	49	48	47		45	44		41			37					34	33				
						73				32				28	27		25								18	17			
SALEABLE	NOT APPLICABLE	34822-0303	0	A	BLACK																66								
						65																							
SALEABLE	NOT APPLICABLE	34822-0313	0	A	BLACK		63	62	61	60	59				54	53			49			66							
														38	37		35		33										
						65					31			28				24	23	22	21	20	19	18	17				
SALEABLE	NOT APPLICABLE	34566-8993	0	B	ST GR Y										62			58											
						73												41		38	37					19	18	17	
																													1

STATUS	GM PART #	HRNS CONN ASSY			TPA	GROMMET CAP																							
		MATERIAL/PART	WIRE DRESS OPTION	KEY OPTION Fp	COLOR OPTION Fp	NUMBERS INDICATE CAVITIES OPEN FOR CIRCUITS																							
		NUMBER				Fp																							
SALEABLE	NOT APPLICABLE	34566-9143	9	F	NATURAL	72	71	70			67	66	65	64	63	62	61	60	59			56	55	54	53				
						52	51	50	49	48	47	46	45	44			41	40	39			36	35	34					
						73				32	31		29	28	27	26	25	24	23	22	21	20							
SALEABLE	NOT APPLICABLE	34566-9153	9	B	ST GRY						66					62			58										
															41			38	37										
						73													8		5		20	19	18	17			
SALEABLE	NOT APPLICABLE	34566-9163	9	B	ST GRY					68	67	66	65			62		60	59				54	53					
										48	47	46	45	44		42	41	40	39					35	34				
						73					31				27										19	18	17		
SALEABLE	NOT APPLICABLE	34566-9173	0	B	ST GRY							65				62			58										
															41			38	37										
						73																		19	18	17			
SALEABLE	NOT APPLICABLE	34822-0363	9	C	BLUE				61			58																	
										44	43		41	40		38							20						
						65					31											5	4						
SALEABLE	NOT APPLICABLE	34822-0373	9	A	BLACK	64	63	62	61	60					55			52	51		49								
						48	47	46	45							38													
						65				32		30	29		27					22	21	20	19	18	17				
SALEABLE	NOT APPLICABLE	34822-0383	9	A	BLACK	64	63	62	61	60			57					52	51		49								
						48	47	46	45					40															
						65				32		30	29		27					22	21	20	19	18	17				
SALEABLE	NOT APPLICABLE	34822-0393	0	A	BLACK	64	63	62	61	60			57					52	51		49								
						48	47	46	45							38													
						65				32		30	29		27					22	21	20	19	18	17				
SALEABLE	NOT APPLICABLE	34822-0403	9	A	BLACK	64	63								54	53		51		49									
														38	37		35		33										
						65					31			28					22					20	19	18	17		
SALEABLE	NOT APPLICABLE	34822-0413	0	A	BLACK										54	53		51		49									
															38	37		35		33									
						65								28					22					20	19	18	17		
SALEABLE	NOT APPLICABLE	34822-0423	9	A	BLACK																								
										59	58	57	56		54	53		50											
						65				44	43	42	41	40	39		37	36	35	34	33								
SALEABLE	NOT APPLICABLE	34566-9183	9	B	ST GRY																								
										72	71	70	69	68	67		65	64	63	62	61	60	59		57	56	55	54	53
						73				52	51	50	49	48	47	46	45	44	43	42		40	39			36	35	34	33
SALEABLE	NOT APPLICABLE	34566-9193	9	F	NATURAL				69	68									58	57									
						73																				19	18	17	
SALEABLE	NOT APPLICABLE	34822-0433	0	A	BLACK	64	63	62		60	59		57	56	55	54	53	52	51	50	49								
						48	47	46	45				42			39		37	36	35	34	33							
						65				32		30	29	28	27	26	25	24	23	22	21	20	19	18	17				
SALEABLE	NOT APPLICABLE	34822-0443	0	A	BLACK	64	63	62		60	59		57	56	55	54	53	52	51	50	49								
						48	47	46	45				42			39		37	36	35	34	33							
						65				32	31	30	29	28	27	26	25	24	23	22	21	20	19	18	17				

STATUS	GM PART #	HRNS CONN ASSY			TPA	GROMMET CAP																				
		MATERIAL/PART	WIRE DRESS OPTION	KEY OPTION ▽ Fp	COLOR OPTION ▽ Fp	NUMBERS INDICATE CAVITIES OPEN FOR CIRCUITS ▽ Fp																				
		NUMBER																								
SALEABLE	NOT APPLICABLE	34822-0453	0	A	BLACK																					
						66																				
SALEABLE	NOT APPLICABLE	34566-9213	0	B	ST GRAY																					
						73																				
SALEABLE	NOT APPLICABLE	34566-9223	9	B	ST GRAY																					
						73																				
SALEABLE	NOT APPLICABLE	34566-9233	9	C	BLUE																					
						73																				
SALEABLE	NOT APPLICABLE	34566-9243	9	B	ST GRAY																					
						73																				
SALEABLE	NOT APPLICABLE	34566-9253	9	B	ST GRAY																					
						73																				
SALEABLE	NOT APPLICABLE	34566-9263	9	B	ST GRAY																					
						73																				
SALEABLE	NOT APPLICABLE	34822-0463	0	A	BLACK																					
						65																				
SALEABLE	NOT APPLICABLE	34822-0473	9	C	BLUE																					
						65																				
SALEABLE	NOT APPLICABLE	34822-0483	9	A	BLACK																					
						65																				
SALEABLE	NOT APPLICABLE	34566-9273	9	B	ST GRAY																					
						73																				
SALEABLE	NOT APPLICABLE	34822-0493	0	C	BLUE																					
						65																				
SALEABLE	NOT APPLICABLE	34566-9283	9	G	BLUE																					
						73																				
SALEABLE	NOT APPLICABLE	34566-9293	9	G	BLUE																					
						73																				
SALEABLE	NOT APPLICABLE	34566-9313	9	A	BLACK																					
						73																				

STATUS	GM PART #	HRNS CONN ASSY				TPA	GROMMET CAP																								
		MATERIAL/PART	WIRE DRESS OPTION	KEY OPTION Fp	COLOR OPTION Fp	NUMBERS INDICATE CAVITIES OPEN FOR CIRCUITS																									
		NUMBER				Fp																									
SALEABLE	NOT APPLICABLE	34566-9323	9	A	BLACK	72										64		62	61		59	58	57	56	55	54	53				
						52	51																								
						73				32																					
SALEABLE	NOT APPLICABLE	34566-9333	9	A	BLACK	72										64		62	61		59	58	57	56	55	54					
						52	51																								
						73				32																					
SALEABLE	NOT APPLICABLE	34566-9343	9	C	BLUE	72			70	69	68																				
										49																					
						73																									
SALEABLE	NOT APPLICABLE	34822-0503	0	A	BLACK	64			62	61	60	59	58																		
						48	47																								
						65																									
SALEABLE	NOT APPLICABLE	34822-0513	9	A	BLACK				63	62	61																				
						65																									
SALEABLE	NOT APPLICABLE	34566-9353	9	A	BLACK	72																									
						52	51																								
						73				32																					
SALEABLE	NOT APPLICABLE	34566-9363	9	A	BLACK	72																									
						52	51																								
						73				32																					
SALEABLE	NOT APPLICABLE	34566-9373	9	G	BLUE	80																									
						73																									
SALEABLE	NOT APPLICABLE	34566-9383	9	A	BLACK	72	71	70	69	68																					
						52	51	50																							
						73				32																					
SALEABLE	NOT APPLICABLE	34566-9393	0	B	ST GRAY	72	71	70	69	68	67																				
						52	51	50	49	48	47	46	45	44	43	42															
						73				32	31	30	29	28	27	26	25	24	23	22	21	20									
SALEABLE	NOT APPLICABLE	34566-9413	9	H	ST GRAY																										
						73																									
SALEABLE	NOT APPLICABLE	34566-9423	0	A	BLACK	72	71	70																							
						52	51	50																							
						73				32	31	30	29	28	27	26															
SALEABLE	NOT APPLICABLE	34566-9433	0	B	ST GRAY	72	71	70	69	68	67	66	65	64	63																
						52	51	50	49	48	47	46	45	44	43	42															
						73				32																					
SALEABLE	NOT APPLICABLE	34566-9443	9	B	ST GRAY	72	71	70	69	68	67																				
						73				32	31	30	29	28	27	26	25	24	23	22	21										
SALEABLE	NOT APPLICABLE	34566-9453	0	A	BLACK	72	71	70	69																						
						52	51																								
						73				32																					

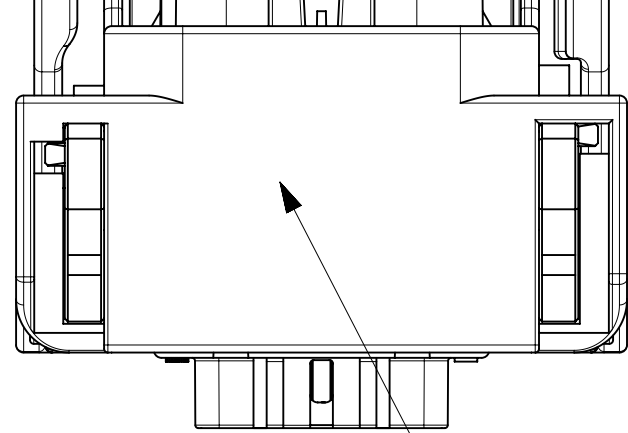
STATUS	GM PART #	HRNS CONN ASSY			TPA	GROMMET CAP																																				
		MATERIAL/PART	WIRE DRESS OPTION	KEY OPTION	COLOR OPTION	NUMBERS INDICATE CAVITIES OPEN FOR CIRCUITS																																				
		NUMBER		Fp	Fp	Fp																																				
SALEABLE	NOT APPLICABLE	34566-9463	0	G	BLUE	80	79	78			75									66	65	64								46	25	24		43	42	41						
								59												30						26	25	24								22	21					
								39	38	37												12			8	7	6	5														
SALEABLE	NOT APPLICABLE	34566-9473	0	G	BLUE	80	79	78			75																				66	65	64									
								59							53																		46				43	42	41			
								39	38	37																									26	25	24				22	21
SALEABLE	NOT APPLICABLE	34566-9483	0	G	BLUE	80	79	78			75																				66	65	64									
								59																									46				43	42	41			
								39	38	37																									26	25	24				22	21
SALEABLE	NOT APPLICABLE	34566-9493	0	G	BLUE	80	79	78			75																				66	65	64									
								59																									46				43	42	41			
								39	38	37																									26	25	24				22	21
SALEABLE	NOT APPLICABLE	34566-9513	0	G	BLUE	80	79	78	77	76	75	74	73	72	71	70	69	68	67	66	65	64	63	62	61																	
								59	58	57	56	55	54	53	52	51	50	49	48															46				43	42	41		
								39	38	37																									26	25	24				22	21
SALEABLE	NOT APPLICABLE	34566-9523	0	G	BLUE	80	79	78			75																				66	65	64									
								59			57				53																			46				43	42	41		
								39	38	37				35		33																			26	25	24				22	21
SALEABLE	NOT APPLICABLE	34822-0523	0	C	BLUE	64	63	62		60	59			57	56	55	54	53	52	51	50	49	66																			
								47	46	45				42					39																					19	18	17
							65					32		30	29	28	27	26	25	24	23	22																				
SALEABLE	NOT APPLICABLE	34566-9543	0	A	BLACK				49	48	47	46	45	44	43			40			38	37	36															34				
							73					32	31		29	28	27		25	24	23	22																20	19	18	17	
										16	15					12				10	9												6	5							2	1
SALEABLE	NOT APPLICABLE	34566-9553	0	C	BLUE								66	65	64	63	62		60	59		57	56	55	54	53																
							52	51	50	49	48	47	46	45					42					39		37	36	35	34	33												
							73					32		30	29	28	27	26	25	24	23	22																		19	18	17
SALEABLE	NOT APPLICABLE	34566-9563	0	C	BLUE	72	71	70	69		67	66	65	64	63	62			60	59		57	56	55	54	53																
							52	51	50	49	48	47	46	45	44							40	39	38																		
							73					32		30	29	28	27	26	25	24	23	22																				
SALEABLE	NOT APPLICABLE	34566-9573	0	B	ST GRAY	72	71	70	69	68	67		65	64	63			61	60	59		57	56	55	54	53																
							52	51	50	49	48	47	46	45	44	43	42				40	39																				
							73					32	31	30	29	28	27	26	25	24	23	22	21																			
SALEABLE	NOT APPLICABLE	34566-9583	0	B	ST GRAY	72	71	70	69	68	67	66	65	64	63			61	60	59		57	56	55	54	53																
							52	51	50	49	48	47	46	45	44	43									40	39	38	37	36	35	34	33										
							73					32	31	30	29	28		26		24	23	22	21																			
SALEABLE	NOT APPLICABLE	34566-9593	0	A	BLACK	72		70			67							60	59	58	57	56	55																			
							52	51			48	47																														
							73																																			
SALEABLE	NOT APPLICABLE	34566-9613	0	C	BLUE		71	70	69		67	66	65	64							60																					
							52	51	50	49		47	46	45	44																											
							73					32		30	29	28		26	25	24	23	22	21	20	19	18	17															
SALEABLE	NOT APPLICABLE	34566-9623	9	B	ST GRAY	72	71	70						64	63		61			58	57	56	55																			
							52	51	50																																	
							73					32		30	29	28		26	25	24	23	22	21	20																		

STATUS	GM PART #	HRNS CONN ASSY			TPA	GROMMET CAP																							
		MATERIAL/PART	WIRE DRESS OPTION	KEY OPTION Fp	COLOR OPTION Fp	NUMBERS INDICATE CAVITIES OPEN FOR CIRCUITS																							
		NUMBER				Fp																							
SALEABLE	NOT APPLICABLE	34566-9633	9	B	ST GRAY	72	71	70	69	68	67		65	64	63		61	60	59		57	56	55	54	53				
						52	51	50	49	48	47	46	45	44	43	42		40	39			36	35	34	33				
						73				16	15	14	13	12	11	10	9	8	7	6					3	2			
SALEABLE	NOT APPLICABLE	34566-9643	9	A	BLACK				69					64	63		61	59											
						52				48				44	43		41		39	38				35	34				
						73							30	29													2		
SALEABLE	NOT APPLICABLE	34566-9653	9	G	BLUE	80													66	65									
							59		57																				
							39									30													
SALEABLE	NOT APPLICABLE	34566-9663	0	B	ST GRAY	72	71	70	69	68	67	66	65	64	63		61			58	57	56	55	54	53				
						52	51	50	49	48	47	46	45	44				40				37	36	35	34	33			
						73				32		30	29	28		26	25	24				21						1	
SALEABLE	NOT APPLICABLE	34822-0533	9	C	BLUE	64	63			60	59		57	56	55		53	52	51	50	49	66							
						48	47	46	45			42			39	38		36	35	34	33				20		18	17	
						65				32		30	29	28	27	26	25	24	23	22							3	2	1
SALEABLE	NOT APPLICABLE	34822-0543	0	A	BLACK	64	63	62	61	60	59					54	53		51		49	66							
							47									38	37		35		33				20	19	18	17	
						65								28			25	24		22	21	20	19	18	17				
SALEABLE	NOT APPLICABLE	34822-0553	0	A	BLACK	64	63								54	53		51		49	66								
														38	37		35		33				20	19	18	17			
						65					31			28				24	23		21	20	19	18	17				
SALEABLE	NOT APPLICABLE	34822-0563	0	C	BLUE	64	63	62		60	59		57	56	55	54	53	52	51	50	49	66							
						48	47	46	45			42			39		37	36	35	34	33				19	18	17		
						65				32		30	29	28	27	26		24	23	22							3	2	1
SALEABLE	NOT APPLICABLE	34566-9673	0	C	BLUE	72	71	70	69		67	66	65	64				60			56			54					
						52	51	50	49		47	46	45	44				40	39	38					34				
						73					31	30		28		26	25	24	23	22	21	20							17
SALEABLE	NOT APPLICABLE	34566-9683	0	B	ST GRAY	72	71	70	69	68	67	66	65	64	63		61	60			57	56	55	54					
						52	51	50	49	48	47	46	45	44	43		41	40		38	37	36	35			33			
						73				32	31	30	29	28		26		24	23	22	21	20	19						1
SALEABLE	NOT APPLICABLE	34566-9693	0	A	BLACK	72		70			67					63			60	59	58	57	56	55	53				
						52	51			48	47				43	42		40	39	38	37	36	35			18	17		
						73									12	11												2	1
SALEABLE	NOT APPLICABLE	34566-9713	0	B	ST GRAY					68	67	66	65	64					59	58	57		55	54	53				
							51	50	49	48		46	45		43	42		40	39	38	37			35			33		
						73				32	31	30				26		24	23	22		20							2
SALEABLE	NOT APPLICABLE	34566-9723	0	B	ST GRAY	72	71	70	69	68	67	66	65	64	63		61			58	57	56	55						
						52	51	50	49	48	47	46	45	44	43		41	40			37	36					33		
						73				32		30	29	28		26	25	24			21		19						
SALEABLE	NOT APPLICABLE	34566-9733	0	A	BLACK	72	71	70			67	66							59						53				
						52	51	50			47	46							39		37		35				33		
						73							30	29	28	27	26					21						17	
SALEABLE	NOT APPLICABLE	34822-0573	0	A	BLACK	64	63									54	53		51		49	66							
															38	37		35		33						20	19	18	17
						65								28				8	7								4	3	2

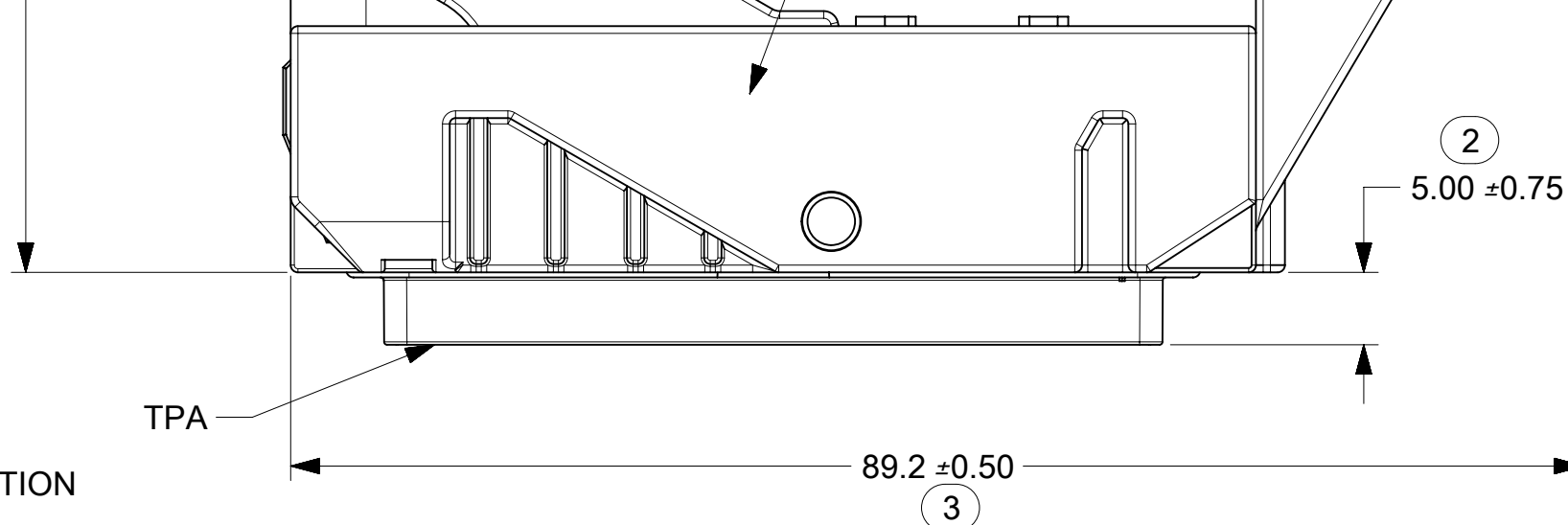
STATUS	GM PART #	HRNS CONN ASSY			TPA	GROMMET CAP																					
		MATERIAL/PART	WIRE DRESS OPTION	KEY OPTION	COLOR OPTION	NUMBERS INDICATE CAVITIES OPEN FOR CIRCUITS																					
		NUMBER		▽ Fp	▽ Fp	▽ Fp																					
SALEABLE	NOT APPLICABLE	34822-0653	0	A	BLACK	64	63	62	61		59					54	53				49	66					
											31		28			38	37	24	35		22	21	20	19	18	17	
						65					15	14	13	12				8	7					4	3	2	1
SALEABLE	NOT APPLICABLE	34566-9833	9	B	ST GRAY	72	71	70	69	68	67			64	63		61			58	57	56	55	54	53		
						52	51	50	49	48	47			44	43		41			38	37	36				33	
						73					32		30	29	28		26	25	24	23	22	21	20				
SALEABLE	NOT APPLICABLE	34566-9843	9	A	BLACK	72	71	70			67	66	65	64	63	62	61		59				55	54	53		
						52	51	50			47	46	45	44	43	42	41	40	39		37	36	35	34	33		
						73							30	29												18	17
SALEABLE	NOT APPLICABLE	34566-9853	9	B	ST GRAY	72	71	70	69	68	67			65	64	63	62	61	60	59	58	57	56	55	54	53	
						52	51	50	49	48	47	46	45	44	43	42		40	39				36	35	34	33	
						73					32	31	30	29	28	27	26	25	24	23	22	21	20				
SALEABLE	NOT APPLICABLE	34566-9863	0	B	ST GRAY	72	71	70	69	68	67			65	64	63	62	61	60	59		57	56	55	54	53	
						52	51	50	49	48	47	46	45	44	43	42		40	39				36	35	34	33	
						73					32	31	30	29	28	27	26	25	24	23	22	21					
SALEABLE	NOT APPLICABLE	34566-0004	0	A	BLACK	72	71	70	69		67			64	63		61	60	59		57	56	55	54	53		
						52	51			48			45	44	43		41	40	39	38	37	36	35	34	33		
						73						31	30	29		27	26	25			22				19	18	
SALEABLE	NOT APPLICABLE	34566-0014	0	G	BLUE	80	79	78	77		75								66	65	64		62				
							59		57										46				43	42	41		
							39	38	37		35		33	32		30				26	25	24			22	21	
SALEABLE	NOT APPLICABLE	34566-0024	0	G	BLUE	20		18	17	16	15			12			8	7	6	5		3	2	1			
SALEABLE	NOT APPLICABLE	34566-0034	0	G	BLUE	80	79	78			75							66	65	64		62					
							59		57				53						46				43	42	41		
							39	38	37		35		33	32		30				26	25	24			22	21	
SALEABLE	NOT APPLICABLE	34566-0044	0	A	BLACK	20		18	17	16				12			8	7	6	5		3	2	1			
SALEABLE	NOT APPLICABLE	34566-0054	0	G	BLUE	72	71	70	69		67			64	63		61	60	59		57	56	55	54	53		
						52	51			48			45	44	43		41	40	39	38	37	36	35	34	33		
						73						31	30	29		27	26	25			22				19	18	
SALEABLE	NOT APPLICABLE	34566-0064	0	A	BLACK	80	79	78	77		75							66	65	64		62					
							59		57										46				43	42	41		
							39	38	37		35		33			30				26	25	24			22	21	
SALEABLE	NOT APPLICABLE	34566-0084	0	A	BLACK	20		18	17	16	15			12			8	7	6	5		3	2	1			
SALEABLE	NOT APPLICABLE	34566-0094	0	B	ST GRAY	72	71	70	69	68	67			65	64	63	62	61	60	59		57	56	55	54	53	
						52	51	50	49	48	47	46	45	44	43	42		40	39				36	35	34	33	
						73					32	31	30	29	28	27	26	25	24	23	22	21					
SALEABLE	NOT APPLICABLE	34566-0104	0	B	ST GRAY	72	71	70	69	68	67			65	64	63	62	61	60	59		57	56	55	54	53	
								50	49	48	47	46		44	43	42		40	39				36	35	34	33	
						73					32	31	30	29	28	27	26	25	24	23	22	21					

STATUS	GM PART #	HRNS CONN ASSY			TPA	GROMMET CAP																											
		MATERIAL/PART	WIRE DRESS OPTION	KEY OPTION	COLOR OPTION	NUMBERS INDICATE CAVITIES OPEN FOR CIRCUITS Fp																											
		NUMBER		Fp	Fp																												
SALEABLE	NOT APPLICABLE	34566-0114	0	B	ST GRY	72	71	70	69					64	63		61			58	57	56	55										
						52	51	50	49			32		30	29	28		26	25	24	23	22	21	20									33
						73				16	15	14	13	12	11	10	9	8	7	6	5	4											
SALEABLE	NOT APPLICABLE	34566-0124	0	B	ST GRY	72										62	61	60	59							55							
						52				48	47	46								40												33	
						73						30											22	21	20	19	18	17					
SALEABLE	NOT APPLICABLE	34566-0134	0	B	ST GRY	72										62	61	60	59							55							
						52				48	47	46								41	40		38	37	36	35							
						73						30												22	21	20	19	18	17				
SALEABLE	NOT APPLICABLE	34566-0144	9	B	ST GRY											66								58									
																				41			38	37									
						73																			20	19	18	17					
SALEABLE	NOT APPLICABLE	34822-0663	9	C	BLUE				61	60	58				54													66					
										44	43								37						21	20	19						
						65						31													5	4							
SALEABLE	NOT APPLICABLE	34822-0673	0	A	BLACK	64						58	57	56	55			52	51	50								66					
						48	47	46	45	44	43	42	41	40	39					36		34											
						65				32		30	29			27	26	25															
SALEABLE	NOT APPLICABLE	34822-0683	9	A	BLACK		63	62	61	60	59					54	53								49			66					
										44										38	37		35				33						
						65						31				28				24	23	22			21	20	19	18	17				
SALEABLE	NOT APPLICABLE	34822-0693	9	C	BLUE			62	61			58			54														66				
										44	43		41	40					37								20	19					
						65						31														5	4						
SALEABLE	NOT APPLICABLE	34566-0154	9	B	ST GRY	72	71	70	69	68	67	66	65	64	63	62	61	60	59			57	56	55	54	53							
						52	51	50	49	48	47	46	45	44	43	42			40	39					36	35	34	33					
						73				32	31	30	29	28	27	26	25	24	23	22	21												
SALEABLE	NOT APPLICABLE	34566-0164	0	G	BLUE		80	79	78	77												66	65	64		62							
								59		57															46		44	43	42	41			
								39	38	37		35							30						26	25	24		22	21			
							20		18	17	16					12	11							8	7	6	5		3	2	1		
SALEABLE	NOT APPLICABLE	34566-0174	9	B	ST GRY	72	71	70			67	66							60			57											
						52	51	50			47	46										39		37		35							
						73						30	29	28						25	24	23	22			20	19						
SALEABLE	NOT APPLICABLE	34566-0184	9	B	ST GRY																												
						73				32		30	29	28			26	25	24						21								

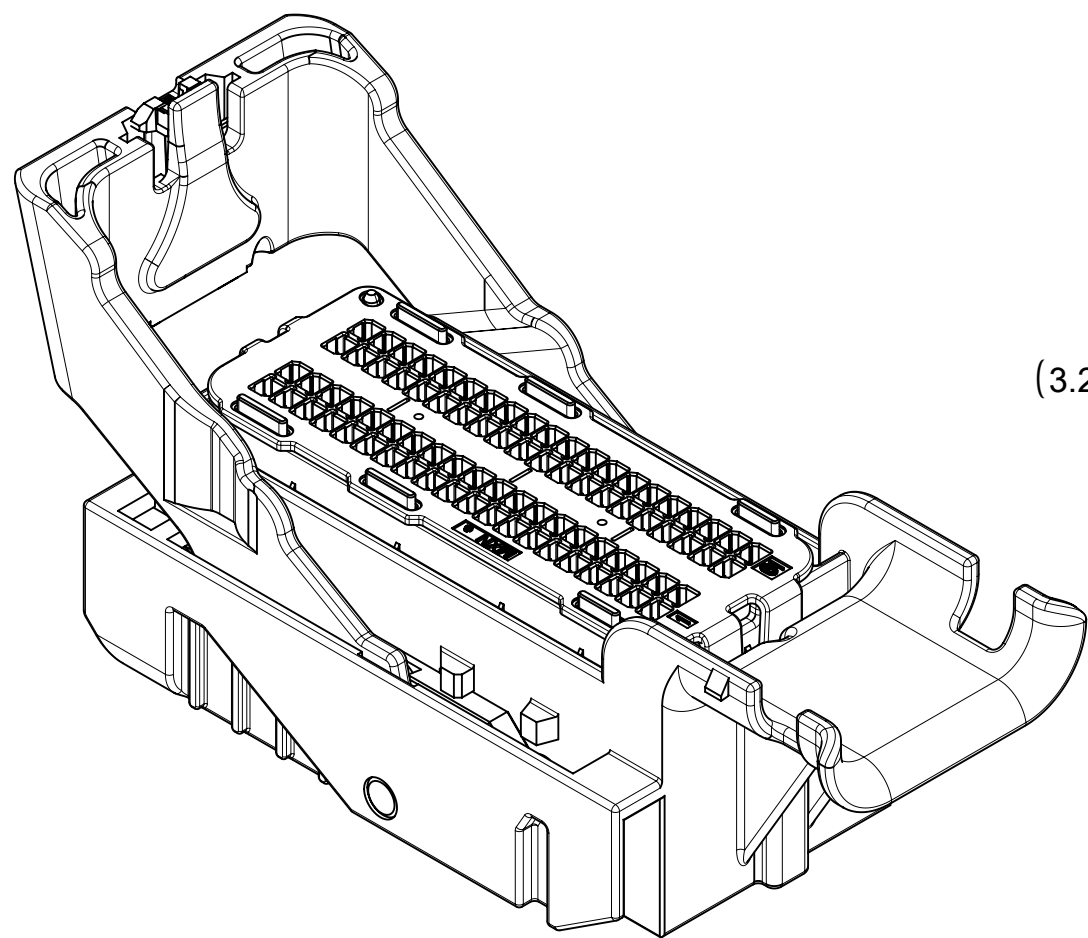
F
E
D
C
B
A



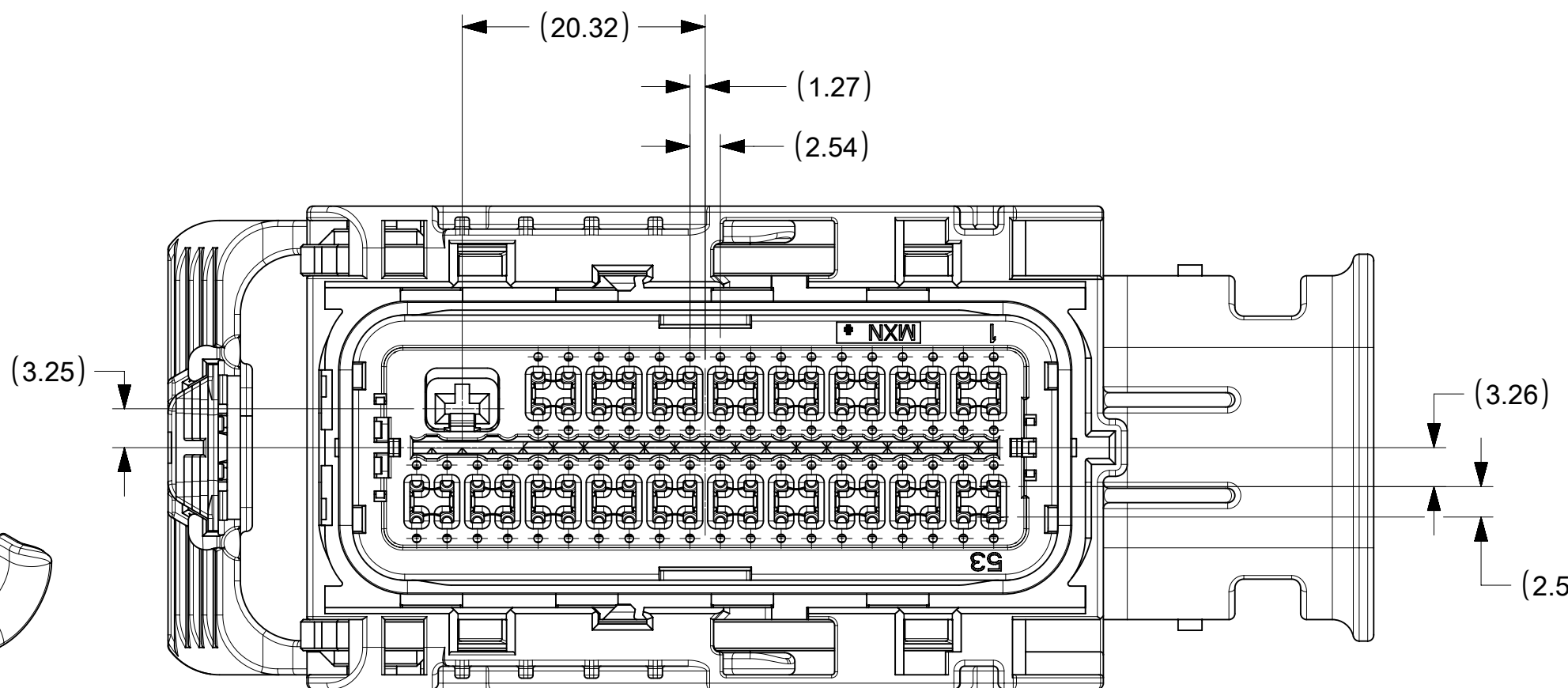
RECOMMENDED LOCATION FOR NOTE 2D



TPA

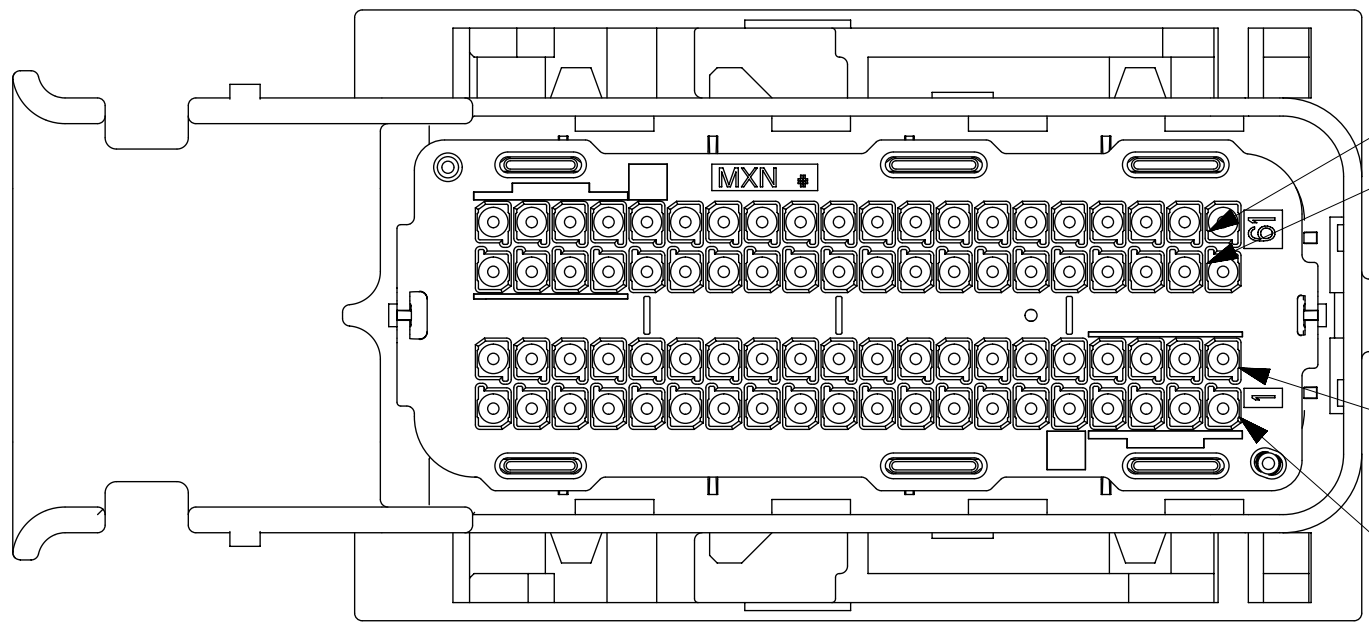


80 CKT
SCALE 3:2



DOCUMENT STATUS	P1	RELEASE DATE	2018/10/10	03:26:09
-----------------	----	--------------	------------	----------

F
E
D
C
B
A

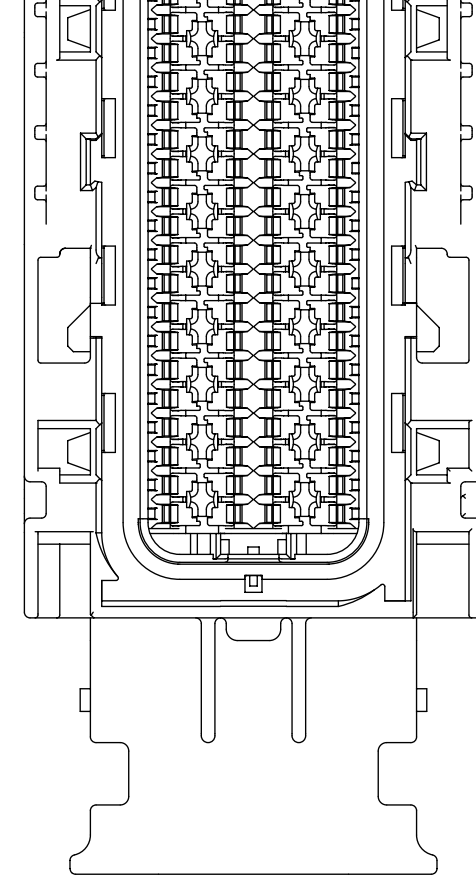


CIRCUI 61

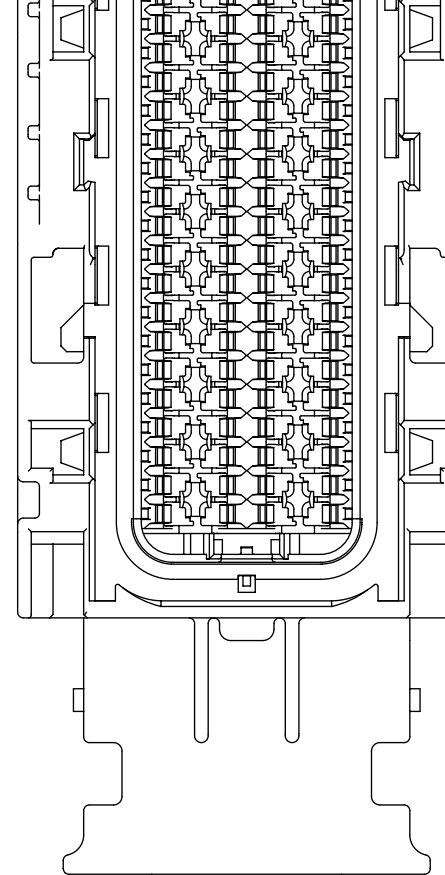
CIRCUI 41

CIRCUI 21

CIRCUI 1



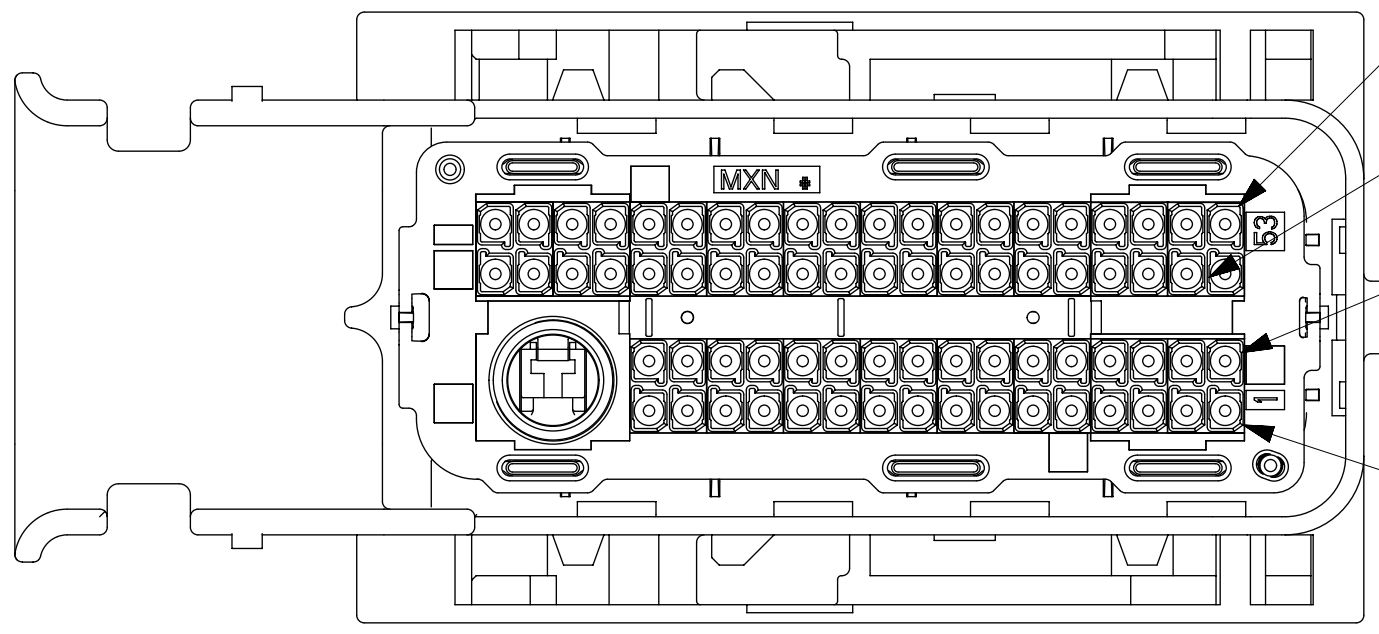
KEY G



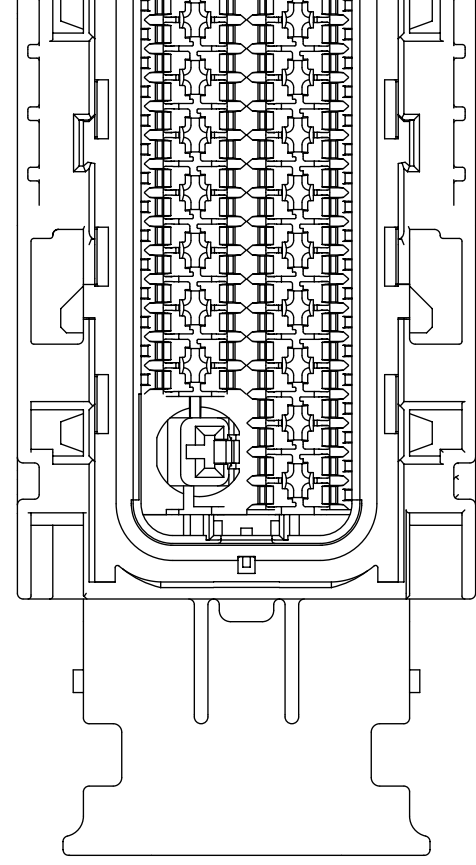
KEY H

DOCUMENT STATUS	P1	RELEASE DATE	2018/10/10	03:26:09
-----------------	----	--------------	------------	----------

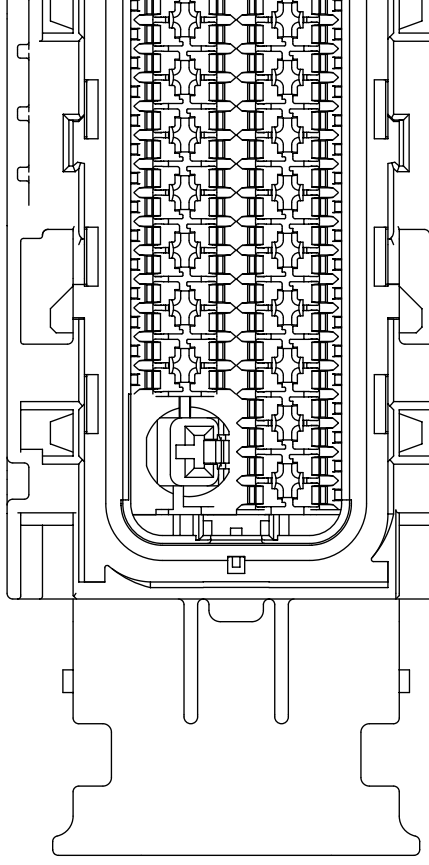
F
E
D
C
B
A



CIRCUIT 53
CIRCUIT 33
CIRCUIT 17
CIRCUIT 1



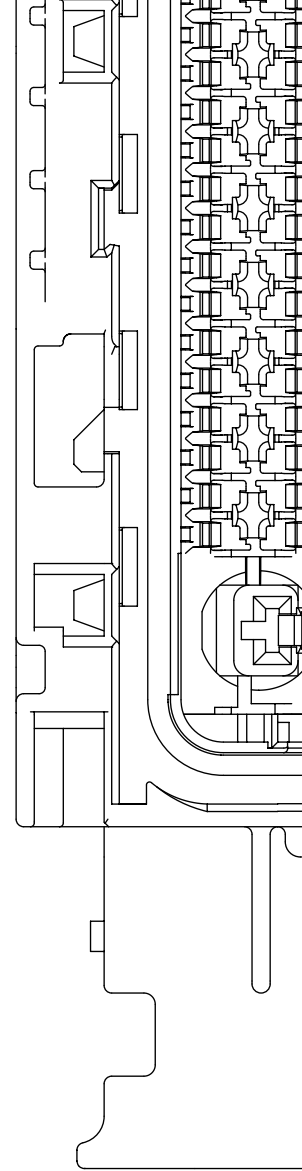
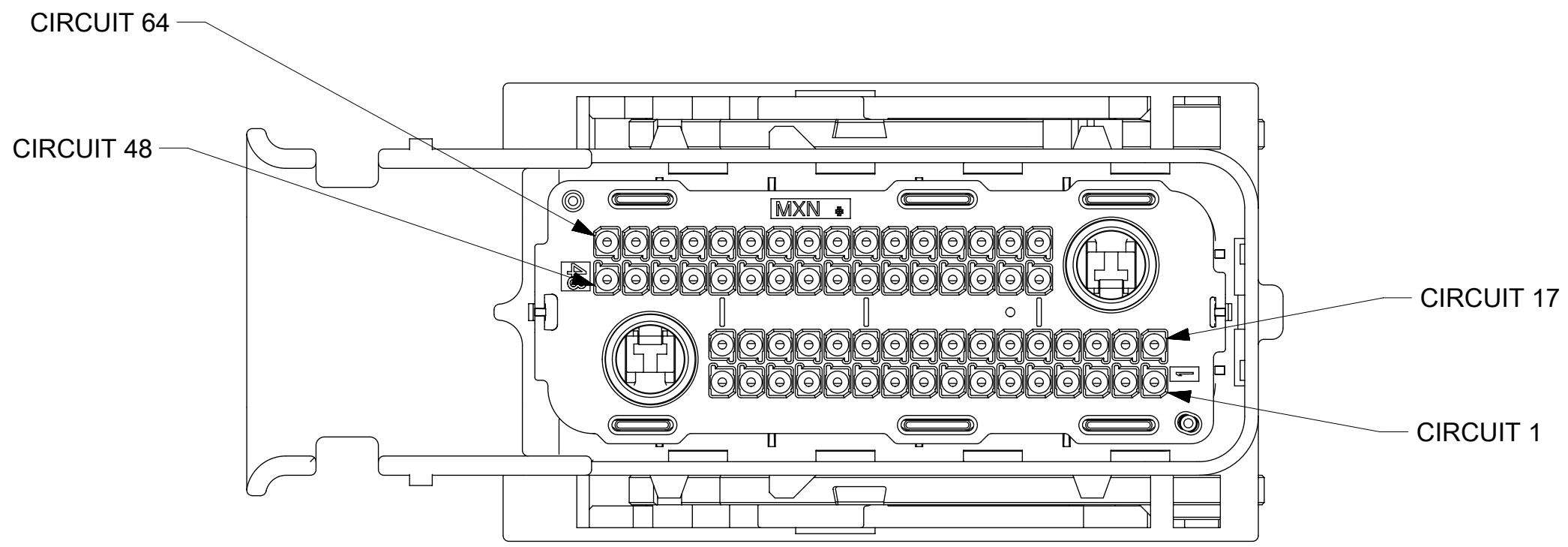
KEY A



KEY B

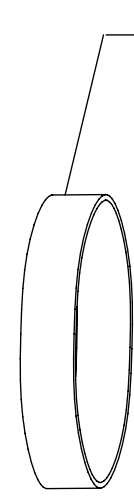
DOCUMENT STATUS	P1	RELEASE DATE	2018/10/10	03:26:09
-----------------	----	--------------	------------	----------

F
E
D
C
B
A



KE

DOCUMENT STATUS	P1	RELEASE DATE	2018/10/10	03:26:09
-----------------	----	--------------	------------	----------



RUBBER BAND
 DESCRIPTION: #84 3.5" X 0.5"
 SUGGESTED SOURCE:
 MANUFACTURER: ALLIANCE
 PART #: 987-370
 VENDOR: OFFICE DEPOT
 VENDOR #: 109099

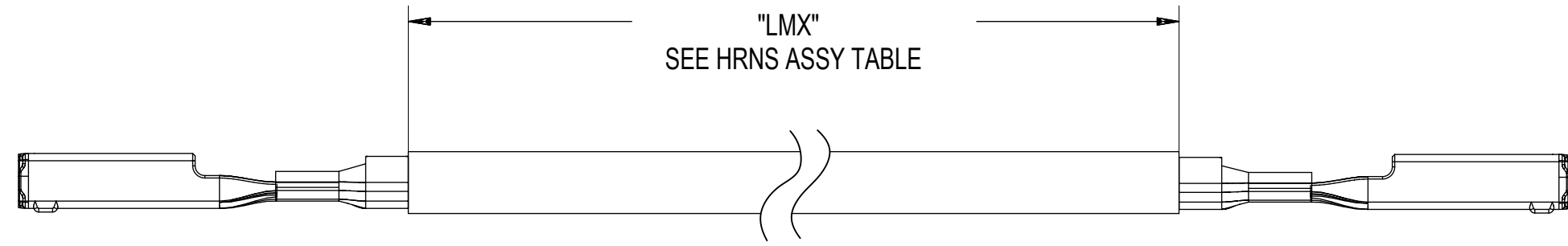


TY-RAP
 DESCRIPTION: SIZE TY25 CABLE TIE
 SUGGESTED SOURCE:
 MANUFACTURER: THOMAS & BETTS
 PART #: TY25M
 VENDOR: CRESENT ELEC
 VENDOR #: 104144

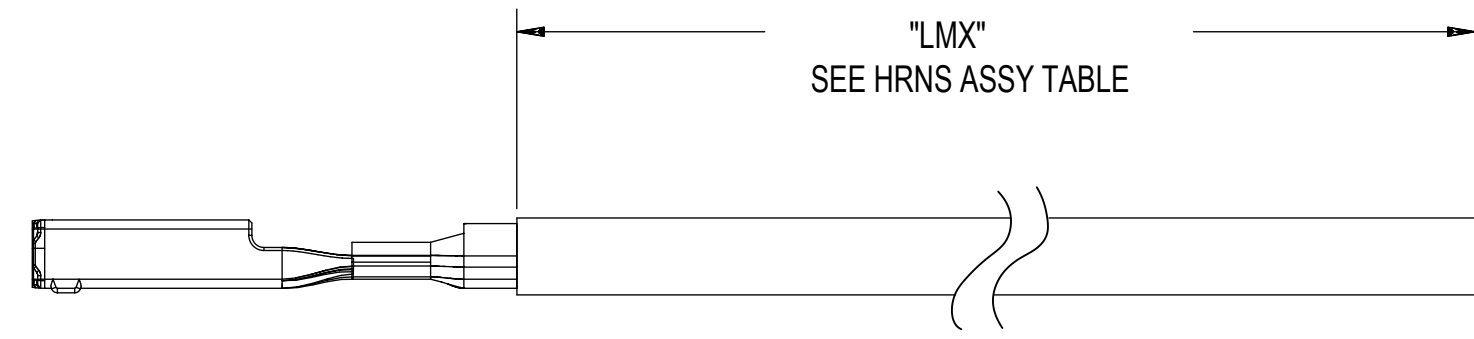
PRODUCTION PART # FOR HARNESS ASSEMBLY

XXXXX- SERIES NUMBER		
SERIES #	CKT SIZE	WIRE TYPE
34070	73/80/66	TXL
34330	73/80/66	TXL
34333	73/80/66	PTFE

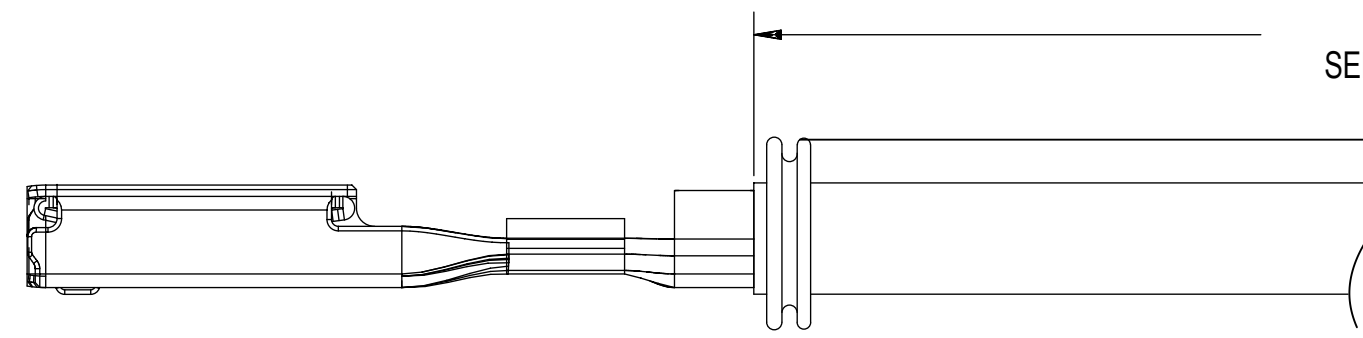
HRNS ASSY



MX64 WIRE ASSY LOOPED
 MATERIAL #: SEE HRNS ASSY TABLE



MX64 WIRE ASSY PIGTAIL
 MATERIAL #: SEE HRNS ASSY TABLE

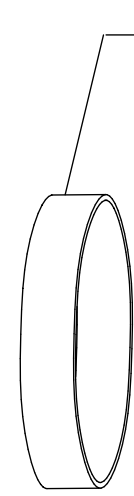


DOCUMENT STATUS	P1	RELEASE DATE	2018/10/10	03:26:09
-----------------	----	--------------	------------	----------

F
E
D
C
B
A

	NO	34070-9814	73	B	0	34566-0203
	NO	34070-9234	80	H	0	34566-0803
	NO	34070-9214	80	H	0	34566-0803
	YES	34330-9914	73	A	0	34566-0103
	YES	34330-9814	73	B	0	34566-0203
H30	YES	34330-9214	80	H	0	34566-0803
	NO	34070-9734	73	C	0	34566-0303
	NO	34070-9714	73	C	0	34566-0303
	NO	34330-9714	73	C	0	34566-0303
	NO	34070-9334	80	G	0	34566-0703
	NO	34070-9314	80	G	0	34566-0703
H30	NO	34330-9314	80	G	0	34566-0703
	NO	34070-9414	73	F	0	34566-0603
	NO	34070-9434	73	F	0	34566-0603
	NO	34333-9734	73	C	0	34566-0303

DOCUMENT STATUS	P1	RELEASE DATE	2018/10/10	03:26:09
-----------------	----	--------------	------------	----------



RUBBER BAND
 DESCRIPTION: #84 3.5" X 0.5"
 SUGGESTED SOURCE:
 MANUFACTURER: ALLIANCE
 PART #: 987-370
 VENDOR: OFFICE DEPOT
 VENDOR #: 109099



TY-RAP
 DESCRIPTION: SIZE TY25 CABLE TIE
 SUGGESTED SOURCE:
 MANUFACTURER: THOMAS & BETTS
 PART #: TY25M
 VENDOR: CRESENT ELEC
 VENDOR #: 104144

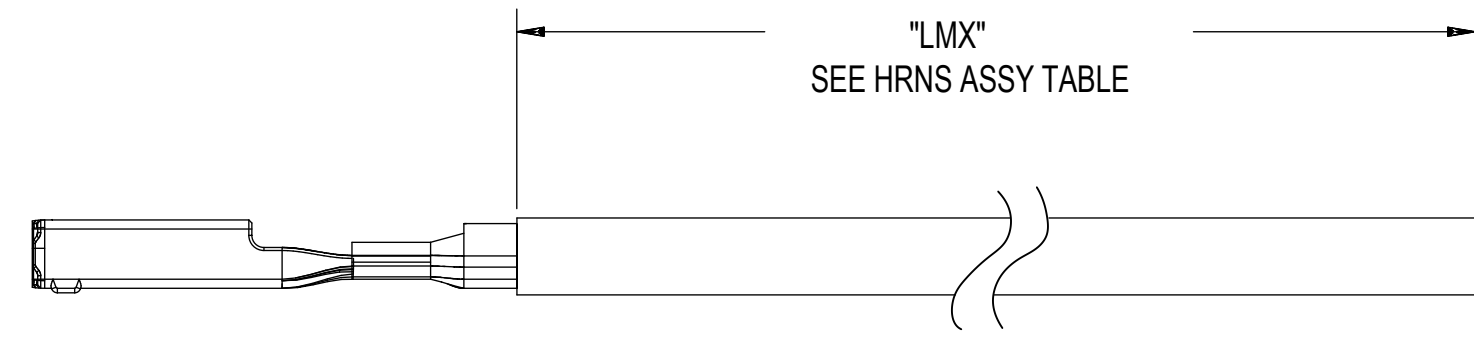
PRODUCTION PART # FOR HARNESS ASSEMBLY

XXXXXX- SERIES NUMBER		
SERIES #	CKT SIZE	WIRE TYPE
204778	80/73/66	ISO*
204779	80/73/66	ISO*

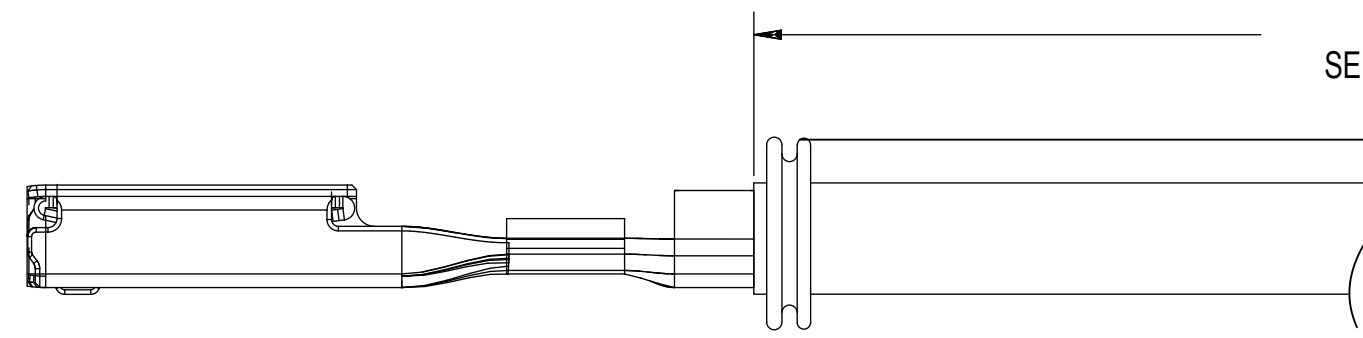
HRNS ASSY



MX64 WIRE ASSY LOOPED
 MATERIAL #: SEE HRNS ASSY TABLE



MX64 WIRE ASSY PIGTAIL
 MATERIAL #: SEE HRNS ASSY TABLE



DOCUMENT STATUS	P1	RELEASE DATE	2018/10/10	03:26:09
-----------------	----	--------------	------------	----------

F

E

D

C

B

A

DOCUMENT STATUS	P1	RELEASE DATE	2018/10/10	03:26:09
-----------------	----	--------------	------------	----------

X-ON Electronics

Largest Supplier of Electrical and Electronic Components

Click to view similar products for [Automotive Connectors](#) category:

Click to view products by [Molex](#) manufacturer:

Other Similar products are found below :

[003-018-000](#) [00595100](#) [01.001.5453.0](#) [01.001.5653.0](#) [01.001.6553.0](#) [0100703](#) [01605396](#) [01839906-L](#) [01864022-L](#) [01969007](#) [02\(4-23\)T-JWPF-VKLE-S](#) [025-9000-000](#) [025-9000-001](#) [02962447-CT](#) [02962448](#) [02962508](#) [02962508-CT](#) [02962508-L](#) [02962510](#) [02962510-B](#) [02962543](#) [02962572](#) [02962572-CT](#) [02962572-L](#) [02962683](#) [02962793](#) [02962793-B](#) [02962953](#) [02962953-L](#) [02962958-CT](#) [02962965](#) [02962967](#) [02962969](#) [02962976-L](#) [02962985](#) [02965019-B](#) [02965141-L](#) [02965142](#) [02965142-CT](#) [02965142-MR](#) [02965143-CT](#) [02965164](#) [02965164-B](#) [02965199](#) [02965199-CT](#) [02965199-L](#) [02965400](#) [02965400-L](#) [02965401](#) [02965439](#)