

TABLE OF CONTENTS	
SHEET NO.	SHEET DESCRIPTION
1	NOTES, INSPECTION BALLOON NUMBER LOG, REV. COLUMN, 2-BAY MINI50 RIGHT ANGLE HEADER ASSEMBLY
2	DIMENSIONAL CHART FOR MULTIBAY CONFIGURATION DEPOLULATED HEADER PIN CONFIGURATION
3	DETAIL DIMENSION VIEW REFERENCE PCB LAYOUT

NOTES: VALID UNLESS OTHERWISE SPECIFIED

1. GENERAL:

- a. PRODUCT SPECIFICATION: PS-34959-001
- b. APPLICATION SPECIFICATION: AS-34959-001
- c. PACKAGING SPECIFICATION PER MOLEX DRAWING PK-31302-070 (TRAY)
- d. PACKAGING SPECIFICATION PER MOLEX DRAWING PK-31301-688 (TUBE)

2. DESIGN: MATERIALS:

- a. SHROUD (PLASTIC HOUSING): RESIN - SPS 30%GF
- b. PIN ALIGNMENT PLATE:
  - i. RESIN - SPS 30%GF
  - ii. COLOR - BLACK
- c. 0.50mm BLADES:
  - i. BASE MATERIAL: C26800
  - ii. PLATING TYPE: AS NOTED
- d. 1.20mm BLADES:
  - i. BASE MATERIAL: C26800
  - ii. PLATING TYPE: AS NOTED

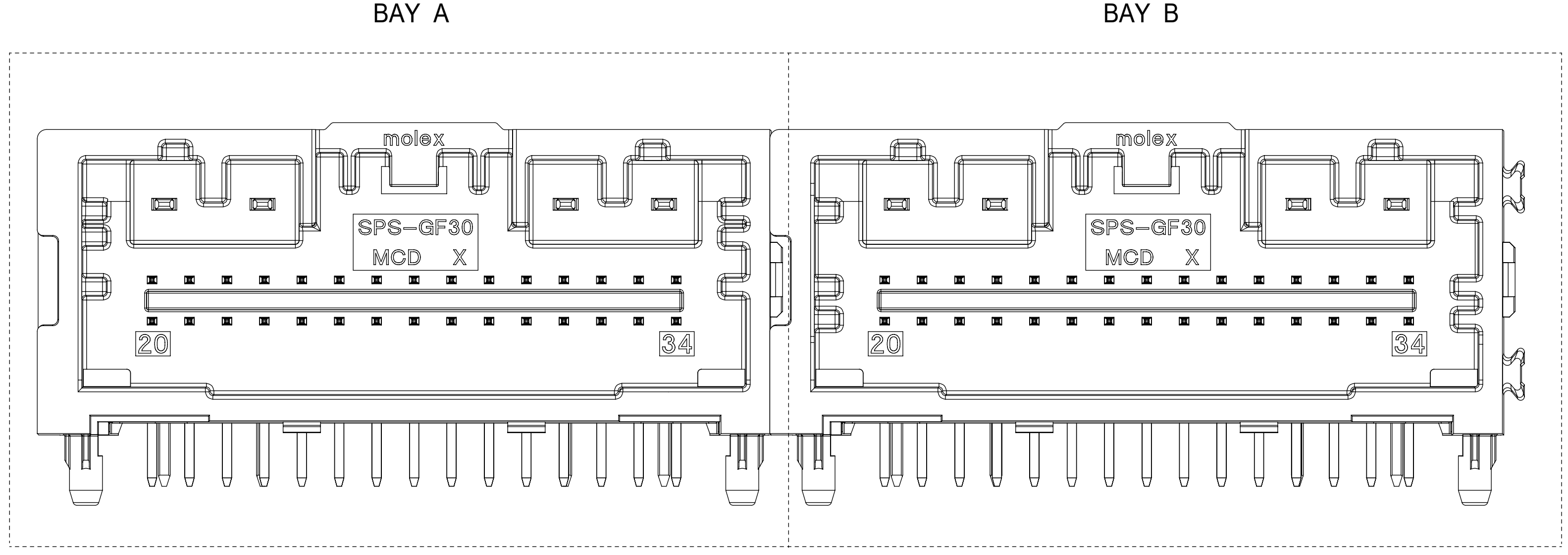
3. PLATING REQUIREMENTS:

- a. UNDERPLATING - OVERALL NICKEL
- b. OVERPLATING - OVERALL REFLOW TIN

4. FOR DESCRIPTION OF INDIVIDUAL BAYS, REFER TO THE FOLLOWING SINGLE BAY DRAWINGS:

- a. PART NUMBER: 34961-03XX, REFER TO SD-34961-030
- b. PART NUMBER: 34961-13XX, REFER TO SD-34961-130

2-BAY MINI50 RIGHT ANGLE HEADER ASSEMBLY  
(P/N 34960-0200 SHOWN)



DIN 16901	CODE LETTER	NOMINAL DIMENSION RANGE												
		OVER UP TO	0	1	3	6	10	15	22	30	40	53	70	90
PRECISION ENGINEERING	A	±0.10	±0.12	±0.14	±0.16	±0.20	±0.22	±0.24	±0.26	±0.28	±0.31	±0.35	±0.40	±0.50
	B	±0.05	±0.06	±0.07	±0.08	±0.10	±0.12	±0.14	±0.16	±0.18	±0.21	±0.25	±0.30	±0.40

A: FOR NON-MOLD RELATED DIMENSIONS (ACROSS PARTING LINE)  
B: FOR MOLD RELATED DIMENSIONS (WITHIN MOLD COMPONENTS)

INSPECTION BALLOON NUMBER LOG	
PER DRAWING REVISION:	B2
LAST BALLOON NUMBER USED:	7
ADDED BALLOON NUMBERS:	2a 2b
REMOVED BALLOON NUMBERS:	8 9 10 11

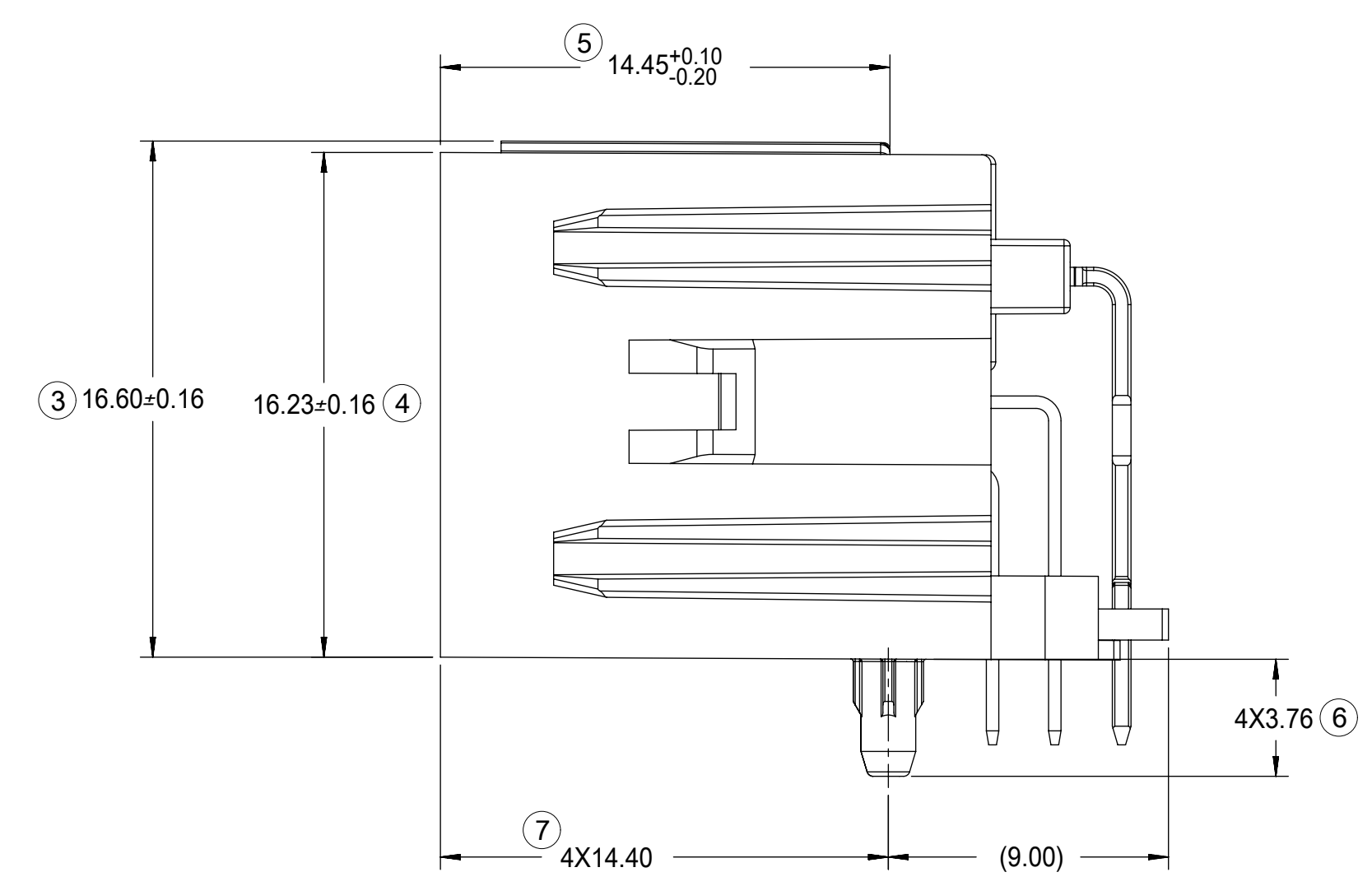
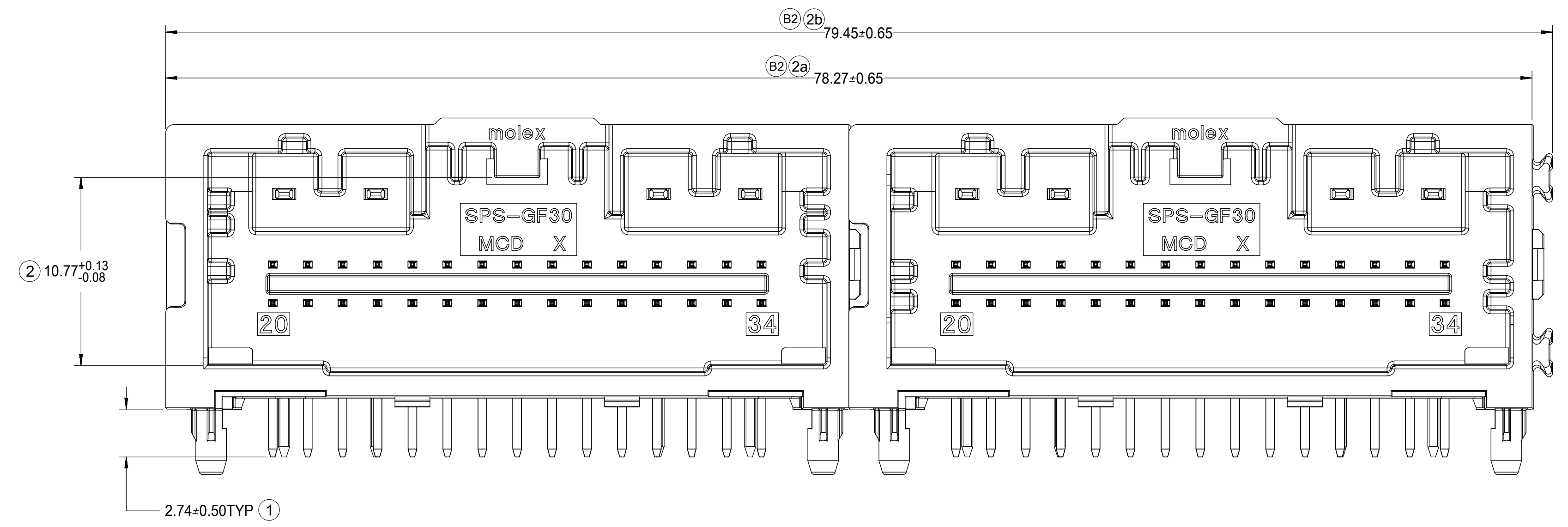
B2	1. OBSOLETE PART NUMBER: 34960-0210; 34960-0220; 34960-0240; 34960-0250 2. ADDED NEW DIMENSION ITEM 2a & 2b IN SHEET 3 3. ADDED SHEET 2 TO SHOW DEPOLULATED HEADER PIN CONFIGURATION AND DIMENSIONAL CHART FOR MULTIBAY CONFIGURATION 4. REMOVED BALLOON NUMBER: 8,9,10,11 IN SHEET 3 5. ADDED HOLE DIMENSION F IN PCB LAYOUT IN SHEET 3	640173
B1	ADDED NEW PART NUMBER: 34960-0271 IN THE CHART ON SHEET 1	623488
B	1. OBSOLETE PART NO 349600230 2. ADDED NEW NUMBER: 34960-0261 IN THE CHART ON SHEET 1	618118
A10	ADDED NEW P/N: 34961-7261 IN THE BOM ON SHEET 1.	611155
A9	ADDED NEW P/N: 34960-0211 \ 34960-0221 \ 34960-0231 34960-0241\34960-0251 IN THE BOM ON SHEET 1. ADDED PRODUCT STATUS IN THE BOM ON SHEET 1.	606688
REV	REV DESCRIPTION	ECN SAP NO.

FUNCTIONAL SYMBOLS $F_A = 0$ $F_C = 0$ $F_P = 0$ DIVISIONAL SYMBOLS	THIS DRAWING CONTAINS INFORMATION THAT IS PROPRIETARY TO MOLEX ELECTRONIC TECHNOLOGIES, LLC AND SHOULD NOT BE USED WITHOUT WRITTEN PERMISSION	DIMENSION UNITS: mm	SCALE: 5:1	CURRENT REV DESC:	
	GENERAL TOLERANCES (UNLESS SPECIFIED)		EC NO: 640173		
	ANGULAR TOL ± °		DRWN: SWU31 2020/06/18		
	4 PLACES ±		CHK'D: CDZHANG 2020/10/21		
3 PLACES ±		APPR: CDZHANG 2020/10/21		PRODUCT CUSTOMER DRAWING	
2 PLACES ±		INITIAL REVISION:		DOCUMENT NUMBER	
1 PLACE ±		DRWN: JFISCHER01 2014/03/25		SD-34960-0200	
0 PLACES ±		APPR: RBAUMAN 2014/03/31		DOC TYPE DOC PART REVISION	
DRAFT WHERE APPLICABLE MUST REMAIN WITHIN DIMENSIONS		THIRD ANGLE PROJECTION		PSD 001 B2	
		DRAWING: D-SIZE		SERIES: 34960	
		MATERIAL NUMBER		CUSTOMER: GENERAL MARKET	
		SHEET NUMBER		1 OF 3	

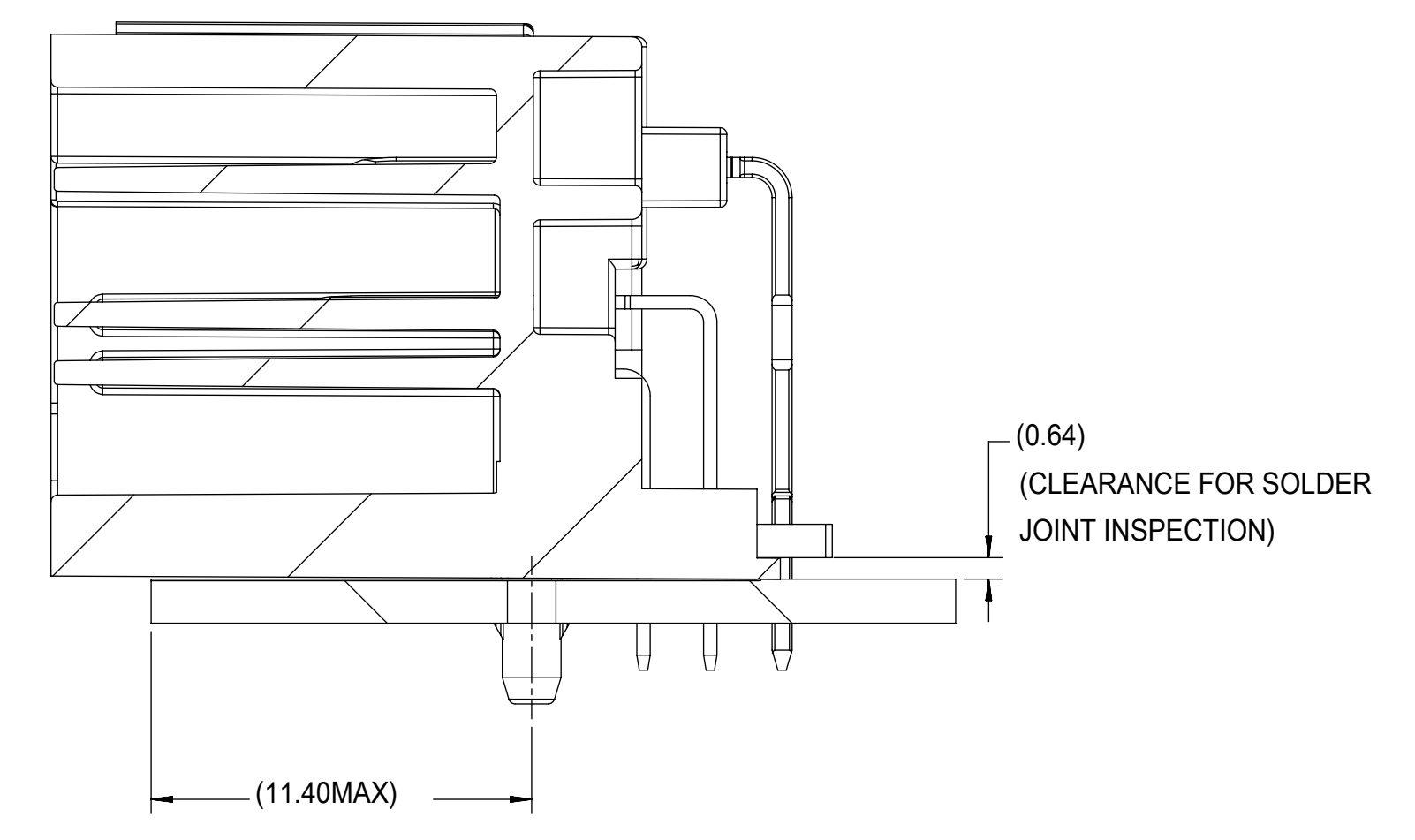
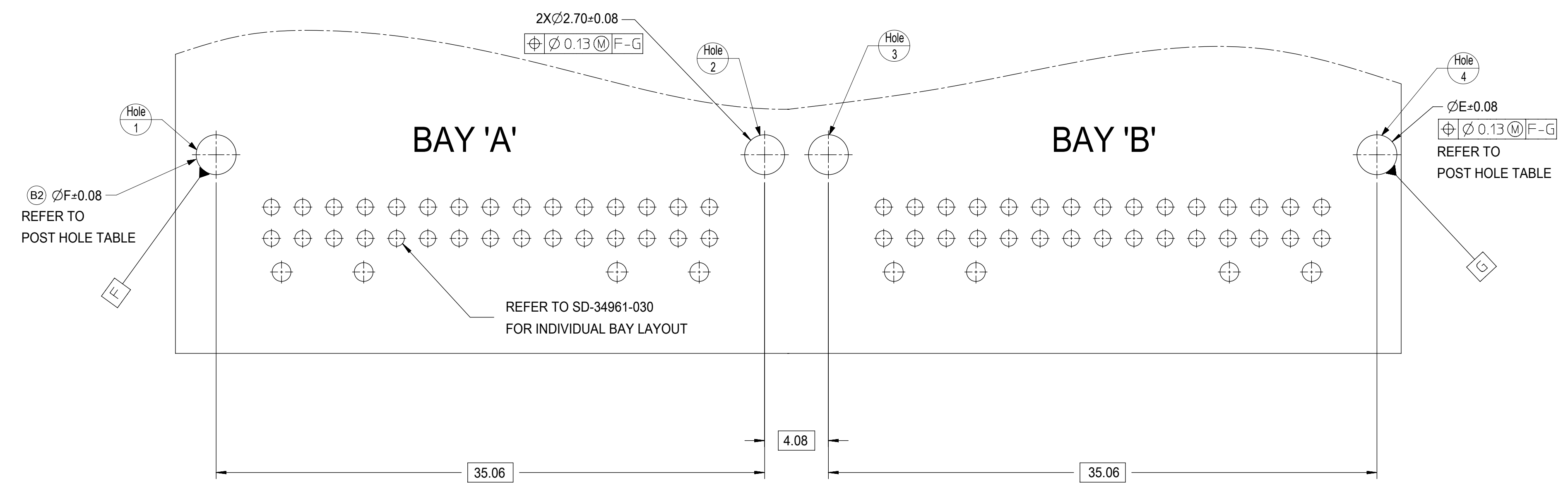
DOCUMENT STATUS	P1	RELEASE DATE	2020/10/21	04:39:29
-----------------	----	--------------	------------	----------



TABLE OF CONTENTS	
SHEET NO.	SHEET DESCRIPTION
3	DETAIL DIMENSION VIEW REFERENCE PCB LAYOUT



RECOMMENDED PCB LAYOUT



FLUSH MOUNTING  
HEADER-TO-PCB

Partial1  
SCALE 5:1

POST HOLE TABLE:

FOR DIM	E	F
PRESS FIT:	2.30	2.30
DROP IN:	2.85	2.65

<b>FUNCTIONAL SYMBOLS</b> FA = 0 FE = 0 FP = 0 <b>DIVISIONAL SYMBOLS</b>	THIS DRAWING CONTAINS INFORMATION THAT IS PROPRIETARY TO MOLEX ELECTRONIC TECHNOLOGIES, LLC AND SHOULD NOT BE USED WITHOUT WRITTEN PERMISSION		DIMENSION UNITS: <b>mm</b> SCALE: <b>1:1</b>		CURRENT REV DESC:	
	GENERAL TOLERANCES (UNLESS SPECIFIED) ANGULAR TOL ± °		EC NO: 640173 DRWN: SWU31 2020/06/18 CHK'D: CDZHANG 2020/10/21 APPR: CDZHANG 2020/10/21		INITIAL REVISION: DRWN: JFISCHER01 2014/03/25 APPR: RBAUMAN 2014/03/31	
DRAFT WHERE APPLICABLE MUST REMAIN WITHIN DIMENSIONS		THIRD ANGLE PROJECTION		DRAWING: <b>D-SIZE</b> SERIES: <b>34960</b>		
<b>DOCUMENT STATUS</b> P1 <b>RELEASE DATE</b> 2020/10/21 04:39:29		<b>MOLEX</b> 34 & 38 CKT MINI50 2-BAY R/A HEADER ASSEMBLY SALES DRAWING PRODUCT CUSTOMER DRAWING		DOCUMENT NUMBER: <b>SD-34960-0200</b> DOC TYPE: PSD DOC PART: 001 REVISION: <b>B2</b>		
MATERIAL NUMBER: <b>34960</b> CUSTOMER: <b>GENERAL MARKET</b>		SHEET NUMBER: <b>3 OF 3</b>				

## X-ON Electronics

Largest Supplier of Electrical and Electronic Components

*Click to view similar products for [Automotive Connectors](#) category:*

*Click to view products by [Molex](#) manufacturer:*

Other Similar products are found below :

[003-018-000](#) [60403001](#) [60993906-B](#) [M902-2131](#) [M902-2161](#) [72.330.1035.1](#) [73.353.4028.0](#) [F119300-B](#) [F166900](#) [F258300-B](#) [F358300-B](#)  
[F407400](#) [F444110](#) [F487000](#) [F509500B-B](#) [827153-1](#) [8N1515-32-24P](#) [9-1326729-8](#) [925474-1](#) [928905-1](#) [964562-4](#) [968782-1](#) [GT17SA-8DS-](#)  
[HU](#) [98891-1012](#) [98947-1016](#) [12004147](#) [12004475-L](#) [12010290](#) [12010309-B](#) [12015454](#) [12020219-B](#) [12020308](#) [12041318-B](#) [12052225-L](#)  
[12052466](#) [12059125](#) [12064869](#) [12004327-B](#) [12010503-B](#) [12015308](#) [12015384](#) [12015909](#) [1-21030-1](#) [12041254](#) [12041318](#) [12047946-B](#)  
[12047957](#) [12047957-L](#) [12059473](#) [12066261](#)