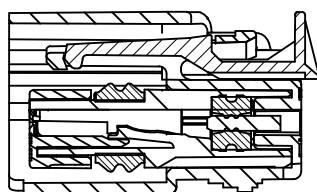
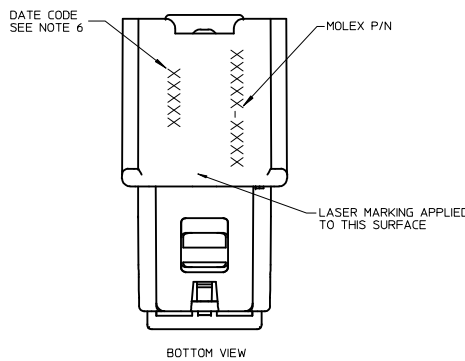


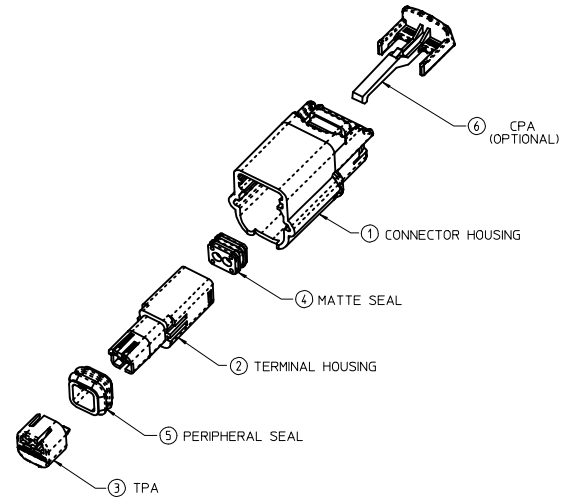
SECTION A-A
TPA SHOWN IN AS-SHIPPED
PRE-LOCKED POSITION
SEE NOTE 3



SECTION A-A
TPA SHOWN IN FINAL
LOCKED POSITION



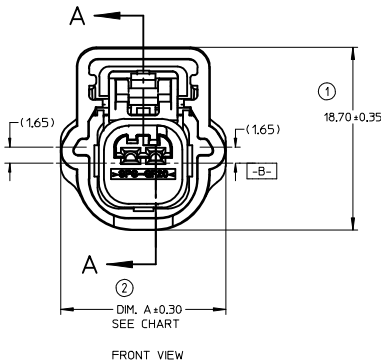
BOTTOM VIEW



ITEM	DESCRIPTION	COLOR
1	CONNECTOR HOUSING	SEE CHART
2	TERMINAL HOUSING	BLACK
3	TPA	NATURAL
4	MATTE SEAL	SEE CHART
5	PERIPHERAL SEAL	SEE CHART
6	CPA - OPTIONAL	RED

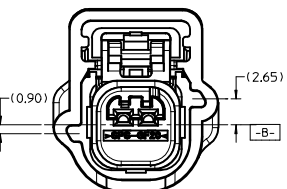
NOTES:

- DESIGNED TO MATE WITH DEVICE CONNECTION AS SPECIFIED IN USCAR DRAWINGS AVAILABLE AT <http://ewcap.uscarteams.org/>.
 1X2 064-S-002-1-Z02
 1X3 064-S-003-1-Z01
 1X4 064-S-004-1-Z02
 1X5 064-S-005-1-Z02
 1X6 064-S-006-1-Z02
 1X8 064-S-008-1-Z02
- ASSEMBLY SHIPPED WITH TPA IN PRE-LOCKED POSITION (SEE SECTION A-A). UPON FULL TERMINAL ASSEMBLY, TPA MUST BE SEATED TO THE FINAL LOCKED POSITION.
- TPA'S MAY BECOME SEATED DURING TRANSIT. IF THIS OCCURS, TPA'S SHOULD BE MOVED TO THE PRE-LOCKED POSITION PRIOR TO FEMALE TERMINAL INSTALLATION. REFERENCE PRODUCT SPECIFICATION: PS-34646-001
- SYSTEM TO BE USED WITH OUTSIDE WIRE DIAMETERS RANGING FROM 1.20MM TO 2.06MM WITHIN RANGE OF:
 - SAE 22 AWG TO 18 AWG PER ESB-ML123-A2
 - ISO 0.35MM² TO 0.75MM² PER GWM15626 AND ES-AU5T-1A348-AA
- POLARIZATION FEATURE EFFECTIVENESS PER USCAR-2 PARAGRAPH 5.4.4 IS REDUCED WHEN TESTING ALL POLARIZATION OPTIONS: 100N MIN.
- DATE CODE: FIRST TWO DIGITS ARE THE CALENDAR YEAR (EXAMPLE: 04 - 2004), THIRD THROUGH 5TH DIGIT DAY # OF THE CALENDAR YEAR (EXAMPLE: FEB. 3RD = '034').
- SEE SHEET #2 FOR CONNECTOR ASSEMBLY WITH CLIP SLOT.
- FOR CLIPSLLOT CONNECTOR: CLIP OVERHANGS CONNECTOR. PLEASE CHECK APPLICATION (COULD CAUSE WIRE CHAFING)-SHORTER CLIP IS A RECOMMENDATION.

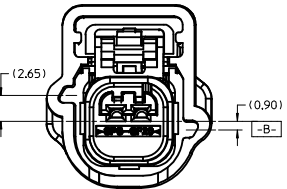


FRONT VIEW

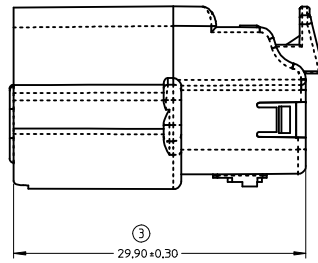
POLARIZATION A



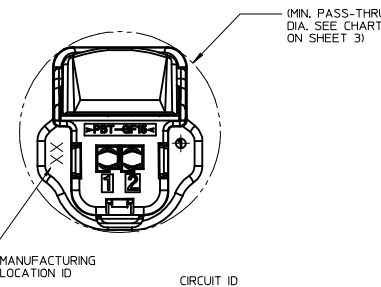
POLARIZATION B



POLARIZATION C



RIGHT SIDE VIEW



BACK VIEW

CONNECTOR ASSEMBLY WITHOUT CLIPSLLOT

PART NUMBER LEGEND
CONNECTOR ASSEMBLY

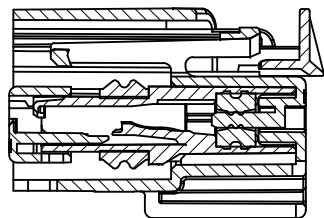
- 3140X-XXXX
- SEAL PLUG CONFIGURATION (AS MOLDED)
0 - ALL CIRCUITS OPEN
1-9 SEE CHART
 - CPA OPTION
0 OR 2 - WITHOUT CPA
1 OR 3 - WITH CPA
4 - WITHOUT CPA, WITH CLIPSLLOT
5 - WITH CPA, WITH CLIPSLLOT
 - USCAR POLARIZATION OPTION
1 - POLARIZATION OPTION A
2 - POLARIZATION OPTION B
3 - POLARIZATION OPTION C
4 - POLARIZATION OPTION D
5 - POLARIZATION OPTION B, BLACK
6 - POLARIZATION OPTION C, BLACK
7 - POLARIZATION OPTION D, BLACK
8 - POLARIZATION OPTION C, NATURAL
9 - POLARIZATION OPTION D, GRAY
 - CIRCUIT SIZE 2, 3, 4, 5, 6 & 8
 - TERMINAL OPTION
2 - TYCO/MOLEX GET 0.64
3 - MOLEX 0.64
4 - YAZAKI KAIZEN 0.64

ADD NEW P/N EEC NO: UAU2015-0819 DRWN: DENG02 2014/11/20 CHKD: K1 APPR: VKOSHY 2014/11/21	QUALITY SYMBOLS	GENERAL TOLERANCES (UNLESS SPECIFIED)	DIMENSION STYLE	SCALE	DESIGN UNITS	THIRD ANGLE PROJECTION
	▽=0	mm	MM ONLY	4:1	METRIC	☉
	▽=0	INCH	DRAWN BY DATE			
	▽=0	DRAFT WHERE APPLICABLE MUST REMAIN WITHIN DIMENSIONS	RCARLSON 2003/09/25			
		4 PLACES ±.005	CHECKED BY DATE			
		3 PLACES ±.01	RCARLSON 2004/09/28			
		2 PLACES ±0.13	APPROVED BY DATE			
		1 PLACE ±0.3	VKOSHY 2010/11/22			
		0 PLACE ±				
		ANGULAR ± 3 °	MATERIAL NO.	DOCUMENT NO.		
		SIZE D	SEE CHART	SD-31402-211		
			THIS DRAWING CONTAINS INFORMATION THAT IS PROPRIETARY TO MOLEX INCORPORATED AND SHOULD NOT BE USED WITHOUT WRITTEN PERMISSION			

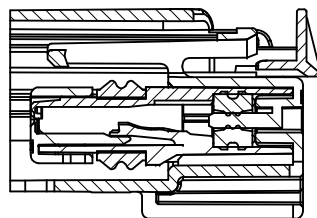
0.64 USCAR CONNECTOR
SEALED SINGLE ROW
ASSEMBLY

molex

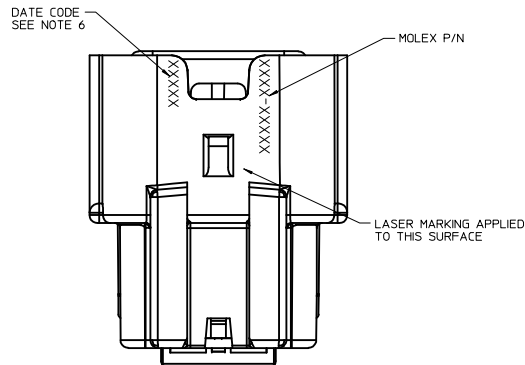
SHEET NO.
1 OF 5



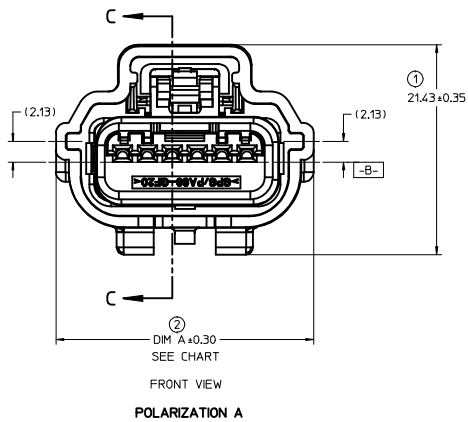
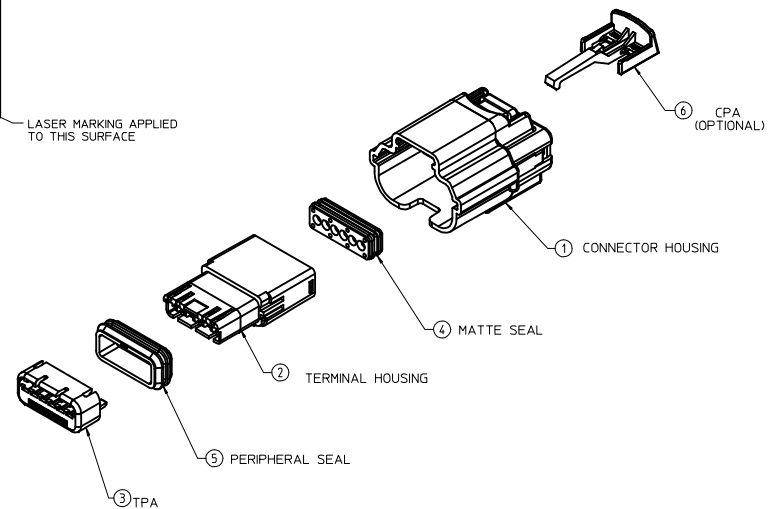
SECTION C-C
TPA SHOWN IN AS-SHIPPED
PRE-LOCKED POSITION
SEE NOTE 3



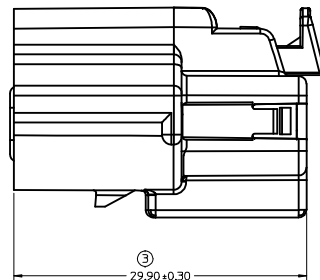
SECTION C-C
TPA SHOWN IN FINAL
LOCKED POSITION



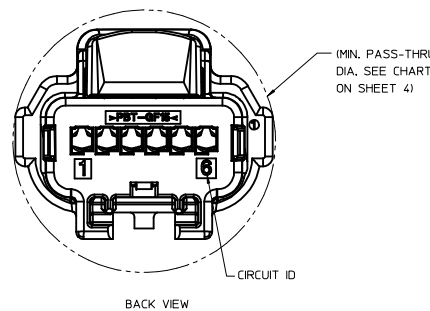
BOTTOM VIEW



POLARIZATION A



RIGHT SIDE VIEW



BACK VIEW

CONNECTOR ASSEMBLY WITH CLIPSLOT

ADD NEW P/N EC NO: UAU2015-0819 DRAWN: JENGOZ 2014/11/20 CHKD: APPR: VKOSHY 2014/11/21 REV K1	QUALITY SYMBOLS	GENERAL TOLERANCES (UNLESS SPECIFIED)	DIMENSION STYLE	SCALE	DESIGN UNITS	THIRD ANGLE PROJECTION
	∇=0 ∇=0 ∇=0	mm INCH 4 PLACES ± --- ± --- 3 PLACES ± --- ± --- 2 PLACES ± 0.13 ± --- 1 PLACE ± 0.3 ± --- 0 PLACE ± ±	MM ONLY	4:1	METRIC	DRAWN BY DATE RCARLSON 2003/09/25 CHECKED BY DATE RCARLSON 2004/09/28 APPROVED BY DATE VKOSHY 2010/11/22
	ANGULAR ± 3 ° DRAFT WHERE APPLICABLE MUST REMAIN WITHIN DIMENSIONS	MATERIAL NO. SEE CHART	TITLE 0.64 USCAR CONNECTOR SEALED SINGLE ROW ASSEMBLY	DOCUMENT NO. SD-31402-211	SHEET NO. 2 OF 5	
	THIS DRAWING CONTAINS INFORMATION THAT IS PROPRIETARY TO MOLEX INCORPORATED AND SHOULD NOT BE USED WITHOUT WRITTEN PERMISSION					

PART NUMBER WITHOUT CPA	PART NUMBER WITH CPA	CLIPSLOT OPTION	ROW/ CIRCUITS	KEY	MATTE SEAL COLOR	PERIMETER SEAL COLOR	CONNECTOR COLOR	WIDTH DIM (A)	MIN. PASS THRU DIA.	FEMALE TERMINAL SUPPLIER	USCAR FOOTPRINT DRAWING NO.	STATUS						
31402-2100	31402-2110	NO	1 X 2	A	ROYAL BLUE	BLUE	BLACK	16.88	(20.80)	TYCO OR MOLEX GET 0.64	064-S-002-1-202	TOOLED						
31402-2200	31402-2210			B			GRAY					TOOLED						
31402-2300	31402-2310			C			BROWN					TOOLED, COLOR UNAVAILABLE						
31402-2400	31402-2410			D			GREEN					TOOLED, COLOR UNAVAILABLE						
31402-2500	31402-2510			B			BLACK					TOOLED						
31402-2600	31402-2610			C			BLACK					TOOLED						
31402-2700	31402-2710			D			BLACK					TOOLED						
31403-2100	31403-2110			A			BLACK					TOOLED						
31403-2200	31403-2210			B			GRAY					TOOLED						
31403-2300	31403-2310			C			BROWN					TOOLED, COLOR UNAVAILABLE						
31403-2400	31403-2410			D			GREEN					TOOLED, COLOR UNAVAILABLE						
31403-2500	31403-2510			B			BLACK					TOOLED BUT NOT VALIDATED						
31403-2600	31403-2610			C			BLACK					TOOLED						
31403-2700	31403-2710			D			BLACK					TOOLED						
31403-2800	31403-2810			C			NATURAL					OK TO TOOL						
31403-2900	31403-2910			D			GRAY			TOOLED								
31404-2100	31404-2110			A			BLACK			NOT TOOLED								
31404-2200	31404-2210			B			GRAY			NOT TOOLED								
31404-2300	31404-2310			C			BROWN			NOT TOOLED								
31404-2400	31404-2410			D			GREEN			NOT TOOLED								
31404-2500	31404-2510			B			BLACK			NOT TOOLED								
31404-2600	31404-2610			C			BLACK			NOT TOOLED								
31404-2700	31404-2710			D			BLACK			NOT TOOLED								
31402-3100	31402-3110			NO			1 X 3			A	LIGHT BLUE	RUST RED	BLACK	18.70	(22.00)	TYCO OR MOLEX GET 0.64	064-S-003-1-201	TOOLED
31402-3200	31402-3210									B			GRAY					TOOLED
31402-3300	31402-3310									C			BROWN					TOOLED, COLOR UNAVAILABLE
31402-3400	31402-3410									D			GREEN					TOOLED, COLOR UNAVAILABLE
31402-3500	31402-3510									B			BLACK					TOOLED
31402-3600	31402-3610									C			BLACK					TOOLED
31402-3700	31402-3710									D			BLACK					TOOLED
31403-3100	31403-3110	A	BLACK		TOOLED													
31403-3200	31403-3210	B	GRAY		TOOLED													
31403-3300	31403-3310	C	BROWN		TOOLED, COLOR UNAVAILABLE													
31403-3400	31403-3410	D	GREEN		TOOLED, COLOR UNAVAILABLE													
31403-3500	31403-3510	B	BLACK		TOOLED													
31403-3600	31403-3610	C	BLACK		TOOLED													
31403-3700	31403-3710	D	BLACK		TOOLED													
31404-3100	31404-3110	A	BLACK		TOOLED													
31404-3200	31404-3210	B	GRAY		TOOLED													
31404-3300	31404-3310	C	BROWN		TOOLED, COLOR UNAVAILABLE													
31404-3400	31404-3410	D	GREEN		TOOLED, COLOR UNAVAILABLE													
31404-3500	31404-3510	B	BLACK		TOOLED													
31404-3600	31404-3610	C	BLACK		TOOLED													
31404-3700	31404-3710	D	BLACK		TOOLED													
31402-4100	31402-4110	NO	1 X 4		A	TBD		TBD	BLACK	21.25			(22.34)			TYCO OR MOLEX GET 0.64	064-S-004-1-202	NOT TOOLED
31402-4200	31402-4210				B				GRAY									NOT TOOLED
31402-4300	31402-4310				C				BROWN									NOT TOOLED
31402-4400	31402-4410				D				GREEN									NOT TOOLED
31402-4500	31402-4510				B				BLACK									NOT TOOLED
31402-4600	31402-4610				C				BLACK									NOT TOOLED
31402-4700	31402-4710				D				BLACK									NOT TOOLED
31403-4100	31403-4110				A				BLACK									NOT TOOLED
31403-4200	31403-4210				B				GRAY									NOT TOOLED
31403-4300	31403-4310			C	BROWN		NOT TOOLED											
31403-4400	31403-4410			D	GREEN		NOT TOOLED											
31403-4500	31403-4510			B	BLACK		NOT TOOLED											
31403-4600	31403-4610			C	BLACK		NOT TOOLED											
31403-4700	31403-4710			D	BLACK		NOT TOOLED											
31404-4100	31404-4110			A	BLACK		NOT TOOLED											
31404-4200	31404-4210			B	GRAY		NOT TOOLED											
31404-4300	31404-4310			C	BROWN		NOT TOOLED											
31404-4400	31404-4410			D	GREEN		NOT TOOLED											
31404-4500	31404-4510			B	BLACK		NOT TOOLED											
31404-4600	31404-4610			C	BLACK		NOT TOOLED											
31404-4700	31404-4710			D	BLACK		NOT TOOLED											

ADD NEW P/N EC NO. UAU2015-0619 DRAWN: JDENG02 2014/11/20 CHKD: APPR: VKOSHY REV DESCRIPTION 2014/11/21	QUALITY SYMBOLS	GENERAL TOLERANCES (UNLESS SPECIFIED)	DIMENSION STYLE	SCALE	DESIGN UNITS	THIRD ANGLE PROJECTION
	▽=0	4 PLACES ± 0.13	MM ONLY	4:1	METRIC	0.64 USCAR CONNECTOR SEALED SINGLE ROW ASSEMBLY molex MATERIAL NO. SD-31402-211 DOCUMENT NO. SD-31402-211 SHEET NO. 3 OF 5
	▽=0	3 PLACES ± 0.13	mm			
	▽=0	2 PLACES ± 0.3	INCH			
▽=0	1 PLACE ± 0.3					
		0 PLACE ±				
		ANGULAR ± 3°				
		DRAFT WHERE APPLICABLE MUST REMAIN WITHIN DIMENSIONS				
			SEE CHART			

PART NUMBER WITHOUT CPA	PART NUMBER WITH CPA	CLIPSLOT OPTION	ROW/ CIRCUITS	KEY*	MATTE SEAL COLOR	PERIMETER SEAL COLOR	CONNECTOR COLOR	WIDTH DIM (A)	MIN. PASS THRU DIA.	FEMALE TERMINAL SUPPLIER	USCAR FOOTPRINT DRAWING NO.	STATUS
31402-5100	31402-5110	NO	1 X 5	A	TBD	TBD	BLACK	23.80	(24.28)	TYCO OR MOLEX GET 0.64	064-S-005-1-202	NOT TOOLED
31402-5200	31402-5210			B			GRAY					NOT TOOLED
31402-5300	31402-5310			C			BROWN					NOT TOOLED
31402-5400	31402-5410			D			GREEN					NOT TOOLED
31402-5500	31402-5510			B			BLACK					NOT TOOLED
31402-5600	31402-5610			C			BLACK					NOT TOOLED
31402-5700	31402-5710			D			BLACK					NOT TOOLED
31403-5100	31403-5110			A			BLACK					NOT TOOLED
31403-5200	31403-5210			B			GRAY					NOT TOOLED
31403-5300	31403-5310			C			BROWN					NOT TOOLED
31403-5400	31403-5410			D			GREEN			NOT TOOLED		
31403-5500	31403-5510			B			BLACK			NOT TOOLED		
31403-5600	31403-5610			C			BLACK			NOT TOOLED		
31403-5700	31403-5710			D			BLACK			NOT TOOLED		
31404-5100	31404-5110			A			BLACK			NOT TOOLED		
31404-5200	31404-5210			B			GRAY			NOT TOOLED		
31404-5300	31404-5310			C			BROWN			NOT TOOLED		
31404-5400	31404-5410			D			GREEN			NOT TOOLED		
31404-5500	31404-5510			B			BLACK			NOT TOOLED		
31404-5600	31404-5610			C			BLACK			NOT TOOLED		
31404-5700	31404-5710	D	BLACK	NOT TOOLED								
31402-6100	31402-6110	NO	1 X 6	A	ROYAL BLUE	LIGHT BLUE	BLACK	26.33	(26.82)	TYCO OR MOLEX GET 0.64	064-S-006-1-202	TOOLED
31402-6200	31402-6210			B			GRAY					TOOLED, COLOR UNAVAILABLE
31402-6300	31402-6310			C			BROWN					TOOLED, COLOR UNAVAILABLE
31402-6400	31402-6410			D			GREEN					TOOLED
31402-6500	31402-6510			B			BLACK					TOOLED
31402-6600	31402-6610			C			BLACK					TOOLED
31402-6700	31402-6710			D			BLACK					TOOLED
31403-6100	31403-6110			A			BLACK					TOOLED
31403-6200	31403-6210			B			GRAY					TOOLED
31403-6300	31403-6310			C			BROWN					TOOLED, COLOR UNAVAILABLE
31403-6400	31403-6410			D			GREEN			TOOLED, COLOR UNAVAILABLE		
31403-6500	31403-6510			B			BLACK			TOOLED		
31403-6600	31403-6610			C			BLACK			TOOLED		
31403-6700	31403-6710			D			BLACK			TOOLED		
31404-6100	31404-6110			A			BLACK			TOOLED		
31404-6200	31404-6210			B			GRAY			TOOLED		
31404-6300	31404-6310			C			BROWN			TOOLED, COLOR UNAVAILABLE		
31404-6400	31404-6410			D			GREEN			TOOLED, COLOR UNAVAILABLE		
31404-6500	31404-6510			B			BLACK			TOOLED		
31404-6600	31404-6610			C			BLACK			TOOLED		
31404-6700	31404-6710	D	BLACK	TOOLED								
31404-6800	31404-6810	C	NATURAL	OK TO TOOL								

ADD NEW P/N EC NO. UAU2015-0819 DRAWN: DENG02 2014/11/20 CHKD: APPR: VKOSHY 2014/11/21 REV DESCRIPTION	QUALITY SYMBOLS ▽=0 ▽=0 ▽=0	GENERAL TOLERANCES (UNLESS SPECIFIED) <table border="1"> <tr><th></th><th>mm</th><th>INCH</th></tr> <tr><td>4 PLACES</td><td>± .03</td><td>± .0012</td></tr> <tr><td>3 PLACES</td><td>± .04</td><td>± .0015</td></tr> <tr><td>2 PLACES</td><td>± 0.13</td><td>± .005</td></tr> <tr><td>1 PLACE</td><td>± 0.3</td><td>± .012</td></tr> <tr><td>0 PLACE</td><td>±</td><td>±</td></tr> </table>		mm	INCH	4 PLACES	± .03	± .0012	3 PLACES	± .04	± .0015	2 PLACES	± 0.13	± .005	1 PLACE	± 0.3	± .012	0 PLACE	±	±	DIMENSION STYLE MM ONLY	SCALE 4:1	DESIGN UNITS METRIC	THIRD ANGLE PROJECTION 	TITLE 0.64 USCAR CONNECTOR SEALED SINGLE ROW ASSEMBLY
		mm	INCH																						
	4 PLACES	± .03	± .0012																						
3 PLACES	± .04	± .0015																							
2 PLACES	± 0.13	± .005																							
1 PLACE	± 0.3	± .012																							
0 PLACE	±	±																							
MATERIAL NO. SEE CHART	DATE DRAWN BY: RCARLSON 2003/09/25 CHECKED BY: RCARLSON 2004/09/28 APPROVED BY: VKOSHY 2010/11/22	DOCUMENT NO. SD-31402-211	SHEET NO. 4 OF 5																						
DRAFT WHERE APPLICABLE MUST REMAIN WITHIN DIMENSIONS				THIS DRAWING CONTAINS INFORMATION THAT IS PROPRIETARY TO MOLEX INCORPORATED AND SHOULD NOT BE USED WITHOUT WRITTEN PERMISSION																					

PART NUMBER WITHOUT CPA	PART NUMBER WITH CPA	CLIPSLOT OPTION	ROW/CIRCUITS	KEY	MATE SEAL COLOR	PERMETER SEAL COLOR	CONNECTOR COLOR	WIDTH DIM (A)	MIN. PASS THRU DIA.	FEMALE TERMINAL SUPPLIER	USCAR FOOTPRINT DRAWING NO.	STATUS							
31402-8100	31402-8110	NO	1 X 8	A	TBD	TBD	BLACK	31.25	(31.90)	TYCO OR MOLEX GET 0.64	064-S-008-1-Z02	NOT TOOLED							
31402-8200	31402-8210			B			GRAY					NOT TOOLED							
31402-8300	31402-8310			C			BROWN					NOT TOOLED							
31402-8400	31402-8410			D			GREEN					NOT TOOLED							
31402-8500	31402-8510			B			BLACK					NOT TOOLED							
31402-8600	31402-8610			C			BLACK					NOT TOOLED							
31402-8700	31402-8710			D			BLACK					NOT TOOLED							
31403-8100	31403-8110			A			BLACK					NOT TOOLED							
31403-8200	31403-8210			B			GRAY					NOT TOOLED							
31403-8300	31403-8310			C			BROWN					NOT TOOLED							
31403-8400	31403-8410			D			GREEN					NOT TOOLED							
31403-8500	31403-8510			B			BLACK					NOT TOOLED							
31403-8600	31403-8610			C			BLACK					NOT TOOLED							
31403-8700	31403-8710			D			BLACK					NOT TOOLED							
31404-8100	31404-8110			A			BLACK					NOT TOOLED							
31404-8200	31404-8210			B			GRAY					NOT TOOLED							
31404-8300	31404-8310			C			BROWN			NOT TOOLED									
31404-8400	31404-8410			D			GREEN			NOT TOOLED									
31404-8500	31404-8510			B			BLACK			NOT TOOLED									
31404-8600	31404-8610			C			BLACK			NOT TOOLED									
31404-8700	31404-8710			D			BLACK			NOT TOOLED									
																	MOLEX 0.64		
																	YAZAKI KAIZEN 0.64		

ADDITIONAL CAVITY PLUG CONFIGURATIONS:

ROW/CIRCUITS	FEMALE TERMINAL	MOLEX P/N WITH CPA	MOLEX P/N WITHOUT CPA	KEY OPTION	CLIPSLOT OPTION	COLOR	CIRCUIT NUMBER: '0' INDICATED PLUG LOCATION						TOTAL CIRCUITS PLUGGED	STATUS	
							1	2	3	4	5	6			
1X6	TYCO/MOLEX GET	31402-6110	31402-6100	A	NO	BLACK							0	TOOLED	
		31402-6111	31402-6101	A	NO	BLACK	0	0	0	0	0	0	6	TOOLED	
		31402-6112	31402-6102	A	NO	BLACK	0	0	0				2	TOOLED	
		31402-6113	31402-6103	A	NO	BLACK							1	TOOLED	
		31402-6114	31402-6104	A	NO	BLACK	0	0	0	0			4	TOOLED	
		31402-6115	31402-6105	A	NO	BLACK					0	0	3	TOOLED	
			31402-6150	31402-6140	A	YES	BLACK						0	TOOLED	
	YAZAKI KAIZEN	MOLEX 0.64	31403-6110	31403-6100	A	NO	BLACK							0	TOOLED
			31403-6111	31403-6101	A	NO	BLACK	0	0	0	0	0	0	6	TOOLED
		31403-6112	31403-6102	A	NO	BLACK					0		1	TOOLED	
		31403-6113	31403-6103	A	NO	BLACK	0	0	0		0		4	TOOLED	
		31404-6110	31404-6100	A	NO	BLACK							0	TOOLED	
		31404-6111	31404-6101	A	NO	BLACK	0	0	0	0	0	0	6	TOOLED	
		31404-6112	31404-6102	A	NO	BLACK	0		0				2	TOOLED	
		31404-6113	31404-6103	A	NO	BLACK	0					0	2	TOOLED	
		31404-6116	31404-6106	A	NO	BLACK						0	1	TOOLED	
		31404-6117	31404-6107	A	NO	BLACK	0		0			0	3	TOOLED	
		31404-6118	31404-6108	A	NO	BLACK	0						1	TOOLED	
		31404-6119	31404-6109	A	NO	BLACK				0	0		3	TOOLED	
		31404-6132	31404-6122	A	NO	BLACK				0			1	TOOLED	
31404-6213		31404-6203	B	NO	GRAY	0					0	2	TOOLED		
31404-6214	31404-6204	B	NO	GRAY						0	1	OK TO TOOL			
31404-6812	31404-6802	C	NO	NATURAL					0	0	3	OK TO TOOL			
1X3	TYCO/MOLEX GET	31402-3113	31402-3103	A	NO	BLACK				0			1	OK TO TOOL	

ADD NEW P/N EC NO. UAU2015-0819 DRAWN: DENG02 2014/11/20 CHKD: APPR: VKOSHY 2014/11/21 REV DESCRIPTION	QUALITY SYMBOLS	GENERAL TOLERANCES (UNLESS SPECIFIED)	DIMENSION STYLE	SCALE	DESIGN UNITS	THIRD ANGLE PROJECTION	
	∇=0 ∇=0 ∇=0	4 PLACES ± --- ± --- 3 PLACES ± --- ± --- 2 PLACES ± 0.13 ± --- 1 PLACE ± 0.3 ± --- 0 PLACE ± ±	mm INCH ANGULAR ± 3 ° DRAFT WHERE APPLICABLE MUST REMAIN WITHIN DIMENSIONS	MM ONLY DRAWN BY DATE RCARLSON 2003/09/25 CHECKED BY DATE RCARLSON 2004/09/28 APPROVED BY DATE VKOSHY 2010/11/22	4:1	METRIC	TITLE 0.64 USCAR CONNECTOR SEALED SINGLE ROW ASSEMBLY MATERIAL NO. SEE CHART DOCUMENT NO. SD-31402-211
	SHEET NO. 5 OF 5		THIS DRAWING CONTAINS INFORMATION THAT IS PROPRIETARY TO MOLEX INCORPORATED AND SHOULD NOT BE USED WITHOUT WRITTEN PERMISSION				

X-ON Electronics

Largest Supplier of Electrical and Electronic Components

Click to view similar products for [Automotive Connectors](#) category:

Click to view products by [Molex](#) manufacturer:

Other Similar products are found below :

[003-018-000](#) [60403001](#) [60993906-B](#) [M902-2131](#) [M902-2161](#) [72.330.1035.1](#) [73.353.4028.0](#) [F119300-B](#) [F166900](#) [F258300-B](#) [F358300-B](#)
[F407400](#) [F444110](#) [F487000](#) [F509500B-B](#) [827153-1](#) [8N1515-32-24P](#) [9-1326729-8](#) [925474-1](#) [928905-1](#) [964562-4](#) [968782-1](#) [GT17SA-8DS-](#)
[HU](#) [98891-1012](#) [98947-1016](#) [12004147](#) [12004475-L](#) [12010290](#) [12010309-B](#) [12015454](#) [12020219-B](#) [12020308](#) [12041318-B](#) [12052225-L](#)
[12052466](#) [12059125](#) [12064869](#) [12004327-B](#) [12010503-B](#) [12015308](#) [12015384](#) [12015909](#) [1-21030-1](#) [12041254](#) [12041318](#) [12047946-B](#)
[12047957](#) [12047957-L](#) [12059473](#) [12066261](#)