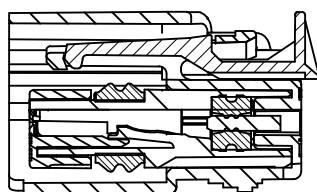
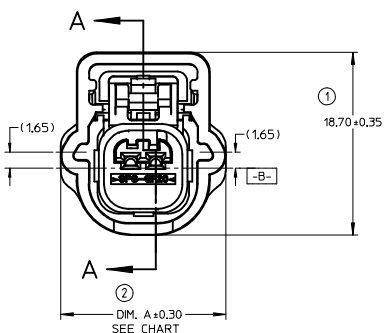


SECTION A-A
TPA SHOWN IN AS-SHIPED
PRE-LOCKED POSITION
SEE NOTE 3

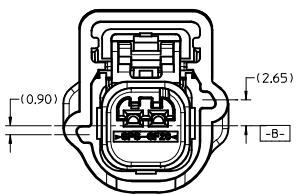


SECTION A-A
TPA SHOWN IN FINAL
LOCKED POSITION

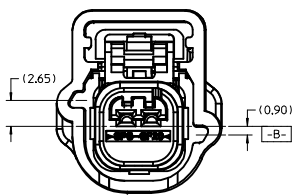


FRONT VIEW

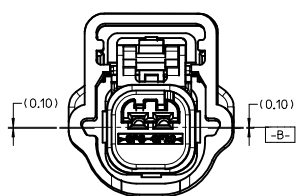
POLARIZATION A



POLARIZATION B



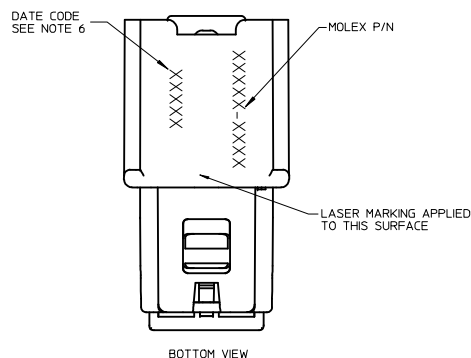
POLARIZATION C



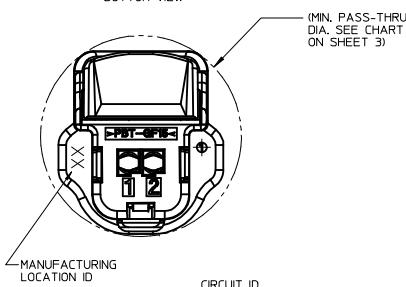
POLARIZATION D

PART NUMBER LEGEND
CONNECTOR ASSEMBLY

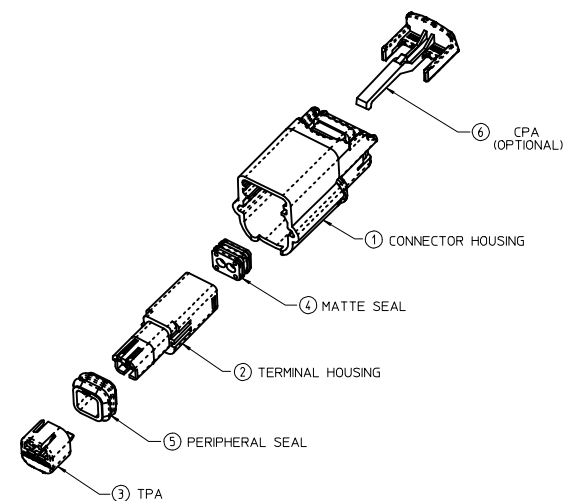
- 3140X-XXXX
- SEAL PLUG CONFIGURATION (AS MOLDED)
0 - ALL CIRCUITS OPEN
1-9 SEE CHART
- CPA OPTION
0 OR 2 - WITHOUT CPA
1 OR 3 - WITH CPA
4 - WITHOUT CPA, WITH CLIPSLOT
5 - WITH CPA, WITH CLIPSLOT
- USCAR POLARIZATION OPTION
1 - POLARIZATION OPTION A
2 - POLARIZATION OPTION B
3 - POLARIZATION OPTION C
4 - POLARIZATION OPTION D
5 - POLARIZATION OPTION B, BLACK
6 - POLARIZATION OPTION C, BLACK
7 - POLARIZATION OPTION D, BLACK
8 - POLARIZATION OPTION C, NATURAL
9 - POLARIZATION OPTION D, GRAY
- CIRCUIT SIZE 2, 3, 4, 5, 6 & 8
- TERMINAL OPTION
2 - TYCO/MOLEX GET 0,64
3 - MOLEX 0,64
4 - YAZAKI KAIZEN 0,64



BOTTOM VIEW



BACK VIEW



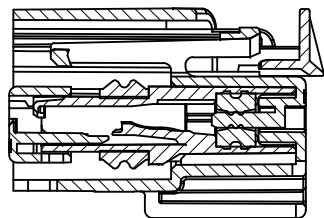
ITEM	DESCRIPTION	COLOR
1	CONNECTOR HOUSING	SEE CHART
2	TERMINAL HOUSING	BLACK
3	TPA	NATURAL
4	MATTE SEAL	SEE CHART
5	PERIPHERAL SEAL	SEE CHART
6	CPA - OPTIONAL	RED

NOTES:

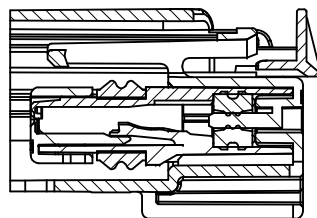
- DESIGNED TO MATE WITH DEVICE CONNECTION AS SPECIFIED IN USCAR DRAWINGS AVAILABLE AT <http://ewcap.uscarteams.org/>.
 - 1X2 064-S-002-1-Z02
 - 1X3 064-S-003-1-Z01
 - 1X4 064-S-004-1-Z02
 - 1X5 064-S-005-1-Z02
 - 1X6 064-S-006-1-Z02
 - 1X8 064-S-008-1-Z02
- ASSEMBLY SHIPPED WITH TPA IN PRE-LOCKED POSITION (SEE SECTION A-A). UPON FULL TERMINAL ASSEMBLY, TPA MUST BE SEATED TO THE FINAL LOCKED POSITION.
- TPA'S MAY BECOME SEATED DURING TRANSIT. IF THIS OCCURS, TPA'S SHOULD BE MOVED TO THE PRE-LOCKED POSITION PRIOR TO FEMALE TERMINAL INSTALLATION. REFERENCE PRODUCT SPECIFICATION: PS-34646-001
- SYSTEM TO BE USED WITH OUTSIDE WIRE DIAMETERS RANGING FROM 1.20MM TO 2.06MM WITHIN RANGE OF:
 - SAE 22 AWG TO 18 AWG PER ESB-ML123-A2
 - ISO 0.35MM² TO 0.75MM² PER GMW15626 AND ES-AU5T-1A348-AA
- POLARIZATION FEATURE EFFECTIVENESS PER USCAR-2 PARAGRAPH 5.4.4 IS REDUCED WHEN TESTING ALL POLARIZATION OPTIONS: 100N MIN.
- DATE CODE: FIRST TWO DIGITS ARE THE CALENDAR YEAR (EXAMPLE: 04 - 2004), THIRD THROUGH 5TH DIGIT DAY # OF THE CALENDAR YEAR (EXAMPLE: FEB. 3RD - '034').
- SEE SHEET #2 FOR CONNECTOR ASSEMBLY WITH CLIP SLOT.
- FOR CLIPSLOT CONNECTOR: CLIP OVERHANGS CONNECTOR. PLEASE CHECK APPLICATION (COULD CAUSE WIRE CHAFING)-SHORTER CLIP IS A RECOMMENDATION.

CONNECTOR ASSEMBLY WITHOUT CLIPSLOT

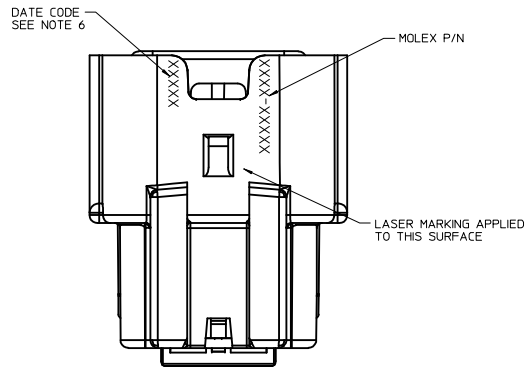
ADD NEW P/N LEC NO: UAU2015-0819 DRAWN: DEN002 CHKD: APPR: VKOSHY	DESCRIPTION 2014/11/21	QUALITY SYMBOLS ▽=0 ▽=0 ▽=0	GENERAL TOLERANCES (UNLESS SPECIFIED):		DIMENSION STYLE MM ONLY		SCALE 4:1	DESIGN UNITS METRIC	THIRD ANGLE PROJECTION
			4 PLACES ± --- INCH	3 PLACES ± --- INCH	2 PLACES ± 0.13 INCH	1 PLACE ± 0.3 INCH	0 PLACE ± INCH	ANGULAR ± 3 °	DRAFT WHERE APPLICABLE MUST REMAIN WITHIN DIMENSIONS
DRAWN BY RCARLSON			DATE 2003/09/25		CHECKED BY RCARLSON		DATE 2004/09/28		0.64 USCAR CONNECTOR SEALED SINGLE ROW ASSEMBLY molex
APPROVED BY VKOSHY			DATE 2010/11/22		MATERIAL NO. SEE CHART		DOCUMENT NO. SD-31402-211		
THIS DRAWING CONTAINS INFORMATION THAT IS PROPRIETARY TO MOLEX INCORPORATED AND SHOULD NOT BE USED WITHOUT WRITTEN PERMISSION									SHEET NO. 1 OF 5



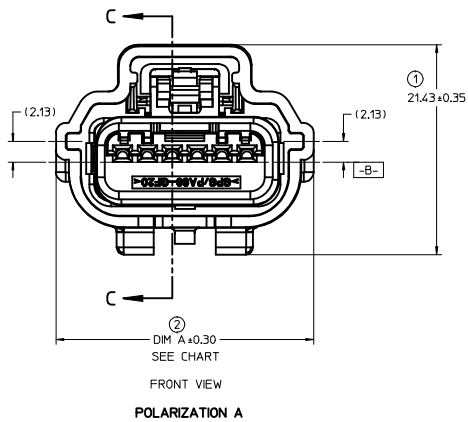
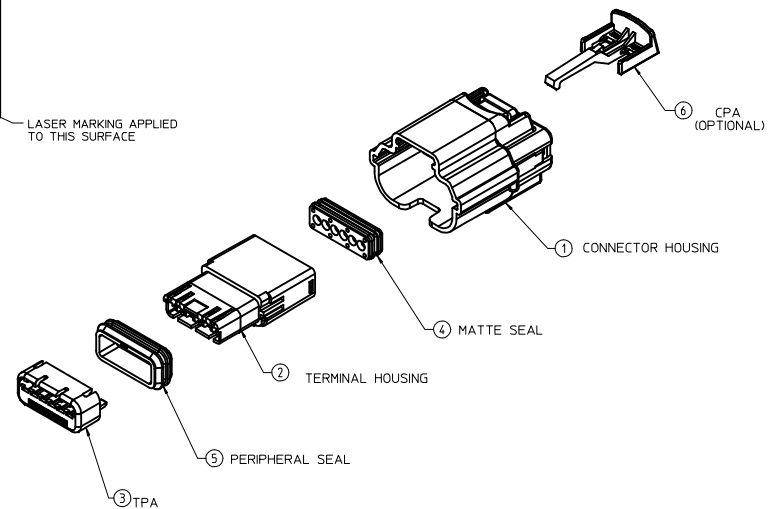
SECTION C-C
TPA SHOWN IN AS-SHIPED
PRE-LOCKED POSITION
SEE NOTE 3



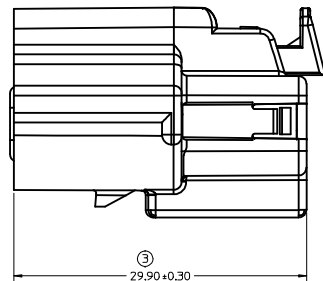
SECTION C-C
TPA SHOWN IN FINAL
LOCKED POSITION



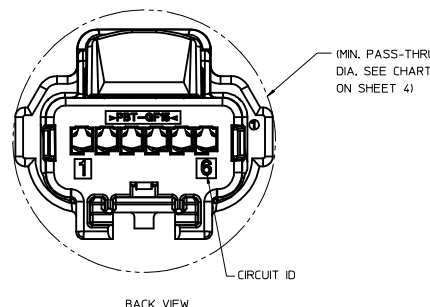
BOTTOM VIEW



POLARIZATION A



RIGHT SIDE VIEW



BACK VIEW

CONNECTOR ASSEMBLY WITH CLIPSLOT

ADD NEW P/N EC NO: UAU2015-0819 DRAWN: JENGOZ 2014/11/20 CHKD: APPR: VKOSHY 2014/11/21 REV DESCRIPTION	QUALITY SYMBOLS	GENERAL TOLERANCES (UNLESS SPECIFIED)	DIMENSION STYLE	SCALE	DESIGN UNITS	THIRD ANGLE PROJECTION
	▽=0	4 PLACES ± mm ± INCH	MM ONLY	4:1	METRIC	☉
	▽=0	3 PLACES ± 0.13 ± ---				
	▽=0	1 PLACE ± 0.3 ± ---				
		ANGULAR ± 3 °	MATERIAL NO.	DATE	TITLE	
		DRAFT WHERE APPLICABLE MUST REMAIN WITHIN DIMENSIONS	SEE CHART	2003/09/25	0.64 USCAR CONNECTOR SEALED SINGLE ROW ASSEMBLY	
			SIZE D	2004/09/28	molex	
				2010/11/22	SD-31402-211	SHEET NO. 2 OF 5
					INCORPORATED AND SHOULD NOT BE USED WITHOUT WRITTEN PERMISSION	

PART NUMBER WITHOUT CPA	PART NUMBER WITH CPA	CLIPSLOT OPTION	ROW/ CIRCUITS	KEY	MATTE SEAL COLOR	PERIMETER SEAL COLOR	CONNECTOR COLOR	WIDTH DIM (A)	MIN. PASS THRU DIA.	FEMALE TERMINAL SUPPLIER	USCAR FOOTPRINT DRAWING NO.	STATUS						
31402-2100	31402-2110	NO	1 X 2	A	ROYAL BLUE	BLUE	BLACK	16.88	(20.80)	TYCO OR MOLEX GET 0.64	064-S-002-1-202	TOOLED						
31402-2200	31402-2210			B			GRAY					TOOLED						
31402-2300	31402-2310			C			BROWN					TOOLED, COLOR UNAVAILABLE						
31402-2400	31402-2410			D			GREEN					TOOLED, COLOR UNAVAILABLE						
31402-2500	31402-2510			B			BLACK					TOOLED						
31402-2600	31402-2610			C			BLACK					TOOLED						
31402-2700	31402-2710			D			BLACK					TOOLED						
31403-2100	31403-2110			A			BLACK					TOOLED						
31403-2200	31403-2210			B			GRAY					TOOLED						
31403-2300	31403-2310			C			BROWN					TOOLED, COLOR UNAVAILABLE						
31403-2400	31403-2410			D			GREEN					TOOLED, COLOR UNAVAILABLE						
31403-2500	31403-2510			B			BLACK					TOOLED BUT NOT VALIDATED						
31403-2600	31403-2610			C			BLACK					TOOLED						
31403-2700	31403-2710			D			BLACK					TOOLED						
31403-2800	31403-2810			C			NATURAL					OK TO TOOL						
31403-2900	31403-2910			D			GRAY			TOOLED								
31404-2100	31404-2110			A			BLACK			NOT TOOLED								
31404-2200	31404-2210			B			GRAY			NOT TOOLED								
31404-2300	31404-2310			C			BROWN			NOT TOOLED								
31404-2400	31404-2410			D			GREEN			NOT TOOLED								
31404-2500	31404-2510			B			BLACK			NOT TOOLED								
31404-2600	31404-2610			C			BLACK			NOT TOOLED								
31404-2700	31404-2710			D			BLACK			NOT TOOLED								
31402-3100	31402-3110			NO			1 X 3			A	LIGHT BLUE	RUST RED	BLACK	18.70	(22.00)	TYCO OR MOLEX GET 0.64	064-S-003-1-201	TOOLED
31402-3200	31402-3210									B			GRAY					TOOLED
31402-3300	31402-3310									C			BROWN					TOOLED, COLOR UNAVAILABLE
31402-3400	31402-3410									D			GREEN					TOOLED, COLOR UNAVAILABLE
31402-3500	31402-3510									B			BLACK					TOOLED
31402-3600	31402-3610									C			BLACK					TOOLED
31402-3700	31402-3710									D			BLACK					TOOLED
31403-3100	31403-3110	A	BLACK		TOOLED													
31403-3200	31403-3210	B	GRAY		TOOLED													
31403-3300	31403-3310	C	BROWN		TOOLED, COLOR UNAVAILABLE													
31403-3400	31403-3410	D	GREEN		TOOLED, COLOR UNAVAILABLE													
31403-3500	31403-3510	B	BLACK		TOOLED													
31403-3600	31403-3610	C	BLACK		TOOLED													
31403-3700	31403-3710	D	BLACK		TOOLED													
31404-3100	31404-3110	A	BLACK		TOOLED													
31404-3200	31404-3210	B	GRAY		TOOLED													
31404-3300	31404-3310	C	BROWN		TOOLED, COLOR UNAVAILABLE													
31404-3400	31404-3410	D	GREEN		TOOLED, COLOR UNAVAILABLE													
31404-3500	31404-3510	B	BLACK		TOOLED													
31404-3600	31404-3610	C	BLACK		TOOLED													
31404-3700	31404-3710	D	BLACK		TOOLED													
31402-4100	31402-4110	NO	1 X 4		A	TBD		TBD	BLACK	21.25			(22.34)			TYCO OR MOLEX GET 0.64	064-S-004-1-202	NOT TOOLED
31402-4200	31402-4210				B				GRAY									NOT TOOLED
31402-4300	31402-4310				C				BROWN									NOT TOOLED
31402-4400	31402-4410				D				GREEN									NOT TOOLED
31402-4500	31402-4510				B				BLACK									NOT TOOLED
31402-4600	31402-4610				C				BLACK									NOT TOOLED
31402-4700	31402-4710				D				BLACK									NOT TOOLED
31403-4100	31403-4110				A				BLACK									NOT TOOLED
31403-4200	31403-4210				B				GRAY									NOT TOOLED
31403-4300	31403-4310			C	BROWN		NOT TOOLED											
31403-4400	31403-4410			D	GREEN		NOT TOOLED											
31403-4500	31403-4510			B	BLACK		NOT TOOLED											
31403-4600	31403-4610			C	BLACK		NOT TOOLED											
31403-4700	31403-4710			D	BLACK		NOT TOOLED											
31404-4100	31404-4110			A	BLACK		NOT TOOLED											
31404-4200	31404-4210			B	GRAY		NOT TOOLED											
31404-4300	31404-4310			C	BROWN		NOT TOOLED											
31404-4400	31404-4410			D	GREEN		NOT TOOLED											
31404-4500	31404-4510			B	BLACK		NOT TOOLED											
31404-4600	31404-4610			C	BLACK		NOT TOOLED											
31404-4700	31404-4710			D	BLACK		NOT TOOLED											

ADD NEW P/N EC NO. UAU2015-0619 DRAWN: JDENG02 2014/11/20 CHKD: APPR: VKOSHY REV DESCRIPTION 2014/11/21	QUALITY SYMBOLS	GENERAL TOLERANCES (UNLESS SPECIFIED)	DIMENSION STYLE	SCALE	DESIGN UNITS	THIRD ANGLE PROJECTION
	▽=0	4 PLACES ± 0.13	MM ONLY	4:1	METRIC	0.64 USCAR CONNECTOR SEALED SINGLE ROW ASSEMBLY molex MATERIAL NO. SD-31402-211 DOCUMENT NO. SD-31402-211 SHEET NO. 3 OF 5
	▽=0	3 PLACES ± 0.13	mm			
	▽=0	2 PLACES ± 0.3	INCH			
▽=0	1 PLACE ± 0.3					
		0 PLACE ±				
		ANGULAR ± 3°				
		DRAFT WHERE APPLICABLE MUST REMAIN WITHIN DIMENSIONS				

PART NUMBER WITHOUT CPA	PART NUMBER WITH CPA	CLIPSLOT OPTION	ROW/ CIRCUITS	KEY*	MATTE SEAL COLOR	PERIMETER SEAL COLOR	CONNECTOR COLOR	WIDTH DIM (A)	MIN. PASS THRU DIA.	FEMALE TERMINAL SUPPLIER	USCAR FOOTPRINT DRAWING NO.	STATUS
31402-5100	31402-5110	NO	1 X 5	A	TBD	TBD	BLACK	23.80	(24.28)	TYCO OR MOLEX GET 0.64	064-S-005-1-202	NOT TOOLED
31402-5200	31402-5210			B			GRAY					NOT TOOLED
31402-5300	31402-5310			C			BROWN					NOT TOOLED
31402-5400	31402-5410			D			GREEN					NOT TOOLED
31402-5500	31402-5510			B			BLACK					NOT TOOLED
31402-5600	31402-5610			C			BLACK					NOT TOOLED
31402-5700	31402-5710			D			BLACK					NOT TOOLED
31403-5100	31403-5110			A			BLACK					NOT TOOLED
31403-5200	31403-5210			B			GRAY					NOT TOOLED
31403-5300	31403-5310			C			BROWN					NOT TOOLED
31403-5400	31403-5410			D			GREEN			NOT TOOLED		
31403-5500	31403-5510			B			BLACK			NOT TOOLED		
31403-5600	31403-5610			C			BLACK			NOT TOOLED		
31403-5700	31403-5710			D			BLACK			NOT TOOLED		
31404-5100	31404-5110			A			BLACK			NOT TOOLED		
31404-5200	31404-5210			B			GRAY			NOT TOOLED		
31404-5300	31404-5310			C			BROWN			NOT TOOLED		
31404-5400	31404-5410			D			GREEN			NOT TOOLED		
31404-5500	31404-5510			B			BLACK			NOT TOOLED		
31404-5600	31404-5610			C			BLACK			NOT TOOLED		
31404-5700	31404-5710	D	BLACK	NOT TOOLED								
31402-6100	31402-6110	NO	1 X 6	A	ROYAL BLUE	LIGHT BLUE	BLACK	26.33	(26.82)	TYCO OR MOLEX GET 0.64	064-S-006-1-202	TOOLED
31402-6200	31402-6210			B			GRAY					TOOLED, COLOR UNAVAILABLE
31402-6300	31402-6310			C			BROWN					TOOLED, COLOR UNAVAILABLE
31402-6400	31402-6410			D			GREEN					TOOLED
31402-6500	31402-6510			B			BLACK					TOOLED
31402-6600	31402-6610			C			BLACK					TOOLED
31402-6700	31402-6710			D			BLACK					TOOLED
31403-6100	31403-6110			A			BLACK					TOOLED
31403-6200	31403-6210			B			GRAY					TOOLED
31403-6300	31403-6310			C			BROWN					TOOLED, COLOR UNAVAILABLE
31403-6400	31403-6410			D			GREEN			TOOLED, COLOR UNAVAILABLE		
31403-6500	31403-6510			B			BLACK			TOOLED		
31403-6600	31403-6610			C			BLACK			TOOLED		
31403-6700	31403-6710			D			BLACK			TOOLED		
31404-6100	31404-6110			A			BLACK			TOOLED		
31404-6200	31404-6210			B			GRAY			TOOLED		
31404-6300	31404-6310			C			BROWN			TOOLED, COLOR UNAVAILABLE		
31404-6400	31404-6410			D			GREEN			TOOLED, COLOR UNAVAILABLE		
31404-6500	31404-6510			B			BLACK			TOOLED		
31404-6600	31404-6610			C			BLACK			TOOLED		
31404-6700	31404-6710	D	BLACK	TOOLED								
31404-6800	31404-6810	C	NATURAL	OK TO TOOL								

ADD NEW P/N EC NO. UAU2015-0819 DRAWN: DENG02 2014/11/20 CHKD: APPR: VKOSHY 2014/11/21 REV DESCRIPTION	QUALITY SYMBOLS	GENERAL TOLERANCES (UNLESS SPECIFIED)	DIMENSION STYLE	SCALE	DESIGN UNITS	THIRD ANGLE PROJECTION
	▽=0	4 PLACES ± mm ± INCH	MM ONLY	4:1	METRIC	
	▽=0	3 PLACES ± 0.13 ± ---				
	▽=0	1 PLACE ± 0.3 ± ---				
	0 PLACE ± ±					
	ANGULAR ± 3 °					
	DRAFT WHERE APPLICABLE MUST REMAIN WITHIN DIMENSIONS					
			DRAWN BY DATE			
			RCARLSON 2003/09/25			
			CHECKED BY DATE			
			RCARLSON 2004/09/28			
			APPROVED BY DATE			
			VKOSHY 2010/11/22			
			MATERIAL NO.			
			SEE CHART			
			DOCUMENT NO.			
			SD-31402-211			
			SHEET NO.			
			4 OF 5			
			THIS DRAWING CONTAINS INFORMATION THAT IS PROPRIETARY TO MOLEX INCORPORATED AND SHOULD NOT BE USED WITHOUT WRITTEN PERMISSION			

PART NUMBER WITHOUT CPA	PART NUMBER WITH CPA	CLIPSLOT OPTION	ROW/CIRCUITS	KEY	MATE SEAL COLOR	PERMETER SEAL COLOR	CONNECTOR COLOR	WIDTH DIM (A)	MIN. PASS THRU DIA.	FEMALE TERMINAL SUPPLIER	USCAR FOOTPRINT DRAWING NO.	STATUS							
31402-8100	31402-8110	NO	1 X 8	A	TBD	TBD	BLACK	31.25	(31.90)	TYCO OR MOLEX GET 0.64	064-S-008-1-Z02	NOT TOOLED							
31402-8200	31402-8210			B			GRAY					NOT TOOLED							
31402-8300	31402-8310			C			BROWN					NOT TOOLED							
31402-8400	31402-8410			D			GREEN					NOT TOOLED							
31402-8500	31402-8510			B			BLACK					NOT TOOLED							
31402-8600	31402-8610			C			BLACK					NOT TOOLED							
31402-8700	31402-8710			D			BLACK					NOT TOOLED							
31403-8100	31403-8110			A			BLACK					NOT TOOLED							
31403-8200	31403-8210			B			GRAY					NOT TOOLED							
31403-8300	31403-8310			C			BROWN					NOT TOOLED							
31403-8400	31403-8410			D			GREEN					NOT TOOLED							
31403-8500	31403-8510			B			BLACK					NOT TOOLED							
31403-8600	31403-8610			C			BLACK					NOT TOOLED							
31403-8700	31403-8710			D			BLACK					NOT TOOLED							
31404-8100	31404-8110			A			BLACK					NOT TOOLED							
31404-8200	31404-8210			B			GRAY					NOT TOOLED							
31404-8300	31404-8310			C			BROWN			NOT TOOLED									
31404-8400	31404-8410			D			GREEN			NOT TOOLED									
31404-8500	31404-8510			B			BLACK			NOT TOOLED									
31404-8600	31404-8610			C			BLACK			NOT TOOLED									
31404-8700	31404-8710			D			BLACK			NOT TOOLED									
																	MOLEX 0.64		
																	YAZAKI KAIZEN 0.64		

ADDITIONAL CAVITY PLUG CONFIGURATIONS:

ROW/CIRCUITS	FEMALE TERMINAL	MOLEX P/N WITH CPA	MOLEX P/N WITHOUT CPA	KEY OPTION	CLIPSLOT OPTION	COLOR	CIRCUIT NUMBER: '0' INDICATED PLUG LOCATION						TOTAL CIRCUITS PLUGGED	STATUS
							1	2	3	4	5	6		
1X6	TYCO/MOLEX GET	31402-6110	31402-6100	A	NO	BLACK							0	TOOLED
		31402-6111	31402-6101	A	NO	BLACK	0	0	0	0	0	0	6	TOOLED
		31402-6112	31402-6102	A	NO	BLACK	0	0	0				2	TOOLED
		31402-6113	31402-6103	A	NO	BLACK							1	TOOLED
		31402-6114	31402-6104	A	NO	BLACK	0	0	0	0			4	TOOLED
		31402-6115	31402-6105	A	NO	BLACK					0	0	3	TOOLED
			31402-6150	31402-6140	A	YES	BLACK						0	TOOLED
		MOLEX 0.64	31403-6110	31403-6100	A	NO	BLACK						0	TOOLED
			31403-6111	31403-6101	A	NO	BLACK	0	0	0	0	0	6	TOOLED
			31403-6112	31403-6102	A	NO	BLACK					0	1	TOOLED
			31403-6113	31403-6103	A	NO	BLACK	0	0	0		0	4	TOOLED (J9)
			31404-6110	31404-6100	A	NO	BLACK						0	TOOLED
			31404-6111	31404-6101	A	NO	BLACK	0	0	0	0	0	6	TOOLED
		YAZAKI KAIZEN	31404-6112	31404-6102	A	NO	BLACK	0		0		0	2	TOOLED
			31404-6113	31404-6103	A	NO	BLACK	0				0	2	TOOLED
			31404-6116	31404-6106	A	NO	BLACK					0	1	TOOLED
			31404-6117	31404-6107	A	NO	BLACK	0		0		0	3	TOOLED
			31404-6118	31404-6108	A	NO	BLACK	0					1	TOOLED
			31404-6119	31404-6109	A	NO	BLACK			0		0	3	TOOLED
			31404-6132	31404-6122	A	NO	BLACK			0			1	TOOLED
	31404-6213		31404-6203	B	NO	GRAY	0					0	2	TOOLED (J10)
		31404-6214	31404-6204	B	NO	GRAY					0	1	OK TO TOOL (K)	
		31404-6812	31404-6802	C	NO	NATURAL				0	0	3	OK TO TOOL (K)	
1X3	TYCO/MOLEX GET	31402-3113	31402-3103	A	NO	BLACK			0			1	OK TO TOOL (K)	

ADD NEW P/N EC NO. UAU2015-0819 DRAWN: DENG02 2014/11/20 CHKD: APPR: VKOSHY 2014/11/21 REV DESCRIPTION	QUALITY SYMBOLS ∇=0 ∇=0 ∇=0	GENERAL TOLERANCES (UNLESS SPECIFIED) 4 PLACES ± --- INCH 3 PLACES ± --- INCH 2 PLACES ± 0.13 INCH 1 PLACE ± 0.3 INCH 0 PLACE ± INCH ANGULAR ± 3 ° DRAFT WHERE APPLICABLE MUST REMAIN WITHIN DIMENSIONS	DIMENSION STYLE MM ONLY	SCALE 4:1	DESIGN UNITS METRIC	THIRD ANGLE PROJECTION 	DRAWN BY DATE R CARLSON 2003/09/25	CHECKED BY DATE R CARLSON 2004/09/28	APPROVED BY DATE VKOSHY 2010/11/22	MATERIAL NO. SEE CHART	DOCUMENT NO. SD-31402-211	SHEET NO. 5 OF 5
	TITLE 0.64 USCAR CONNECTOR SEALED SINGLE ROW ASSEMBLY											
	THIS DRAWING CONTAINS INFORMATION THAT IS PROPRIETARY TO MOLEX INCORPORATED AND SHOULD NOT BE USED WITHOUT WRITTEN PERMISSION											

X-ON Electronics

Largest Supplier of Electrical and Electronic Components

Click to view similar products for [Headers & Wire Housings](#) category:

Click to view products by [Molex](#) manufacturer:

Other Similar products are found below :

[892-18-020-10-001101](#) [58102-G61-06LF](#) [582553-1](#) [0009485154](#) [009176003701906](#) [0050291907](#) [LY20-4P-DT1-P1E-BR](#) [02.125.8002.8](#)
[609-3404](#) [61062-3](#) [622-0430](#) [622-3653LF](#) [63453-116](#) [636-1030](#) [636-1427](#) [636-3427](#) [636-4007](#) [641938-9](#) [641991-4](#) [644827-2](#) [65817-010LF](#)
[65817-015LF](#) [65863-015LF](#) [66207-023LF](#) [67095-007LF](#) [67601157](#) [68648-049](#) [70.362.1628.0](#) [70-4210](#) [70-4226B](#) [70-4853B](#) [707-5020](#) [707-5028](#) [71.350.2428.0](#) [71918-208LF](#) [71961-016LF](#) [733-134](#) [733-162](#) [754199-000](#) [760-3052](#) [787-8014-00](#) [79531-3000](#) [FCN-360C032-B](#) [FCN-367T-T012/H](#) [FCN-723D010/2](#) [80.063.4001.1](#) [800-90-001-10-001000](#) [800-90-010-10-002000](#) [801-43-002-10-013000](#) [801-43-006-10-002000](#)