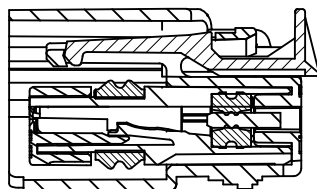
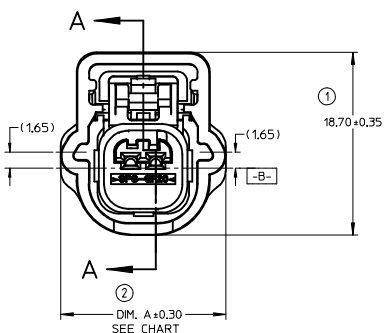


SECTION A-A  
TPA SHOWN IN AS-SHIPED  
PRE-LOCKED POSITION  
SEE NOTE 3

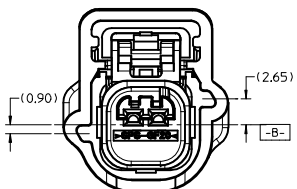


SECTION A-A  
TPA SHOWN IN FINAL  
LOCKED POSITION

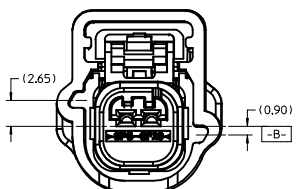


FRONT VIEW

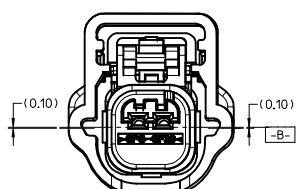
POLARIZATION A



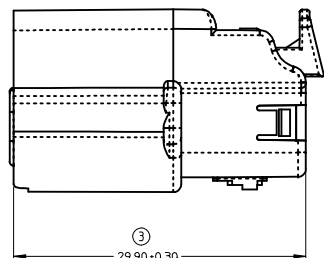
POLARIZATION B



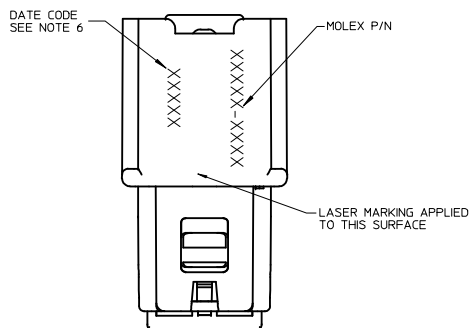
POLARIZATION C



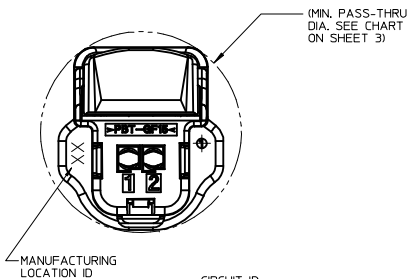
POLARIZATION D



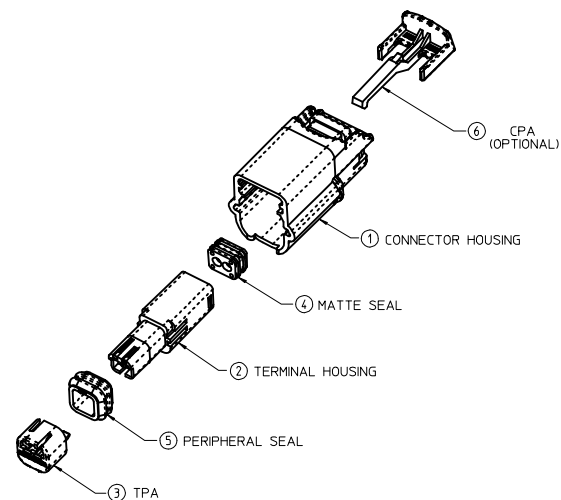
RIGHT SIDE VIEW



BOTTOM VIEW



BACK VIEW



ITEM	DESCRIPTION	COLOR
1	CONNECTOR HOUSING	SEE CHART
2	TERMINAL HOUSING	BLACK
3	TPA	NATURAL
4	MATTE SEAL	SEE CHART
5	PERIPHERAL SEAL	SEE CHART
6	CPA - OPTIONAL	RED

NOTES:

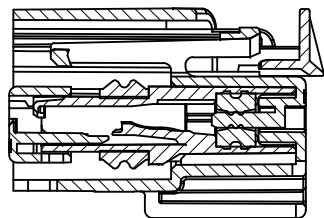
- DESIGNED TO MATE WITH DEVICE CONNECTION AS SPECIFIED IN USCAR DRAWINGS AVAILABLE AT <http://ewcap.uscarteams.org/>.
  - 1X2 064-S-002-1-Z02
  - 1X3 064-S-003-1-Z01
  - 1X4 064-S-004-1-Z02
  - 1X5 064-S-005-1-Z02
  - 1X6 064-S-006-1-Z02
  - 1X8 064-S-008-1-Z02
- ASSEMBLY SHIPPED WITH TPA IN PRE-LOCKED POSITION (SEE SECTION A-A). UPON FULL TERMINAL ASSEMBLY, TPA MUST BE SEATED TO THE FINAL LOCKED POSITION.
- TPA'S MAY BECOME SEATED DURING TRANSIT. IF THIS OCCURS, TPA'S SHOULD BE MOVED TO THE PRE-LOCKED POSITION PRIOR TO FEMALE TERMINAL INSTALLATION. REFERENCE PRODUCT SPECIFICATION: PS-34646-001
- SYSTEM TO BE USED WITH OUTSIDE WIRE DIAMETERS RANGING FROM 1.20MM TO 2.06MM WITHIN RANGE OF:
  - SAE 22 AWG TO 18 AWG PER ESB-ML123-A2
  - ISO 0.35MM<sup>2</sup> TO 0.75MM<sup>2</sup> PER GWM15626 AND ES-AU5T-1A348-AA
- POLARIZATION FEATURE EFFECTIVENESS PER USCAR-2 PARAGRAPH 5.4.4 IS REDUCED WHEN TESTING ALL POLARIZATION OPTIONS: 100N MIN.
- DATE CODE: FIRST TWO DIGITS ARE THE CALENDAR YEAR (EXAMPLE: 04 - 2004), THIRD THROUGH 5TH DIGIT DAY # OF THE CALENDAR YEAR (EXAMPLE: FEB. 3RD - '034').
- SEE SHEET #2 FOR CONNECTOR ASSEMBLY WITH CLIP SLOT.
- FOR CLIPSLLOT CONNECTOR: CLIP OVERHANGS CONNECTOR. PLEASE CHECK APPLICATION (COULD CAUSE WIRE CHAFING)-SHORTER CLIP IS A RECOMMENDATION.

# CONNECTOR ASSEMBLY WITHOUT CLIPSLLOT

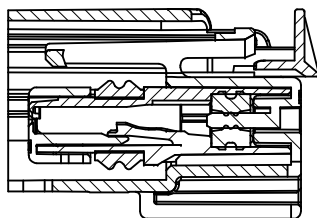
PART NUMBER LEGEND  
CONNECTOR ASSEMBLY

- 3140X-XXXX
- SEAL PLUG CONFIGURATION (AS MOLDED)
    - 0 - ALL CIRCUITS OPEN
    - 1-9 SEE CHART
  - CPA OPTION
    - 0 OR 2 - WITHOUT CPA
    - 1 OR 3 - WITH CPA
    - 4 - WITHOUT CPA, WITH CLIPSLLOT
    - 5 - WITH CPA, WITH CLIPSLLOT
  - USCAR POLARIZATION OPTION
    - 1 - POLARIZATION OPTION A
    - 2 - POLARIZATION OPTION B
    - 3 - POLARIZATION OPTION C
    - 4 - POLARIZATION OPTION D
    - 5 - POLARIZATION OPTION B, BLACK
    - 6 - POLARIZATION OPTION C, BLACK
    - 7 - POLARIZATION OPTION D, BLACK
    - 8 - POLARIZATION OPTION C, NATURAL
    - 9 - POLARIZATION OPTION D, GRAY
  - CIRCUIT SIZE 2, 3, 4, 5, 6 & 8
  - TERMINAL OPTION
    - 2 - TYCO/MOLEX GET 0.64
    - 3 - MOLEX 0.64
    - 4 - YAZAKI KAIZEN 0.64

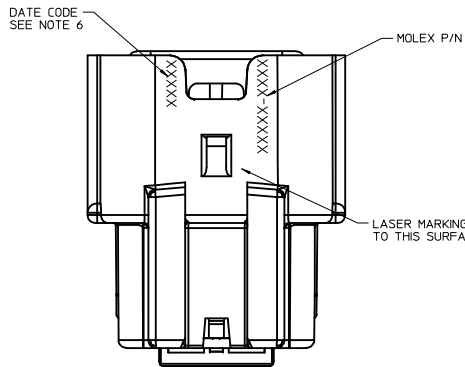
ADD NEW P/N EEC NO: UAU2015-0819 DRWNG: DENG02 2014/11/20 CHKD: K1 APPR: VKOSHY 2014/11/21	QUALITY SYMBOLS	GENERAL TOLERANCES (UNLESS SPECIFIED)	DIMENSION STYLE <b>MM ONLY</b>	SCALE <b>4:1</b>	DESIGN UNITS <b>METRIC</b>	THIRD ANGLE PROJECTION
	▽=0	4 PLACES ± --- INCH	DRAWN BY RCARLSON	DATE 2003/09/25	TITLE <b>0.64 USCAR CONNECTOR SEALED SINGLE ROW ASSEMBLY</b>	
	▽=0	2 PLACES ± --- INCH	CHECKED BY RCARLSON	DATE 2004/09/28	MATERIAL NO. <b>molex</b>	
	▽=0	2 PLACES ±0.13 INCH	APPROVED BY VKOSHY	DATE 2010/11/22	DOCUMENT NO. <b>SD-31402-211</b>	SHEET NO. <b>1 OF 5</b>
DRAFT WHERE APPLICABLE MUST REMAIN WITHIN DIMENSIONS		ANGULAR ± 3 °	SEE CHART		THIS DRAWING CONTAINS INFORMATION THAT IS PROPRIETARY TO MOLEX INCORPORATED AND SHOULD NOT BE USED WITHOUT WRITTEN PERMISSION	



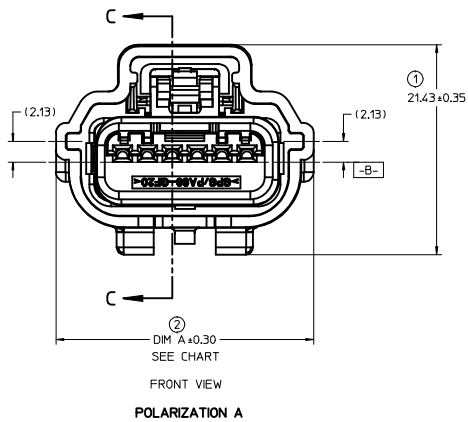
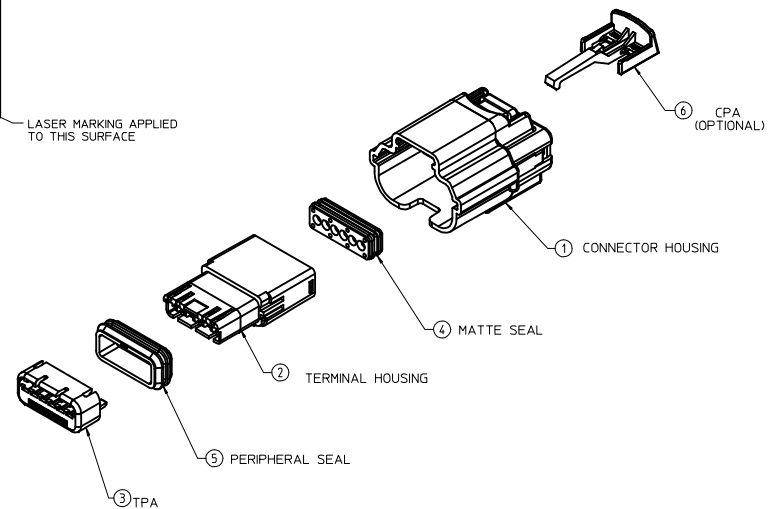
**SECTION C-C**  
TPA SHOWN IN AS-SHIPED  
PRE-LOCKED POSITION  
SEE NOTE 3



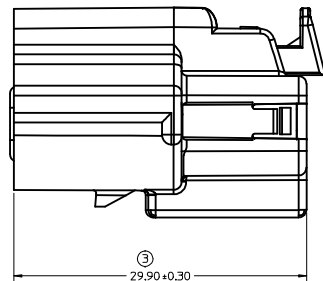
**SECTION C-C**  
TPA SHOWN IN FINAL  
LOCKED POSITION



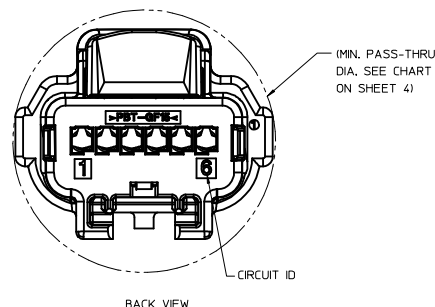
BOTTOM VIEW



**POLARIZATION A**



RIGHT SIDE VIEW



BACK VIEW

# CONNECTOR ASSEMBLY WITH CLIPSLOT

ADD NEW P/N EC NO: UAU2015-0819 DRAWN: JENGOZ 2014/11/20 CHKD: APPR: VKOSHY 2014/11/21 REV K1	QUALITY SYMBOLS	GENERAL TOLERANCES (UNLESS SPECIFIED)	DIMENSION STYLE	SCALE	DESIGN UNITS	THIRD ANGLE PROJECTION
	$\nabla=0$ $\nabla=0$ $\nabla=0$	mm    INCH 4 PLACES ± --- ± --- 3 PLACES ± --- ± --- 2 PLACES ± 0.13 ± --- 1 PLACE ± 0.3 ± --- 0 PLACE ± ±	MM ONLY	4:1	METRIC	
	DRAWN BY: RCARLSON CHECKED BY: RCARLSON APPROVED BY: VKOSHY	DATE: 2003/09/25 DATE: 2004/09/28 DATE: 2010/11/22	MATERIAL NO. <b>SEE CHART</b>	TITLE <b>0.64 USCAR CONNECTOR SEALED SINGLE ROW ASSEMBLY</b>	DOCUMENT NO. <b>SD-31402-211</b>	SHEET NO. 2 OF 5
	THIS DRAWING CONTAINS INFORMATION THAT IS PROPRIETARY TO MOLEX INCORPORATED AND SHOULD NOT BE USED WITHOUT WRITTEN PERMISSION					

PART NUMBER WITHOUT CPA	PART NUMBER WITH CPA	CLIPSLOT OPTION	ROW/ CIRCUITS	KEY	MATTE SEAL COLOR	PERIMETER SEAL COLOR	CONNECTOR COLOR	WIDTH DIM (A)	MIN. PASS THRU DIA.	FEMALE TERMINAL SUPPLIER	USCAR FOOTPRINT DRAWING NO.	STATUS						
31402-2100	31402-2110	NO	1 X 2	A	ROYAL BLUE	BLUE	BLACK	16.88	(20.80)	TYCO OR MOLEX GET 0.64	064-S-002-1-202	TOOLED						
31402-2200	31402-2210			B			GRAY					TOOLED						
31402-2300	31402-2310			C			BROWN					TOOLED, COLOR UNAVAILABLE						
31402-2400	31402-2410			D			GREEN					TOOLED, COLOR UNAVAILABLE						
31402-2500	31402-2510			B			BLACK					TOOLED						
31402-2600	31402-2610			C			BLACK					TOOLED						
31402-2700	31402-2710			D			BLACK					TOOLED						
31403-2100	31403-2110			A			BLACK					TOOLED						
31403-2200	31403-2210			B			GRAY					TOOLED						
31403-2300	31403-2310			C			BROWN					TOOLED, COLOR UNAVAILABLE						
31403-2400	31403-2410			D			GREEN					TOOLED, COLOR UNAVAILABLE						
31403-2500	31403-2510			B			BLACK					TOOLED BUT NOT VALIDATED						
31403-2600	31403-2610			C			BLACK					TOOLED						
31403-2700	31403-2710			D			BLACK					TOOLED						
31403-2800	31403-2810			C			NATURAL					OK TO TOOL						
31403-2900	31403-2910			D			GRAY			TOOLED								
31404-2100	31404-2110			A			BLACK			NOT TOOLED								
31404-2200	31404-2210			B			GRAY			NOT TOOLED								
31404-2300	31404-2310			C			BROWN			NOT TOOLED								
31404-2400	31404-2410			D			GREEN			NOT TOOLED								
31404-2500	31404-2510			B			BLACK			NOT TOOLED								
31404-2600	31404-2610			C			BLACK			NOT TOOLED								
31404-2700	31404-2710			D			BLACK			NOT TOOLED								
31402-3100	31402-3110			NO			1 X 3			A	LIGHT BLUE	RUST RED	BLACK	18.70	(22.00)	TYCO OR MOLEX GET 0.64	064-S-003-1-201	TOOLED
31402-3200	31402-3210									B			GRAY					TOOLED
31402-3300	31402-3310									C			BROWN					TOOLED, COLOR UNAVAILABLE
31402-3400	31402-3410									D			GREEN					TOOLED, COLOR UNAVAILABLE
31402-3500	31402-3510									B			BLACK					TOOLED
31402-3600	31402-3610									C			BLACK					TOOLED
31402-3700	31402-3710									D			BLACK					TOOLED
31403-3100	31403-3110	A	BLACK		TOOLED													
31403-3200	31403-3210	B	GRAY		TOOLED													
31403-3300	31403-3310	C	BROWN		TOOLED, COLOR UNAVAILABLE													
31403-3400	31403-3410	D	GREEN		TOOLED, COLOR UNAVAILABLE													
31403-3500	31403-3510	B	BLACK		TOOLED													
31403-3600	31403-3610	C	BLACK		TOOLED													
31403-3700	31403-3710	D	BLACK		TOOLED													
31404-3100	31404-3110	A	BLACK		TOOLED													
31404-3200	31404-3210	B	GRAY		TOOLED													
31404-3300	31404-3310	C	BROWN		TOOLED, COLOR UNAVAILABLE													
31404-3400	31404-3410	D	GREEN		TOOLED, COLOR UNAVAILABLE													
31404-3500	31404-3510	B	BLACK		TOOLED													
31404-3600	31404-3610	C	BLACK		TOOLED													
31404-3700	31404-3710	D	BLACK		TOOLED													
31402-4100	31402-4110	NO	1 X 4		A	TBD		TBD	BLACK	21.25			(22.34)			TYCO OR MOLEX GET 0.64	064-S-004-1-202	NOT TOOLED
31402-4200	31402-4210				B				GRAY									NOT TOOLED
31402-4300	31402-4310				C				BROWN									NOT TOOLED
31402-4400	31402-4410				D				GREEN									NOT TOOLED
31402-4500	31402-4510				B				BLACK									NOT TOOLED
31402-4600	31402-4610				C				BLACK									NOT TOOLED
31402-4700	31402-4710				D				BLACK									NOT TOOLED
31403-4100	31403-4110				A				BLACK									NOT TOOLED
31403-4200	31403-4210				B				GRAY									NOT TOOLED
31403-4300	31403-4310			C	BROWN		NOT TOOLED											
31403-4400	31403-4410			D	GREEN		NOT TOOLED											
31403-4500	31403-4510			B	BLACK		NOT TOOLED											
31403-4600	31403-4610			C	BLACK		NOT TOOLED											
31403-4700	31403-4710			D	BLACK		NOT TOOLED											
31404-4100	31404-4110			A	BLACK		NOT TOOLED											
31404-4200	31404-4210			B	GRAY		NOT TOOLED											
31404-4300	31404-4310			C	BROWN		NOT TOOLED											
31404-4400	31404-4410			D	GREEN		NOT TOOLED											
31404-4500	31404-4510			B	BLACK		NOT TOOLED											
31404-4600	31404-4610			C	BLACK		NOT TOOLED											
31404-4700	31404-4710			D	BLACK		NOT TOOLED											

ADD NEW P/N EC NO. UAU2015-0619 DRAWN: JDENG02 2014/11/20 CHKD: APPR: VKOSHY REV DESCRIPTION 2014/11/21	QUALITY SYMBOLS	GENERAL TOLERANCES (UNLESS SPECIFIED)	DIMENSION STYLE	SCALE	DESIGN UNITS	THIRD ANGLE PROJECTION
	▽=0	4 PLACES ± 0.13	MM ONLY	4:1	METRIC	0.64 USCAR CONNECTOR SEALED SINGLE ROW ASSEMBLY
	▽=0	3 PLACES ± 0.13	DRAWN BY DATE	DRAWN BY DATE		
	▽=0	2 PLACES ± 0.13	RCARLSON 2003/09/25	CHECKED BY DATE	RCARLSON 2004/09/28	
	1 PLACE ± 0.3	APPROVED BY DATE	APPROVED BY DATE			
	0 PLACE ±	VKOSHY 2010/11/22	MATERIAL NO. SD-31402-211			
	ANGULAR ± 3°		DOCUMENT NO. SD-31402-211			
	DRAFT WHERE APPLICABLE MUST REMAIN WITHIN DIMENSIONS		SHEET NO. 3 OF 5			
			THIS DRAWING CONTAINS INFORMATION THAT IS PROPRIETARY TO MOLEX INCORPORATED AND SHOULD NOT BE USED WITHOUT WRITTEN PERMISSION			



PART NUMBER WITHOUT CPA	PART NUMBER WITH CPA	CLIPSLOT OPTION	ROW/CIRCUITS	KEY	MATE SEAL COLOR	PERMETER SEAL COLOR	CONNECTOR COLOR	WIDTH DIM (A)	MIN. PASS THRU DIA.	FEMALE TERMINAL SUPPLIER	USCAR FOOTPRINT DRAWING NO.	STATUS
31402-8100	31402-8110	NO	1 X 8	A	TBD	TBD	BLACK	31.25	(31.90)	TYCO OR MOLEX GET 0.64	064-S-008-1-Z02	NOT TOOLED
31402-8200	31402-8210			B			GRAY					NOT TOOLED
31402-8300	31402-8310			C			BROWN					NOT TOOLED
31402-8400	31402-8410			D			GREEN					NOT TOOLED
31402-8500	31402-8510			B			BLACK					NOT TOOLED
31402-8600	31402-8610			C			BLACK					NOT TOOLED
31402-8700	31402-8710			D			BLACK					NOT TOOLED
31403-8100	31403-8110			A			BLACK					NOT TOOLED
31403-8200	31403-8210			B			GRAY					NOT TOOLED
31403-8300	31403-8310			C			BROWN					NOT TOOLED
31403-8400	31403-8410			D			GREEN					NOT TOOLED
31403-8500	31403-8510			B			BLACK					NOT TOOLED
31403-8600	31403-8610			C			BLACK					NOT TOOLED
31403-8700	31403-8710			D			BLACK					NOT TOOLED
31404-8100	31404-8110			A			BLACK					NOT TOOLED
31404-8200	31404-8210			B			GRAY					NOT TOOLED
31404-8300	31404-8310			C			BROWN			NOT TOOLED		
31404-8400	31404-8410			D			GREEN			NOT TOOLED		
31404-8500	31404-8510			B			BLACK			NOT TOOLED		
31404-8600	31404-8610			C			BLACK			NOT TOOLED		
31404-8700	31404-8710			D			BLACK			NOT TOOLED		

ADDITIONAL CAVITY PLUG CONFIGURATIONS:

ROW/CIRCUITS	FEMALE TERMINAL	MOLEX P/N WITH CPA	MOLEX P/N WITHOUT CPA	KEY OPTION	CLIPSLOT OPTION	COLOR	CIRCUIT NUMBER: *0* INDICATED PLUG LOCATION						TOTAL CIRCUITS PLUGGED	STATUS
							1	2	3	4	5	6		
1X6	TYCO/MOLEX GET	31402-6110	31402-6100	A	NO	BLACK							0	TOOLED
		31402-6111	31402-6101	A	NO	BLACK	0	0	0	0	0	0	6	TOOLED
		31402-6112	31402-6102	A	NO	BLACK	0	0	0				2	TOOLED
		31402-6113	31402-6103	A	NO	BLACK			0				1	TOOLED
		31402-6114	31402-6104	A	NO	BLACK	0	0	0	0			4	TOOLED
		31402-6115	31402-6105	A	NO	BLACK			0		0	0	3	TOOLED
	31402-6150	31402-6140	A	YES	BLACK							0	TOOLED	
	31403-6110	31403-6100	A	NO	BLACK							0	TOOLED	
	31403-6111	31403-6101	A	NO	BLACK	0	0	0	0	0	0	6	TOOLED	
	31403-6112	31403-6102	A	NO	BLACK			0				1	TOOLED	
	31403-6113	31403-6103	A	NO	BLACK	0	0	0		0		4	TOOLED (J9)	
	31404-6110	31404-6100	A	NO	BLACK							0	TOOLED	
	31404-6111	31404-6101	A	NO	BLACK	0	0	0	0	0	0	6	TOOLED	
	31404-6112	31404-6102	A	NO	BLACK			0				2	TOOLED	
	31404-6113	31404-6103	A	NO	BLACK	0					0	2	TOOLED	
	31404-6116	31404-6106	A	NO	BLACK						0	1	TOOLED	
	31404-6117	31404-6107	A	NO	BLACK	0		0			0	3	TOOLED	
	31404-6118	31404-6108	A	NO	BLACK	0						1	TOOLED	
	31404-6119	31404-6109	A	NO	BLACK			0		0	0	3	TOOLED	
	31404-6132	31404-6122	A	NO	BLACK			0				1	TOOLED	
	31404-6213	31404-6203	B	NO	GRAY	0					0	2	TOOLED (J10)	
	31404-6214	31404-6204	B	NO	GRAY						0	1	OK TO TOOL (K)	
	31404-6812	31404-6802	C	NO	NATURAL				0	0	0	3	OK TO TOOL	
	1X3	TYCO/MOLEX GET	31402-3113	31402-3103	A	NO	BLACK			0			1	OK TO TOOL (K)

<b>ADD NEW P/N</b> EC NO. UAU2015-0819 DRAWN: DENG02 2014/11/20 CHKD: APPR: VKOSHY 2014/11/21 REV DESCRIPTION	QUALITY SYMBOLS ∇=0 ∇=0 ∇=0	GENERAL TOLERANCES (UNLESS SPECIFIED) 4 PLACES ± --- INCH 3 PLACES ± --- INCH 2 PLACES ± 0.13 INCH 1 PLACE ± 0.3 INCH 0 PLACE ± INCH	DIMENSION STYLE <b>MM ONLY</b>	SCALE <b>4:1</b>	DESIGN UNITS <b>METRIC</b>	THIRD ANGLE PROJECTION	
	DRAWN BY: R CARLSON CHECKED BY: R CARLSON APPROVED BY: VKOSHY	DATE: 2003/09/25 DATE: 2004/09/28 DATE: 2010/11/22	TITLE <b>0.64 USCAR CONNECTOR SEALED SINGLE ROW ASSEMBLY</b>	MATERIAL NO. <b>SEE CHART</b>	DOCUMENT NO. <b>SD-31402-211</b>	SHEET NO. <b>5 OF 5</b>	THIS DRAWING CONTAINS INFORMATION THAT IS PROPRIETARY TO MOLEX INCORPORATED AND SHOULD NOT BE USED WITHOUT WRITTEN PERMISSION
	ANGULAR ± 3 ° DRAFT WHERE APPLICABLE MUST REMAIN WITHIN DIMENSIONS						

## X-ON Electronics

Largest Supplier of Electrical and Electronic Components

*Click to view similar products for [Automotive Connectors](#) category:*

*Click to view products by [Molex](#) manufacturer:*

Other Similar products are found below :

[003-018-000](#) [60403001](#) [60993906-B](#) [M902-2131](#) [M902-2161](#) [72.330.1035.1](#) [73.353.4028.0](#) [F119300-B](#) [F166900](#) [F258300-B](#) [F358300-B](#)  
[F407400](#) [F444110](#) [F487000](#) [F509500B-B](#) [827153-1](#) [8N1515-32-24P](#) [9-1326729-8](#) [925474-1](#) [928905-1](#) [964562-4](#) [968782-1](#) [GT17SA-8DS-](#)  
[HU](#) [98891-1012](#) [98947-1016](#) [12004147](#) [12004475-L](#) [12010290](#) [12010309-B](#) [12015454](#) [12020219-B](#) [12020308](#) [12041318-B](#) [12052466](#)  
[12059125](#) [12064869](#) [12004327-B](#) [12010503-B](#) [12015308](#) [12015384](#) [12015909](#) [1-21030-1](#) [12041254](#) [12041318](#) [12047946-B](#) [12047957](#)  
[12047957-L](#) [12059473](#) [12066261](#) [12110546](#)