

BOM AND PIN OUT SHEET

| ASSEMBLY DESCRIPTION | ASSEMBLY PART NUMBER | COMPONENT | | | | | | | BLOCKED TERMINALS | | | | | | | | | | | | | | | | | STATUS | COMMENTS | | | | | | |
|--|----------------------|---|---------------|-----|-------|-----------------|----------|-----------|--|----|----|----|----|----|----|----|----|----|----|----|----|----|----|----|---|--------|----------|---|---|----|----|---|---|
| | | THE PRESENCE OF AN ABBREVIATION INDICATES THE PRESENCE OF THAT COMPONENT. | | | | | | | CAVITY WITH A NUMBER INDICATES BLOCKED TERMINAL POSITION CAVITY WITHOUT A NUMBER INDICATES OPEN TERMINAL POSITION | | | | | | | | | | | | | | | | | | | | | | | | |
| | | OUTER HOUSING KEY/COLOR | INNER HOUSING | PLR | LEVER | LEVER ARM (x/2) | MAT SEAL | RING SEAL | | | | | | | | | | | | | | | | | | | | | | | | | |
| GPEC RCPT CONN 95 CKT END LVR KEY 1/75 | 349920008 | 1-BLACK | IH | PLR | LE | LA | M | R | 1 | - | 3 | - | 5 | - | 7 | - | - | 10 | - | - | - | - | 15 | - | - | 78 | - | - | | | | | |
| | | | | | | | | | 16 | - | - | - | - | - | - | - | - | - | - | - | - | - | - | - | - | - | - | - | - | - | - | - | |
| | | | | | | | | | - | - | - | - | - | - | - | - | - | - | - | - | - | - | - | - | - | 41 | - | - | - | - | - | - | - |
| | | | | | | | | | 46 | - | 48 | - | - | - | - | - | - | - | - | - | - | - | - | - | - | 56 | - | - | - | - | - | - | - |
| | | | | | | | | | 61 | - | 63 | 64 | - | - | - | 67 | 68 | 69 | - | - | - | - | - | - | - | - | - | - | - | 74 | 75 | - | - |
| GPEC RCPT CONN 95 CKT END LVR KEY 1/76 | 349920009 | 1-BLACK | IH | PLR | LE | LA | M | R | 1 | - | 3 | - | 5 | - | 7 | - | - | 10 | - | - | - | - | - | - | - | - | - | - | | | | | |
| | | | | | | | | | 16 | - | - | - | - | - | - | - | - | - | - | - | - | - | - | - | - | - | - | - | - | - | - | | |
| | | | | | | | | | - | - | - | - | - | - | - | - | - | - | - | - | - | - | - | - | - | 41 | - | - | - | - | - | - | - |
| | | | | | | | | | 46 | - | 48 | - | - | - | - | - | - | - | - | - | - | - | - | - | - | 56 | - | - | - | - | - | - | - |
| | | | | | | | | | 61 | - | 63 | 64 | - | - | 66 | 67 | 68 | 69 | - | - | - | - | - | - | - | - | - | - | - | 74 | 75 | - | - |
| GPEC RCPT CONN 95 CKT END LVR KEY 1/80 | 349920010 | 1-BLACK | IH | PLR | LE | LA | M | R | 1 | - | 3 | - | 5 | - | 7 | - | - | 10 | - | - | - | - | - | - | - | - | - | - | | | | | |
| | | | | | | | | | 16 | - | - | - | - | - | - | - | - | - | - | - | - | - | - | - | - | - | - | - | - | - | - | | |
| | | | | | | | | | - | - | - | - | - | - | - | - | - | - | - | - | - | - | - | - | - | 41 | - | - | - | - | - | - | - |
| | | | | | | | | | 46 | - | 48 | - | - | - | - | - | - | - | - | - | - | - | - | - | - | 56 | - | - | - | - | - | - | - |
| | | | | | | | | | 61 | - | 63 | 64 | - | - | - | - | - | - | - | - | - | - | - | - | - | - | - | - | - | - | - | - | - |
| GPEC RCPT CONN 95 CKT END LVR KEY 1/79 | 349920011 | 1-BLACK | IH | PLR | LE | LA | M | R | 1 | - | - | - | - | - | - | - | - | - | - | - | - | - | - | 15 | - | - | 78 | - | - | | | | |
| | | | | | | | | | 16 | - | - | - | - | - | - | 22 | - | - | - | - | - | - | - | - | - | - | - | - | - | - | - | - | |
| | | | | | | | | | - | - | - | - | - | - | - | - | - | - | - | - | - | - | - | - | - | - | - | - | - | - | - | - | - |
| | | | | | | | | | - | - | - | - | - | - | - | - | - | - | - | - | - | 55 | 56 | - | - | - | - | - | - | - | - | - | - |
| | | | | | | | | | - | 62 | 63 | 64 | - | - | 67 | 68 | 69 | - | - | - | - | - | - | - | - | - | - | - | - | 74 | 75 | - | - |
| GPEC RCPT CONN 95 CKT END LVR KEY 1/74 | 349920012 | 1-BLACK | IH | PLR | LE | LA | M | R | - | - | 3 | - | - | - | - | - | 9 | 10 | - | 12 | - | - | - | - | - | - | - | - | | | | | |
| | | | | | | | | | - | - | 18 | - | - | - | - | - | - | 24 | 25 | - | - | - | - | - | - | - | - | - | - | - | - | - | |
| | | | | | | | | | 31 | - | - | - | - | - | - | - | - | - | - | - | - | - | - | - | - | - | - | - | - | - | - | - | - |
| | | | | | | | | | - | 47 | 48 | - | - | - | - | - | - | - | - | - | - | - | - | - | - | 56 | - | - | - | - | - | - | - |
| | | | | | | | | | - | - | - | 64 | 65 | - | - | 68 | 69 | - | 71 | - | - | - | - | - | - | - | - | - | - | 74 | 75 | - | - |
| GPEC RCPT CONN 95 CKT END LVR KEY 1/83 | 349920013 | 1-BLACK | IH | PLR | LE | LA | M | R | 1 | - | - | - | - | - | - | - | - | - | - | - | - | - | - | - | - | - | - | - | | | | | |
| | | | | | | | | | 16 | - | - | - | - | - | - | - | - | - | - | - | - | - | - | - | - | - | - | - | - | - | - | - | |
| | | | | | | | | | - | - | - | - | - | - | - | - | - | - | - | - | - | - | - | - | - | - | - | - | - | - | - | - | - |
| | | | | | | | | | - | - | - | - | - | - | - | - | - | - | - | - | - | 55 | 56 | - | - | - | - | - | - | - | - | - | - |
| | | | | | | | | | - | 62 | 63 | 64 | - | - | 67 | 68 | 69 | - | - | - | - | - | - | - | - | - | - | - | - | - | - | - | - |
| GPEC RCPT CONN 95 CKT END LVR KEY 1/79 | 349920014 | 1-BLACK | IH | PLR | LE | LA | M | R | - | - | - | - | - | - | - | - | 9 | - | - | - | - | - | - | - | - | - | - | - | - | | | | |
| | | | | | | | | | - | - | 18 | - | - | - | - | - | - | 24 | 25 | - | - | - | - | - | - | - | - | - | - | - | - | - | |
| | | | | | | | | | - | - | - | - | - | - | - | - | - | - | - | - | - | - | - | - | - | - | - | - | - | - | - | - | - |
| | | | | | | | | | - | 47 | 48 | - | - | - | - | - | - | - | - | - | - | - | - | - | - | 56 | - | - | - | - | - | - | - |
| | | | | | | | | | - | - | - | 64 | 65 | - | - | 68 | 69 | - | 71 | - | - | - | - | - | - | - | - | - | - | 74 | 75 | - | - |
| GPEC RCPT CONN 95 CKT END LVR KEY 1/82 | 349920015 | 1-BLACK | IH | PLR | LE | LA | M | R | - | - | - | - | - | - | - | - | 9 | - | - | - | - | - | - | - | - | - | - | - | - | | | | |
| | | | | | | | | | - | - | 18 | - | - | - | - | - | - | 24 | 25 | - | - | - | - | - | - | - | - | - | - | - | - | - | |
| | | | | | | | | | - | - | - | - | - | - | - | - | - | - | - | - | - | - | - | - | - | - | - | - | - | - | - | - | - |
| | | | | | | | | | - | - | - | - | - | - | - | - | - | - | - | - | - | - | - | - | - | - | - | - | - | - | - | - | - |
| | | | | | | | | | - | - | - | 64 | 65 | - | - | 68 | 69 | - | 71 | - | - | - | - | - | - | - | - | - | - | 74 | 75 | - | - |
| GPEC RCPT CONN 95 CKT END LVR KEY 1/77 | 349920016 | 1-BLACK | IH | PLR | LE | LA | M | R | 1 | - | - | - | - | - | - | - | - | - | - | - | - | - | - | - | - | - | - | - | | | | | |
| | | | | | | | | | 16 | - | - | - | - | - | - | 22 | - | - | - | - | - | - | - | - | - | - | - | - | - | - | - | - | |
| | | | | | | | | | - | - | - | - | - | - | - | - | - | - | - | - | - | - | - | - | - | - | - | - | - | - | - | - | - |
| | | | | | | | | | - | - | - | - | - | - | - | - | - | - | - | - | - | 55 | 56 | 57 | - | - | - | - | - | - | - | - | - |
| | | | | | | | | | - | 62 | 63 | 64 | - | 66 | 67 | 68 | 69 | - | - | - | - | - | - | - | - | - | - | - | - | 74 | 75 | - | - |
| GPEC RCPT CONN 95 CKT END LVR KEY 1/67 | 349920017 | 1-BLACK | IH | PLR | LE | LA | M | R | - | - | 3 | - | - | - | - | - | 9 | 10 | - | 12 | - | - | - | - | - | - | - | - | - | | | | |
| | | | | | | | | | - | - | 18 | - | - | - | - | - | - | 24 | 25 | - | - | - | - | - | - | - | - | - | - | - | - | - | |
| | | | | | | | | | 31 | - | - | - | - | - | - | - | - | - | - | - | - | - | - | - | - | - | - | - | - | - | - | - | - |
| | | | | | | | | | - | - | - | - | - | - | - | - | - | - | - | - | - | - | - | - | - | - | - | - | - | - | - | - | - |
| | | | | | | | | | - | 62 | 63 | 64 | 65 | - | - | 68 | 69 | 70 | 71 | 72 | 73 | 74 | 75 | - | - | - | - | - | - | - | - | - | - |

BOM AND PIN OUT SHEET

| ASSEMBLY DESCRIPTION | ASSEMBLY PART NUMBER | COMPONENT | | | | | | | BLOCKED TERMINALS | | | | | | | | | | | | | | | | | STATUS | COMMENTS | | |
|--|----------------------|---|---------------|-----|-------|-----------------|----------|-----------|--|----|----|----|----|----|----|----|----|----|----|----|----|----|----|----|----|--------|----------|----|---|
| | | THE PRESENCE OF AN ABBREVIATION INDICATES THE PRESENCE OF THAT COMPONENT. | | | | | | | CAVITY WITH A NUMBER INDICATES BLOCKED TERMINAL POSITION CAVITY WITHOUT A NUMBER INDICATES OPEN TERMINAL POSITION | | | | | | | | | | | | | | | | | | | | |
| | | OUTER HOUSING KEY/COLOR | INNER HOUSING | PLR | LEVER | LEVER ARM (x/2) | MAT SEAL | RING SEAL | | | | | | | | | | | | | | | | | | | | | |
| GPEC RCPT CONN 95 CKT TOP LVR KEY 3/68 | 349925005 | 3-BLACK | IH | PLR | LT | LA | M | R | - | - | - | 4 | 5 | - | - | 8 | - | - | - | - | - | 14 | 15 | - | 77 | - | 79 | - | |
| | | | | | | | | | - | 17 | - | 19 | - | - | - | 23 | - | 25 | 26 | - | 28 | - | 30 | - | - | - | - | - | |
| | | | | | | | | | - | - | - | - | - | - | - | - | - | - | - | - | - | - | - | - | - | - | - | - | - |
| | | | | | | | | | 46 | - | - | 49 | - | - | - | - | - | - | 56 | 57 | 58 | 59 | - | - | - | - | - | - | |
| | | | | | | | | | - | - | - | 64 | - | - | 67 | - | 69 | - | - | - | - | 73 | - | 75 | 91 | 92 | - | - | - |
| GPEC RCPT CONN 95 CKT TOP LVR KEY 3/49 | 349925006 | 3-BLACK | IH | PLR | LT | LA | M | R | - | - | - | 4 | 5 | - | - | 8 | - | - | - | - | - | 14 | 15 | - | 77 | 78 | 79 | - | |
| | | | | | | | | | 16 | 17 | 18 | 19 | 20 | 21 | 22 | 23 | - | 25 | 26 | - | 28 | 29 | 30 | 81 | - | - | - | - | |
| | | | | | | | | | - | - | - | - | - | - | - | - | - | - | 40 | - | - | - | - | - | - | - | - | - | - |
| | | | | | | | | | 46 | - | 48 | 49 | - | 51 | - | - | 54 | 55 | 56 | 57 | 58 | 59 | - | 86 | - | - | - | - | |
| | | | | | | | | | 61 | - | - | 64 | - | 66 | 67 | 68 | 69 | 70 | 71 | 72 | - | - | 75 | 91 | 92 | - | - | - | |
| GPEC RCPT CONN 95 CKT TOP LVR KEY 3/47 | 349925007 | 3-BLACK | IH | PLR | LT | LA | M | R | - | - | 3 | 4 | 5 | - | - | 8 | - | - | - | - | - | 14 | 15 | 76 | 77 | 78 | 79 | - | |
| | | | | | | | | | 16 | 17 | 18 | 19 | 20 | 21 | 22 | 23 | - | 25 | 26 | - | 28 | 29 | 30 | 81 | - | - | - | - | |
| | | | | | | | | | - | - | - | - | - | - | - | - | - | - | 40 | - | - | - | - | - | - | - | - | - | - |
| | | | | | | | | | 46 | 47 | 48 | 49 | - | 51 | - | - | 54 | 55 | 56 | 57 | - | 59 | - | 86 | - | - | - | - | |
| | | | | | | | | | 61 | - | - | - | - | 66 | 67 | 68 | - | 70 | - | 72 | 73 | 74 | 75 | 91 | 92 | 93 | - | - | |
| GPEC RCPT CONN 95 CKT TOP LVR KEY 3/57 | 349925008 | 3-BLACK | IH | PLR | LT | LA | M | R | - | - | - | - | - | - | - | - | - | - | - | - | - | - | - | - | - | - | - | - | |
| | | | | | | | | | - | - | - | - | - | 21 | - | 23 | - | 25 | 26 | - | - | - | - | - | - | - | - | - | |
| | | | | | | | | | - | 32 | 33 | - | - | - | - | - | 39 | - | 41 | - | 43 | 44 | - | - | - | - | - | - | |
| | | | | | | | | | - | - | 48 | 49 | 50 | 51 | 52 | - | - | 55 | 56 | - | 58 | - | 60 | - | - | 88 | 89 | - | |
| | | | | | | | | | 61 | 62 | 63 | 64 | 65 | 66 | 67 | 68 | 69 | 70 | 71 | 72 | 73 | 74 | 75 | - | - | 93 | 94 | - | |
| GPEC RCPT CONN 95 CKT TOP LVR KEY 3/53 | 349925009 | 3-BLACK | IH | PLR | LT | LA | M | R | - | - | - | 4 | - | - | - | - | - | - | - | - | - | - | - | - | - | - | - | - | |
| | | | | | | | | | - | - | - | - | - | 21 | - | 23 | - | 25 | 26 | - | - | - | - | - | - | - | - | - | |
| | | | | | | | | | - | 32 | 33 | - | - | - | 37 | - | 39 | - | 41 | - | 43 | 44 | - | - | - | - | - | - | |
| | | | | | | | | | - | - | 48 | 49 | 50 | 51 | 52 | - | - | 55 | 56 | - | 58 | - | 60 | - | 87 | 88 | 89 | - | |
| | | | | | | | | | 61 | 62 | 63 | 64 | 65 | 66 | 67 | 68 | 69 | 70 | 71 | 72 | 73 | 74 | 75 | - | 92 | 93 | 94 | - | |
| GPEC RCPT CONN 95 CKT TOP LVR KEY 3/44 | 349925010 | 3-BLACK | IH | PLR | LT | LA | M | R | - | - | - | 4 | 5 | - | 7 | 8 | - | - | - | 12 | 13 | 14 | 15 | - | 77 | 78 | 79 | - | |
| | | | | | | | | | 16 | 17 | 18 | 19 | 20 | 21 | - | 23 | 24 | 25 | 26 | - | 28 | 29 | 30 | 81 | - | - | - | - | |
| | | | | | | | | | - | - | - | - | - | - | - | - | - | - | - | - | - | - | - | - | - | - | - | - | - |
| | | | | | | | | | 46 | 47 | - | 49 | - | 51 | 52 | 53 | 54 | 55 | 56 | 57 | 58 | 59 | 60 | 86 | - | - | - | - | |
| | | | | | | | | | 61 | - | - | - | - | 66 | 67 | 68 | 69 | 70 | 71 | - | 73 | 74 | 75 | 91 | 92 | - | - | - | |
| GPEC RCPT CONN 95 CKT END LVR KEY 4/95 | 349926001 | 4-BLACK | IH | PLR | LE | LA | M | R | - | - | - | - | - | - | - | - | - | - | - | - | - | - | - | - | - | - | - | - | |
| | | | | | | | | | - | - | - | - | - | - | - | - | - | - | - | - | - | - | - | - | - | - | - | - | |
| | | | | | | | | | - | - | - | - | - | - | - | - | - | - | - | - | - | - | - | - | - | - | - | - | - |
| | | | | | | | | | - | - | - | - | - | - | - | - | - | - | - | - | - | - | - | - | - | - | - | - | - |
| | | | | | | | | | - | - | - | - | - | - | - | - | - | - | - | - | - | - | - | - | - | - | - | - | - |
| GPEC RCPT CONN 95 CKT END LVR KEY 4/72 | 349926002 | 4-BLACK | IH | PLR | LE | LA | M | R | - | - | 3 | - | - | 6 | 7 | - | 9 | - | - | - | - | - | 15 | - | - | - | - | - | |
| | | | | | | | | | - | - | - | - | 20 | 21 | 22 | - | - | - | - | - | - | - | - | - | - | - | - | 85 | |
| | | | | | | | | | - | - | - | 34 | 35 | 36 | 37 | 38 | 39 | - | - | - | - | - | - | - | - | - | - | - | |
| | | | | | | | | | 46 | 47 | 48 | 49 | - | - | - | - | - | - | 56 | - | - | - | - | 86 | - | - | - | - | |
| | | | | | | | | | - | - | 63 | - | - | - | - | - | 69 | - | - | - | - | - | - | - | - | - | - | - | |
| GPEC RCPT CONN 95 CKT END LVR KEY 4/72 | 349926003 | 4-BLACK | IH | PLR | LE | LA | M | R | - | 2 | - | - | - | 6 | 7 | - | - | - | 11 | 12 | 13 | 14 | - | - | - | - | - | - | |
| | | | | | | | | | - | - | - | 19 | - | 21 | - | - | - | - | - | - | 27 | 28 | - | - | - | 82 | - | - | - |
| | | | | | | | | | 31 | - | - | - | - | - | - | - | - | - | 41 | - | - | - | 45 | - | - | - | - | - | |
| | | | | | | | | | 46 | 47 | - | - | - | - | - | - | - | - | - | - | - | - | - | - | 87 | - | - | - | |
| | | | | | | | | | 61 | - | - | 64 | - | - | 67 | - | - | - | - | - | 72 | - | 74 | - | - | - | - | - | - |
| GPEC RCPT CONN 95 CKT END LVR KEY 4/63 | 349926004 | 4-BLACK | IH | PLR | LE | LA | M | R | - | 2 | - | - | 5 | 6 | 7 | - | - | - | 11 | 12 | 13 | 14 | - | - | - | 78 | - | - | |
| | | | | | | | | | - | - | - | 19 | - | 21 | - | - | - | - | - | - | 27 | 28 | - | - | - | 82 | 83 | - | - |
| | | | | | | | | | 31 | - | - | - | 35 | - | - | - | - | - | 41 | - | - | - | 45 | - | - | - | - | - | |
| | | | | | | | | | 46 | 47 | - | - | - | - | - | - | - | - | - | - | 57 | 58 | 59 | - | - | 87 | 88 | - | - |
| | | | | | | | | | 61 | - | - | 64 | - | - | 67 | - | - | - | - | - | 72 | - | 74 | - | - | - | 93 | - | - |

F
E
D
C
B
A

TPA SHOWN IN OPEN POSITION AND
LEVER IN PRE-MATE POSITION

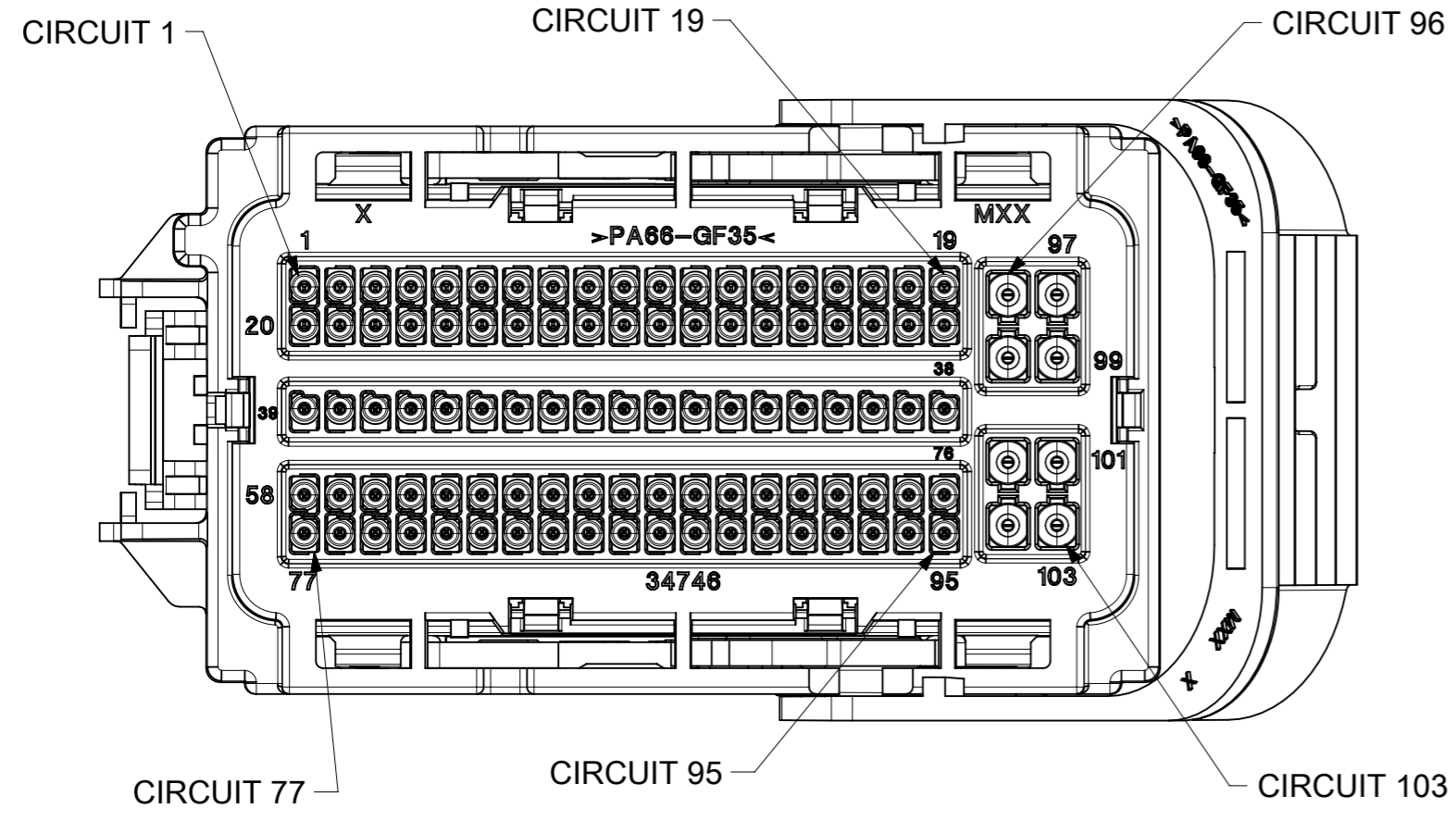
61.08 ±1.50 (7)

(69.33)

(67.94)

(R54.38) LEVER SWING ARM
(45°) ROTATION

TPA SHOWN IN CLOSED POSITION AND LEVER IN MA
LOCKING FEATURES TO BE DESIGNED INTO DRESS COVER



VIEW SHOWN WITH
MOLDED IN CAVITY PLUGS

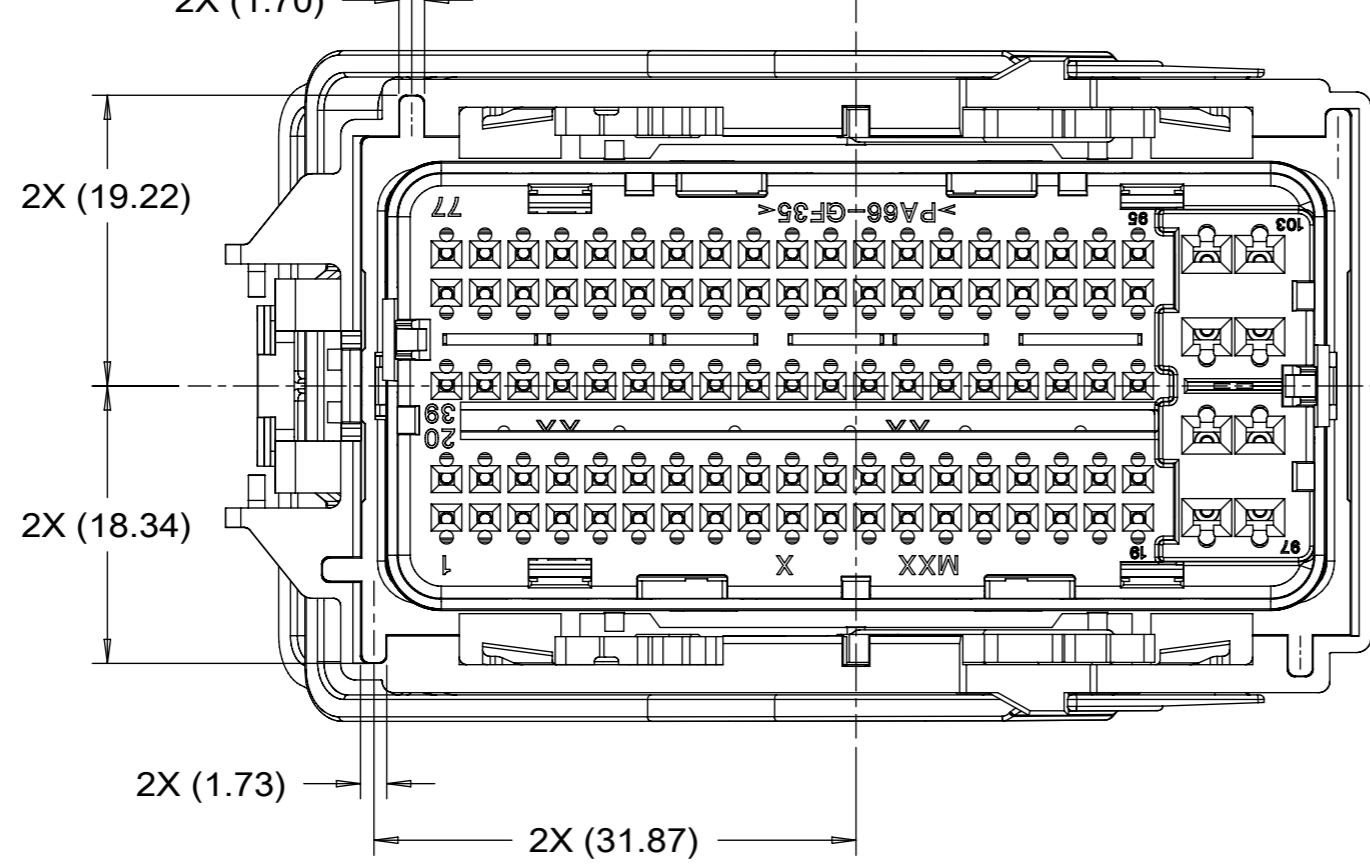
(Ø78.67)
PASS THROUGH

(1)
CLEARANCE

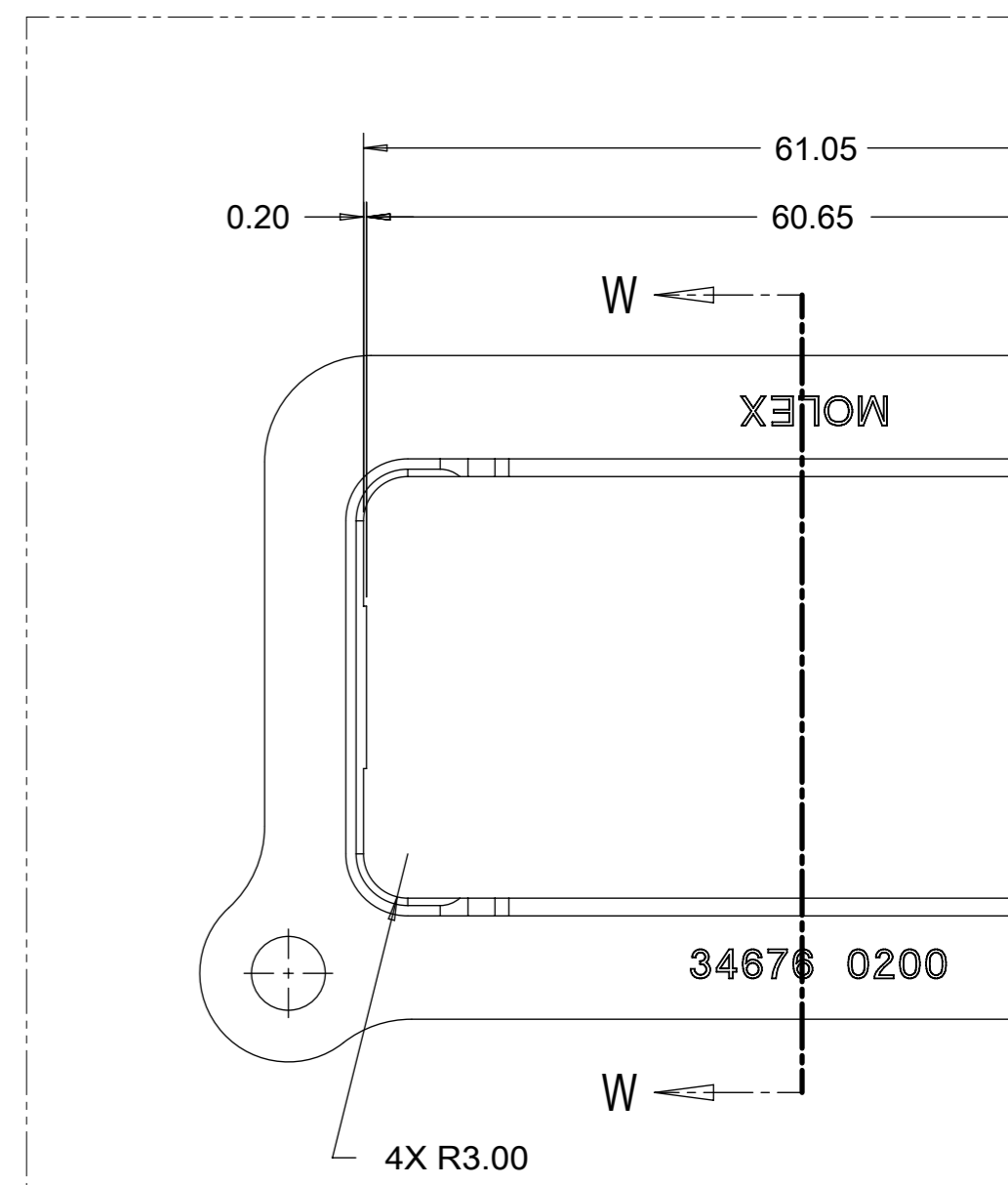
SCALE 1:1

OVER-THE-TOP LEVER OPTION
P/N 34993-1001, KEY 1

| | | | | |
|-----------------|----|--------------|------------|----------|
| DOCUMENT STATUS | P1 | RELEASE DATE | 2021/09/28 | 01:26:06 |
|-----------------|----|--------------|------------|----------|

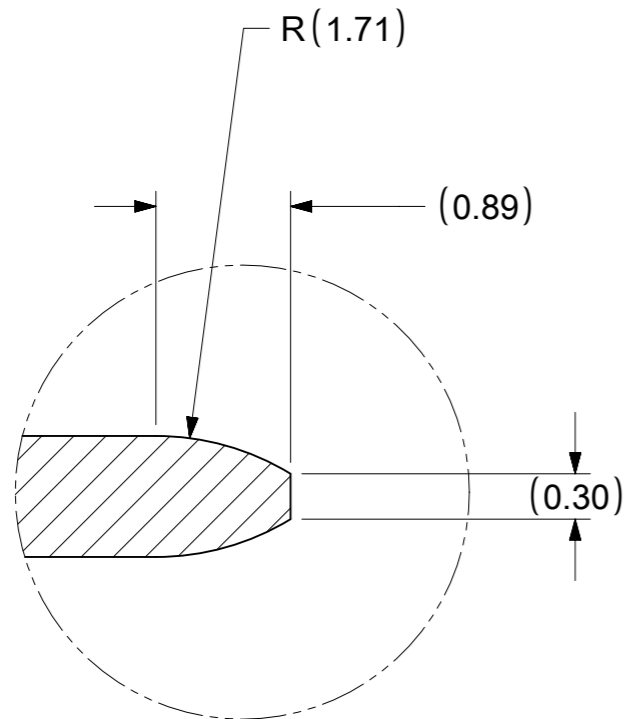


34993-4XXX (END LATCH LEVER)
 34993-5XXX (TOP LATCH LEVER)
 KEY OPTION 3

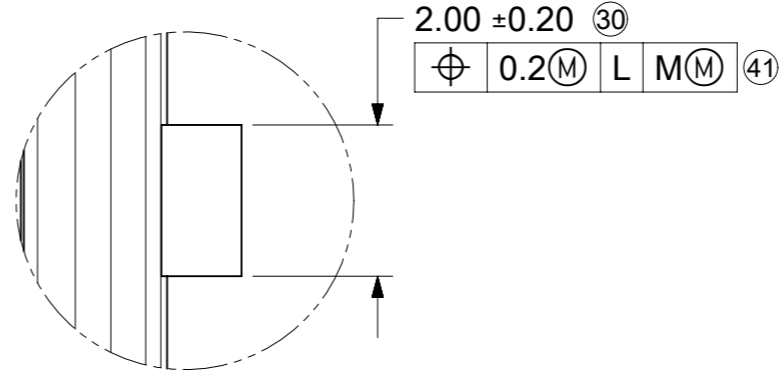


TPA

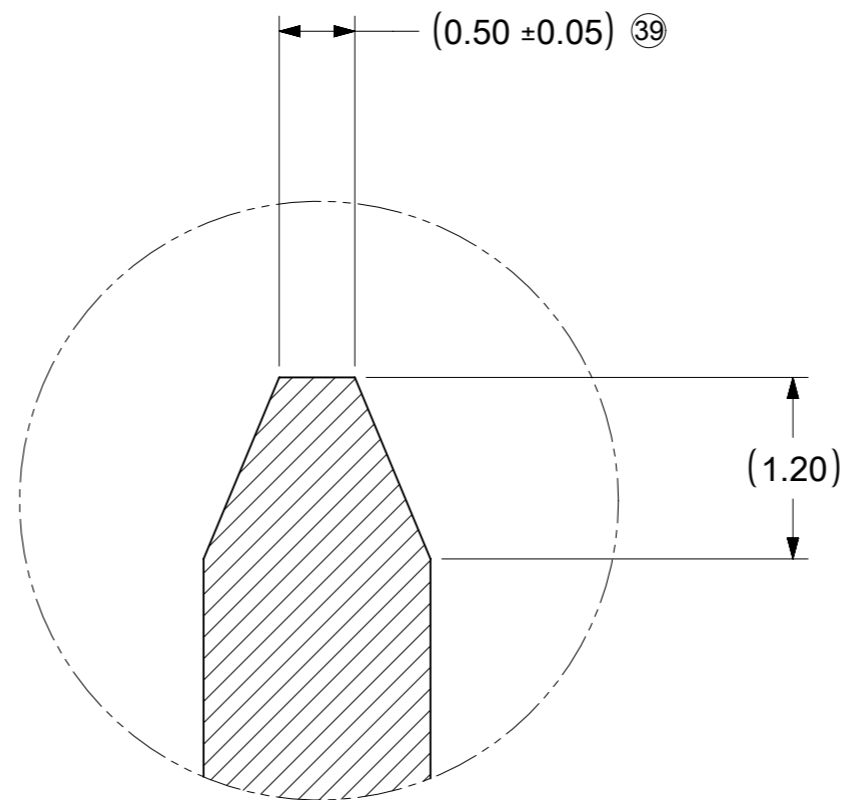
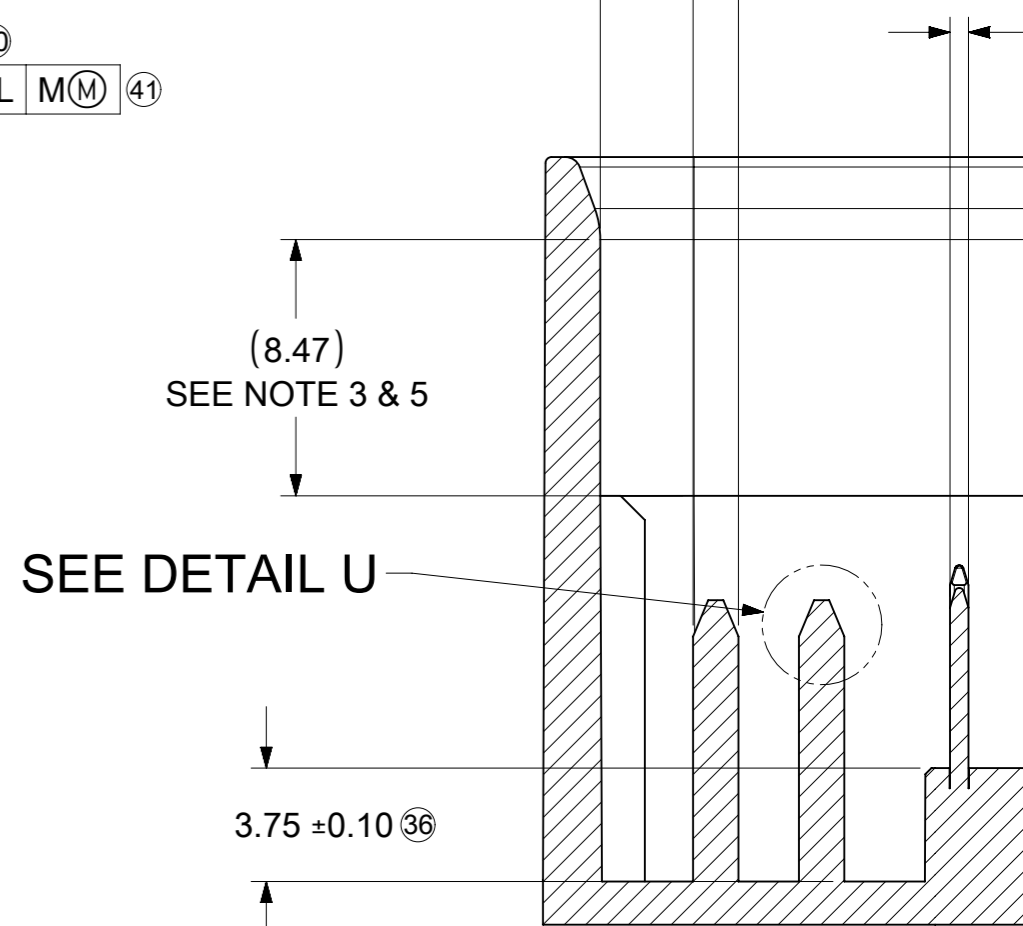
| | | | | | | | | | | | | | | | | | | | | |
|---|-----------------|----|--------------|------------|----------|----|----|----|----|--|--|--|--|--|--|--|--|--|--|--|
| A | DOCUMENT STATUS | P1 | RELEASE DATE | 2021/09/28 | 01:26:06 | | | | | | | | | | | | | | | |
| | 24 | 23 | 22 | 21 | 20 | 19 | 18 | 17 | 16 | | | | | | | | | | | |



DETAIL V
SCALE 20:1
TYPICAL 1.5 BLADE



DETAIL S
SCALE 10:1



DETAIL U
SCALE 20:1
TYPICAL 1.5 BLADE

| | | | | |
|-----------------|----|--------------|------------|----------|
| DOCUMENT STATUS | P1 | RELEASE DATE | 2021/09/28 | 01:26:06 |
|-----------------|----|--------------|------------|----------|

BOM AND PIN OUT SHEET

| ASSEMBLY DESCRIPTION | ASSEMBLY PART NUMBER | COMPONENT | | | | | | | BLOCKED TERMINALS | | | | | | | | | | | | | | | | | | | | STATUS | COMMENTS | | | |
|---|----------------------|---|---------------|-----|-------|-----------------|----------|-----------|--|---|----|----|---|----|---|----|---|----|----|----|----|----|----|----|----|----|----|----|--------|----------|----------|----------|--|
| | | THE PRESENCE OF AN ABBREVIATION INDICATES THE PRESENCE OF THAT COMPONENT. | | | | | | | CAVITY WITH A NUMBER INDICATES BLOCKED TERMINAL POSITION CAVITY WITHOUT A NUMBER INDICATES OPEN TERMINAL POSITION | | | | | | | | | | | | | | | | | | | | | | | | |
| | | OUTER HOUSING KEY/COLOR | INNER HOUSING | PLR | LEVER | LEVER ARM (x/2) | MAT SEAL | RING SEAL | 1 | 2 | - | - | 5 | - | - | 8 | - | - | - | - | - | 15 | - | 17 | 18 | - | 96 | - | | | | | |
| GPEC RCPT CONN 103 CKT TOP LVR KEY 1/55 | 349931031 | 1-BLACK | IH | PLR | LT | LA | M | R | - | - | 21 | 22 | - | 24 | - | 26 | - | 28 | 29 | - | - | 32 | - | 34 | - | - | - | 38 | - | - | SALEABLE | | |
| GPEC RCPT CONN 103 CKT TOP LVR KEY 1/59 | 349931032 | 1-BLACK | IH | PLR | LT | LA | M | R | 1 | - | - | - | 5 | - | - | 8 | - | - | - | - | - | - | - | - | - | - | 17 | 18 | - | 96 | - | SALEABLE | |
| GPEC RCPT CONN 103 CKT TOP LVR KEY 1/53 | 349931033 | 1-BLACK | IH | PLR | LT | LA | M | R | 1 | - | - | - | 5 | - | 7 | 8 | 9 | - | - | - | - | - | - | - | - | - | 17 | 18 | - | 96 | - | SALEABLE | |
| GPEC RCPT CONN 103 CKT TOP LVR KEY 1/57 | 349931034 | 1-BLACK | IH | PLR | LT | LA | M | R | - | - | - | - | - | 6 | 7 | 8 | 9 | 10 | 11 | 12 | - | - | - | - | - | - | - | - | - | 96 | - | SALEABLE | |
| GPEC RCPT CONN 103 CKT TOP LVR KEY 1/58 | 349931035 | 1-BLACK | IH | PLR | LT | LA | M | R | - | - | - | - | - | 6 | 7 | 8 | 9 | 10 | 11 | - | - | - | - | - | - | - | - | - | - | 96 | - | SALEABLE | |
| GPEC RCPT CONN 103 CKT TOP LVR KEY 1/48 | 349931036 | 1-BLACK | IH | PLR | LT | LA | M | R | 1 | - | - | - | 5 | 6 | 7 | 8 | 9 | 10 | 11 | - | 13 | - | - | - | - | 17 | - | - | 96 | - | SALEABLE | | |
| GPEC RCPT CONN 103 CKT TOP LVR KEY 1/51 | 349931037 | 1-BLACK | IH | PLR | LT | LA | M | R | 1 | - | - | - | 5 | 6 | 7 | 8 | 9 | 10 | 11 | - | 13 | - | - | - | 17 | - | - | 96 | - | SALEABLE | | | |
| GPEC RCPT CONN 103 CKT TOP LVR KEY 1/45 | 349931038 | 1-BLACK | IH | PLR | LT | LA | M | R | 1 | 2 | - | - | 5 | 6 | 7 | 8 | 9 | 10 | 11 | - | 13 | - | 15 | - | 17 | 18 | - | 96 | - | SALEABLE | | | |
| GPEC RCPT CONN 103 CKT TOP LVR KEY 1/48 | 349931039 | 1-BLACK | IH | PLR | LT | LA | M | R | 1 | 2 | - | - | 5 | 6 | 7 | 8 | 9 | 10 | 11 | - | 13 | - | 15 | - | 17 | 18 | - | 96 | - | SALEABLE | | | |
| GPEC RCPT CONN 103 CKT TOP LVR KEY 1/46 | 349931040 | 1-BLACK | IH | PLR | LT | LA | M | R | - | - | - | 4 | 5 | 6 | 7 | 8 | 9 | 10 | 11 | 12 | - | - | 15 | - | - | - | - | 96 | - | SALEABLE | | | |

BOM AND PIN OUT SHEET

| ASSEMBLY DESCRIPTION | ASSEMBLY PART NUMBER | COMPONENT | | | | | | | BLOCKED TERMINALS | | | | | | | | | | | | | | | | | | | | STATUS | COMMENTS | | | | | | |
|--|----------------------|---|---------------|-----|-------|-----------------|----------|-----------|--|----|----|----|----|----|----|----|----|----|----|----|----|----|----|----|----|----|----|----|--------|----------|---|----|---|-----|-----|-----|
| | | THE PRESENCE OF AN ABBREVIATION INDICATES THE PRESENCE OF THAT COMPONENT. | | | | | | | CAVITY WITH A NUMBER INDICATES BLOCKED TERMINAL POSITION CAVITY WITHOUT A NUMBER INDICATES OPEN TERMINAL POSITION | | | | | | | | | | | | | | | | | | | | | | | | | | | |
| | | OUTER HOUSING KEY/COLOR | INNER HOUSING | PLR | LEVER | LEVER ARM (x/2) | MAT SEAL | RING SEAL | | | | | | | | | | | | | | | | | | | | | | | | | | | | |
| GPEC RCPT CONN 103 CKT TOP LVR KEY 1/50 | 349931041 | 1-BLACK | IH | PLR | LT | LA | M | R | - | - | - | - | - | 6 | 7 | 8 | 9 | 10 | 11 | 12 | - | - | 15 | - | - | - | - | 96 | - | | | | | | | |
| | | | | | | | | | - | 21 | 22 | 23 | - | - | - | 27 | - | 29 | - | - | - | 33 | - | - | - | - | - | - | - | - | - | 98 | - | | | |
| | | | | | | | | | - | - | 41 | 42 | 43 | 44 | 45 | 46 | 47 | 48 | 49 | 50 | 51 | 52 | - | - | - | - | - | 57 | - | - | - | - | - | - | | |
| | | | | | | | | | - | 59 | - | - | - | - | 64 | 65 | 66 | 67 | 68 | 69 | - | - | 72 | 73 | 74 | 75 | 76 | - | - | - | - | - | - | 101 | | |
| | | | | | | | | | 77 | 78 | 79 | 80 | - | - | - | 84 | 85 | 86 | - | - | - | - | - | - | - | 93 | 94 | 95 | - | - | - | - | - | - | 103 | |
| GPEC RCPT CONN 103 CKT TOP LVR KEY 1/47 | 349931042 | 1-BLACK | IH | PLR | LT | LA | M | R | 1 | 2 | - | - | - | - | 7 | 8 | 9 | - | - | - | - | - | 15 | - | 17 | 18 | - | 96 | - | | | | | | | |
| | | | | | | | | | - | 21 | 22 | - | 24 | 25 | - | - | 28 | 29 | - | - | 32 | 33 | 34 | - | 36 | - | 38 | - | - | - | - | - | - | | | |
| | | | | | | | | | - | 40 | - | - | 43 | 44 | - | 46 | 47 | - | - | - | 51 | 52 | 53 | - | 55 | - | 57 | - | - | - | - | - | - | - | | |
| | | | | | | | | | 58 | 59 | - | 61 | 62 | - | 64 | - | 66 | 67 | 68 | 69 | 70 | 71 | - | 73 | 74 | - | - | - | - | - | - | - | - | - | | |
| | | | | | | | | | - | 78 | 79 | 80 | 81 | - | - | 84 | 85 | 86 | 87 | 88 | - | 90 | - | 92 | - | - | - | - | - | - | - | - | - | - | 102 | 103 |
| GPEC RCPT CONN 103 CKT TOP LVR KEY 1/51 | 349931043 | 1-BLACK | IH | PLR | LT | LA | M | R | 1 | 2 | - | - | - | - | 7 | 8 | 9 | - | - | - | - | - | 15 | - | 17 | 18 | - | 96 | - | | | | | | | |
| | | | | | | | | | - | 21 | 22 | - | 24 | 25 | - | - | 28 | 29 | - | - | 32 | 33 | 34 | - | - | - | 38 | - | - | - | - | - | - | - | | |
| | | | | | | | | | - | 40 | - | - | 43 | 44 | - | 46 | 47 | - | - | - | 51 | 52 | 53 | - | - | - | 57 | - | - | - | - | - | - | - | - | |
| | | | | | | | | | 58 | 59 | - | 61 | 62 | - | 64 | - | 66 | 67 | 68 | 69 | 70 | 71 | - | - | 74 | - | - | - | - | - | - | - | - | - | - | |
| | | | | | | | | | - | 78 | 79 | 80 | 81 | - | - | 84 | 85 | 86 | 87 | 88 | - | 90 | - | - | - | - | - | - | - | - | - | - | - | - | - | 102 |
| GPEC RCPT CONN 103 CKT TOP LVR KEY 1/44 | 349931044 | 1-BLACK | IH | PLR | LT | LA | M | R | - | 2 | 3 | - | 5 | 6 | 7 | 8 | 9 | - | 11 | - | 13 | 14 | 15 | - | 17 | 18 | - | - | - | | | | | | | |
| | | | | | | | | | - | - | 22 | - | - | 25 | - | - | - | 29 | - | - | - | 33 | 34 | 35 | - | 37 | 38 | - | - | - | - | - | - | - | | |
| | | | | | | | | | - | - | 41 | - | 43 | 44 | 45 | 46 | 47 | - | - | - | 51 | 52 | 53 | 54 | - | 56 | 57 | - | - | - | - | - | - | - | - | |
| | | | | | | | | | - | 59 | 60 | 61 | 62 | - | 64 | 65 | - | 67 | - | 69 | 70 | 71 | 72 | 73 | - | - | - | - | - | - | - | - | - | - | - | |
| | | | | | | | | | - | - | 79 | 80 | 81 | - | 83 | 84 | 85 | 86 | 87 | - | - | 90 | 91 | 92 | - | 94 | - | - | - | - | - | - | - | - | - | 102 |
| GPEC RCPT CONN 103 CKT END LVR KEY 2/103 | 349932001 | 2-BLACK | IH | PLR | LE | LA | M | R | - | - | - | - | - | - | - | - | - | - | - | - | - | - | - | - | - | - | - | - | - | - | | | | | | |
| | | | | | | | | | - | - | - | - | - | - | - | - | - | - | - | - | - | - | - | - | - | - | - | - | - | - | - | - | - | - | - | |
| | | | | | | | | | - | - | - | - | - | - | - | - | - | - | - | - | - | - | - | - | - | - | - | - | - | - | - | - | - | - | - | - |
| | | | | | | | | | - | - | - | - | - | - | - | - | - | - | - | - | - | - | - | - | - | - | - | - | - | - | - | - | - | - | - | - |
| | | | | | | | | | - | - | - | - | - | - | - | - | - | - | - | - | - | - | - | - | - | - | - | - | - | - | - | - | - | - | - | - |
| GPEC RCPT CONN 103 CKT END LVR KEY 2/56 | 349932002 | 2-BLACK | IH | PLR | LE | LA | M | R | - | - | - | - | - | 6 | 7 | 8 | 9 | 10 | 11 | 12 | 13 | - | - | - | - | - | 96 | - | | | | | | | | |
| | | | | | | | | | - | - | - | 23 | - | - | - | - | 28 | - | - | 31 | - | - | - | 35 | - | - | - | - | - | - | - | - | - | 98 | - | |
| | | | | | | | | | 39 | 40 | - | - | 43 | 44 | 45 | 46 | 47 | 48 | - | - | - | - | - | - | - | - | - | 57 | - | - | - | - | - | - | - | - |
| | | | | | | | | | 58 | - | 60 | 61 | 62 | 63 | 64 | 65 | - | - | 68 | 69 | - | 71 | - | 73 | 74 | - | - | - | - | - | - | - | - | - | - | - |
| | | | | | | | | | 77 | 78 | - | 80 | 81 | 82 | 83 | 84 | 85 | - | 87 | 88 | - | 90 | 91 | - | - | - | - | - | - | - | - | - | - | - | - | - |
| GPEC RCPT CONN 103 CKT TOP LVR KEY 2/103 | 349933001 | 2-BLACK | IH | PLR | LT | LA | M | R | - | - | - | - | - | - | - | - | - | - | - | - | - | - | - | - | - | - | - | - | - | - | | | | | | |
| | | | | | | | | | - | - | - | - | - | - | - | - | - | - | - | - | - | - | - | - | - | - | - | - | - | - | - | - | - | - | - | |
| | | | | | | | | | - | - | - | - | - | - | - | - | - | - | - | - | - | - | - | - | - | - | - | - | - | - | - | - | - | - | - | - |
| | | | | | | | | | - | - | - | - | - | - | - | - | - | - | - | - | - | - | - | - | - | - | - | - | - | - | - | - | - | - | - | - |
| | | | | | | | | | - | - | - | - | - | - | - | - | - | - | - | - | - | - | - | - | - | - | - | - | - | - | - | - | - | - | - | - |
| GPEC RCPT CONN 103 CKT END LVR KEY 3/103 | 349934001 | 3-BLACK | IH | PLR | LE | LA | M | R | - | - | - | - | - | - | - | - | - | - | - | - | - | - | - | - | - | - | - | - | - | - | | | | | | |
| | | | | | | | | | - | - | - | - | - | - | - | - | - | - | - | - | - | - | - | - | - | - | - | - | - | - | - | - | - | - | - | |
| | | | | | | | | | - | - | - | - | - | - | - | - | - | - | - | - | - | - | - | - | - | - | - | - | - | - | - | - | - | - | - | - |
| | | | | | | | | | - | - | - | - | - | - | - | - | - | - | - | - | - | - | - | - | - | - | - | - | - | - | - | - | - | - | - | - |
| | | | | | | | | | - | - | - | - | - | - | - | - | - | - | - | - | - | - | - | - | - | - | - | - | - | - | - | - | - | - | - | - |
| GPEC RCPT CONN 103 CKT END LVR KEY 3/89 | 349934002 | 3-BLACK | IH | PLR | LE | LA | M | R | 1 | - | - | 4 | 5 | - | - | - | - | - | - | - | - | - | - | - | - | - | - | - | - | - | | | | | | |
| | | | | | | | | | - | - | - | - | 24 | - | - | - | - | - | - | - | - | - | - | - | - | - | - | - | - | - | - | - | - | - | - | |
| | | | | | | | | | - | - | - | - | - | - | - | 46 | 47 | 48 | - | - | - | - | - | - | - | - | - | 56 | 57 | - | - | - | - | - | - | - |
| | | | | | | | | | - | - | - | 61 | - | - | - | - | - | - | - | - | - | - | 71 | - | - | - | - | - | - | - | - | - | - | - | - | - |
| | | | | | | | | | - | - | - | - | - | - | - | - | - | 86 | - | - | - | 90 | 91 | - | - | - | - | - | - | - | - | - | - | - | - | - |
| GPEC RCPT CONN 103 CKT END LVR KEY 3/68 | 349934003 | 3-BLACK | IH | PLR | LE | LA | M | R | 1 | - | 3 | - | 5 | - | 7 | 8 | - | - | - | - | - | - | - | - | 17 | - | - | - | - | - | | | | | | |
| | | | | | | | | | 20 | - | - | - | 24 | - | - | - | - | - | - | - | - | 32 | - | - | 35 | 36 | 37 | - | - | - | - | - | - | - | | |
| | | | | | | | | | - | 40 | - | - | - | - | - | 46 | 47 | 48 | - | - | - | - | - | - | - | - | - | 56 | 57 | - | - | - | - | - | - | - |
| | | | | | | | | | - | - | 60 | 61 | 62 | 63 | 64 | - | - | 67 | - | - | - | 71 | - | - | - | - | - | 76 | - | - | - | - | - | - | - | - |
| | | | | | | | | | 77 | - | - | - | 81 | - | - | - | - | 86 | 87 | - | 89 | 90 | 91 | 92 | - | - | - | 95 | - | - | - | - | - | - | - | - |

BOM AND PIN OUT SHEET

| ASSEMBLY DESCRIPTION | ASSEMBLY PART NUMBER | COMPONENT | | | | | | | BLOCKED TERMINALS | | | | | | | | | | | | | | | | | | | | | STATUS | COMMENTS | | | | | |
|--|----------------------|---|---------------|-----|-------|-----------------|----------|-----------|--|----|----|----|----|----|----|----|----|----|----|----|----|----|----|----|----|----|----|----|---|--------|----------|---|----|---|---|---|
| | | THE PRESENCE OF AN ABBREVIATION INDICATES THE PRESENCE OF THAT COMPONENT. | | | | | | | CAVITY WITH A NUMBER INDICATES BLOCKED TERMINAL POSITION CAVITY WITHOUT A NUMBER INDICATES OPEN TERMINAL POSITION | | | | | | | | | | | | | | | | | | | | | | | | | | | |
| | | OUTER HOUSING KEY/COLOR | INNER HOUSING | PLR | LEVER | LEVER ARM (x/2) | MAT SEAL | RING SEAL | | | | | | | | | | | | | | | | | | | | | | | | | | | | |
| GPEC RCPT CONN 103 CKT TOP LVR KEY 4/58 | 349937008 | 4-BLACK | IH | PLR | LT | LA | M | R | - | - | - | - | - | 6 | 7 | 8 | 9 | 10 | 11 | 12 | 13 | - | - | - | - | - | - | 96 | - | | | | | | | |
| | | | | | | | | | - | - | - | 23 | - | - | - | - | - | - | - | 31 | - | - | - | 35 | - | - | - | - | - | - | - | - | - | - | - | |
| | | | | | | | | | 39 | - | 41 | - | 43 | 44 | 45 | 46 | 47 | 48 | - | - | - | - | - | - | - | - | - | - | - | - | - | - | - | - | - | - |
| | | | | | | | | | 58 | - | 60 | 61 | 62 | 63 | 64 | 65 | - | - | 68 | 69 | - | 71 | - | 73 | 74 | - | - | - | - | - | - | - | - | - | - | - |
| GPEC RCPT CONN 103 CKT TOP LVR KEY 4/54 | 349937009 | 4-BLACK | IH | PLR | LT | LA | M | R | - | - | - | - | - | 6 | 7 | 8 | 9 | 10 | 11 | 12 | 13 | - | - | - | - | - | - | 96 | - | | | | | | | |
| | | | | | | | | | - | - | - | 23 | - | - | - | - | - | 28 | - | - | 31 | - | - | - | 35 | - | - | - | - | - | - | - | - | - | - | |
| | | | | | | | | | 39 | 40 | 41 | - | 43 | 44 | 45 | 46 | 47 | 48 | - | - | - | - | - | - | - | - | - | - | - | - | - | - | - | - | - | - |
| | | | | | | | | | 58 | 59 | 60 | 61 | 62 | 63 | 64 | 65 | - | - | 68 | 69 | - | 71 | - | 73 | 74 | - | - | - | - | - | - | - | - | - | - | - |
| GPEC RCPT CONN 103 CKT TOP LVR KEY 4/55 | 349937010 | 4-BLACK | IH | PLR | LT | LA | M | R | - | - | - | - | - | 6 | 7 | 8 | 9 | 10 | 11 | 12 | 13 | - | - | - | - | - | - | 96 | - | | | | | | | |
| | | | | | | | | | - | - | - | 23 | - | - | - | - | - | 28 | - | - | 31 | - | - | - | 35 | - | - | - | - | - | - | - | - | - | - | |
| | | | | | | | | | 39 | 40 | 41 | - | 43 | 44 | 45 | 46 | 47 | 48 | - | - | - | - | - | - | - | - | - | - | - | - | - | - | - | - | - | - |
| | | | | | | | | | 58 | - | 60 | 61 | 62 | 63 | 64 | 65 | - | - | 68 | 69 | - | 71 | - | 73 | 74 | - | - | - | - | - | - | - | - | - | - | - |
| GPEC RCPT CONN 103 CKT TOP LVR KEY 4/39 | 349937011 | 4-BLACK | IH | PLR | LT | LA | M | R | 1 | 2 | 3 | - | 5 | - | - | - | 9 | - | - | 12 | 13 | 14 | 15 | 16 | - | 18 | 19 | - | - | | | | | | | |
| | | | | | | | | | 20 | 21 | 22 | 23 | 24 | - | - | 27 | - | 29 | 30 | 31 | 32 | - | 34 | 35 | - | 37 | 38 | - | - | - | - | - | - | - | - | |
| | | | | | | | | | - | - | - | - | 43 | 44 | 45 | - | - | - | - | 50 | 51 | - | 53 | 54 | 55 | 56 | 57 | - | - | - | - | - | - | - | - | - |
| | | | | | | | | | - | 59 | - | - | - | - | - | - | - | - | 68 | 69 | 70 | 71 | 72 | 73 | 74 | 75 | - | - | - | - | - | - | - | - | - | - |
| GPEC RCPT CONN 103 CKT TOP LVR KEY 4/28 | 349937012 | 4-BLACK | IH | PLR | LT | LA | M | R | 1 | 2 | 3 | 4 | 5 | 6 | - | 8 | 9 | - | 11 | 12 | 13 | 14 | 15 | 16 | - | 18 | 19 | - | - | | | | | | | |
| | | | | | | | | | 20 | 21 | 22 | 23 | 24 | 25 | 26 | 27 | - | 29 | 30 | 31 | 32 | - | 34 | 35 | - | 37 | 38 | - | - | - | - | - | - | - | - | |
| | | | | | | | | | 39 | - | - | 42 | 43 | 44 | 45 | - | - | 48 | 49 | 50 | 51 | - | 53 | 54 | 55 | 56 | 57 | - | - | - | - | - | - | - | - | - |
| | | | | | | | | | 58 | 59 | - | - | - | - | - | - | - | - | 68 | 69 | 70 | 71 | 72 | 73 | 74 | 75 | - | - | - | - | - | - | - | - | - | - |
| GPEC RCPT CONN 103 CKT TOP LVR KEY 4/58 | 349937013 | 4-BLACK | IH | PLR | LT | LA | M | R | - | 2 | 3 | 4 | - | - | 7 | - | - | - | - | 12 | - | - | - | - | - | 18 | 19 | - | - | | | | | | | |
| | | | | | | | | | - | - | 22 | 23 | - | - | - | - | - | - | 30 | - | 32 | - | 34 | 35 | - | 37 | 38 | - | - | - | - | - | - | - | - | |
| | | | | | | | | | - | - | - | - | 43 | 44 | 45 | - | - | - | - | 50 | - | - | - | 54 | - | 56 | - | - | - | - | - | - | - | - | - | - |
| | | | | | | | | | - | - | 60 | - | - | - | - | - | - | - | - | - | - | - | 72 | 73 | 74 | 75 | - | - | - | - | - | - | - | - | - | - |
| GPEC RCPT CONN 103 CKT TOP LVR KEY 4/60 | 349937014 | 4-BLACK | IH | PLR | LT | LA | M | R | - | 2 | 3 | 4 | - | - | - | - | - | - | - | - | - | - | - | - | - | 19 | - | - | | | | | | | | |
| | | | | | | | | | - | - | 22 | 23 | - | - | - | - | - | - | 30 | - | 32 | - | 35 | - | 37 | 38 | - | - | - | - | - | - | - | - | - | |
| | | | | | | | | | - | - | - | - | 43 | 44 | 45 | - | - | - | - | 50 | - | - | 53 | 54 | - | - | - | - | - | - | - | - | - | - | - | - |
| | | | | | | | | | - | - | 60 | - | - | - | - | - | - | - | 68 | 69 | - | - | 72 | 73 | 74 | 75 | - | - | - | - | - | - | - | - | - | - |
| GPEC RCPT CONN 103 CKT END LVR KEY 5/103 | 349938001 | 5-BLACK | IH | PLR | LE | LA | M | R | - | - | - | - | - | - | - | - | - | - | - | - | - | - | - | - | - | - | - | - | - | - | | | | | | |
| | | | | | | | | | - | - | - | - | - | - | - | - | - | - | - | - | - | - | - | - | - | - | - | - | - | - | - | - | - | - | - | |
| | | | | | | | | | - | - | - | - | - | - | - | - | - | - | - | - | - | - | - | - | - | - | - | - | - | - | - | - | - | - | - | - |
| | | | | | | | | | - | - | - | - | - | - | - | - | - | - | - | - | - | - | - | - | - | - | - | - | - | - | - | - | - | - | - | - |
| GPEC RCPT CONN 103 CKT END LVR KEY 5/103 | 349938002 | 5-BLACK | IH | PLR | LE | LA | M | R | - | - | - | - | - | - | - | - | - | - | - | - | - | - | - | - | - | - | - | - | - | - | - | | | | | |
| | | | | | | | | | - | - | - | - | - | - | - | - | - | - | - | - | - | - | - | - | - | - | - | - | - | - | - | - | - | - | - | |
| | | | | | | | | | - | - | - | - | - | - | - | - | - | - | - | - | - | - | - | - | - | - | - | - | - | - | - | - | - | - | - | - |
| | | | | | | | | | - | - | - | - | - | - | - | - | - | - | - | - | - | - | - | - | - | - | - | - | - | - | - | - | - | - | - | - |
| GPEC RCPT CONN 103 CKT TOP LVR KEY 5/42 | 349938010 | 5-BLACK | IH | PLR | LT | LA | M | R | 1 | 2 | 3 | 4 | 5 | 6 | - | 8 | 9 | - | 11 | 12 | - | - | 15 | 16 | - | - | - | 96 | - | | | | | | | |
| | | | | | | | | | 20 | 21 | - | - | - | 25 | 26 | 27 | - | - | 30 | 31 | - | - | 34 | - | - | 37 | - | - | - | - | - | - | 98 | - | | |
| | | | | | | | | | 39 | - | - | 42 | 43 | 44 | 45 | - | - | 48 | 49 | - | - | - | 54 | 55 | - | 57 | - | - | - | - | - | - | - | - | - | |
| | | | | | | | | | 58 | - | 60 | 61 | 62 | 63 | 64 | - | - | 67 | 68 | 69 | - | 71 | 72 | - | 74 | 75 | 76 | - | - | - | - | - | - | - | - | |

BOM AND PIN OUT SHEET

| ASSEMBLY DESCRIPTION | ASSEMBLY PART NUMBER | COMPONENT | | | | | | | BLOCKED TERMINALS | | | | | | | | | | | | | | | | | | | | STATUS | COMMENTS | | | | | | | | | | | | |
|--|----------------------|---|---------------|-----|-------|-----------------|----------|-----------|--|----|----|----|----|----|----|----|----|----|----|----|----|----|----|----|----|----|----|----|--------|----------|----|---|---|---|---|-----|-----|-----|-----|-----|-----|---|
| | | THE PRESENCE OF AN ABBREVIATION INDICATES THE PRESENCE OF THAT COMPONENT. | | | | | | | CAVITY WITH A NUMBER INDICATES BLOCKED TERMINAL POSITION CAVITY WITHOUT A NUMBER INDICATES OPEN TERMINAL POSITION | | | | | | | | | | | | | | | | | | | | | | | | | | | | | | | | | |
| | | OUTER HOUSING KEY/COLOR | INNER HOUSING | PLR | LEVER | LEVER ARM (x/2) | MAT SEAL | RING SEAL | 1 | 2 | 3 | 4 | 5 | 6 | 8 | 9 | 11 | 12 | 15 | 16 | 17 | 18 | 19 | 96 | 97 | | | | | | | | | | | | | | | | | |
| GPEC RCPT CONN 103 CKT TOP LVR KEY 5/42 | 349938010 | 5-BLACK | IH | PLR | LT | LA | M | R | 20 | 21 | - | - | - | 25 | 26 | 27 | - | - | 30 | 31 | - | - | 34 | - | - | 37 | - | 98 | - | | | | | | | | | | | | | |
| | | | | | | | | | 39 | - | - | 42 | 43 | 44 | 45 | - | - | 48 | 49 | - | - | - | - | 54 | 55 | - | 57 | - | - | - | | | | | | | | | | | | |
| | | | | | | | | | 58 | - | 60 | 61 | 62 | 63 | 64 | - | - | 67 | 68 | 69 | - | 71 | 72 | - | 74 | 75 | 76 | - | - | - | - | | | | | | | | | | | |
| | | | | | | | | | 77 | - | - | 80 | 81 | 82 | 83 | 84 | 85 | 86 | - | 88 | 89 | - | - | 92 | 93 | 94 | 95 | - | - | - | - | | | | | | | | | | | |
| | | | | | | | | | 1 | 2 | 3 | - | - | - | - | - | - | - | - | - | - | - | - | 14 | 15 | 16 | 17 | 18 | 19 | - | 97 | - | | | | | | | | | | |
| GPEC RCPT CONN 103 CKT END LVR KEY 5/56 | 349938011 | 5-BLACK | IH | PLR | LE | LA | M | R | - | - | 22 | 23 | 24 | 25 | - | 27 | - | 29 | - | - | 32 | 33 | 34 | - | 36 | 37 | 38 | - | 99 | - | | | | | | | | | | | | |
| | | | | | | | | | - | - | - | 42 | - | - | - | - | - | - | 49 | 50 | 51 | 52 | 53 | 54 | - | - | - | - | - | - | - | - | - | - | | | | | | | | |
| | | | | | | | | | - | 59 | - | - | - | - | - | - | - | - | 67 | - | 69 | 70 | - | - | - | - | - | - | - | - | - | - | - | - | - | 101 | - | | | | | |
| | | | | | | | | | - | - | - | 80 | 81 | 82 | 83 | 84 | 85 | - | - | - | 89 | 90 | - | 92 | - | 94 | - | - | - | - | - | - | - | - | - | - | 103 | - | | | | |
| | | | | | | | | | - | - | - | 4 | 5 | 6 | 7 | 8 | 9 | 10 | 11 | 12 | 13 | - | - | - | - | - | - | - | - | - | - | - | - | - | - | - | 96 | - | | | | |
| GPEC RCPT CONN 103 CKT END LVR KEY 5/47 | 349938012 | 5-BLACK | IH | PLR | LE | LA | M | R | 20 | 21 | - | - | - | - | 26 | - | 28 | - | 30 | 31 | - | - | - | 35 | - | - | - | - | 98 | - | | | | | | | | | | | | |
| | | | | | | | | | 39 | 40 | 41 | - | 43 | 44 | 45 | 46 | 47 | 48 | - | - | - | - | - | - | 55 | 56 | 57 | - | - | - | - | - | - | - | - | - | | | | | | |
| | | | | | | | | | 58 | - | 60 | 61 | 62 | 63 | 64 | 65 | 66 | - | 68 | - | - | 71 | 72 | 73 | 74 | 75 | - | - | - | - | - | - | - | - | - | - | 100 | - | | | | |
| | | | | | | | | | 77 | 78 | 79 | - | - | - | - | - | - | - | 86 | 87 | 88 | - | - | 91 | - | 93 | - | 95 | - | - | - | - | - | - | - | - | - | 102 | - | | | |
| | | | | | | | | | 1 | - | - | - | 5 | - | - | - | - | - | - | - | - | - | - | - | - | 16 | - | - | 19 | - | - | - | - | - | - | - | - | - | | | | |
| GPEC RCPT CONN 103 CKT END LVR KEY 5/59 | 349938013 | 5-BLACK | IH | PLR | LE | LA | M | R | 20 | - | 22 | 23 | 24 | - | - | - | - | - | 30 | - | 32 | - | - | 35 | - | 37 | 38 | - | - | - | - | - | | | | | | | | | | |
| | | | | | | | | | - | - | - | - | 43 | 44 | 45 | - | - | - | - | - | - | 52 | 53 | - | 55 | 56 | 57 | - | - | - | - | - | - | - | - | - | - | | | | | |
| | | | | | | | | | 58 | - | - | - | - | - | - | - | - | - | - | - | - | - | - | - | 73 | 74 | 75 | - | - | - | - | - | - | - | - | - | - | - | | | | |
| | | | | | | | | | 77 | 78 | 79 | 80 | 81 | 82 | 83 | 84 | 85 | 86 | 87 | 88 | 89 | 90 | 91 | 92 | 93 | 94 | 95 | - | - | - | - | - | - | - | - | - | - | - | - | | | |
| | | | | | | | | | - | - | - | - | - | - | - | - | - | - | - | - | - | - | - | - | - | - | - | - | - | - | - | - | - | - | - | - | - | - | - | | | |
| GPEC RCPT CONN 103 CKT TOP LVR KEY 5/103 | 349939001 | 5-BLACK | IH | PLR | LT | LA | M | R | - | - | - | - | - | - | - | - | - | - | - | - | - | - | - | - | - | - | - | - | - | - | - | - | - | - | | | | | | | | |
| | | | | | | | | | - | - | - | - | - | - | - | - | - | - | - | - | - | - | - | - | - | - | - | - | - | - | - | - | - | - | - | - | - | - | | | | |
| | | | | | | | | | - | - | - | - | - | - | - | - | - | - | - | - | - | - | - | - | - | - | - | - | - | - | - | - | - | - | - | - | - | - | | | | |
| | | | | | | | | | - | - | - | - | - | - | - | - | - | - | - | - | - | - | - | - | - | - | - | - | - | - | - | - | - | - | - | - | - | - | - | | | |
| | | | | | | | | | - | - | - | - | - | - | - | - | - | - | - | - | - | - | - | - | - | - | - | - | - | - | - | - | - | - | - | - | - | - | - | | | |
| GPEC RCPT CONN 103 CKT TOP LVR KEY 5/57 | 349939002 | 5-BLACK | IH | PLR | LT | LA | M | R | - | - | - | 4 | 5 | 6 | 7 | 8 | 9 | 10 | 11 | - | 13 | - | - | - | - | - | - | 96 | - | | | | | | | | | | | | | |
| | | | | | | | | | - | - | - | - | - | - | 26 | - | 28 | - | 30 | 31 | - | - | - | 35 | - | - | - | - | - | - | - | - | - | - | - | - | 98 | - | | | | |
| | | | | | | | | | 39 | 40 | - | - | 43 | 44 | 45 | 46 | 47 | 48 | - | - | - | - | - | - | - | - | - | 57 | - | - | - | - | - | - | - | - | - | - | | | | |
| | | | | | | | | | 58 | - | 60 | 61 | 62 | 63 | 64 | 65 | 66 | - | 68 | 69 | - | 71 | 72 | 73 | 74 | 75 | - | - | - | - | - | - | - | - | - | - | - | - | 100 | - | | |
| | | | | | | | | | 77 | 78 | - | - | - | - | - | - | - | - | - | - | - | - | - | 90 | 91 | - | - | - | - | - | - | - | - | - | - | - | - | - | 102 | - | | |
| GPEC RCPT CONN 103 CKT TOP LVR KEY 5/55 | 349939003 | 5-BLACK | IH | PLR | LT | LA | M | R | - | - | - | 4 | 5 | 6 | 7 | 8 | 9 | 10 | 11 | 12 | 13 | - | - | - | - | - | - | 96 | - | | | | | | | | | | | | | |
| | | | | | | | | | - | 21 | - | - | - | - | 26 | - | 28 | - | 30 | 31 | - | - | - | 35 | - | - | - | - | - | - | - | - | - | - | - | - | - | 98 | - | | | |
| | | | | | | | | | 39 | 40 | - | - | 43 | 44 | 45 | 46 | 47 | 48 | - | - | - | - | - | - | - | - | - | 57 | - | - | - | - | - | - | - | - | - | - | - | | | |
| | | | | | | | | | 58 | - | 60 | 61 | 62 | 63 | 64 | 65 | 66 | - | 68 | 69 | - | 71 | 72 | 73 | 74 | - | 76 | - | - | - | - | - | - | - | - | - | - | - | - | 100 | - | |
| | | | | | | | | | 77 | 78 | - | - | - | - | - | - | - | - | - | - | - | - | - | 90 | 91 | - | - | - | - | - | - | - | - | - | - | - | - | - | - | 102 | - | |
| GPEC RCPT CONN 103 CKT TOP LVR KEY 5/47 | 349939004 | 5-BLACK | IH | PLR | LT | LA | M | R | - | - | - | 4 | 5 | 6 | 7 | 8 | 9 | 10 | 11 | 12 | 13 | - | - | - | - | - | - | 96 | - | | | | | | | | | | | | | |
| | | | | | | | | | 20 | 21 | - | - | - | - | 26 | - | 28 | - | 30 | 31 | - | - | - | 35 | - | - | - | - | - | - | - | - | - | - | - | - | - | 98 | - | | | |
| | | | | | | | | | 39 | 40 | - | - | 43 | 44 | 45 | 46 | 47 | 48 | - | - | - | - | - | - | - | - | - | 57 | - | - | - | - | - | - | - | - | - | - | - | | | |
| | | | | | | | | | 58 | 59 | 60 | 61 | 62 | 63 | 64 | 65 | 66 | - | 68 | - | - | 71 | 72 | 73 | 74 | 75 | - | - | - | - | - | - | - | - | - | - | - | - | - | 100 | - | |
| | | | | | | | | | 77 | 78 | 79 | - | - | - | - | - | - | - | 86 | 87 | 88 | - | - | 91 | - | 93 | - | 95 | - | - | - | - | - | - | - | - | - | - | - | 102 | - | |
| GPEC RCPT CONN 103 CKT TOP LVR KEY 5/48 | 349939005 | 5-BLACK | IH | PLR | LT | LA | M | R | - | - | - | 4 | 5 | 6 | 7 | 8 | 9 | 10 | 11 | 12 | 13 | - | - | - | - | - | - | 96 | - | | | | | | | | | | | | | |
| | | | | | | | | | 20 | 21 | - | - | - | - | 26 | - | 28 | - | 30 | 31 | - | - | - | 35 | - | - | - | - | - | - | - | - | - | - | - | - | - | - | 98 | - | | |
| | | | | | | | | | 39 | 40 | - | - | 43 | 44 | 45 | 46 | 47 | 48 | - | - | - | - | - | - | - | - | - | 57 | - | - | - | - | - | - | - | - | - | - | - | - | | |
| | | | | | | | | | 58 | - | 60 | 61 | 62 | 63 | 64 | 65 | 66 | - | 68 | - | - | 71 | 72 | 73 | 74 | 75 | - | - | - | - | - | - | - | - | - | - | - | - | - | - | 100 | - |
| | | | | | | | | | 77 | 78 | 79 | - | - | - | - | - | - | - | 86 | 87 | 88 | - | - | 91 | - | 93 | - | 95 | - | - | - | - | - | - | - | - | - | - | - | - | 102 | - |
| GPEC RCPT CONN 103 CKT TOP LVR KEY 5/55 | 349939006 | 5-BLACK | IH | PLR | LT | LA | M | R | - | - | - | 4 | 5 | 6 | 7 | 8 | 9 | 10 | 11 | 12 | 13 | - | - | - | - | - | - | 96 | - | | | | | | | | | | | | | |
| | | | | | | | | | - | 21 | - | - | - | - | 26 | - | 28 | - | 30 | 31 | - | - | - | 35 | - | - | - | - | - | - | - | - | - | - | - | - | - | - | 98 | - | | |
| | | | | | | | | | 39 | 40 | - | - | 43 | 44 | 45 | 46 | 47 | 48 | - | - | - | - | - | - | - | - | - | 57 | - | - | - | - | - | - | - | - | - | - | - | - | | |
| | | | | | | | | | 58 | - | 60 | 61 | 62 | 63 | 64 | 65 | 66 | - | 68 | 69 | - | 71 | 72 | 73 | 74 | 75 | - | - | - | - | - | - | - | - | - | - | - | - | - | - | 100 | - |
| | | | | | | | | | 77 | 78 | - | - | - | - | - | - | - | - | - | - | - | - | - | 90 | 91 | - | - | - | - | - | - | - | - | - | - | - | - | - | - | - | 102 | - |

X-ON Electronics

Largest Supplier of Electrical and Electronic Components

Click to view similar products for [Automotive Connectors](#) category:

Click to view products by [Molex](#) manufacturer:

Other Similar products are found below :

[003-018-000](#) [60403001](#) [60993906-B](#) [M902-2131](#) [M902-2161](#) [72.330.1035.1](#) [73.353.4028.0](#) [F119300-B](#) [F166900](#) [F258300-B](#) [F358300-B](#)
[F407400](#) [F444110](#) [F487000](#) [F509500B-B](#) [827153-1](#) [8N1515-32-24P](#) [9-1326729-8](#) [925474-1](#) [928905-1](#) [964562-4](#) [968782-1](#) [GT17SA-8DS-](#)
[HU](#) [98891-1012](#) [98947-1016](#) [12004147](#) [12004475-L](#) [12010290](#) [12010309-B](#) [12015454](#) [12020219-B](#) [12020308](#) [12041318-B](#) [12052225-L](#)
[12052466](#) [12059125](#) [12064869](#) [12004327-B](#) [12010503-B](#) [12015308](#) [12015384](#) [12015909](#) [1-21030-1](#) [12041254](#) [12041318](#) [12047946-B](#)
[12047957](#) [12047957-L](#) [12059473](#) [12066261](#)