

PLEASE CHECK WWW.MOLEX.COM FOR LATEST PART INFORMATION

Part Number: [0350449102](#)
Status: **Active**
Overview: [Board-in Connectors](#)
Description: 2.00/2.50mm Board-in Terminal, Pre-Tin Plating, Wire Insulation Diameter 1.50mm max.

Documents:

[Drawing \(PDF\)](#) [Packaging Specification PK-35044-001-001 \(PDF\)](#)
[Product Specification PS-35516-001-001 \(PDF\)](#) [RoHS Certificate of Compliance \(PDF\)](#)
[Product Specification PS-68418-001-001 \(PDF\)](#)

General

Product Family [Crimp Terminals](#)
Series [35044](#)
Application [Signal, Wire-to-Board](#)
Crimp Quality Equipment [Yes](#)
Overview [Board-in Connectors](#)
Product Name [Board-in](#)
UPC [800754787338](#)

Physical

Gender [Male](#)
Material - Metal [Brass](#)
Material - Plating Mating [Tin](#)
Material - Plating Termination [Tin](#)
Net Weight [0.033/g](#)
Packaging Type [Reel](#)
Plating min - Mating [0.889µm](#)
Plating min - Termination [0.889µm](#)
Termination Interface: Style [Crimp or Compression](#)
Wire Insulation Diameter [1.50mm max.](#)
Wire Size AWG [24, 26, 28](#)
Wire Size mm² [N/A](#)

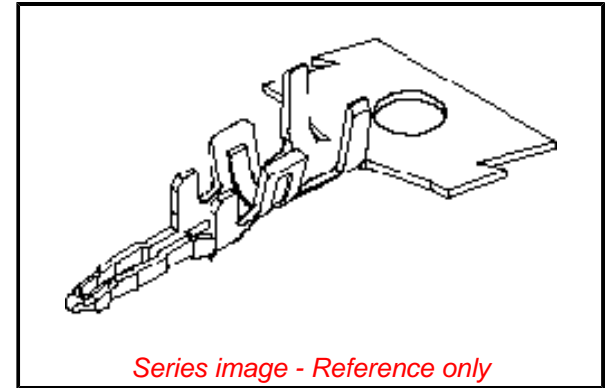
Electrical

Current - Maximum per Contact [2.5A](#)
Voltage - Maximum [125V](#)

Material Info

Reference - Drawing Numbers

Crimp Specification [CS-35044-001-001](#)
Packaging Specification [PK-35044-001-001](#)
Product Specification [PS-35516-001-001, PS-68418-001-001](#)
Sales Drawing [SD-35044-001-001](#)



EU ELV

Not Relevant

EU RoHS

Compliant

REACH SVHC

Not Contained Per -
D(2021)4569-DC (8
July 2021)

Halogen-Free

Status

Low-Halogen

For more information, please visit [Contact US](#)

China ROHS

ELV

RoHS Phthalates

China RoHS

Green Image

Not Relevant

Not Contained

Search Parts in this Series

[35044 Series](#)

Use With

[35023 Housing](#)

Application Tooling | FAQ

Tooling specifications and manuals are found by selecting the products below. Crimp Height Specifications are then contained in the Application Tooling Specification document.

Global

Description

Product #

Hand Crimp Tool for [2133092400](#)
2.00mm Pitch Board-
In Crimp Terminals,
24AWG, UL1007 and
UL1061 Wire

Hand Crimp Tool [2133092500](#)
for 2.00mm Pitch
Board-In Crimp
Terminals, 0.22mm²
and 0.35mm², FLY-
A Wire

Hand Crimp Tool for 2133092900
2.00mm Pitch Board-
In Crimp Terminals,
26 AWG, UL1007
and UL1061 Wire
Hand Crimp Tool for 2133093600
2.00mm Board-In
Crimp Terminals, 28
AWG, UL1007 and
UL1061 Wire
T2 Terminator 638537000
Tooling Die
FineAdjust Applicator638637000

This document was generated on 11/03/2021

PLEASE CHECK WWW.MOLEX.COM FOR LATEST PART INFORMATION

X-ON Electronics

Largest Supplier of Electrical and Electronic Components

Click to view similar products for [Headers & Wire Housings](#) category:

Click to view products by [Molex](#) manufacturer:

Other Similar products are found below :

[892-18-020-10-001101](#) [58102-G61-06LF](#) [582553-1](#) [0009485154](#) [009176003701906](#) [0050291907](#) [LY20-4P-DT1-P1E-BR](#) [02.125.8002.8](#)
[609-3404](#) [61062-3](#) [622-0430](#) [622-3653LF](#) [63453-116](#) [636-1030](#) [636-1427](#) [636-3427](#) [636-4007](#) [641938-9](#) [641991-4](#) [644827-2](#) [65817-010LF](#)
[65817-015LF](#) [65863-015LF](#) [66207-023LF](#) [67095-007LF](#) [67601157](#) [68648-049](#) [70.362.1628.0](#) [70-4210](#) [70-4226B](#) [70-4853B](#) [707-5020](#) [707-5028](#) [71.350.2428.0](#) [71918-208LF](#) [71961-016LF](#) [733-134](#) [733-162](#) [754199-000](#) [760-3052](#) [787-8014-00](#) [79531-3000](#) [FCN-360C032-B](#) [FCN-367T-T012/H](#) [FCN-723D010/2](#) [80.063.4001.1](#) [800-90-001-10-001000](#) [800-90-010-10-002000](#) [801-43-002-10-013000](#) [801-43-006-10-002000](#)