

**PLEASE CHECK WWW.MOLEX.COM FOR LATEST PART INFORMATION**

**Part Number:** **0350449104**  
**Status:** **Active**  
**Overview:** Board-in Connectors  
**Description:** 2.00/2.50mm Board-in Terminal, Pre-Tin Plating, Wire Insulation Diameter 1.90mm max.

**Documents:**

[Drawing \(PDF\)](#) [Packaging Specification PK-35044-001-001 \(PDF\)](#)  
[Product Specification PS-35516-001-001 \(PDF\)](#) [RoHS Certificate of Compliance \(PDF\)](#)

**General**

Product Family Crimp Terminals  
Series 35044  
Application Signal, Wire-to-Board  
Crimp Quality Equipment Yes  
Overview [Board-in Connectors](#)  
Product Name Board-in  
UPC 191128081443

**Physical**

Gender Male  
Material - Metal Brass  
Material - Plating Mating Tin  
Material - Plating Termination Tin  
Net Weight 0.030/g  
Packaging Type Reel  
Plating min - Mating 0.889µm  
Plating min - Termination 0.889µm  
Termination Interface: Style Crimp or Compression  
Wire Insulation Diameter 1.90mm max.  
Wire Size AWG 22, 24, 26, 28  
Wire Size mm<sup>2</sup> N/A

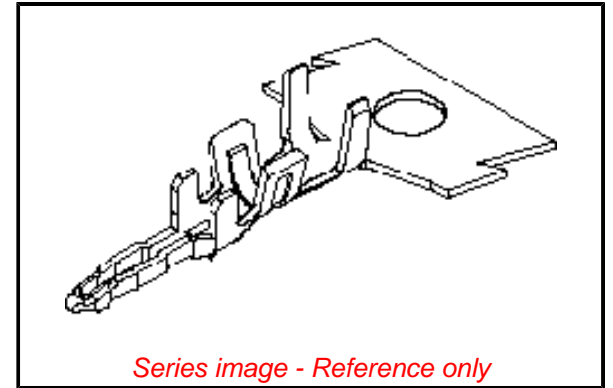
**Electrical**

Current - Maximum per Contact 2.5A  
Voltage - Maximum 125V

**Material Info**

**Reference - Drawing Numbers**

Crimp Specification CS-35044-001-001  
Packaging Specification PK-35044-001-001  
Product Specification PS-35516-001-001  
Sales Drawing SD-35044-001-001



**EU ELV**

**Compliant**

**EU RoHS**

**Compliant**

**REACH SVHC**

Not Contained Per -  
D(2021)4569-DC (8  
July 2021)

**Halogen-Free**

**Status**

**Low-Halogen**

For more information, please visit [Contact US](#)

China ROHS

ELV

RoHS Phthalates

**China RoHS**

Green Image

Compliant

Not Contained

**Search Parts in this Series**

35044 Series

**Use With**

35022 Housing

**Application Tooling | FAQ**

*Tooling specifications and manuals are found by selecting the products below. Crimp Height Specifications are then contained in the Application Tooling Specification document.*

**Global**

**Description**

**Product #**

T2 Terminator

[638537100](#)

Tooling Die

FineAdjust Applicator [638637100](#)

## X-ON Electronics

Largest Supplier of Electrical and Electronic Components

*Click to view similar products for [Headers & Wire Housings](#) category:*

*Click to view products by [Molex](#) manufacturer:*

Other Similar products are found below :

[892-18-020-10-001101](#) [58102-G61-06LF](#) [582553-1](#) [0009485154](#) [009176003701906](#) [0050291907](#) [LY20-4P-DT1-P1E-BR](#) [02.125.8002.8](#)  
[609-3404](#) [61062-3](#) [622-0430](#) [622-3653LF](#) [63453-116](#) [636-1030](#) [636-1427](#) [636-3427](#) [636-4007](#) [641938-9](#) [641991-4](#) [644827-2](#) [65817-010LF](#)  
[65817-015LF](#) [65863-015LF](#) [66207-023LF](#) [67095-007LF](#) [67601157](#) [68648-049](#) [70.362.1628.0](#) [70-4210](#) [70-4226B](#) [70-4853B](#) [707-5020](#) [707-](#)  
[5028](#) [71.350.2428.0](#) [71918-208LF](#) [71961-016LF](#) [733-134](#) [733-162](#) [754199-000](#) [760-3052](#) [787-8014-00](#) [79531-3000](#) [FCN-360C032-B](#) [FCN-](#)  
[367T-T012/H](#) [FCN-723D010/2](#) [80.063.4001.1](#) [800-90-001-10-001000](#) [800-90-010-10-002000](#) [801-43-002-10-013000](#) [801-43-006-10-002000](#)