

PLEASE CHECK WWW.MOLEX.COM FOR LATEST PART INFORMATION

Part Number: [0350689822](#)
Status: **Active**
Overview: Standard Quick-Disconnect Terminals
Description: MP-Lock Quick Disconnect, Female, for 16-20 AWG (1.31-0.52mm²), Metal Strip, Tab 4.75 x 0.80mm, Pre-Tin Plated

Documents:

[Drawing \(PDF\)](#) [RoHS Certificate of Compliance \(PDF\)](#)
[Packaging Specification PK-35068-001-001 \(PDF\)](#)

Agency Certification

UL E92853

General

Product Family Quick Disconnects
 Series [35068](#)
 Crimp Quality Equipment Yes
 Insulated No
 Overview [Standard Quick-Disconnect Terminals](#)
 Product Name MP-Lock
 Type Quick Disconnect
 UPC 800754375122

Physical

Barrel Type Open
 Gender Female
 Glow-Wire Capable No
 Insulation None
 Lock to Mating Part Yes
 Material - Metal Brass
 Material - Plating Mating Tin
 Material - Plating Termination Tin
 Net Weight 0.400/g
 Orientation Straight
 Packaging Type Reel
 Plating min - Mating 0.813µm
 Plating min - Termination 0.813µm
 Polarized to Mating Part Yes
 Tab Thickness 0.81mm
 Tab Width 4.75mm
 Temperature Range - Operating -40° to +105°C
 Termination Interface: Style Crimp or Compression
 Wire Insulation Diameter 3.40mm max.
 Wire Size AWG 16, 18, 20
 Wire Size mm² 0.50-1.30

Electrical

Voltage - Maximum 300V

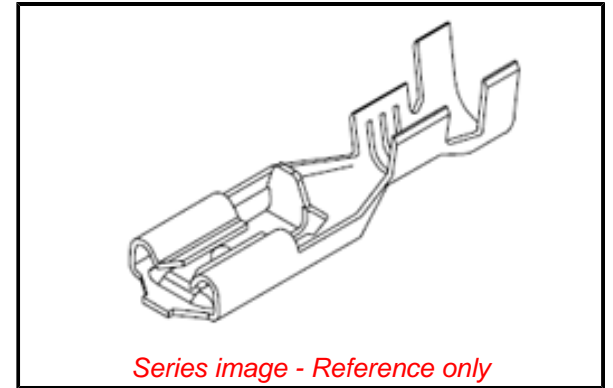
Solder Process Data

Lead-free Process Capability N/A

Material Info

Reference - Drawing Numbers

Packaging Specification PK-35068-001-001
 Sales Drawing SD-35068-982



EU ELV

Not Relevant

EU RoHS

Compliant

REACH SVHC

Not Contained Per
 -ED/88/2018 (15
 January 2019)

Halogen-Free

Status

Low-Halogen

For more information, please visit [Contact US](#)

China ROHS

ELV

RoHS Phthalates

China RoHS

Green Image

Not Relevant

Not Contained

Search Parts in this Series

[35068](#) Series

Use With

[35189](#) , [35817](#) , [35961](#)

Application Tooling | FAQ

Tooling specifications and manuals are found by selecting the products below. Crimp Height Specifications are then contained in the Application Tooling Specification document.

Global

Description

Product #

Mini-Mac Applicator [638014300](#)
 Rear Feed

This document was generated on 09/19/2019

PLEASE CHECK WWW.MOLEX.COM FOR LATEST PART INFORMATION

X-ON Electronics

Largest Supplier of Electrical and Electronic Components

Click to view similar products for [Terminals](#) category:

Click to view products by [Molex](#) manufacturer:

Other Similar products are found below :

[00-054007-01074-6](#) [00-054007-70206-1](#) [00-054007-70210-8](#) [00-054007-70217-7](#) [00-054007-70226-9](#) [00-054007-70228-3](#) [00-054007-70248-1](#) [00-054007-70256-6](#) [00-054007-70301-3](#) [00-054007-70316-7](#) [0-0320562-0](#) [00-054007-49560-4](#) [00-054007-70209-2](#) [00-054007-70225-2](#) [00-054007-70227-6](#) [00-054007-70231-3](#) [00-054007-70241-2](#) [00-054007-70242-9](#) [00-054007-70244-3](#) [00-054007-70246-7](#) [00-054007-70263-4](#) [00-054007-70288-7](#) [00-054007-70290-0](#) [00-054007-70300-6](#) [00-054007-70304-4](#) [01-2065-1-0216](#) [01-2900-1-04412](#) [00581P0075](#) [600TS-10](#) [60205-1](#) [604200-1](#) [605601-1](#) [60598-1-CUT-TAPE](#) [61314-6-C](#) [61810-3](#) [61-S](#) [626-0194](#) [62-NBM-A](#) [62-SN](#) [62-SP](#) [640179-1](#) [M55155/059I03](#) [M55155/079C01](#) [M55155/099H02](#) [M55155/109H01](#) [M55155/109H02](#) [M55155/12XH05](#) [M55155/16XH02](#) [M55155/29-5S](#) [M55155/29XJ08](#)