

PLEASE CHECK WWW.MOLEX.COM FOR LATEST PART INFORMATION

Part Number: **0350689902**
Status: **Active**
Overview: Standard Quick-Disconnect Terminals
Description: MP-Lock Quick Disconnect, Female, for 20x2, 20x18, 18x2 AWG (0.80-0.52mm²), Metal Strip, Tab 4.75 x 0.51mm, Pre-Tin Plated

Documents:

Drawing (PDF)	Product Specification PS-35817-001 (PDF)
Product Specification PS-35189-002-001 (PDF)	Packaging Specification PK-35068-001-001 (PDF)
Product Specification PS-35189-004 (PDF)	RoHS Certificate of Compliance (PDF)

Agency Certification

CSA	LR95446
UL	E92853

General

Product Family	Quick Disconnects
Series	35068
Crimp Quality Equipment	Yes
Insulated	No
Overview	Standard Quick-Disconnect Terminals
Product Name	MP-Lock
Type	Quick Disconnect
UPC	800754375146

Physical

Barrel Type	Open
Gender	Female
Glow-Wire Capable	No
Insulation	None
Lock to Mating Part	Yes
Material - Metal	Brass
Material - Plating Mating	Tin
Material - Plating Termination	Tin
Net Weight	0.440/g
Orientation	Straight
Packaging Type	Reel
Plating min - Mating	0.813µm
Plating min - Termination	0.813µm
Polarized to Mating Part	Yes
Tab Thickness	0.51mm
Tab Width	4.75mm
Temperature Range - Operating	-40° to +105°C
Termination Interface: Style	Crimp or Compression
Wire Insulation Diameter	5.50mm max.
Wire Size AWG	18, 20

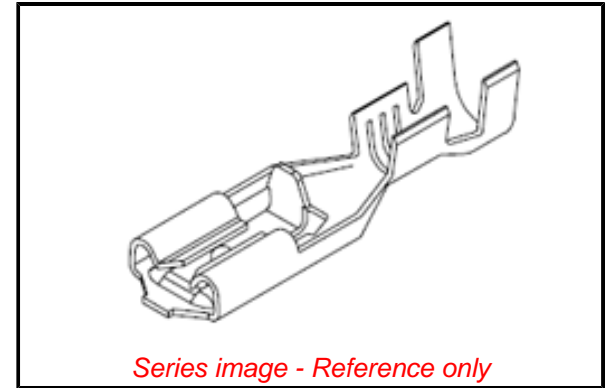
Electrical

Voltage - Maximum	300V
-------------------	------

Material Info

Reference - Drawing Numbers

Packaging Specification	PK-35068-001-001
Product Specification	PS-35189-002-001, PS-35189-004, PS-35817-001
Sales Drawing	SD-35068-9902



Series image - Reference only

EU ELV

Not Relevant

EU RoHS

Compliant

REACH SVHC

Not Contained Per - ED/71/2019 (16 July 2019)

Halogen-Free

Status

Low-Halogen

For more information, please visit [Contact US](#)

China ROHS

ELV

RoHS Phthalates

China RoHS

Green Image

Not Relevant

Not Contained

Search Parts in this Series

[35068](#) Series

Use With

[35189](#) , [35817](#) , [35961](#)

Application Tooling | FAQ

Tooling specifications and manuals are found by selecting the products below. Crimp Height Specifications are then contained in the Application Tooling Specification document.

Global

Description

Product #

Mini-Mac Applicator	638022000
Rear Feed	

This document was generated on 09/19/2019

PLEASE CHECK WWW.MOLEX.COM FOR LATEST PART INFORMATION

X-ON Electronics

Largest Supplier of Electrical and Electronic Components

Click to view similar products for [Terminals](#) category:

Click to view products by [Molex](#) manufacturer:

Other Similar products are found below :

[00-054007-01074-6](#) [00-054007-70206-1](#) [00-054007-70210-8](#) [00-054007-70217-7](#) [00-054007-70226-9](#) [00-054007-70228-3](#) [00-054007-70248-1](#) [00-054007-70256-6](#) [00-054007-70301-3](#) [00-054007-70316-7](#) [0-0320562-0](#) [00-054007-49560-4](#) [00-054007-70209-2](#) [00-054007-70225-2](#) [00-054007-70227-6](#) [00-054007-70231-3](#) [00-054007-70241-2](#) [00-054007-70242-9](#) [00-054007-70244-3](#) [00-054007-70246-7](#) [00-054007-70263-4](#) [00-054007-70288-7](#) [00-054007-70290-0](#) [00-054007-70300-6](#) [00-054007-70304-4](#) [01-2065-1-0216](#) [01-2900-1-04412](#) [00581P0075](#) [600TS-10](#) [60205-1](#) [604200-1](#) [605601-1](#) [60598-1-CUT-TAPE](#) [61314-6-C](#) [61810-3](#) [61-S](#) [62149-1](#) [626-0194](#) [62-NBM-A](#) [62-SN](#) [62-SP](#) [640179-1](#) [M55155/059I03](#) [M55155/079C01](#) [M55155/099H02](#) [M55155/109H01](#) [M55155/109H02](#) [M55155/12XH05](#) [M55155/16XH02](#) [M55155/29-5S](#)