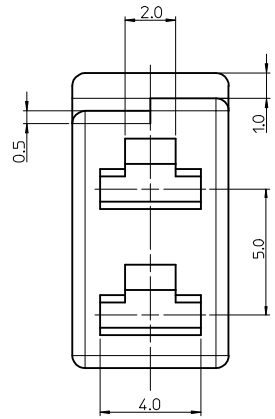
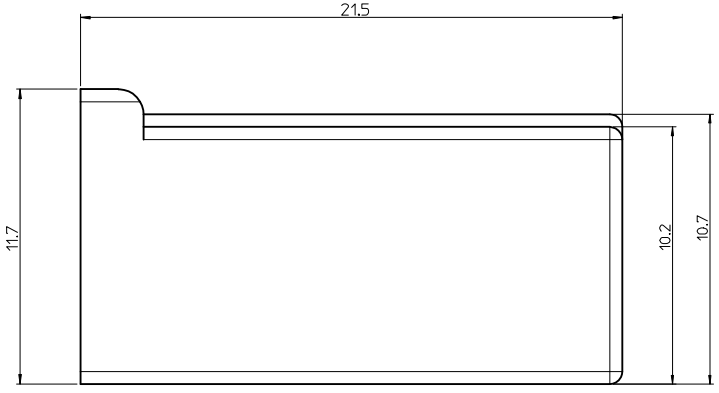
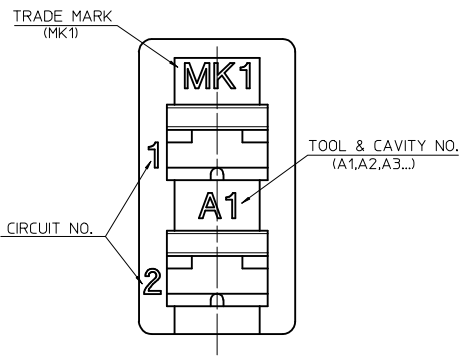
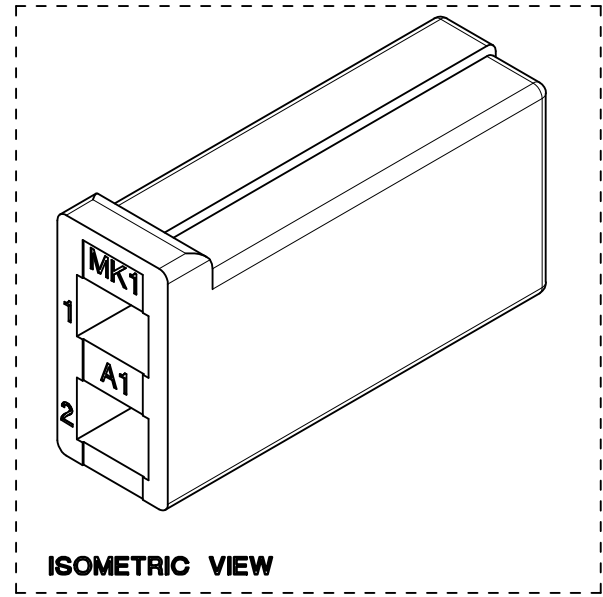
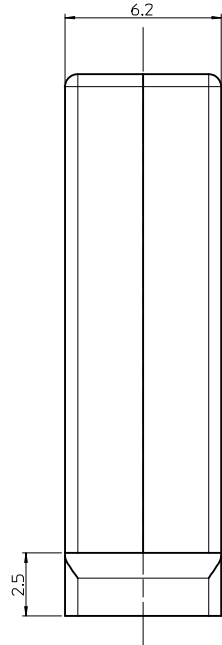


10 9 8 7 6 5 4 3 2 1



- NOTES.
1. MATERIALS: POLYAMIDE66 (PA66), UNFILLED, COLOR OF WHITE, UL94V-0
 2. PRODUCT SPECIFICATION: PS-36112-001
 3. PACKAGING SPECIFICATION: PK-35112-001
 4. APPLICABLE TERMINAL: 35711-06*0

REVISED EC NO: KOR2013-0085 DRWN:SKCHO 2013/04/15 CHKD:SHCHU 2013/04/15 APPR:YSK1M02 2013/04/25	QUALITY SYMBOLS ▽=0 ∇=0	GENERAL TOLERANCES (UNLESS SPECIFIED)		DIMENSION STYLE	SCALE	DESIGN UNITS	THIRD ANGLE PROJECTION	
		mm	INCH	MM ONLY	5:1	METRIC		
		4 PLACES	± ---	± ---	DRAWN BY	DATE	TITLE	
		3 PLACES	± ---	± ---	JS.KANG	1993/11/08	DOOR SWITCH CONN. -2P HOUSING	
A1	DESCRIPTION	2 PLACES	± 0.15	± ---	CHECKED BY	DATE		
		1 PLACE	± 0.20	± ---	BK.CH01	1993/11/08		
		0 PLACE	± ---	± ---	APPROVED BY	DATE		SD-35112-001
		ANGULAR ± 1 °		YSK1M02	2013/04/25	DOCUMENT NO.		SHEET NO.
DRAFT WHERE APPLICABLE MUST REMAIN WITHIN DIMENSIONS		MATERIAL NO.		351120210		1 OF 1		
		SIZE		THIS DRAWING CONTAINS INFORMATION THAT IS PROPRIETARY TO MOLEX INCORPORATED AND SHOULD NOT BE USED WITHOUT WRITTEN PERMISSION				
		A3						

9 8 7 6 5 4 3 2 1

X-ON Electronics

Largest Supplier of Electrical and Electronic Components

Click to view similar products for [Headers & Wire Housings](#) category:

Click to view products by [Molex](#) manufacturer:

Other Similar products are found below :

[892-18-020-10-001101](#) [58102-G61-06LF](#) [582553-1](#) [0009485154](#) [009176003701906](#) [0050291907](#) [LY20-4P-DT1-P1E-BR](#) [02.125.8002.8](#)
[609-3404](#) [61062-3](#) [622-0430](#) [622-3653LF](#) [63453-116](#) [636-1030](#) [636-1427](#) [636-3427](#) [636-4007](#) [641938-9](#) [641991-4](#) [644827-2](#) [65817-010LF](#)
[65817-015LF](#) [65863-015LF](#) [66207-023LF](#) [67095-007LF](#) [67601157](#) [68648-049](#) [70.362.1628.0](#) [70-4210](#) [70-4226B](#) [70-4853B](#) [707-5020](#) [707-](#)
[5028](#) [71.350.2428.0](#) [71918-208LF](#) [71961-016LF](#) [733-134](#) [733-162](#) [754199-000](#) [760-3052](#) [787-8014-00](#) [79531-3000](#) [FCN-360C032-B](#) [FCN-](#)
[367T-T012/H](#) [FCN-723D010/2](#) [80.063.4001.1](#) [800-90-001-10-001000](#) [800-90-010-10-002000](#) [801-43-002-10-013000](#) [801-43-006-10-002000](#)