

NOTES.

1. MATERIAL : SEE TABLE

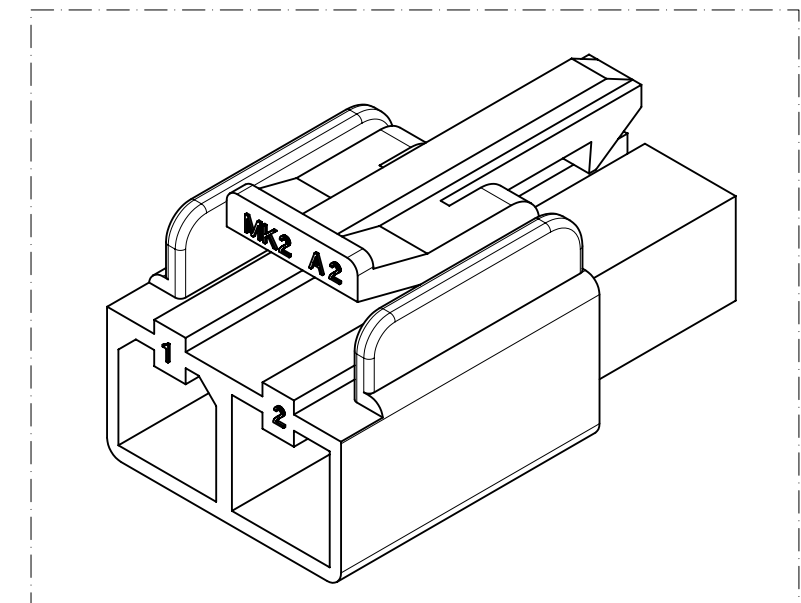
| N | PRODUCT | | MATERIAL | |
|---|------------|-------------|----------|-------------------|
| | PART NO | MATERIAL NO | COLOR | DESCRIPTION |
| 1 | 35151-0210 | 351510210 | NATURAL | PBT UL94V-0 |
| 2 | 35151-0211 | 351510211 | BLACK | |
| 3 | 35151-0212 | 351510212 | RED | |
| 4 | 35151-0214 | 351510214 | BLUE | PC/PET UL94V-0 |
| 5 | 35151-0219 | 351510219 | NATURAL | |
| 6 | 35151-2219 | 351512219 | RED | |
| 7 | 35151-3219 | 351513219 | YELLOW | |
| 8 | 35151-4219 | 351514219 | BLUE | |

2. MATED HOUSING : 35150-020*, 35150-021*

3. APPLICABLE TERMINAL : 35746-0*10

4. APPLICABLE T.P.A : 35150-0290

5. PRODUCT SPECIFICATION : PS-35150-001



| | | | | | | | | | | |
|--|---|------------------------|-------------------|------------|----------------------------------|-----------------|----------------|----------------|--------------|----------|
| FUNCTIONAL SYMBOLS | THIS DRAWING CONTAINS INFORMATION THAT IS PROPRIETARY TO MOLEX ELECTRONIC TECHNOLOGIES, LLC AND SHOULD NOT BE USED WITHOUT WRITTEN PERMISSION | | CURRENT REV DESC: | | molex | | | | | |
| | ▽A = 0 | DIMENSION UNITS: mm | SCALE: 3:1 | | | | | | | |
| ▽E = 0 | GENERAL TOLERANCES (UNLESS SPECIFIED) | | | | 6.2 PITCH W/W CONN FEMALE HSG-2P | | | | | |
| ▽P = 0 | ANGULAR TOL ± 1.0° | | | | PRODUCT CUSTOMER DRAWING | | | | | |
| DIVISIONAL SYMBOLS | 4 PLACES ± | EC NO: 648465 | | 2019/07/09 | | DOCUMENT NUMBER | | DOC TYPE | DOC PART | REVISION |
| | 3 PLACES ± | DRWN: SCHONG03 | | 2020/11/05 | | SD-35151-021X | | PSD | 001 | J |
| | 2 PLACES ± | CHK'D: JDPARK01 | | 2020/11/05 | | MATERIAL NUMBER | | CUSTOMER | | |
| | 1 PLACE ± 0.3 | APPR: YUNSIKKIM | | 2018/12/06 | | SEE TABLE | | GENERAL MARKET | | |
| | 0 PLACES ± | DRWN: RFC_PLMIMP | | 2007/09/10 | | SERIES | | SHEET NUMBER | | |
| DRAFT WHERE APPLICABLE MUST REMAIN WITHIN DIMENSIONS | | THIRD ANGLE PROJECTION | | DRAWING | SERIES | MATERIAL NUMBER | CUSTOMER | | SHEET NUMBER | |
| | | | | A3-SIZE | 35151 | SEE TABLE | GENERAL MARKET | | 1 OF 1 | |

X-ON Electronics

Largest Supplier of Electrical and Electronic Components

Click to view similar products for [Headers & Wire Housings](#) category:

Click to view products by [Molex](#) manufacturer:

Other Similar products are found below :

[892-18-020-10-001101](#) [58102-G61-06LF](#) [582553-1](#) [0009485154](#) [009176003701906](#) [0050291907](#) [LY20-4P-DT1-P1E-BR](#) [02.125.8002.8](#)
[609-3404](#) [61062-3](#) [622-0430](#) [622-3653LF](#) [63453-116](#) [636-1030](#) [636-1427](#) [636-3427](#) [636-4007](#) [641938-9](#) [641991-4](#) [644827-2](#) [65817-010LF](#)
[65817-015LF](#) [65863-015LF](#) [66207-023LF](#) [67095-007LF](#) [67601157](#) [68648-049](#) [70.362.1628.0](#) [70-4210](#) [70-4226B](#) [70-4853B](#) [707-5020](#) [707-5028](#) [71.350.2428.0](#) [71918-208LF](#) [71961-016LF](#) [733-134](#) [733-162](#) [754199-000](#) [760-3052](#) [787-8014-00](#) [79531-3000](#) [FCN-360C032-B](#) [FCN-367T-T012/H](#) [FCN-723D010/2](#) [80.063.4001.1](#) [800-90-001-10-001000](#) [800-90-010-10-002000](#) [801-43-002-10-013000](#) [801-43-006-10-002000](#)