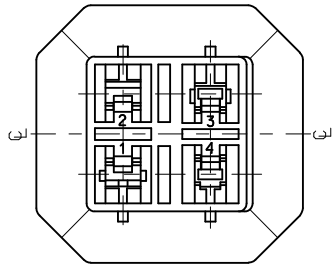
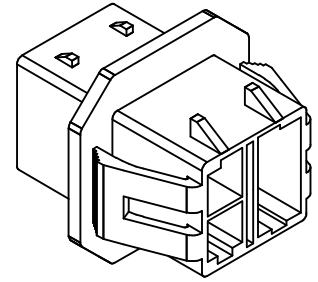
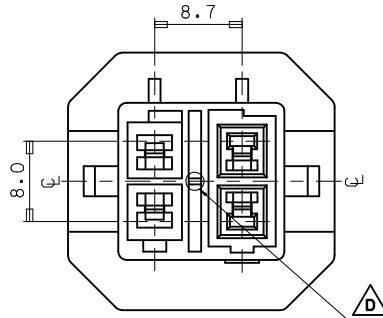


10 9 8 7 6 5 4 3 2 1

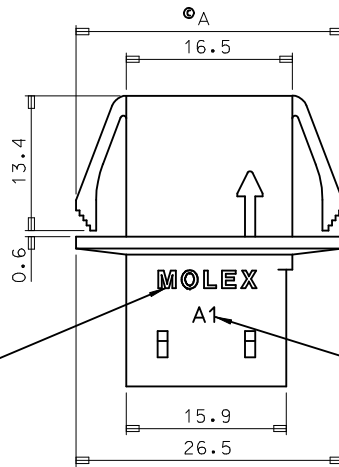
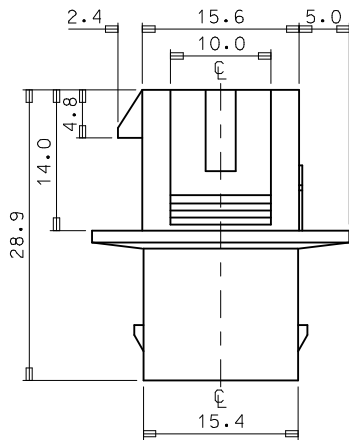


VIEW "A"



NOTES.

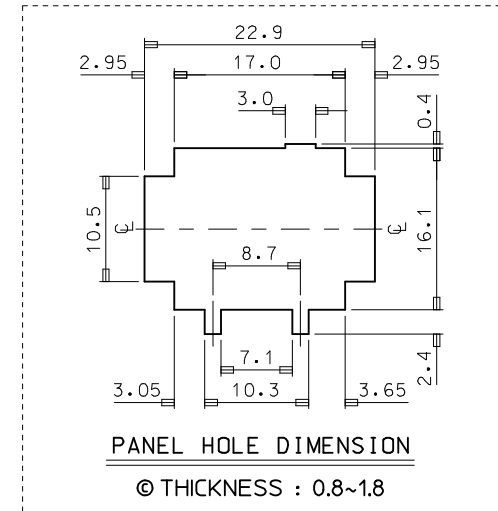
1. MATERIAL & COLOR : SEE TABLE
2. MATED HOUSING : 35181-020\*, 35965-020\*/920\*  
35181-021\*, 35965-021\*/921\*
3. APPLICABLE TERMINAL : 35745-0\*10 (1 CIRCUIT)  
35746-0\*10 (3 CIRCUIT)  
35747-0\*10 (2 CIRCUIT)  
35748-0\*10 (4 CIRCUIT)
- ④ 4. APPLICABLE T.P.A : 35182-029\*
5. PRODUCT SPECIFICATION : PS-35180-002



TRADE MARK

© TOOL & CAVITY NO  
(TOOL:A,B..CAV:1,2..)

VIEW "A"



PANEL HOLE DIMENSION

© THICKNESS : 0.8~1.8

NO	PRODUCT		MATERIAL		DIMENSION ①(A)
	PART NO	MATERIAL NO	COLOR	DESCRIPTION	
1	35180-0400	351800400	NATURAL	PBT (UL94V-0)	26.2
2	35180-0404	351800404	BLUE		
3	35180-0409	351800409	NATURAL	PC/PET (UL94V-0)	26.5
4	35180-3409	351803409	YELLOW		
5	35180-4409	351804409	BLUE		

REVISED	EC NO: KOR2014-0009	2013/08/12
	DRWN: JSSHIN	2013/08/12
	CHKD: SHCHU	
	APPR: YSK1M02	2013/09/03
D1	REV	DESCRIPTION

QUALITY SYMBOLS	▽=0
	∠=0

GENERAL TOLERANCES (UNLESS SPECIFIED)	
	mm INCH
4 PLACES	± --- ± ---
3 PLACES	± --- ± ---
2 PLACES	± --- ± ---
1 PLACE	± 0.3 ± ---
ANGULAR ± 1 °	
DRAFT WHERE APPLICABLE MUST REMAIN WITHIN DIMENSIONS	

DIMENSION STYLE	
MM ONLY	
DRAWN BY	DATE
JS.KANG	1995/09/28
CHECKED BY	DATE
CW.LEE	1995/09/28
APPROVED BY	DATE
CW.LEE	1995/09/28
MATERIAL NO.	
SEE TABLE	
SIZE	A3

SCALE	2:1	DESIGN UNITS	METRIC	THIRD ANGLE PROJECTION
TITLE				
.070 MULTI W/W CONN MALE HSG-4P				
MOLEX INCORPORATED			SHEET NO.	
DOCUMENT NO.			1 OF 01	
SD-35180-040*				
THIS DRAWING CONTAINS INFORMATION THAT IS PROPRIETARY TO MOLEX INCORPORATED AND SHOULD NOT BE USED WITHOUT WRITTEN PERMISSION				

9 8 7 6 5 4 3 2 1

## X-ON Electronics

Largest Supplier of Electrical and Electronic Components

*Click to view similar products for [Headers & Wire Housings](#) category:*

*Click to view products by [Molex](#) manufacturer:*

Other Similar products are found below :

[0009485154](#) [0009624107](#) [0009652039](#) [0010894262](#) [00136](#) [0014563224](#) [0015477550](#) [0015917081](#) [00201300061](#) [0022102161](#) [0022173172](#)  
[0022173242](#) [0022283030](#) [0026482241](#) [0026604103](#) [0039026044](#) [0039036124](#) [0050291907](#) [0050304461](#) [0050361796](#) [0050650112](#) [005093X](#)  
[005758D](#) [005759B](#) [008263021200000+](#) [008263021200001+](#) [008263031200000+](#) [008263041200000+](#) [008263061200000+](#)  
[008283021100000+](#) [008283021200000+](#) [008283041200000+](#) [008283061100000+](#) [008283061200000+](#) [008283081200000+](#)  
[008283161310000+](#) [008283161400000+](#) [008370127000800](#) [008370151000800+](#) [008370167001800+](#) [008370217000800+](#) [008380026002010](#)  
[008380050002010](#) [008383010000010](#) [008426-000](#) [009021041100339](#) [009021061200339](#) [009021101200339](#) [009021121200339](#)  
[009021142200339](#)