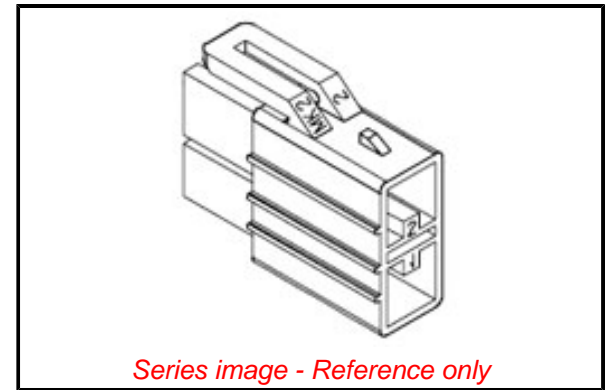


PLEASE CHECK WWW.MOLEX.COM FOR LATEST PART INFORMATION

Part Number: [0351810220](#)
Status: **Active**
Overview: [VersaBlade Wire-to-Wire Connector System](#)
Description: VersaBlade Multi-Module Hybrid Plug Housing, 2 Circuits, Friction Lock, Type C, Natural

Documents:

3D Model	Packaging Specification 351810200-100 (PDF)
Drawing (PDF)	Datasheet (PDF)
3D Model (PDF)	Brochure (PDF)
Product Specification PS-35182-003-001 (PDF)	RoHS Certificate of Compliance (PDF)



Agency Certification

CSA	LR19980
UL	E29179

General

Product Family	Crimp Housings
Series	35181
Application	Power, Wire-to-Wire
Brochure Order No	987651-4231
Datasheet Order No	987651-3631
Overview	VersaBlade Wire-to-Wire Connector System
Product Name	VersaBlade
UPC	800754376112

Physical

Circuits (maximum)	2
Color - Resin	Natural
Flammability	94V-0
Gender	Plug
Glow-Wire Capable	No
Keying to Mating Part	None
Lock to Mating Part	Yes
Material - Resin	PBT
Net Weight	1.700/g
Number of Rows	2
Packaging Type	Bag
Panel Mount	No
Pitch - Mating Interface	8.00mm
Pitch - Termination Interface	8.00mm
Polarized to Mating Part	Yes
Stackable	No
Temperature Range - Operating	-40° to +120°C

Material Info

Reference - Drawing Numbers

Packaging Specification	351810200-100
Product Specification	PS-35182-003-001
Sales Drawing	SD-35181-022X

EU ELV

Not Relevant

EU RoHS

Compliant

REACH SVHC

Not Contained Per -
ED/71/2019 (16 July
2019)

Halogen-Free

Status

Not Low-Halogen

For more information, please visit [Contact US](#)

China ROHS

ELV

RoHS Phthalates

China RoHS

Green Image

Not Relevant

Not Contained

Search Parts in this Series

[35181](#) Series

Mates With

VersaBlade Multi-Module 2-2-2 Receptacle Housing [351800600](#) , [351800609](#) , [351803609](#) , [351804609](#)

Use With

VersaBlade Crimp Terminals [35748](#)

VersaBlade TPA [351820190](#) ,
[351820192](#) , [351820193](#) , [351820194](#)

X-ON Electronics

Largest Supplier of Electrical and Electronic Components

Click to view similar products for [Headers & Wire Housings](#) category:

Click to view products by [Molex](#) manufacturer:

Other Similar products are found below :

[892-18-020-10-001101](#) [58102-G61-06LF](#) [582553-1](#) [0009485154](#) [009176003701906](#) [0050291907](#) [LY20-4P-DT1-P1E-BR](#) [02.125.8002.8](#)
[609-3404](#) [61062-3](#) [622-0430](#) [622-3653LF](#) [63453-116](#) [636-1030](#) [636-1427](#) [636-3427](#) [636-4007](#) [641938-9](#) [641991-4](#) [644827-2](#) [65817-010LF](#)
[65817-015LF](#) [65863-015LF](#) [66207-023LF](#) [67095-007LF](#) [67601157](#) [68648-049](#) [70.362.1628.0](#) [70-4210](#) [70-4226B](#) [70-4853B](#) [707-5020](#) [707-5028](#) [71.350.2428.0](#) [71918-208LF](#) [71961-016LF](#) [733-134](#) [733-162](#) [754199-000](#) [760-3052](#) [787-8014-00](#) [79531-3000](#) [FCN-360C032-B](#) [FCN-367T-T012/H](#) [FCN-723D010/2](#) [80.063.4001.1](#) [800-90-001-10-001000](#) [800-90-010-10-002000](#) [801-43-002-10-013000](#) [801-43-006-10-002000](#)