

DO NOT SCALE DRAWING DIMENSION IN METRIC

DWG. NO. SD 35519-160*

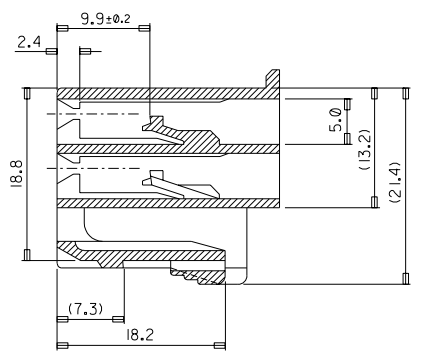
SIMILAR ITEM

PROJECT NO. KOR 96-038

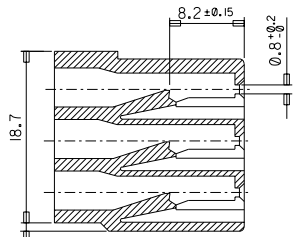
C

B

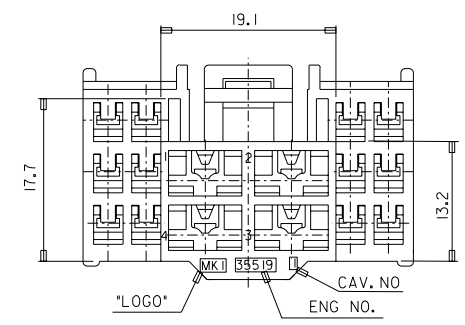
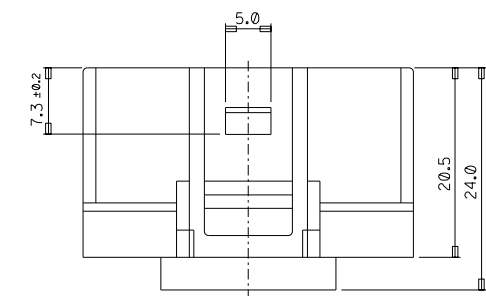
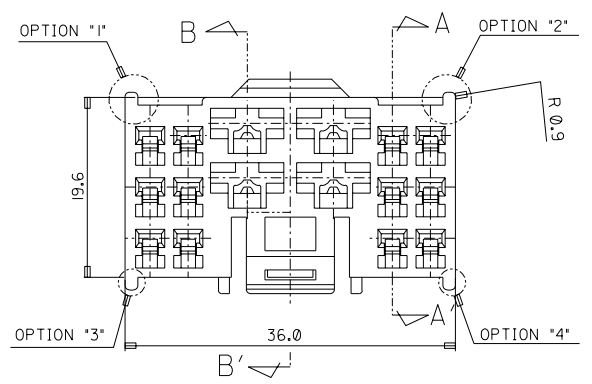
REV



SECTION B-B'

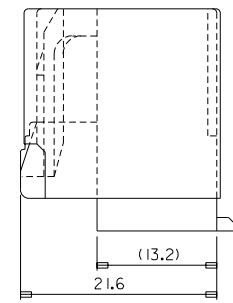


SECTION A-A'



*TABLE 1

PART NO.	COLOR	REMARKS
E 35519-1600	NATERAL	WITH OPTION "2"
E 35519-1601	BLACK	WITH OPTION "1"
E 35519-1603	YELLOW	WITH OPTION "4"
E 35519-1605	GRAY	WITH OPTION "3"



NOTE

- MATERIAL : POLYESTER (P.B.T)
- COLOR : SEE TABLE 1.
- APPLICABLE TERMINAL : 35407-6*02/
35427-9***
- APPLICABLE HOUSING : 35522-240*/35523-160*.
- PRODUCT SPECIFICATION : PS-35519-0001.

REVISED EC NO. KOR 1998-0116 DRAWN: C.Y.CHO CHK: B.K.CHOI APPR: C.W.LEE	DESCRIPTION MAJOR CRITICAL C	QUALITY SYMBOLS	GENERAL TOLERANCES: (UNLESS SPECIFIED) mm INCH 4 PLACES ±0. ±. 3 PLACES ±0. ±. 2 PLACES ±0.20 ±. 1 PLACE ±0.30 ±.	SCALE DESIGN UNITS <input checked="" type="checkbox"/> mm <input type="checkbox"/> INCH	DRAWN BY & DATE C.Y.CHO 1998.05.15	CHECKED BY & DATE B.K.CHOI 1998.05.15	APPROVED BY & DATE C.W.LEE 1998.05.15	DIMENSIONS: <input type="checkbox"/> mm <input type="checkbox"/> INCH <input checked="" type="checkbox"/> mm <input type="checkbox"/> mm ONLY	SHT REV REVISE ON CAD ONLY	
										CAD FILENAME SD35519.DGN
TITLE: 090/250 HYBRID FEMALE HOUSING (16P)						MOLEX INCORPORATED KOREA				
DRAFT WHERE APPLICABLE MUST REMAIN WITHIN DIMENSIONS								THIS DRAWING CONTAINS INFORMATION THAT IS PROPRIETARY TO MOLEX INCORPORATED AND SHOULD NOT BE USED WITHOUT WRITTEN PERMISSION.		SIZE B

X-ON Electronics

Largest Supplier of Electrical and Electronic Components

Click to view similar products for [Headers & Wire Housings](#) category:

Click to view products by [Molex](#) manufacturer:

Other Similar products are found below :

[892-18-020-10-001101](#) [58102-G61-06LF](#) [582553-1](#) [0009485154](#) [009176003701906](#) [0050291907](#) [LY20-4P-DT1-P1E-BR](#) [02.125.8002.8](#)
[609-3404](#) [61062-3](#) [622-0430](#) [622-3653LF](#) [63453-116](#) [636-1030](#) [636-1427](#) [636-3427](#) [636-4007](#) [641938-9](#) [641991-4](#) [644827-2](#) [65817-010LF](#)
[65817-015LF](#) [65863-015LF](#) [66207-023LF](#) [67095-007LF](#) [67601157](#) [68648-049](#) [70.362.1628.0](#) [70-4210](#) [70-4226B](#) [70-4853B](#) [707-5020](#) [707-5028](#) [71.350.2428.0](#) [71918-208LF](#) [71961-016LF](#) [733-134](#) [733-162](#) [754199-000](#) [760-3052](#) [787-8014-00](#) [79531-3000](#) [FCN-360C032-B](#) [FCN-367T-T012/H](#) [FCN-723D010/2](#) [80.063.4001.1](#) [800-90-001-10-001000](#) [800-90-010-10-002000](#) [801-43-002-10-013000](#) [801-43-006-10-002000](#)