

**PLEASE CHECK WWW.MOLEX.COM FOR LATEST PART INFORMATION**

**Part Number:** **0355330215**  
**Status:** **Active**  
**Overview:** Automotive Bulb Sockets  
**Description:** PT Bulb Socket Single Housing Assembly, Type B, P21W, Unsealed, Gray

**Documents:**

|                                |  |
|--------------------------------|--|
| <a href="#">3D Model</a>       | <a href="#">Product Specification PS-35532-001-001 (PDF)</a>   |
| <a href="#">Drawing (PDF)</a>  | <a href="#">Packaging Specification PK-35533-001-001 (PDF)</a> |
| <a href="#">3D Model (PDF)</a> | <a href="#">RoHS Certificate of Compliance (PDF)</a>           |

**General**

|                |                                |
|----------------|--------------------------------|
| Product Family | Other Sockets                  |
| Series         | <u>35533</u>                   |
| Comments       | B-Type, B-Type                 |
| Component Type | Socket                         |
| Overview       | <u>Automotive Bulb Sockets</u> |
| Product Name   | PT Bulb Socket                 |
| UPC            | 800755953473                   |

**Physical**

|                                |                 |
|--------------------------------|-----------------|
| Circuits (Loaded)              | 2               |
| Circuits (maximum)             | 2               |
| Color - Resin                  | Gray            |
| Durability (mating cycles max) | 50              |
| Entry Angle                    | Vertical        |
| Keying to Mating Part          | None            |
| Material - Metal               | Phosphor Bronze |
| Material - Resin               | Nylon           |
| Net Weight                     | 5.111/g         |
| PCB Locator                    | No              |
| PCB Retention                  | N/A             |
| Packaging Type                 | Bag             |
| Pitch - Mating Interface       | N/A             |
| Temperature Range - Operating  | -40° to +85°C   |
| Termination Interface: Style   | Through Hole    |

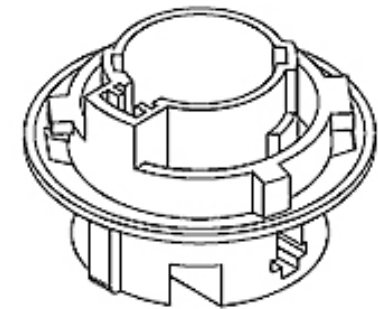
**Electrical**

|                               |      |
|-------------------------------|------|
| Current - Maximum per Contact | 7.0A |
| Voltage - Maximum             | 12V  |

**Material Info**

**Reference - Drawing Numbers**

|                         |                  |
|-------------------------|------------------|
| Packaging Specification | PK-35533-001-001 |
| Product Specification   | PS-35532-001-001 |
| Sales Drawing           | SD-35533-002     |



*Series image - Reference only*

**EU ELV**

**Compliant**

**EU RoHS**

**Compliant**

**REACH SVHC**

Not Contained Per -  
ED/71/2019 (16 July  
2019)

**Halogen-Free**

**Status**

**Not Relevant**

For more information, please visit [Contact US](#)

China ROHS

ELV

RoHS Phthalates

**China RoHS**

Not Relevant

Compliant

Not Contained

**Search Parts in this Series**

[35533 Series](#)

**Mates With**

Bayonet Base Bulb

**Use With**

Positive Terminal for PT Bulb Socket [35438](#)  
<br>Earth Terminal for PT Bulb Socket  
[35439](#)

## X-ON Electronics

Largest Supplier of Electrical and Electronic Components

*Click to view similar products for [Automotive Connectors](#) category:*

*Click to view products by [Molex](#) manufacturer:*

Other Similar products are found below :

[003-018-000](#) [60403001](#) [60993906-B](#) [M902-2131](#) [M902-2161](#) [72.330.1035.1](#) [73.353.4028.0](#) [F119300-B](#) [F166900](#) [F258300-B](#) [F358300-B](#)  
[F407400](#) [F444110](#) [F487000](#) [F509500B-B](#) [827153-1](#) [8N1515-32-24P](#) [9-1326729-8](#) [925474-1](#) [928905-1](#) [964562-4](#) [968782-1](#) [GT17SA-8DS-](#)  
[HU](#) [98891-1012](#) [98947-1016](#) [12004147](#) [12004475-L](#) [12010290](#) [12010309-B](#) [12015454](#) [12020219-B](#) [12020308](#) [12041318-B](#) [12052466](#)  
[12059125](#) [12064869](#) [12004327-B](#) [12010503-B](#) [12015308](#) [12015384](#) [12015909](#) [1-21030-1](#) [12041254](#) [12041318](#) [12047946-B](#) [12047957](#)  
[12047957-L](#) [12059473](#) [12066261](#) [12110546](#)