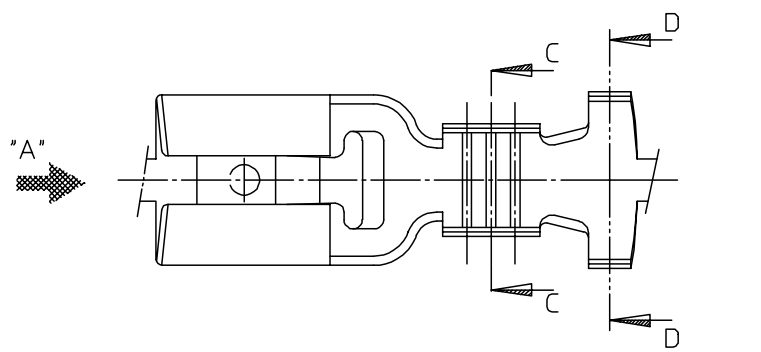
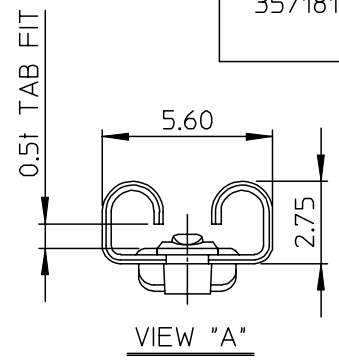
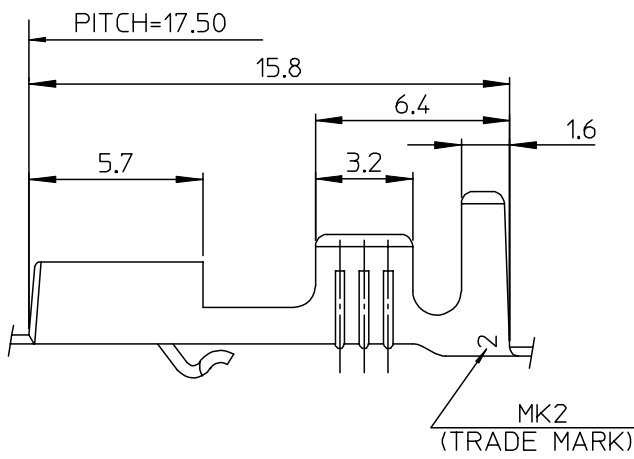


DWG. NO. SD-35718-001  
 SIMILAR ITEM  
 PROJECT NO.  
 DO NOT SCALE DRAWING DIMENSION IN METRIC

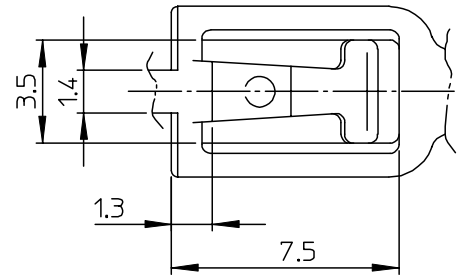
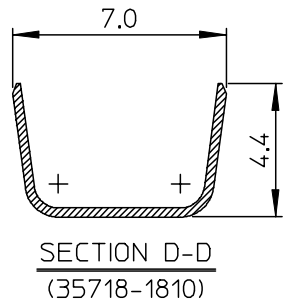
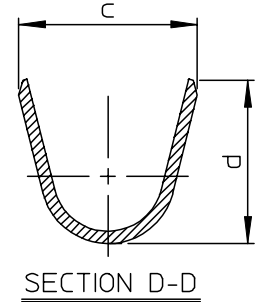
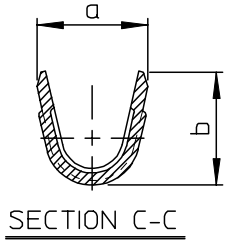
8      7      6      5      4      3      2      1



MATERIAL NO.	ENG NO.	a	b	c	d	WIRE RANGE
357181610	35718-1610	2.1	2.2	3.9	3.9	AWG #24-#22
357181710	35718-1710	3.2	3.4	5.3	5.2	AWG #20-#16
357181810	35718-1810	4.0	4.0	--	--	AWG #20-#20
						AWG #18-#20
						AWG #18-#18



- NOTES
1. MATERIAL : BRASS,0.30mm THICKNESS
  2. FINISH : PRE-PLATED TIN
  3. MATING TAB THICKNESS: 0.5mm
  4. RECOMMENDED LENGTH OF WIRE STRIP IS 4.5-5.0mm



REDRAWN ECN NO. KOR2004-0079 DRWN. C.B.CHIN 03/12/08 CHK: W.Y.YANG APPR: CW.LEE	DESCRIPTION MAJOR $\nabla = 0$ CRITICAL $\nabla C = 0$	GENERAL TOLERANCES: (UNLESS SPECIFIED)		SCALE 5:1	DESIGN UNITS <input checked="" type="checkbox"/> mm <input type="checkbox"/> INCH	<input checked="" type="checkbox"/> THIRD ANGLE <input type="checkbox"/> FIRST ANGLE PROJECTION	DIMENSIONS: <input type="checkbox"/> mm <input type="checkbox"/> INCH <input checked="" type="checkbox"/> mm ONLY	SHT REV
		4 PLACES $\pm 0.$	INCH $\pm -$	DRAWN BY & DATE J.S.KANG 94/01/04	TITLE: .187 SAFE LOCK RECEPTACLE			
		3 PLACES $\pm 0.$	INCH $\pm -$	CHECKED BY & DATE B.K.CHOI 94/01/04				
		2 PLACES $\pm 0.30$	INCH $\pm -$	APPROVED BY & DATE C.W.LEE 94/01/04	MOLEX INCORPORATED			
1 PLACE $\pm 0.30$	INCH $\pm -$	CAD FILENAME S7181610AA.MI	MATERIAL NO. SEE CHART	DRAWING NO. SD-35718-001				SHEET NO. 1 OF 1
B	REV	DRAFT WHERE APPLICABLE MUST REMAIN WITHIN DIMENSIONS			THIS DRAWING CONTAINS INFORMATION THAT IS PROPRIETARY TO MOLEX INCORPORATED AND SHOULD NOT BE USED WITHOUT WRITTEN PERMISSION.			SIZE B

8      7      6      5      4      3      2      1

KOREA      MX-A3

## X-ON Electronics

Largest Supplier of Electrical and Electronic Components

*Click to view similar products for [Terminals](#) category:*

*Click to view products by [Molex](#) manufacturer:*

Other Similar products are found below :

[00-054007-01074-6](#) [00-054007-70206-1](#) [00-054007-70210-8](#) [00-054007-70217-7](#) [00-054007-70226-9](#) [00-054007-70228-3](#) [00-054007-70248-1](#) [00-054007-70256-6](#) [00-054007-70301-3](#) [00-054007-70316-7](#) [0-0320562-0](#) [00-054007-49560-4](#) [00-054007-70209-2](#) [00-054007-70225-2](#) [00-054007-70227-6](#) [00-054007-70231-3](#) [00-054007-70241-2](#) [00-054007-70242-9](#) [00-054007-70244-3](#) [00-054007-70246-7](#) [00-054007-70263-4](#) [00-054007-70288-7](#) [00-054007-70290-0](#) [00-054007-70300-6](#) [00-054007-70304-4](#) [01-2065-1-0216](#) [01-2900-1-04412](#) [00581P0075](#) [600TS-10](#) [60205-1](#) [604200-1](#) [605601-1](#) [60598-1-CUT-TAPE](#) [61314-6-C](#) [61810-3](#) [61-S](#) [61-SN](#) [626-0194](#) [62-NBM-A](#) [62-SN](#) [62-SP](#) [640179-1](#) [M55155/059I03](#) [M55155/079C01](#) [M55155/099H02](#) [M55155/109H01](#) [M55155/109H02](#) [M55155/12XH05](#) [M55155/16XH02](#) [M55155/29-5S](#)