

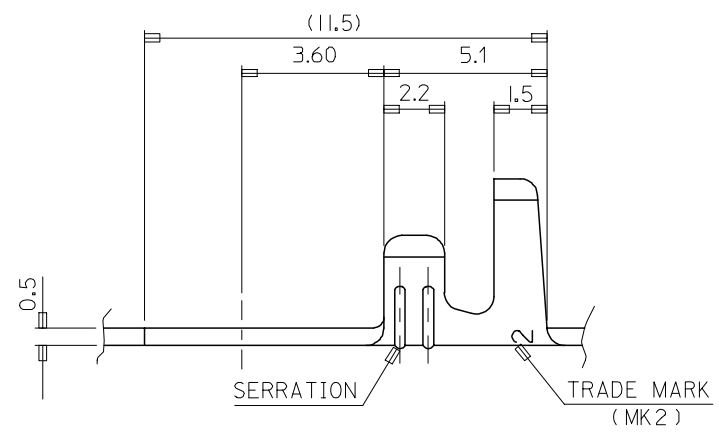
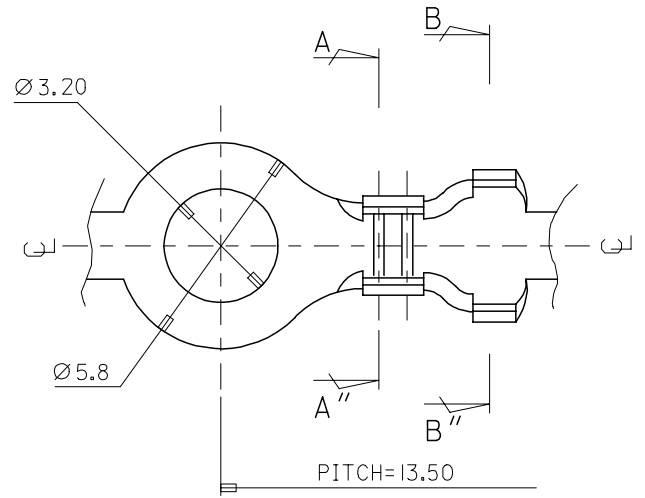
DWG. NO.
SD-35750-005

SIMILAR ITEM

PROJECT NO.

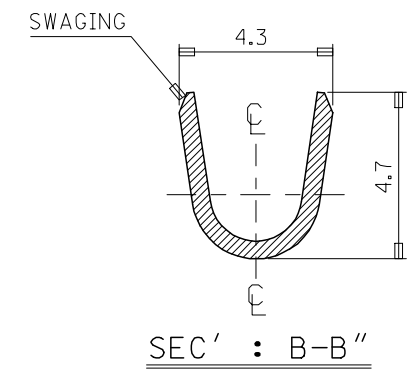
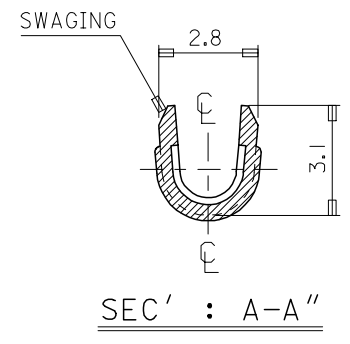
B

DO NOT SCALE DRAWING
DIMENSION IN METRIC



NOTES

1. MATERIAL : BRASS, 0.5mm THICKNESS
2. FINISH : 35750-0500 : UNPLATED
35750-0510 : POST PLATED TIN
35750-0560 : POST PLATED TIN (LEAD FREE)
3. RECOMMENDED LENGTH OF WIRE STRIP IS 2.9-3.4mm.
4. APPLICABLE WIRE RANGE : AWG#20 - #16



REVISED (REDRAWN) ECN NO. KOR 2006-0109 DRWN: J.B.JIN 06/03/06 CHK: W.Y.YANG APPR: S.H.CHOI	DESCRIPTION
B	REV

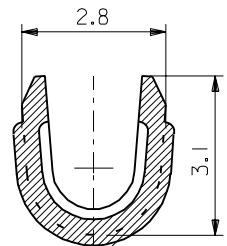
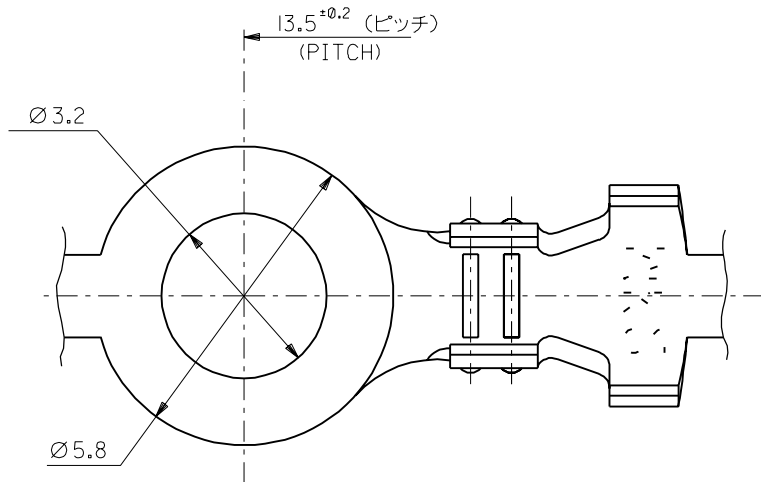
QUALITY SYMBOLS	MAJOR ▲	CRITICAL ▽
DESCRIPTION		

GENERAL TOLERANCES: (UNLESS SPECIFIED)	mm	INCH
4 PLACES	±0.	±-
3 PLACES	±0.	±-
2 PLACES	±0.15	±-
1 PLACE	±0.2	±-
ANGULAR:	±	1°
DRAFT WHERE APPLICABLE MUST REMAIN WITHIN DIMENSIONS		

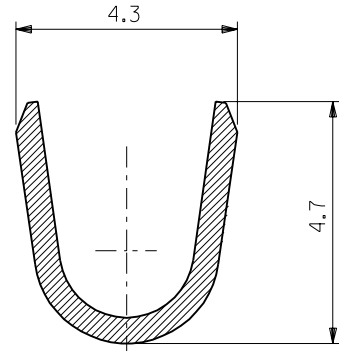
SCALE 7/1	DESIGN UNITS <input checked="" type="checkbox"/> mm <input type="checkbox"/> INCH
DRAWN BY & DATE J.S.KANG 98/01/09	
CHECKED BY & DATE B.K.CHOI 98/01/12	
APPROVED BY & DATE B.K.CHOI 98/01/12	
CAD FILENAME e7500500.dgn	MATERIAL NO. SEE NOTES

DIMENSIONS: <input type="checkbox"/> mm <input type="checkbox"/> INCH <input checked="" type="checkbox"/> mm ONLY		SHT REVISE ON CAD ONLY
THIRD ANGLE PROJECTION		
TITLE: Ø 3.2 RING TERMINAL(132)		
MOLEX INCORPORATED		
DRAWING NO. SD-35750-005	SHEET NO. 1 OF 1	SIZE B

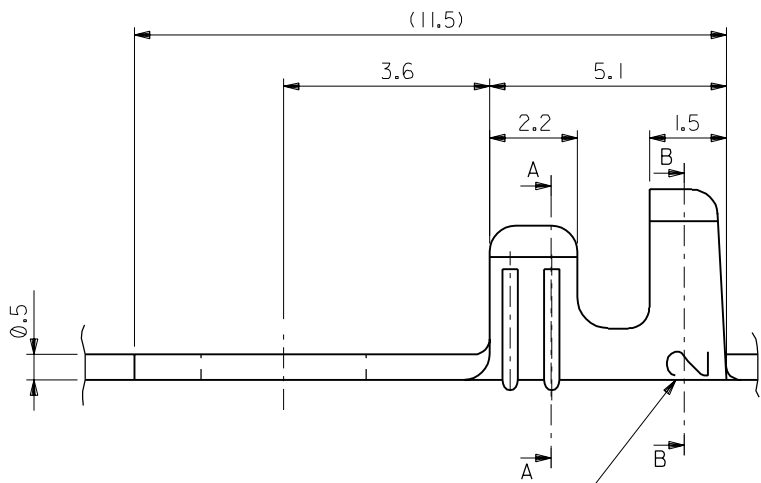
DWG. NO.
SD-35750-05*0



断面 A-A
SECT. A-A



断面 B-B
SECT. B-B



トレードマーク (MK2)
TRADE MARK (MK2)

注記
NOTES

- 一般公差 : ±0.3
GENERAL TOLERANCES : ±0.3
 - 材料 : 黄銅 , 厚さ 0.5mm
MATERIAL : BRASS , 0.5mm THICKNESS
 - 製品番号
ENG.NO.
- | 製品番号
ENG. NO. | メッキ
PLATING | 梱包数
QUANTITY |
|------------------|---------------------------|-----------------|
| 35750-0500 | メッキ無し
NONE | 10000/REEL |
| 35750-0510 | 錫メッキ
TIN PLATING | |
| 35750-0540 | 平田メッキ
TIN-LEAD PLATING | |
- 推奨ストリップ長 : 2.9-3.4mm.
RECOMMENDED LENGTH OF WIRE STRIP : 2.9-3.4mm.

				材料 MATERIAL	注記参照 SEE NOTES	molex MOLEX-JAPAN CO.,LTD. 日本モレックス株式会社
				仕上げ FINISH	注記参照 SEE NOTE	
				適用電線範囲 WIRE RANGE	AWG:#20-#16 0.5-1.38mm ²	TITLE 名称
				被覆外径 INS. RANGE	—	Ø 3.2 RING TERMINAL
				DRAWN BY '97/2/26 S.MATSUZAKI	CHK'D BY '98/1/19 S.KUNISHI	DWG. NO.
				APP'D BY '98/1/19 M.FUKUSHIMA	尺度 SCALE	SD-35750-05*0
				記号 LTR	変更内容 REVISION RECORD	REV
				DR. CHK.	日付 DATE	D

角度 ANGLE	±3°
30 以上 OVER	±0.3
10 以上 30 未満 OVER UNDER	±0.25
10 未満 UNDER	±0.2
一般公差 GENERAL TOLERANCES	

DIMENSIONS IN METRIC DO NOT SCALE DRAWING

35750.502

X-ON Electronics

Largest Supplier of Electrical and Electronic Components

Click to view similar products for [Terminals](#) category:

Click to view products by [Molex](#) manufacturer:

Other Similar products are found below :

[00-054007-01074-6](#) [00-054007-70206-1](#) [00-054007-70210-8](#) [00-054007-70217-7](#) [00-054007-70226-9](#) [00-054007-70228-3](#) [00-054007-70248-1](#) [00-054007-70256-6](#) [00-054007-70301-3](#) [00-054007-70316-7](#) [0-0320562-0](#) [00-054007-49560-4](#) [00-054007-70209-2](#) [00-054007-70225-2](#) [00-054007-70227-6](#) [00-054007-70231-3](#) [00-054007-70241-2](#) [00-054007-70242-9](#) [00-054007-70244-3](#) [00-054007-70246-7](#) [00-054007-70263-4](#) [00-054007-70288-7](#) [00-054007-70290-0](#) [00-054007-70300-6](#) [00-054007-70304-4](#) [01-2065-1-0216](#) [01-2900-1-04412](#) [00581P0075](#) [600TS-10](#) [60205-1](#) [604200-1](#) [605601-1](#) [60598-1-CUT-TAPE](#) [61314-6-C](#) [61810-3](#) [61-S](#) [61-SN](#) [626-0194](#) [62-NBM-A](#) [62-SN](#) [62-SP](#) [63-S](#) [640179-1](#) [M55155/059I03](#) [M55155/079C01](#) [M55155/099H02](#) [M55155/109H01](#) [M55155/109H02](#) [M55155/12XH05](#) [M55155/16XH02](#)