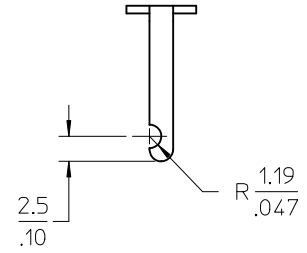
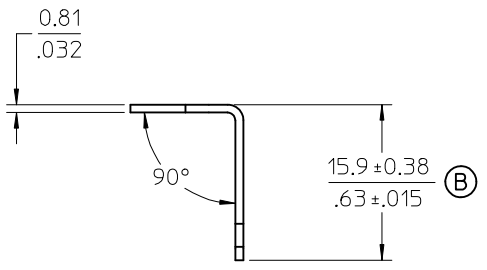


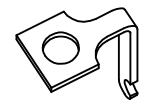
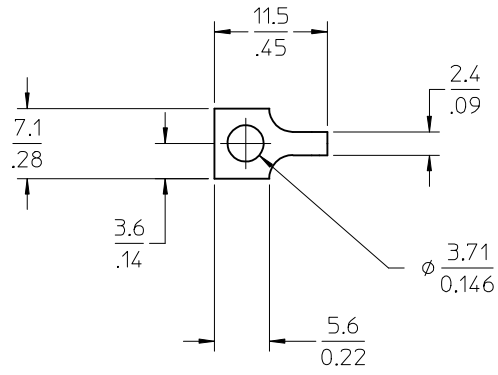
AUX.VIEW
SCALE:2X



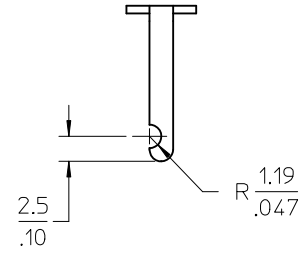
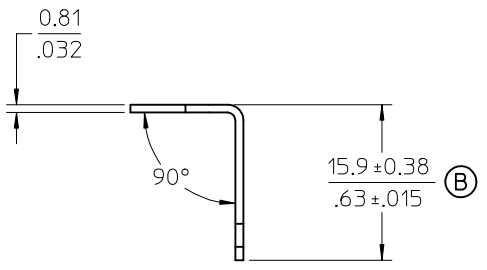
- NOTES:
 1. MATERIAL: SEE TABLE
 2. FINISHES: SEE TABLE
 (B) 3. PART IS ROHS COMPLIANT.

CHANGE DIM/ADD NOTES EC NO: ETC2007-0438 DRWN: CLYORK 2007/07/12 CHKD: JMACNEIL 2007/07/12 APPR: JMACNEIL 2007/07/13	QUALITY SYMBOLS ▽ = 0 ∇ = 0	GENERAL TOLERANCES (UNLESS SPECIFIED)		SCALE 2:1	DESIGN UNITS INCH	THIRD ANGLE PROJECTION	REVISE ON CAD ONLY	
		4 PLACES ± --- ± ---	3 PLACES ± --- ± .005	DIMENSION STYLE MM/IN		TITLE TERMINAL, SOLDER, Y SHORT, CAT. # 143		
		2 PLACES ± 0.13 ± .01	1 PLACE ± 0.3 ± ---	DRAWN BY R.STONE	DATE 08-18-03	MOLEX INCORPORATED		
		ANGULAR ±1/2°		CHECKED BY RK	DATE 2-5-04	MATERIAL NO. 380020159	DOCUMENT NO. SD-38002-005	SHEET NO. 1 OF 1
DRAFT WHERE APPLICABLE MUST REMAIN WITHIN DIMENSIONS		APPROVED BY GHR	DATE 2-26-04	THIS DRAWING CONTAINS INFORMATION THAT IS PROPRIETARY TO MOLEX INCORPORATED AND SHOULD NOT BE USED WITHOUT WRITTEN PERMISSION				

1	1	TERMINAL	BRASS	TIN PLATED
ITEM	QTY.	DESCRIPTION	MATERIAL	FINISH



AUX.VIEW
SCALE:2X



- NOTES:
 1. MATERIAL: SEE TABLE
 2. FINISHES: SEE TABLE
 (B) 3. PART IS ROHS COMPLIANT.

CHANGE DIM/ADD NOTES EC NO: ETC2007-0438 DRWN: CLYORK 2007/07/12 CHKD: JMACNEIL 2007/07/12 APPR: JMACNEIL 2007/07/13	QUALITY SYMBOLS ▽ = 0 ∇ = 0	GENERAL TOLERANCES (UNLESS SPECIFIED)		SCALE 2:1	DESIGN UNITS INCH	THIRD ANGLE PROJECTION	REVISE ON CAD ONLY		
				DIMENSION STYLE MM/IN		TITLE TERMINAL, SOLDER, Y SHORT, CAT. # 143			
				DRAWN BY R.STONE	DATE 08-18-03	MATERIAL NO. 380020159		DOCUMENT NO. SD-38002-005	SHEET NO. 1 OF 1
				DRAFT WHERE APPLICABLE MUST REMAIN WITHIN DIMENSIONS		CHECKED BY RK	DATE 2-5-04	MOLEX INCORPORATED	
				APPROVED BY GHR	DATE 2-26-04	THIS DRAWING CONTAINS INFORMATION THAT IS PROPRIETARY TO MOLEX INCORPORATED AND SHOULD NOT BE USED WITHOUT WRITTEN PERMISSION			

1	1	TERMINAL	BRASS	TIN PLATED
ITEM	QTY.	DESCRIPTION	MATERIAL	FINISH

X-ON Electronics

Largest Supplier of Electrical and Electronic Components

Click to view similar products for [Terminal Block Tools & Accessories](#) category:

Click to view products by [Molex](#) manufacturer:

Other Similar products are found below :

[00171430102](#) [00171420102](#) [600HL](#) [600RJ-07](#) [600RJ-11](#) [600RJ-14](#) [600RJS-10](#) [600RJS-12](#) [600RJS-15](#) [600RJS-21](#) [601RJ-09](#) [602SP](#) [602Z](#)
[604J](#) [CSTSPC1-2](#) [7B941-7](#) [88943-2100](#) [QC102](#) [1437403-6](#) [1437403-9](#) [1437403-8](#) [1453128-1](#) [147832-1](#) [EC0037-000](#) [MT2/H--](#) [MT6/H-N](#)
[MT6/V-GRND](#) [MT8/H-51-60](#) [BC2-12](#) [BCC-1-8/10](#) [EP2.5/4UN/BG](#) [1707755](#) [1735590](#) [1755480](#) [1789281](#) [1840227](#) [1840230](#) [2-1437402-1](#)
[JA2-03](#) [JB1-03/J](#) [JB2-04](#) [JB2-05](#) [JB2-07](#) [JB2-09/J](#) [PARALLELJUMPERLINK](#) [JS601](#) [2204082](#) [2302463](#) [2305949](#) [8PCV-BUSHING](#)