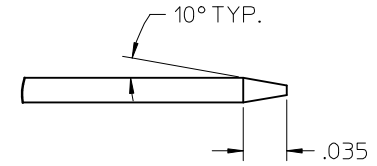
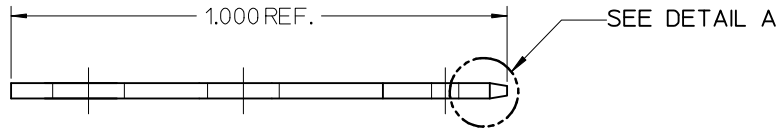
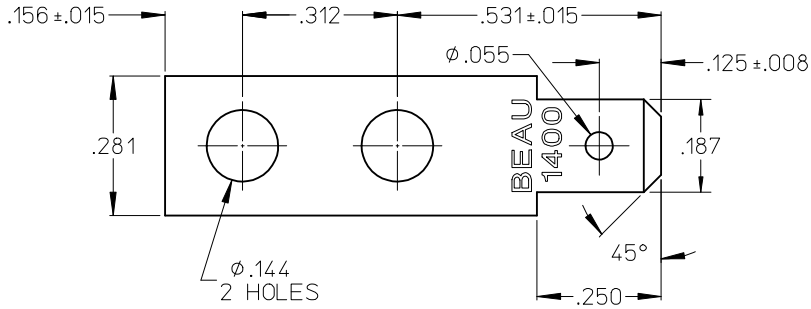


MATERIAL NO.	ENGINEERING NO.	DESCRIPTION	MATERIAL	FINISH
380020176	1413	TERMINAL, FAST-TAB, FLAT	BRASS	TIN OVER COPPER PLATED



DETAIL A
SCALE 10:1

NOTES:
1. PART IS ROHS COMPLIANT.

INITIAL RELEASE EC NO: WNA2009-0537 DRAWN: JENC INAS 2009/04/22 CHKD: CYORK 2009/05/11 APPR: JIMAGNE II 2009/05/12	QUALITY SYMBOLS	GENERAL TOLERANCES (UNLESS SPECIFIED)	DIMENSION STYLE	SCALE	DESIGN UNITS	THIRD ANGLE PROJECTION
	▼=0 ▽=0	mm INCH 4 PLACES ± --- ± --- 3 PLACES ± --- ± .005 2 PLACES ± --- ± .01 1 PLACE ± --- ± --- ANGULAR ± 2 °	INCH ONLY	4:1	INCH	☉ ▢ THIRD ANGLE PROJECTION
	DESCRIPTION	DRAFT WHERE APPLICABLE MUST REMAIN WITHIN DIMENSIONS	DRAWN BY DATE H. C. H. 1972/10/24 CHECKED BY DATE R. NEFF 1972/10/24 APPROVED BY DATE R. NEFF 1972/10/24	TITLE	TERMINAL, .187 FT, FL (CAT# 1413)	
	REV	SIZE	MATERIAL NO.	SEE CHART	DOCUMENT NO.	MOLEX INCORPORATED SD-38002-067

SHEET NO.
1 OF 1

X-ON Electronics

Largest Supplier of Electrical and Electronic Components

Click to view similar products for [Barrier Terminal Blocks](#) category:

Click to view products by [Molex](#) manufacturer:

Other Similar products are found below :

[CR151D20104](#) [670A-RZ-15-KT20](#) [6C1N03](#) [6PCR-02](#) [6PCR-02-008](#) [6PCR-05-008](#) [6PCR-08-008](#) [6PCR-09-008](#) [6PCR-13-006](#) [6PCR-15-006](#) [6PCR-21-006](#) [6PCV-06-008](#) [6PCV-06-716](#) [6PCV-09-001](#) [6PCV-10-009](#) [6PCV-15-008](#) [6PCV-17-1206](#) [6PCV-20-323](#) [6PCV-20-720](#) [6PCV-30-006](#) [6STR-06-006](#) [6STR-08-006](#) [6STR-12-008](#) [6STR-13-006](#) [6STR-14-008](#) [6STR-16-008](#) [6STR-17-008](#) [6STR-21-008](#) [6STR-25-008](#) [6STR-27-008](#) [6STV-03-006](#) [6STV-03-008](#) [6STV-04-006](#) [6STV-09-006](#) [6STV-10-006](#) [6WWR-03-693](#) [6WWV-12-008](#) [72212603](#) [72506-C](#) [72507-C-50](#) [73203](#) [75505-C](#) [75505-C-50](#) [75510-C](#) [77010-50](#) [7C1N08](#) [812-GP-3/4ST-09](#) [8-1437402-5](#) [8PCR-06-006](#) [8PCR-11-006](#)