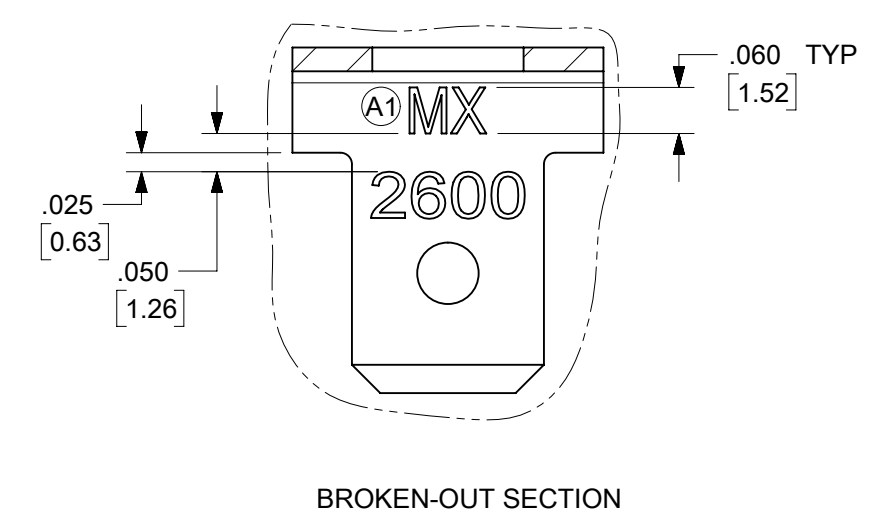
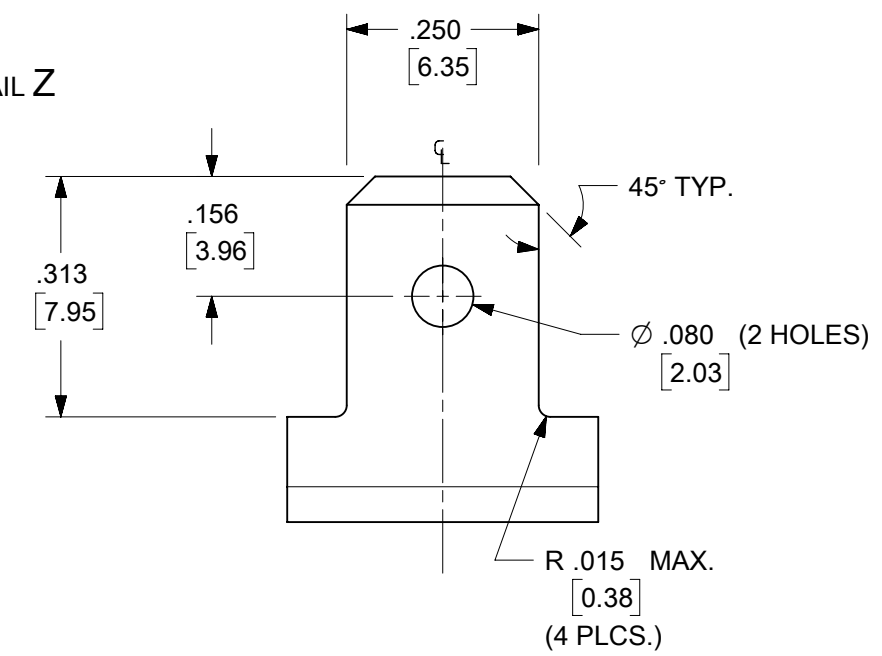
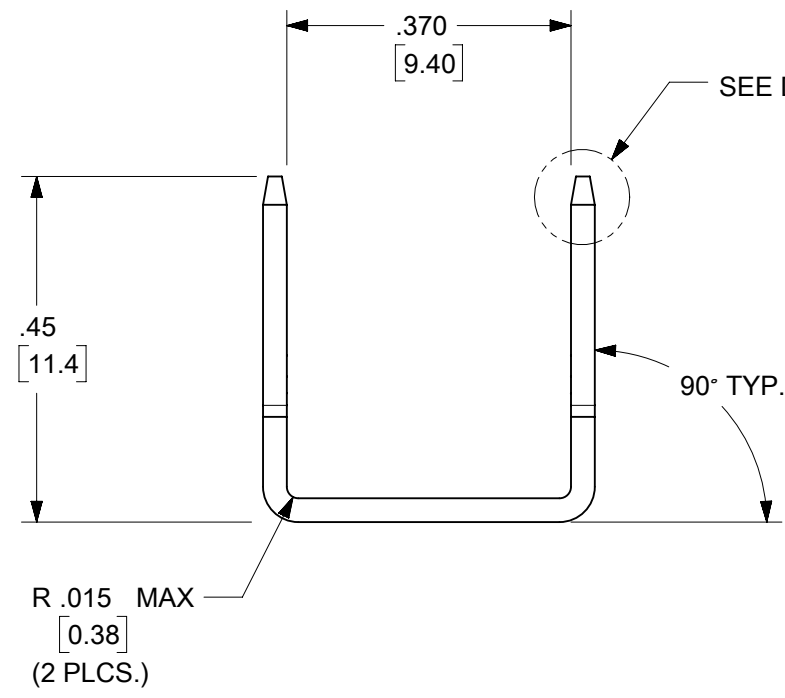
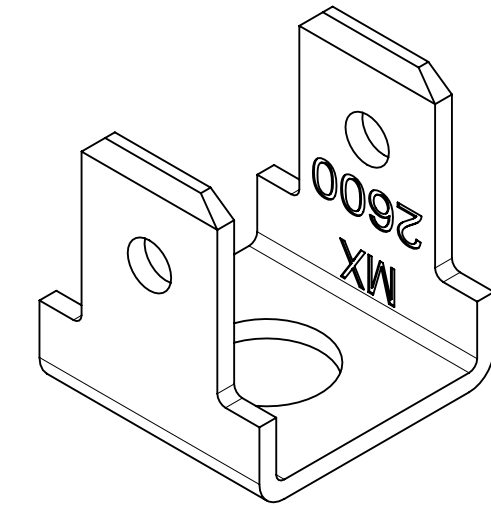
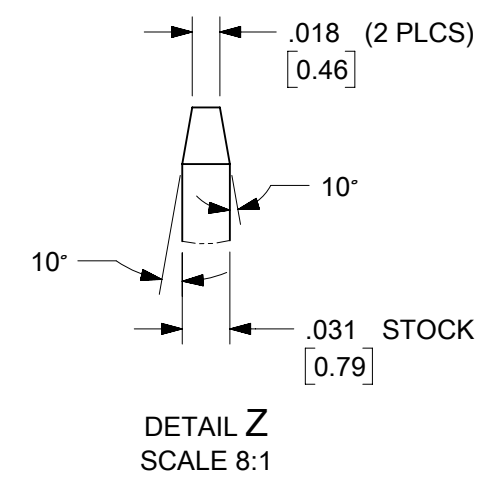
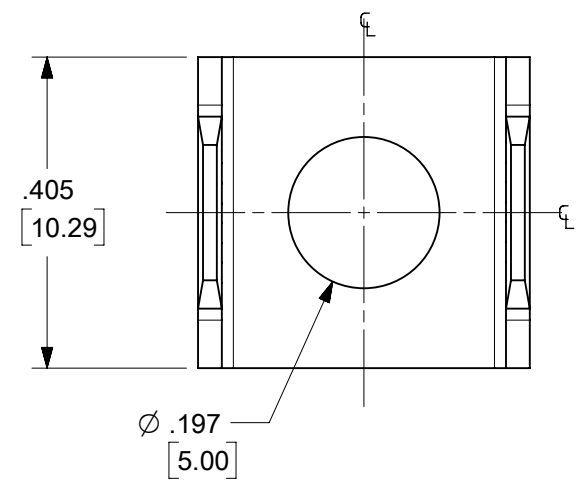


MATERIAL NO.	ENGINEERING NO.	DESCRIPTION	MATERIAL	FINISH
380020441	2612	TERMINAL, FAST TAB, VRVR	BRASS	TIN PLATE

NOTES:
 1. ALL DIM'S SHOWN ARE BEFORE PLATING.
 2. PART IS RoHS COMPLIANT.



THIS DRAWING CONTAINS INFORMATION THAT IS PROPRIETARY TO MOLEX ELECTRONIC TECHNOLOGIES, LLC AND SHOULD NOT BE USED WITHOUT WRITTEN PERMISSION									
DIMENSION UNITS in/[mm]		SCALE 4:1		CURRENT REV DESC: "MX" WAS "BEAU"				molex	
GENERAL TOLERANCES (UNLESS SPECIFIED)									
	MM		INCH					TERMINAL, FAST TAB, VRVR	
4 PLACES	±		± 0.0015	EC NO: 650468				PRODUCT CUSTOMER DRAWING	
3 PLACES	±	0.038	± 0.005	DRWN: RMV02 2020/11/13				DOCUMENT NUMBER	
2 PLACES	±	0.13	± 0.01	CHK'D: DMYRICK 2020/12/04				SD-38002-0441	
1 PLACE	±	0.3	±	APPR: EJOHNSON04 2020/12/18				DOC TYPE	
0 PLACES	±		±	INITIAL REVISION:				PSD	
ANGULAR TOL		± 2.0°		DRWN: DRWN BY 0099/99/99				DOC PART	
				APPR: APPR BY 0099/99/99				001	
DRAFT WHERE APPLICABLE MUST REMAIN WITHIN DIMENSIONS		THIRD ANGLE PROJECTION		DRAWING		SERIES		REVISION	
				B-SIZE		38002		A1	
				MATERIAL NUMBER		CUSTOMER		SHEET NUMBER	
				SEE TABLE		GENERAL MARKET		1 OF 1	

DOCUMENT STATUS	P1	RELEASE DATE	2020/12/18 14:47:48
-----------------	----	--------------	---------------------

X-ON Electronics

Largest Supplier of Electrical and Electronic Components

Click to view similar products for [Terminal Block Tools & Accessories](#) category:

Click to view products by [Molex](#) manufacturer:

Other Similar products are found below :

[00171430102](#) [00171420102](#) [600HL](#) [600RJ-07](#) [600RJ-11](#) [600RJ-14](#) [600RJS-10](#) [600RJS-12](#) [600RJS-15](#) [600RJS-21](#) [601RJ-09](#) [602SP](#) [602Z](#)
[604J](#) [CSTSPC1-2](#) [7B941-7](#) [88943-2100](#) [QC102](#) [1437403-6](#) [1437403-9](#) [1437403-8](#) [1453128-1](#) [147832-1](#) [EC0037-000](#) [MT2/H--](#) [MT6/H-N](#)
[MT6/V-GRND](#) [MT8/H-51-60](#) [BC2-12](#) [BCC-1-8/10](#) [EP2.5/4UN/BG](#) [1707755](#) [1735590](#) [1755480](#) [1789281](#) [1840227](#) [1840230](#) [2-1437402-1](#)
[JA2-03](#) [JB1-03/J](#) [JB2-04](#) [JB2-05](#) [JB2-07](#) [JB2-09/J](#) [PARALLELJUMPERLINK](#) [JS601](#) [2204082](#) [2302463](#) [2305949](#) [8PCV-BUSHING](#)