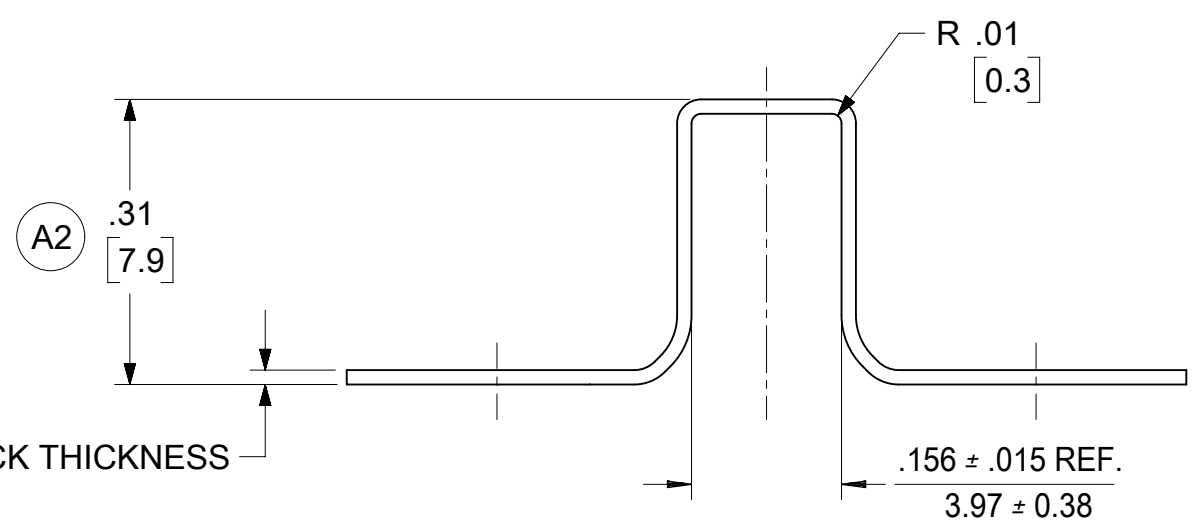
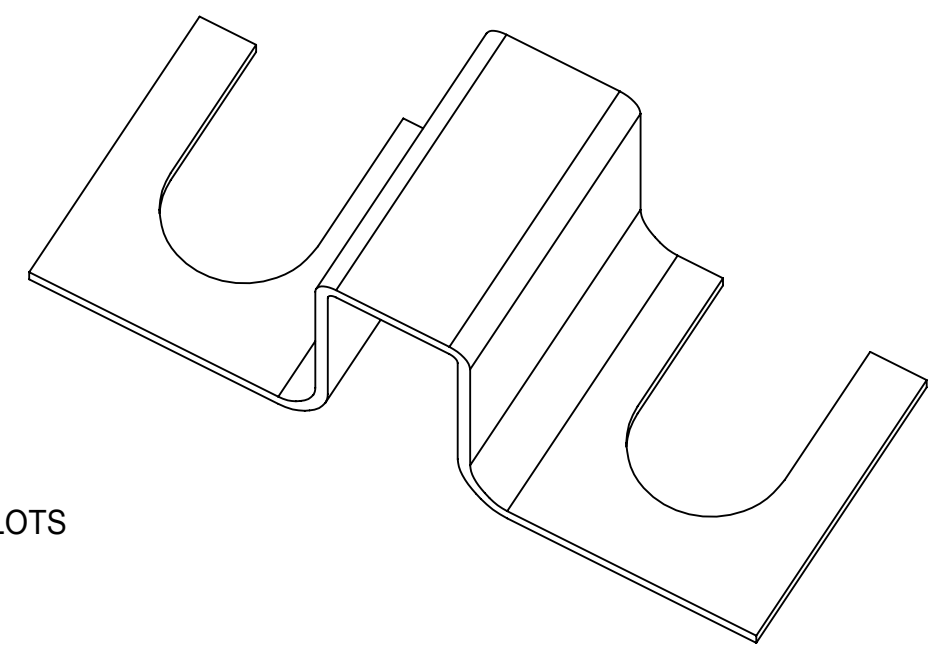
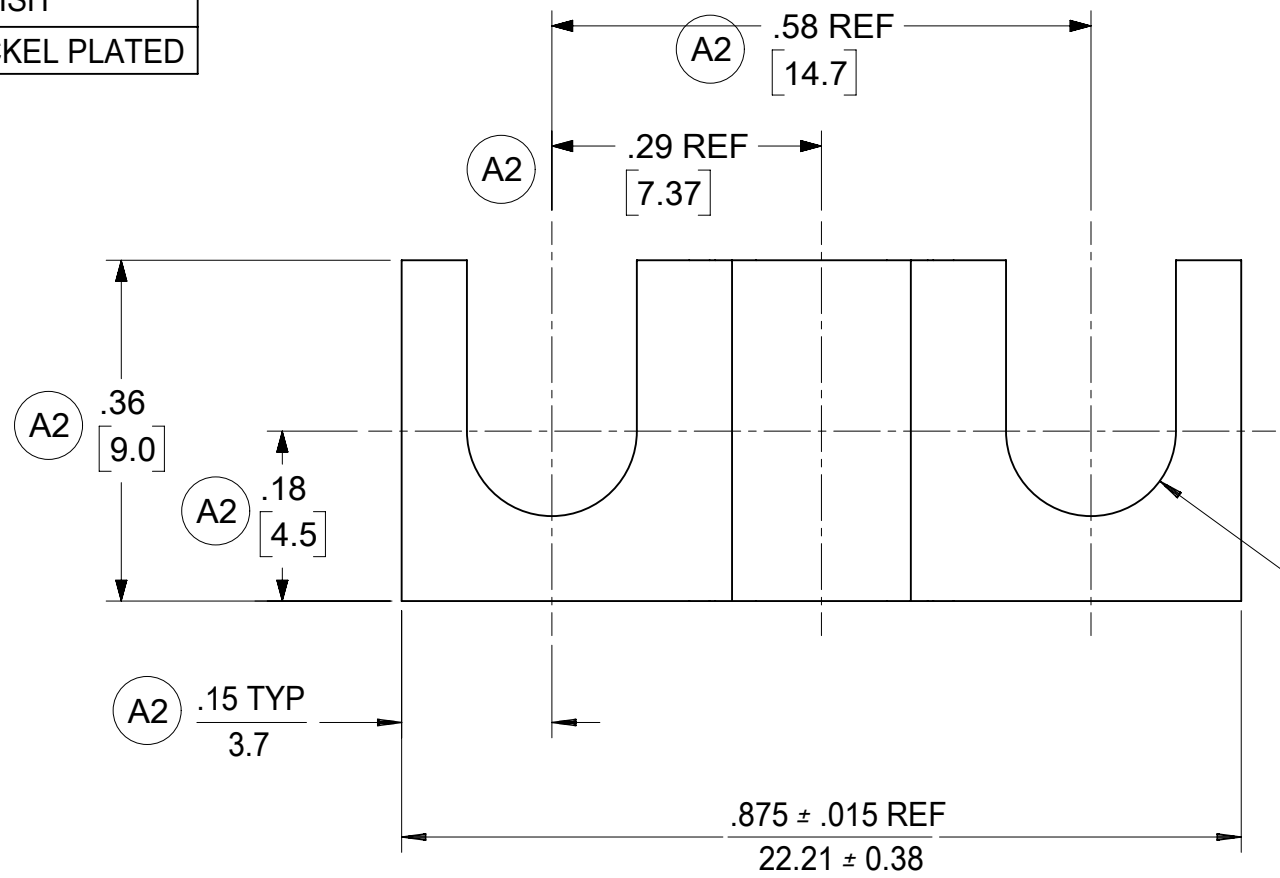


10	9	8	7	6	5	4	3	2	1	
MATERIAL NO.	ENG. NO.	MATERIAL	FINISH							
380020442	2132	BRASS	NICKEL PLATED							



- NOTE(S):
1. MATERIAL: SEE TABLE
 2. FINISHES: SEE TABLE
 3. PRODUCT SPECIFICATION: NOT REQUIRED
 4. PACKAGING: NOT REQUIRED
 5. MATES WITH: 21, 22, AND 26 SERIES BTS

THIS DRAWING CONTAINS INFORMATION THAT IS PROPRIETARY TO MOLEX ELECTRONIC TECHNOLOGIES, LLC AND SHOULD NOT BE USED WITHOUT WRITTEN PERMISSION									
FUNCTIONAL SYMBOLS	DIMENSION UNITS	SCALE	CURRENT REV DESC: DIM'S UPDATED .58 REF WAS .562 REF.						
	INCH/MM	5:1	molex JUMPER TERMINAL, SLOTTED TYPE PRODUCT CUSTOMER DRAWING						
GENERAL TOLERANCES (UNLESS SPECIFIED)		EC NO: 640979							
FA = 0	4 PLACES ±	MM	INCH	CHK'D: JMACNEIL		2020/07/07			
FE = 0	3 PLACES ±	± 0.005		APPR: JMACNEIL		2020/07/07			
FD = 0	2 PLACES ±	0.13 ± 0.01		INITIAL REVISION:		DOCUMENT NUMBER			
DIVISIONAL SYMBOLS	1 PLACE ±	0.3 ±		DRWN: CYORK		SD-38002-036			
	0 PLACES ±			APPR: GROBERTS		PSD 001 A2			
	ANGULAR TOL ±	2.0 °		2004/03/17		REVISION			
				2004/03/18		A2			
DRAFT WHERE APPLICABLE MUST REMAIN WITHIN DIMENSIONS			THIRD ANGLE PROJECTION	DRAWING	SERIES	MATERIAL NUMBER	CUSTOMER	SHEET NUMBER	
				B-SIZE	38002	SEE CHART	GENERAL MARKET	1 OF 1	

X-ON Electronics

Largest Supplier of Electrical and Electronic Components

Click to view similar products for [Terminal Block Tools & Accessories](#) category:

Click to view products by [Molex](#) manufacturer:

Other Similar products are found below :

[00171430102](#) [00171420102](#) [600HL](#) [600RJ-07](#) [600RJ-11](#) [600RJ-14](#) [600RJS-10](#) [600RJS-12](#) [600RJS-15](#) [600RJS-21](#) [601RJ-09](#) [602SP](#) [602Z](#)
[604J](#) [CSTSPC1-2](#) [7B941-7](#) [88943-2100](#) [QC102](#) [1437403-6](#) [1437403-9](#) [1437403-8](#) [1453128-1](#) [147832-1](#) [EC0037-000](#) [MT2/H--](#) [MT6/H-N](#)
[MT6/V-GRND](#) [MT8/H-51-60](#) [BC2-12](#) [BCC-1-8/10](#) [EP2.5/4UN/BG](#) [1707755](#) [1735590](#) [1755480](#) [1789281](#) [1840227](#) [1840230](#) [2-1437402-1](#)
[JA2-03](#) [JB1-03/J](#) [JB2-04](#) [JB2-05](#) [JB2-07](#) [JB2-09/J](#) [PARALLELJUMPERLINK](#) [JS601](#) [2204082](#) [2302463](#) [2305949](#) [8PCV-BUSHING](#)