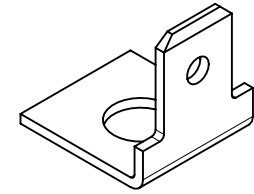
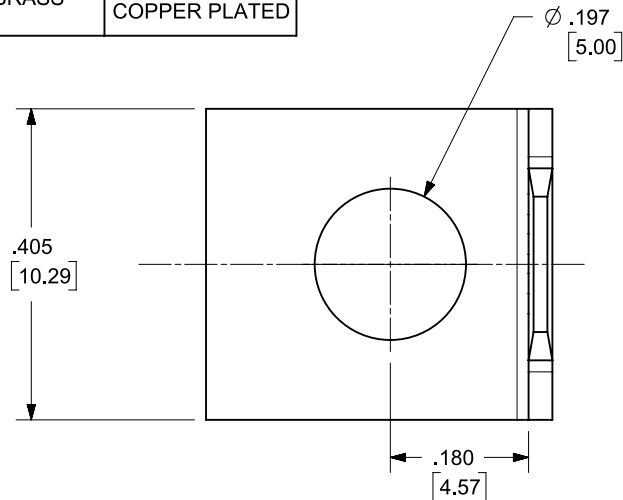
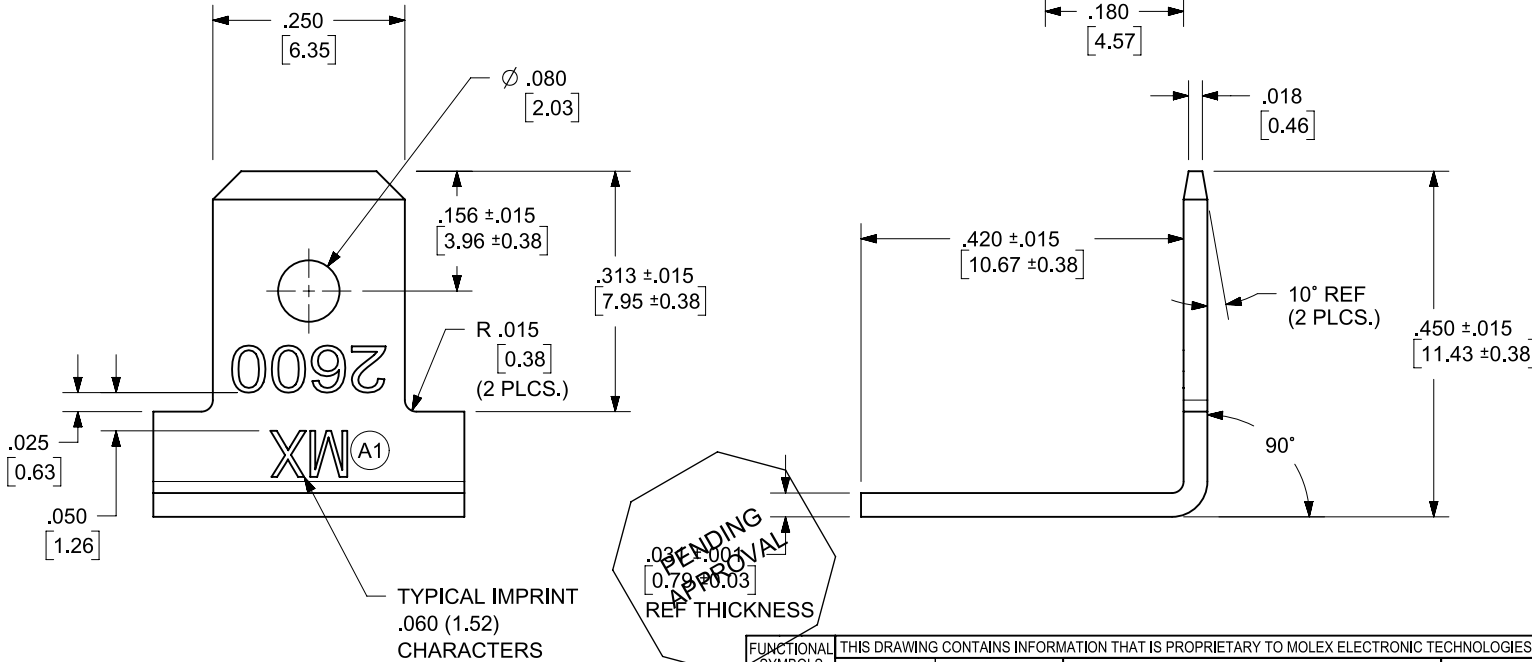


6	5	4	3	2	1
MATERIAL NO.	ENGINEERING NO.	DESCRIPTION	MATERIAL	FINISH	
380020455	2615	TERMINAL, .250 FT, SLVR,	BRASS	TIN OVER COPPER PLATED	

NOTES:
 1. ALL DIM'S SHOWN ARE BEFORE PLATING.
 2. PART IS RoHS COMPLIANT.



AUXILLARY VIEW
SCALE 2:1



PENDING APPROVAL
 REF THICKNESS

TYPICAL IMPRINT
 .060 (1.52)
 CHARACTERS

FUNCTIONAL SYMBOLS $\overline{F_A} = 0$ $\overline{F_B} = 0$ $\overline{F_P} = 0$	THIS DRAWING CONTAINS INFORMATION THAT IS PROPRIETARY TO MOLEX ELECTRONIC TECHNOLOGIES, LLC AND SHOULD NOT BE USED WITHOUT WRITTEN PERMISSION		CURRENT REV DESC: "MX" WAS "BEAU"	
	DIMENSION UNITS	SCALE		
	in/[mm]	4:1		
	GENERAL TOLERANCES (UNLESS SPECIFIED)			
DIVISIONAL SYMBOLS		MM	INCH	
	4 PLACES ±	±	±	
	3 PLACES ±	± 0.005		
	2 PLACES ±	0.13	± 0.01	
	1 PLACE ±	0.3	±	
	0 PLACES ±	±		
	ANGULAR TOL	± 2.0°		
DRAFT WHERE APPLICABLE MUST REMAIN WITHIN DIMENSIONS		THIRD ANGLE PROJECTION	DRAWING	SERIES
			A-SIZE	38002
DOCUMENT STATUS		RQ	RELEASE DATE	

molex

TERMINAL, .250 FT, SLVR,
CAT# 2615

PRODUCT CUSTOMER DRAWING

DOCUMENT NUMBER	DOC TYPE	DOC PART	REVISION
SD-38002-063	PSD	001	A1

MATERIAL NUMBER	CUSTOMER	SHEET NUMBER
SEE TABLE	GENERAL MARKET	1 OF 1

X-ON Electronics

Largest Supplier of Electrical and Electronic Components

Click to view similar products for [Terminal Block Tools & Accessories](#) category:

Click to view products by [Molex](#) manufacturer:

Other Similar products are found below :

[00171430102](#) [00171420102](#) [600HL](#) [600RJ-07](#) [600RJ-11](#) [600RJ-14](#) [600RJS-10](#) [600RJS-12](#) [600RJS-15](#) [600RJS-21](#) [601RJ-09](#) [602SP](#) [602Z](#)
[604J](#) [CSTSPC1-2](#) [7B941-7](#) [88943-2100](#) [QC102](#) [1437403-6](#) [1437403-9](#) [1437403-8](#) [1453128-1](#) [147832-1](#) [EC0037-000](#) [MT2/H--](#) [MT6/H-N](#)
[MT6/V-GRND](#) [MT8/H-51-60](#) [BC2-12](#) [BCC-1-8/10](#) [EP2.5/4UN/BG](#) [1707755](#) [1735590](#) [1755480](#) [1789281](#) [1840227](#) [1840230](#) [2-1437402-1](#)
[JA2-03](#) [JB1-03/J](#) [JB2-04](#) [JB2-05](#) [JB2-07](#) [JB2-09/J](#) [PARALLELJUMPERLINK](#) [JS601](#) [2204082](#) [2302463](#) [2305949](#) [8PCV-BUSHING](#)