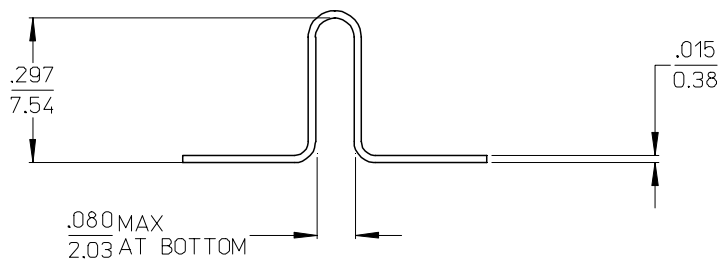
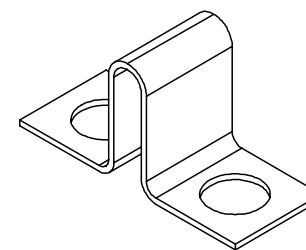
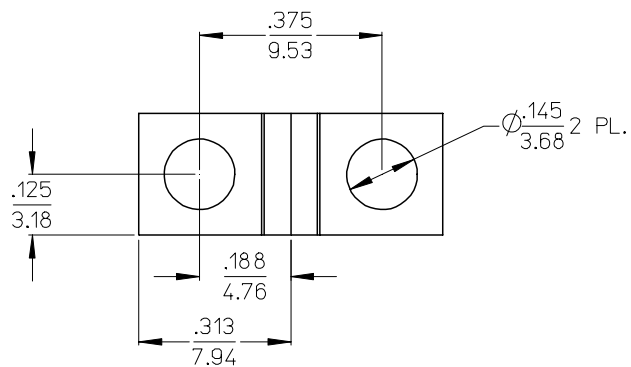


10 9 8 7 6 5 4 3 2 1

F
E
D
C
B
A



NOTES:

1. MATERIAL: BRASS (.015/0.38 THICK)
2. FINISH: SEE TABLE
3. ALL DIMENSIONS ARE IN INCHES/MM

B	380021226	7231	BRASS	NICKEL PLATE
	380021225	7204-1401-A110	BRASS	PLAIN (UNPLATED)
	MATERIAL NO.	ENGINEERING NO.	MATERIAL	FINISH

ADD MATERIAL NO. EC NO: ETC2006-0270 DRWN: CYORK 2006/02/27 CHKD: RDEROSS 2006/02/27 APPR: RDEROSS 2006/02/28	DESCRIPTION JUMPER TERMINAL HOLE TYPE	QUALITY SYMBOLS ▽=0 ▽=0	GENERAL TOLERANCES (UNLESS SPECIFIED)		DIMENSION STYLE	SCALE	DESIGN UNITS	THIRD ANGLE PROJECTION
					IN/MM	4:1	INCH	
			4 PLACES ± --- ±.0015	DRAWN BY	DATE	TITLE		
			3 PLACES ±0.038 ±.005	ASAYDEH	06/02/06	JUMPER TERMINAL HOLE TYPE		
2 PLACES ±0.13 ±.01	CHECKED BY	DATE	MOLEX INCORPORATED					
1 PLACE ±0.3 ±.1	JLOMASTRO	06/02/06	SD-38002-038					
ANGULAR ±1/2°	APPROVED BY	DATE	SHEET NO.					
	RDEROSS	06/02/06	1 OF 1					
DRAFT WHERE APPLICABLE MUST REMAIN WITHIN DIMENSIONS		MATERIAL NO.	DOCUMENT NO.					
		SEE CHART						
		SIZE B	THIS DRAWING CONTAINS INFORMATION THAT IS PROPRIETARY TO MOLEX INCORPORATED AND SHOULD NOT BE USED WITHOUT WRITTEN PERMISSION					

9 8 7 6 5 4 3 2 1

X-ON Electronics

Largest Supplier of Electrical and Electronic Components

Click to view similar products for [Terminal Block Tools & Accessories](#) category:

Click to view products by [Molex](#) manufacturer:

Other Similar products are found below :

[00171430102](#) [00171420102](#) [600HL](#) [600RJ-07](#) [600RJ-11](#) [600RJ-14](#) [600RJS-10](#) [600RJS-12](#) [600RJS-15](#) [600RJS-21](#) [601RJ-09](#) [602SP](#) [602Z](#)
[604J](#) [CSTSPC1-2](#) [7B941-7](#) [88943-2100](#) [QC102](#) [1437403-6](#) [1437403-9](#) [1437403-8](#) [1453128-1](#) [147832-1](#) [EC0037-000](#) [MT2/H--](#) [MT6/H-N](#)
[MT6/V-GRND](#) [MT8/H-51-60](#) [BC2-12](#) [BCC-1-8/10](#) [EP2.5/4UN/BG](#) [1707755](#) [1735590](#) [1755480](#) [1789281](#) [1840227](#) [1840230](#) [2-1437402-1](#)
[JA2-03](#) [JB1-03/J](#) [JB2-04](#) [JB2-05](#) [JB2-07](#) [JB2-09/J](#) [PARALLELJUMPERLINK](#) [JS601](#) [2204082](#) [2302463](#) [2305949](#) [8PCV-BUSHING](#)