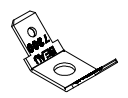
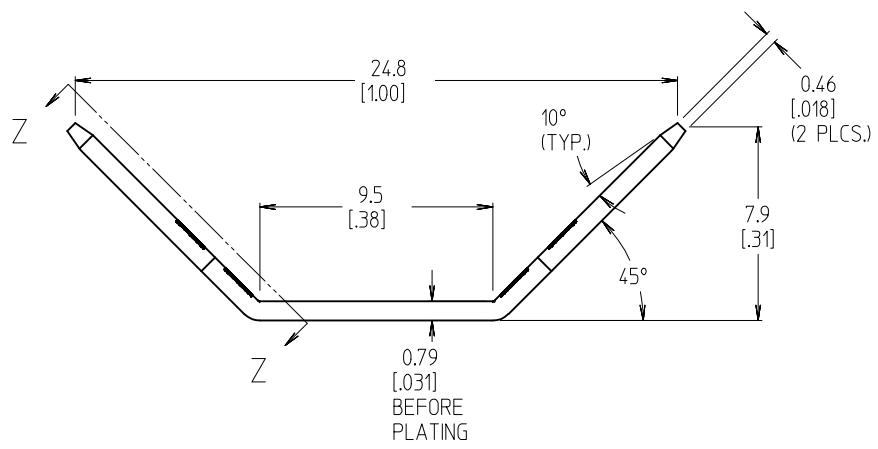
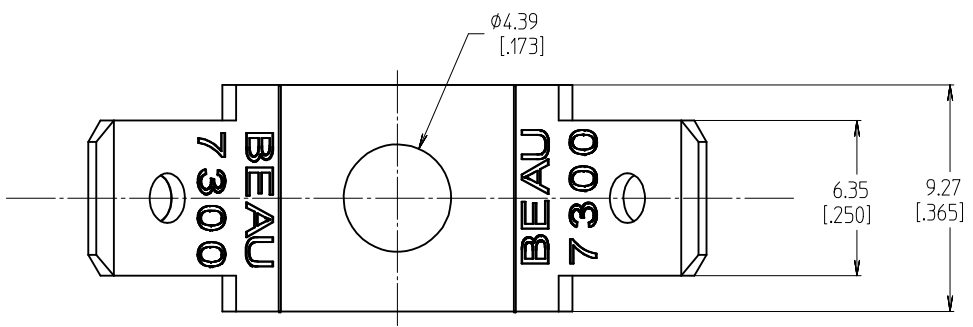
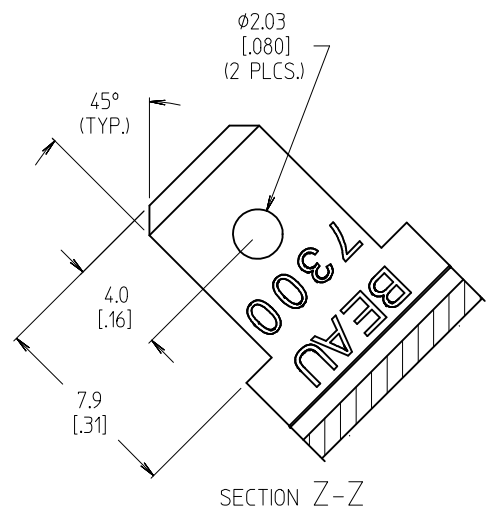


10 9 8 7 6 5 4 3 2 1



- NOTES:
1. MATERIAL: BRASS
 2. FINISH: TIN PLATE
 3. INCH DIMENSIONS SHOWN IN BRACKETS [XXX].
 4. PART IS ROHS COMPLIANT.

INITIAL RELEASE EC NO: WNAZ009-0043 DRW:CLYORK 2008/09/22 CHKD:RDEROSS 2008/09/22 APPR:RDEROSS 2008/09/23	QUALITY SYMBOLS ▽=0 ▽=0	GENERAL TOLERANCES (UNLESS SPECIFIED)		DIMENSION STYLE MM/IN		SCALE 1:1	DESIGN UNITS INCH	THIRD ANGLE PROJECTION			
		4 PLACES ± --- ± .0015	3 PLACES ± 0.038 ± .005	2 PLACES ± 0.13 ± .01	1 PLACE ± 0.3 ± ---	ANGULAR ± 2 °	DRAWN BY C. YORK	DATE 2006/03/29	TITLE TERMINAL, FT, SL SL, CATALOG# 7311		
		DRAFT WHERE APPLICABLE MUST REMAIN WITHIN DIMENSIONS					CHECKED BY R. DEROSS	DATE 2006/03/29	APPROVED BY R. DEROSS		
		MATERIAL NO. 380021335		DOCUMENT NO. SD-38002-044		SHEET NO. 1 OF 1		MOLEX INCORPORATED			
THIS DRAWING CONTAINS INFORMATION THAT IS PROPRIETARY TO MOLEX INCORPORATED AND SHOULD NOT BE USED WITHOUT WRITTEN PERMISSION											

9 8 7 6 5 4 3 2 1

X-ON Electronics

Largest Supplier of Electrical and Electronic Components

Click to view similar products for [Terminal Block Tools & Accessories](#) category:

Click to view products by [Molex](#) manufacturer:

Other Similar products are found below :

[00171430102](#) [00171420102](#) [600HL](#) [600RJ-07](#) [600RJ-11](#) [600RJ-14](#) [600RJS-10](#) [600RJS-12](#) [600RJS-15](#) [600RJS-21](#) [601RJ-09](#) [602SP](#) [602Z](#)
[604J](#) [CSTSPC1-2](#) [7B941-7](#) [88943-2100](#) [QC102](#) [1437403-6](#) [1437403-9](#) [1437403-8](#) [1453128-1](#) [147832-1](#) [EC0037-000](#) [MT2/H--](#) [MT6/H-N](#)
[MT6/V-GRND](#) [MT8/H-51-60](#) [BC2-12](#) [BCC-1-8/10](#) [EP2.5/4UN/BG](#) [1707755](#) [1735590](#) [1755480](#) [1789281](#) [1840227](#) [1840230](#) [2-1437402-1](#)
[JA2-03](#) [JB1-03/J](#) [JB2-04](#) [JB2-05](#) [JB2-07](#) [JB2-09/J](#) [PARALLELJUMPERLINK](#) [JS601](#) [2204082](#) [2302463](#) [2305949](#) [8PCV-BUSHING](#)