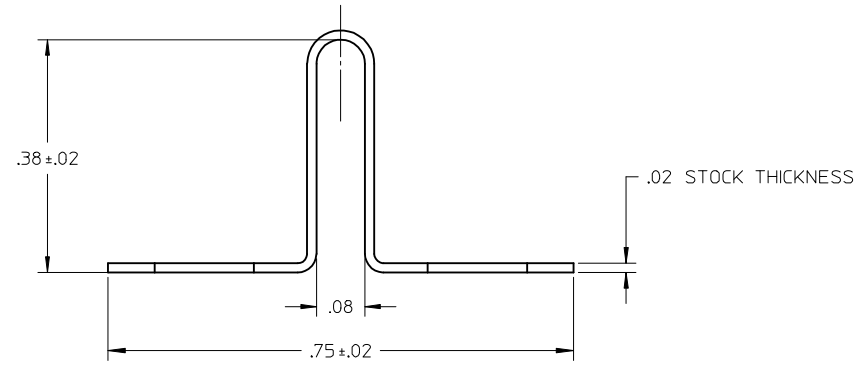
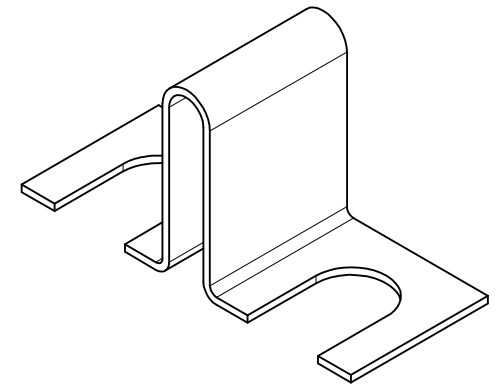
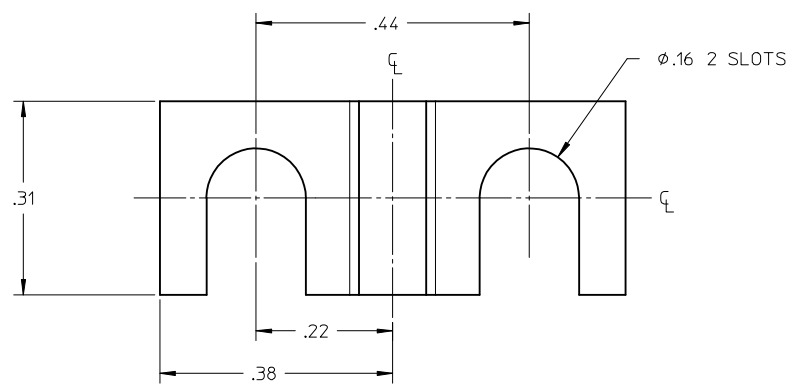


MATERIAL NO.	ENGINEERING NO.	DESCRIPTION	MATERIAL	FINISH
380021352	7332	JUMPER, TERMINAL SLOT TYPE	BRASS	NICKEL PLATE



RELEASED EC NO: IFC2016-0008 DRWN: SVMURTHY 2015/06/29 CHKD: RSTONE 2015/06/29 APPR: JFMURPHY 2016/07/11	DESCRIPTION A	QUALITY SYMBOLS	GENERAL TOLERANCES (UNLESS SPECIFIED)	DIMENSION STYLE INCH ONLY		SCALE 5:1	DESIGN UNITS INCH	THIRD ANGLE PROJECTION	
		▽=0	mm INCH	DRAWN BY	DATE	TITLE JUMPER, TERMINAL SLOT TYPE			
		▽=0	4 PLACES ± --- ± ---	SVMURTHY	2015/06/29				
		▽=0	3 PLACES ± --- ± .005	CHECKED BY	DATE	DOCUMENT NO. SD-38002-1352			
▽=0	2 PLACES ± 0.13 ± .01	RSTONE	2015/06/29						
		1 PLACE ± 0.3 ± ---	APPROVED BY	DATE	SHEET NO. 1 OF 1				
		0 PLACE ± --- ± ---	JFMURPHY	2016/07/11					
			ANGULAR ± 2 °	MATERIAL NO. SEE CHART		THIS DRAWING CONTAINS INFORMATION THAT IS PROPRIETARY TO MOLEX INCORPORATED AND SHOULD NOT BE USED WITHOUT WRITTEN PERMISSION			
			DRAFT WHERE APPLICABLE MUST REMAIN WITHIN DIMENSIONS	SIZE B					

X-ON Electronics

Largest Supplier of Electrical and Electronic Components

Click to view similar products for [Terminal Block Tools & Accessories](#) category:

Click to view products by [Molex](#) manufacturer:

Other Similar products are found below :

[00171430102](#) [00171420102](#) [600HL](#) [600RJ-07](#) [600RJ-11](#) [600RJ-14](#) [600RJS-10](#) [600RJS-12](#) [600RJS-15](#) [600RJS-21](#) [601RJ-09](#) [602SP](#) [602Z](#)
[604J](#) [CSTSPC1-2](#) [7B941-7](#) [88943-2100](#) [QC102](#) [1437403-6](#) [1437403-9](#) [1437403-8](#) [1453128-1](#) [147832-1](#) [EC0037-000](#) [MT2/H--](#) [MT6/H-N](#)
[MT6/V-GRND](#) [MT8/H-51-60](#) [BC2-12](#) [BCC-1-8/10](#) [EP2.5/4UN/BG](#) [1707755](#) [1735590](#) [1755480](#) [1789281](#) [1840227](#) [1840230](#) [2-1437402-1](#)
[JA2-03](#) [JB1-03/J](#) [JB2-04](#) [JB2-05](#) [JB2-07](#) [JB2-09/J](#) [PARALLELJUMPERLINK](#) [JS601](#) [2204082](#) [2302463](#) [2305949](#) [8PCV-BUSHING](#)