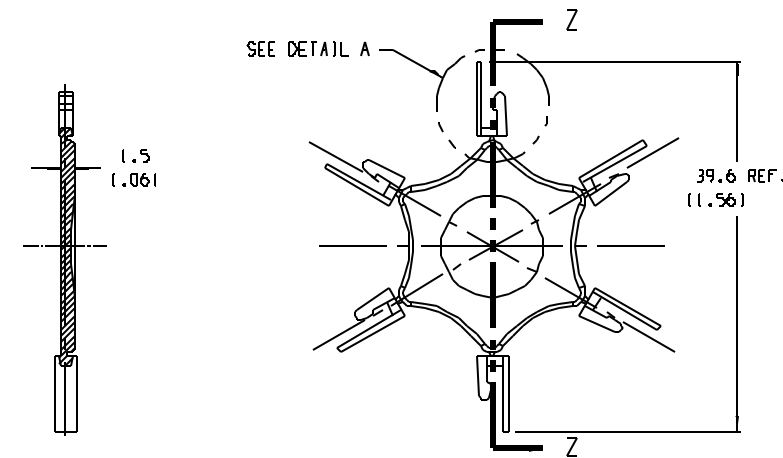
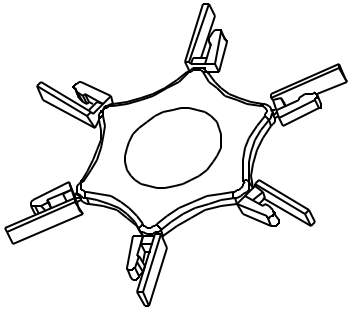


10 9 8 7 6 5 4 3 2

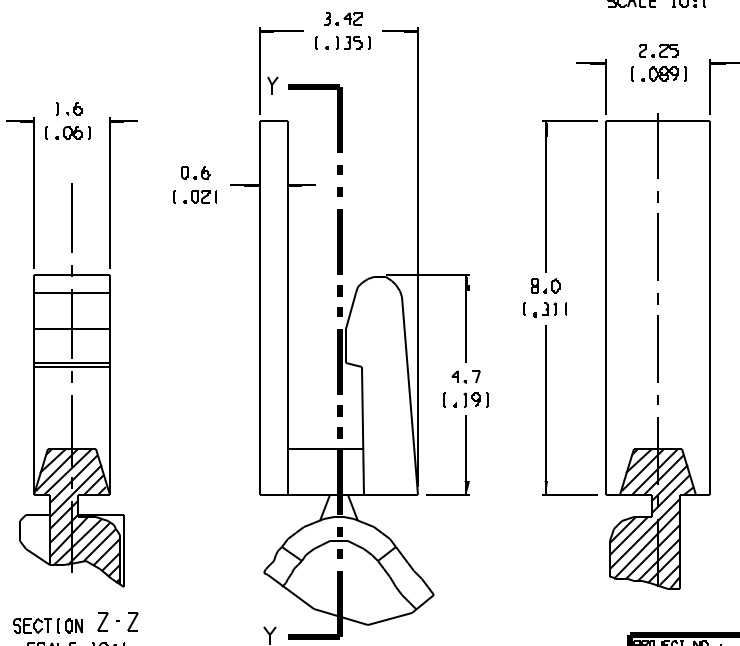
F
E
D
C
B
A



SECTION Z-Z



DETAIL A
SCALE 10:1



SECTION Z-Z
SCALE 10:1

- NOTES:
1. MATERIAL: SEE TABLE
 2. FINISHES: SEE TABLE
 3. PRODUCT SPECIFICATION: NOT REQUIRED
 4. PACKAGING: NOT REQUIRED
 5. MATES WITH: NONE

HEADER CODING PIN	THERMOPLASTIC	RED
DESCRIPTION	MATERIAL	FINISH

EC NO. RELEASED DRWN: CLY CHK: APPR:	DESCRIPTION MAJOR CRITICAL SPEC S	GENERAL TOLERANCES (UNLESS SPECIFIED) mm inch		SCALE 2:1 DRAWN BY & DATE C. YORK 03-04-04	DESIGN UNITS <input type="checkbox"/> mm <input checked="" type="checkbox"/> INCH	THIRD ANGLE PROJECTION <input checked="" type="checkbox"/> 1st ANGLE <input type="checkbox"/> 2nd ANGLE <input type="checkbox"/> 3rd ANGLE <input type="checkbox"/> 4th ANGLE	PROJECT NO. - - - DIMENSIONS: <input checked="" type="checkbox"/> DIM INCH <input type="checkbox"/> DIM MM <input type="checkbox"/> DIM ONLY	SHEET REV 1 OF 1
		4 PLACES ±.0015 3 PLACES ±.038 ±.005 2 PLACES ±.13 ±.01 1 PLACE ±.3	ANGLE: ±2° DRAFT WHERE APPLICABLE MUST REMAIN WITHIN DIMENSIONS	APPROVED BY & DATE	CAP FILENAME SD-38002-014	TITLE: HEADER CODING PINS, 42 AND 86 SERIES POLARIZED HEADERS	MOLEX INCORPORATED	MATERIAL NO. 38002-1700 DRAWING NO. SD-38002-014

THIS DRAWING CONTAINS INFORMATION THAT IS PROPRIETARY TO MOLEX INCORPORATED AND SHOULD NOT BE USED WITHOUT WRITTEN PERMISSION.

10 9 8 7 6 5 4 3 2 1

X-ON Electronics

Largest Supplier of Electrical and Electronic Components

Click to view similar products for [Terminal Block Tools & Accessories](#) category:

Click to view products by [Molex](#) manufacturer:

Other Similar products are found below :

[00171430102](#) [00171420102](#) [600HL](#) [600RJ-07](#) [600RJ-11](#) [600RJ-14](#) [600RJS-10](#) [600RJS-12](#) [600RJS-15](#) [600RJS-21](#) [601RJ-09](#) [602SP](#) [602Z](#)
[604J](#) [CSTSPC1-2](#) [7B941-7](#) [88943-2100](#) [QC102](#) [1437403-6](#) [1437403-9](#) [1437403-8](#) [1453128-1](#) [147832-1](#) [EC0037-000](#) [MT2/H--](#) [MT6/H-N](#)
[MT6/V-GRND](#) [MT8/H-51-60](#) [BC2-12](#) [BCC-1-8/10](#) [EP2.5/4UN/BG](#) [1707755](#) [1735590](#) [1755480](#) [1789281](#) [1840227](#) [1840230](#) [2-1437402-1](#)
[JA2-03](#) [JB1-03/J](#) [JB2-04](#) [JB2-05](#) [JB2-07](#) [JB2-09/J](#) [PARALLELJUMPERLINK](#) [JS601](#) [2204082](#) [2302463](#) [2305949](#) [8PCV-BUSHING](#)