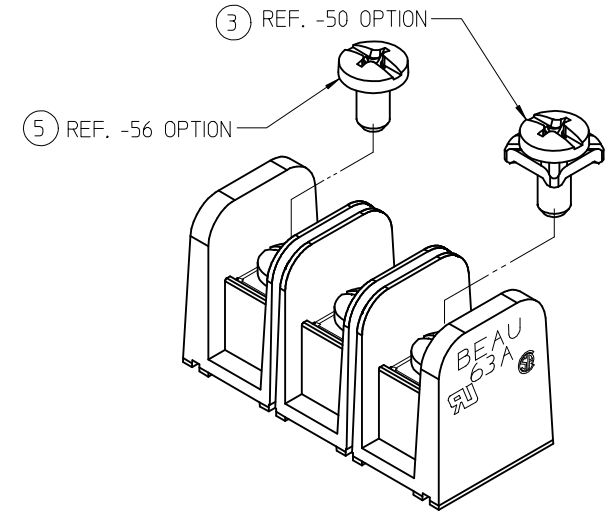
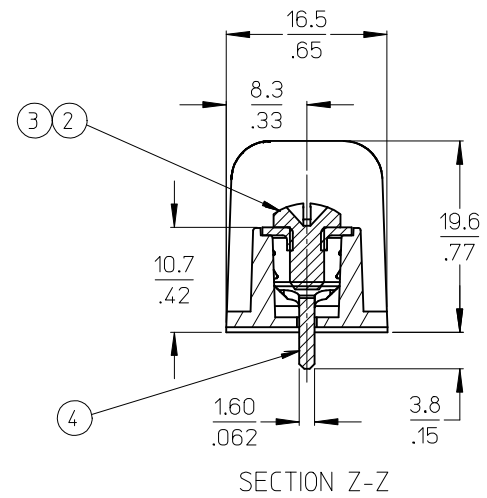
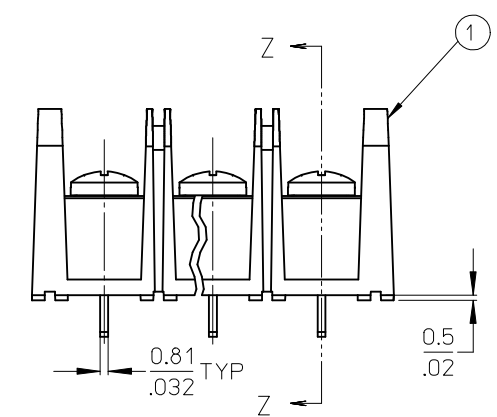


| MATERIAL NUMBER (STD.) | MATERIAL NUMBER (-56) | MATERIAL NUMBER (-50) | NO. OF CIRCUITS | A | B |
|------------------------|-----------------------|-----------------------|-----------------|--------------|----------------|
| 386306602 | 386390109 | 386307802 | 2 | 25.9 (1.02) | 11.13 (.438) |
| 386306603 | 386390110 | 386307803 | 3 | 37.1 (1.46) | 22.22 (.875) |
| 386306604 | 386390111 | 386307804 | 4 | 48.3 (1.90) | 33.35 (1.313) |
| 386306605 | 386390112 | 386307805 | 5 | 59.2 (2.33) | 44.45 (1.750) |
| 386306606 | 386390113 | 386307806 | 6 | 70.4 (2.77) | 55.57 (2.188) |
| 386306607 | 386390114 | 386307807 | 7 | 81.5 (3.21) | 66.67 (2.625) |
| 386306608 | 386390115 | 386307808 | 8 | 92.7 (3.65) | 77.80 (3.063) |
| 386306609 | 386390116 | 386307809 | 9 | 103.6 (4.08) | 88.90 (3.500) |
| 386306610 | 386390117 | 386307810 | 10 | 114.8 (4.52) | 100.03 (3.938) |
| 386306611 | 386390118 | 386307811 | 11 | 125.9 (4.96) | 111.13 (4.375) |
| 386306612 | 386390119 | 386307812 | 12 | 137.2 (5.40) | 122.25 (4.813) |
| 386306613 | 386390120 | 386307813 | 13 | 148.1 (5.83) | 133.35 (5.250) |
| 386306614 | 386390121 | 386307814 | 14 | 159.3 (6.27) | 144.45 (5.687) |
| 386306615 | 386390122 | 386307815 | 15 | 170.4 (6.71) | 155.58 (6.125) |
| 386306616 | 386390123 | 386307816 | 16 | 181.6 (7.15) | 166.70 (6.563) |



- NOTES:
1. MATERIAL: SEE TABLE
 2. FINISHES: SEE TABLE
 3. *XX* REFERS TO QTY. OF CIRCUITS.
 4. ASSEMBLY IS ROHS COMPLIANT.

| ITEM | QTY. | DESCRIPTION | MATERIAL | FINISH |
|------|------|---|-----------------|--------------------|
| 5 | XX | SCREW #6-32X.250 BHD, PH-SL STAINLESS (-56 OPT) | STAINLESS STL | PASSIVATE |
| 4 | XX | TERMINAL, PC (SHORT) | BRASS | TIN PLATE |
| 3 | XX | SCREW/WSHR #6-32X.250 PAN, PH-SL (-50) | STEEL | ZN, CLEAR CHROMATE |
| 2 | XX | SCREW #6-32X.250 BHD, PH-SL (STD) | STEEL | ZN, CLEAR CHROMATE |
| 1 | 1 | BARRIER TERMINAL STRIP | POLYESTER (PBT) | BLACK |

CHG SS SCREW DRIVE RECESS
 EC NO: IPG2013-0364
 DRAWN: CLYORK 2010/08/16
 CHKD: JMACNEIL 2012/09/12
 APPR: JMACNEIL 2012/11/05

QUALITY SYMBOLS
 ▽=0
 ▽=0

GENERAL TOLERANCES (UNLESS SPECIFIED)

| | mm | INCH |
|----------|--------|---------|
| 4 PLACES | ± .005 | ± .0005 |
| 3 PLACES | ± .01 | ± .001 |
| 2 PLACES | ± 0.13 | ± .01 |
| 1 PLACE | ± 0.3 | ± .0125 |

ANGULAR ± 2°

DRAFT WHERE APPLICABLE MUST REMAIN WITHIN DIMENSIONS

DIMENSION STYLE
MM/IN

SCALE
2:1

DESIGN UNITS
INCH

THIRD ANGLE PROJECTION

DRAWN BY: R. STONE
 DATE: 2003/03/25

CHECKED BY: R. KEMP
 DATE: 2003/03/27

APPROVED BY: P. WALTZ
 DATE: 2003/03/28

TITLE
11.13/.438" PCB BTS 600V NO MTG ENDS, STD LENGTH (63A5XX-C)

MOLEX INCORPORATED

MATERIAL NO. SEE CHART
 DOCUMENT NO. SD-38630-008

SHEET NO. 1 OF 1

X-ON Electronics

Largest Supplier of Electrical and Electronic Components

Click to view similar products for [Barrier Terminal Blocks](#) category:

Click to view products by [Molex](#) manufacturer:

Other Similar products are found below :

[CR151D20104](#) [670A-RZ-15-KT20](#) [6C1N03](#) [6PCR-02](#) [6PCR-02-008](#) [6PCR-05-008](#) [6PCR-08-008](#) [6PCR-09-008](#) [6PCR-13-006](#) [6PCR-15-006](#) [6PCR-21-006](#) [6PCV-06-008](#) [6PCV-06-716](#) [6PCV-09-001](#) [6PCV-10-009](#) [6PCV-15-008](#) [6PCV-17-1206](#) [6PCV-20-323](#) [6PCV-20-720](#) [6PCV-30-006](#) [6STR-06-006](#) [6STR-08-006](#) [6STR-12-008](#) [6STR-13-006](#) [6STR-14-008](#) [6STR-16-008](#) [6STR-17-008](#) [6STR-21-008](#) [6STR-25-008](#) [6STR-27-008](#) [6STV-03-006](#) [6STV-03-008](#) [6STV-04-006](#) [6STV-09-006](#) [6STV-10-006](#) [6WWR-03-693](#) [6WWV-12-008](#) [72212603](#) [72506-C](#) [72507-C-50](#) [73203](#) [75505-C](#) [75505-C-50](#) [75510-C](#) [77010-50](#) [7C1N08](#) [812-GP-3/4ST-09](#) [8-1437402-5](#) [8PCR-06-006](#) [8PCR-11-006](#)