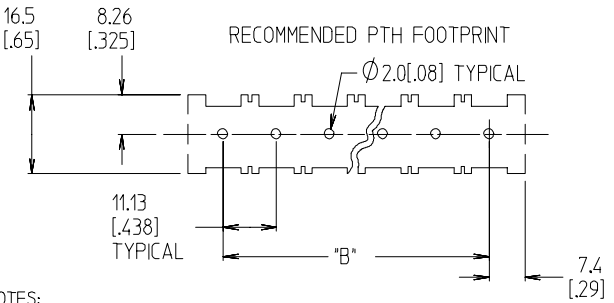
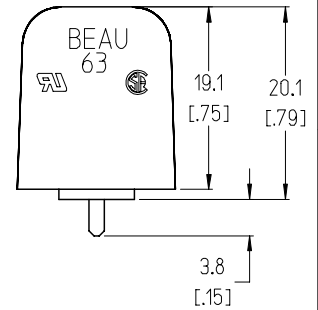
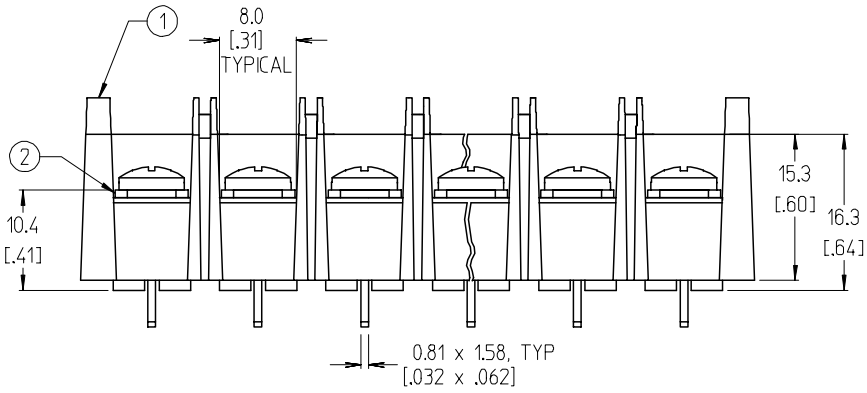
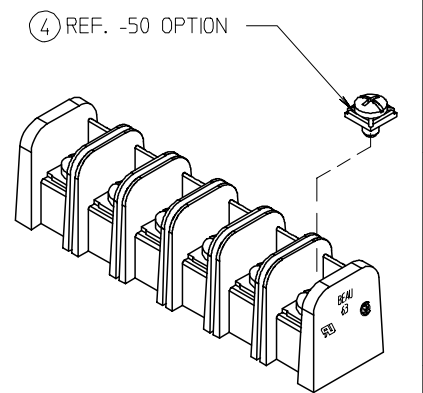
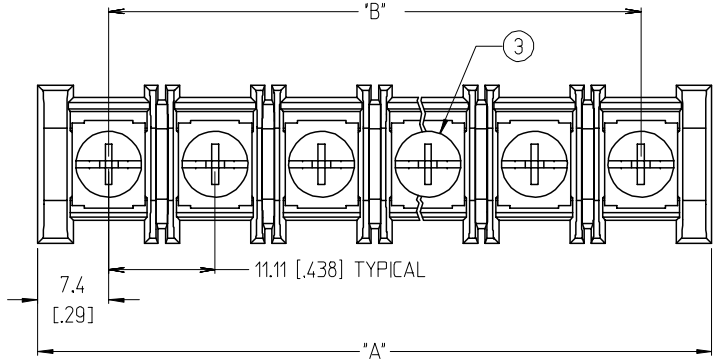


| NO. OF CIRCUITS | DIM. "A" | | DIM. "B" | | ASSEMBLY MATERIAL NO. (STANDARD) | ASSEMBLY MATERIAL NO. (-50 OPT) |
|-----------------|----------|------|----------|-------|----------------------------------|---------------------------------|
| | mm | in | mm | in | | |
| 02 | 25.9 | 1.02 | 11.11 | .438 | 386344302 | 386345102 |
| 03 | 37.0 | 1.46 | 22.23 | .875 | 386344303 | 386345103 |
| 04 | 48.1 | 1.89 | 33.34 | 1.313 | 386344304 | 386345104 |
| 05 | 59.2 | 2.33 | 44.45 | 1.750 | 386344305 | 386345105 |
| 06 | 70.3 | 2.77 | 55.56 | 2.188 | 386344306 | 386345106 |
| 07 | 81.5 | 3.21 | 66.68 | 2.625 | 386344307 | 386345107 |
| 08 | 92.6 | 3.64 | 77.79 | 3.063 | 386344308 | 386345108 |
| 09 | 103.7 | 4.08 | 88.90 | 3.500 | 386344309 | 386345109 |
| 10 | 114.8 | 4.52 | 100.01 | 3.938 | 386344310 | 386345110 |
| 11 | 125.9 | 4.96 | 111.13 | 4.375 | 386344311 | 386345111 |
| 12 | 137.0 | 5.39 | 122.24 | 4.813 | 386344312 | 386345112 |
| 13 | 148.1 | 5.83 | 133.35 | 5.250 | 386344313 | 386345113 |
| 14 | 159.2 | 6.27 | 144.46 | 5.688 | 386344314 | 386345114 |
| 15 | 170.4 | 6.71 | 155.58 | 6.125 | 386344315 | 386345115 |
| 16 | 181.5 | 7.14 | 166.69 | 6.563 | 386344316 | 386345116 |
| 17 | 192.6 | 7.58 | 177.80 | 7.000 | 386344317 | 386345117 |
| 18 | 203.7 | 8.02 | 188.91 | 7.438 | 386344318 | 386345118 |
| 19 | 214.8 | 8.46 | 200.03 | 7.875 | 386344319 | 386345119 |
| 20 | 225.9 | 8.89 | 211.14 | 8.313 | 386344320 | 386345120 |



- NOTES:
1. MATERIAL: SEE TABLE
 2. FINISHES: SEE TABLE
 3. INCH DIMS ARE SHOWN IN BRACKETS (XXX).
 4. 'XX' REFERS TO THE QUANTITY OF CIRCUITS.
 5. ASSEMBLY IS ROHS COMPLIANT.

(B)

| ITEM | QTY. | DESCRIPTION | MATERIAL | FINISH |
|------|------|--|----------|--------------------|
| 4 | XX | SCREW&WASHER, #6-32X.25, PAN, PH/SL, -50 | STEEL | ZN, CLEAR CHROMATE |
| 3 | XX | SCREW, #6-32X.25, BHD, PH/SL, STANDARD | STEEL | ZN, CLEAR CHROMATE |
| 2 | XX | TERMINAL, PC | BRASS | TIN PLATED |
| 1 | 1 | HOUSING, SR BTS, PC, CS, NO MTG. | PBT | BLACK |

| | |
|--------------------------|-----------------|
| ADD MAT'L # & NOTE | QUALITY SYMBOLS |
| EC NO: ETC2007-0392 | ▽=0 |
| DRWN:CLYORK 2007/05/11 | ▽=0 |
| CHKD:JMACNEIL 2007/05/11 | |
| APPR:JMACNEIL 2007/05/14 | |
| REV | DESCRIPTION |
| B | |

| GENERAL TOLERANCES (UNLESS SPECIFIED) | |
|---------------------------------------|--------|
| mm | INCH |
| 4 PLACES ± --- | ± --- |
| 3 PLACES ± --- | ± .005 |
| 2 PLACES ± 0.13 | ± .01 |
| 1 PLACE ± 0.3 | ± --- |
| ANGULAR ± 2 ° | |

| DIMENSION STYLE | |
|-----------------|--------------|
| MM/IN | |
| DRAWN BY | DATE |
| W. HOWARD | 2003/07/16 |
| CHECKED BY | DATE |
| R. KEMP | 2003/07/18 |
| APPROVED BY | DATE |
| P. WALTZ | 2003/07/18 |
| MATERIAL NO. | DOCUMENT NO. |
| SEE CHART | SD-38634-001 |

| | | |
|--|--------------|------------------------|
| SCALE | DESIGN UNITS | THIRD ANGLE PROJECTION |
| 2:1 | INCH | |
| TITLE | | |
| 11.11MM SR BTS, PC, CLOSED SIDE ASSY, NO MTG, 600V, BEAU 63R | | |
| MOLEX INCORPORATED | | |
| SHEET NO. | | 1 OF 1 |

THIS DRAWING CONTAINS INFORMATION THAT IS PROPRIETARY TO MOLEX INCORPORATED AND SHOULD NOT BE USED WITHOUT WRITTEN PERMISSION

X-ON Electronics

Largest Supplier of Electrical and Electronic Components

Click to view similar products for [Barrier Terminal Blocks](#) category:

Click to view products by [Molex](#) manufacturer:

Other Similar products are found below :

[CR151D20104](#) [670A-RZ-15-KT20](#) [6C1N03](#) [6PCR-02](#) [6PCR-02-008](#) [6PCR-05-008](#) [6PCR-08-008](#) [6PCR-09-008](#) [6PCR-13-006](#) [6PCR-15-006](#) [6PCR-21-006](#) [6PCV-06-008](#) [6PCV-06-716](#) [6PCV-09-001](#) [6PCV-10-009](#) [6PCV-15-008](#) [6PCV-17-1206](#) [6PCV-20-323](#) [6PCV-20-720](#) [6PCV-30-006](#) [6STR-06-006](#) [6STR-08-006](#) [6STR-12-008](#) [6STR-13-006](#) [6STR-14-008](#) [6STR-16-008](#) [6STR-17-008](#) [6STR-21-008](#) [6STR-25-008](#) [6STR-27-008](#) [6STV-03-006](#) [6STV-03-008](#) [6STV-04-006](#) [6STV-09-006](#) [6STV-10-006](#) [6WWR-03-693](#) [6WWV-12-008](#) [72212603](#) [72506-C](#) [72507-C-50](#) [73203](#) [75505-C](#) [75505-C-50](#) [75510-C](#) [77010-50](#) [7C1N08](#) [812-GP-3/4ST-09](#) [8-1437402-5](#) [8PCR-06-006](#) [8PCR-11-006](#)