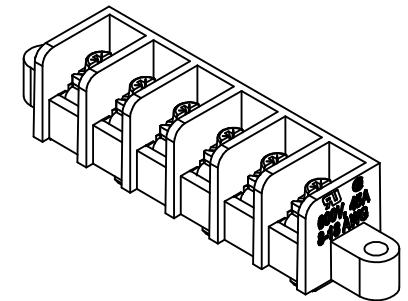
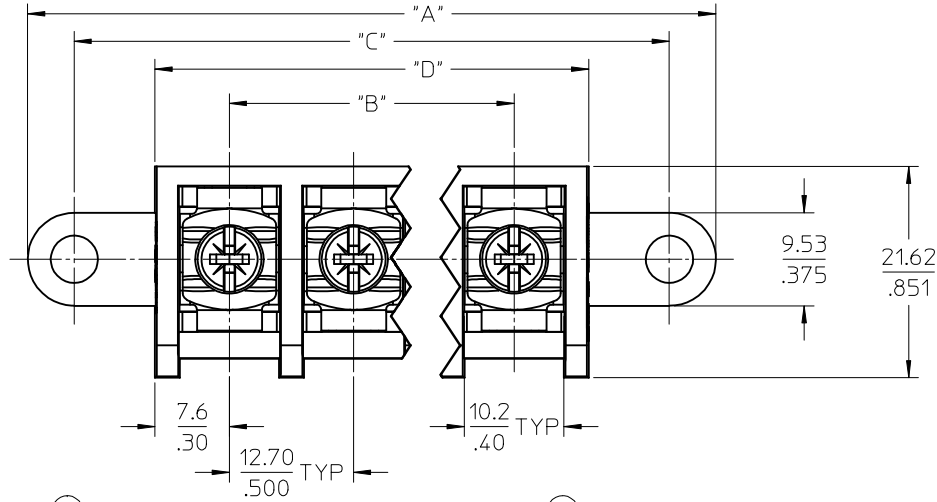
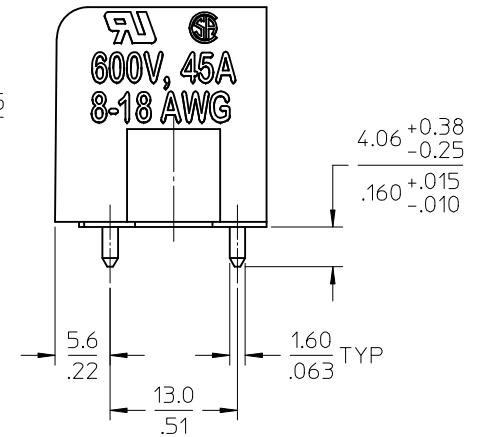
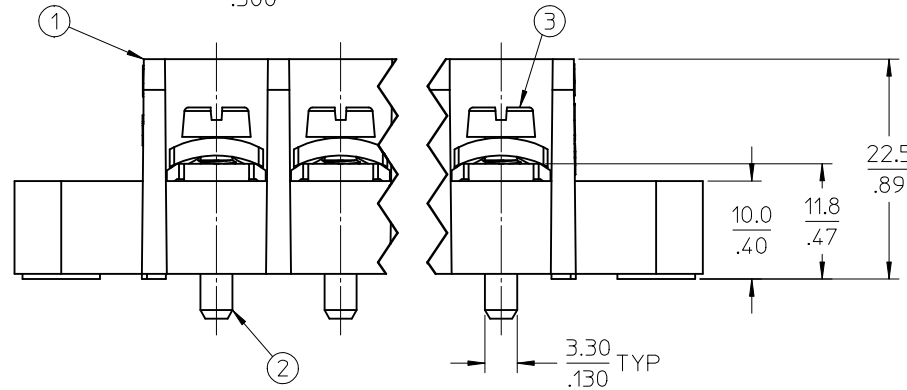
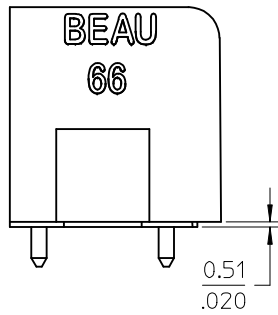


RECOMMENDED PTH PATTERN  
VIEW SCALE 1:1



AUX. VIEW  
SCALE 1:1  
(6 CIRCUIT SHOWN)



NOTES:

1. MATERIAL: SEE TABLE
2. FINISHES: SEE TABLE
3. "XX" REFERS TO THE NUMBER OF CIRCUIT POSITIONS.
4. ASSEMBLY IS ROHS COMPLIANT.

ITEM	QTY.	DESCRIPTION	MATERIAL	FINISH
3	XX	SCREW, M4 POZI-SLOT W/WASHER	STEEL	ZN/CLEAR CHROMATE
2	XX	TERMINAL, PC	RED BRASS	TIN PLATE
1	1	INSULATOR, SINGLE ROW WITH MTG ENDS	POLYESTER (PBT)	BLACK

INITIAL RELEASE EC NO: WNA2009-0247 DRAWN BY: C. YORK CHKD: R. DEROSS APPR: D. ITTUS	QUALITY SYMBOLS ▽=0 ▽=0	GENERAL TOLERANCES (UNLESS SPECIFIED)		DIMENSION STYLE MM/IN		SCALE 2:1	DESIGN UNITS INCH	THIRD ANGLE PROJECTION		
		4 PLACES ± --- ± ---	mm	INCH	DRAWN BY	DATE	TITLE SR BTS, 12.70/.500 PITCH PC W/MTG ASSY, ROHS COMPLIANT			
		3 PLACES ± --- ± .005			C. YORK	2008/10/13	MOLEX INCORPORATED			
		2 PLACES ± 0.13 ± .01			R. DEROSS	2008/10/13	DOCUMENT NO. SD-38660-004			
DRAFT WHERE APPLICABLE MUST REMAIN WITHIN DIMENSIONS		1 PLACE ± 0.3 ± ---		APPROVED BY D. ITTUS		DATE	SHEET NO. 1 OF 2		MATERIAL NO. SEE SHT. 2	
THIS DRAWING CONTAINS INFORMATION THAT IS PROPRIETARY TO MOLEX INCORPORATED AND SHOULD NOT BE USED WITHOUT WRITTEN PERMISSION										

NO. OF CIRCUITS	DIM. "A"		DIM. "B"		DIM. "C"		DIM. "D"		ASSEMBLY MATERIAL NO.
	mm	in	mm	in	mm	in	mm	in	
02	54.1	2.13	12.70	.500	44.45	1.750	27.9	1.10	386608602
03	66.8	2.63	25.40	1.000	57.15	2.250	40.6	1.60	386608603
04	79.5	3.13	38.10	1.500	69.85	2.750	53.3	2.10	386608604
05	92.2	3.63	50.80	2.000	82.55	3.250	66.0	2.60	386608605
06	104.9	4.13	63.50	2.500	95.25	3.750	78.7	3.10	386608606
07	117.6	4.63	76.20	3.000	107.95	4.250	91.4	3.60	386608607
08	130.3	5.13	88.90	3.500	120.65	4.750	104.1	4.10	386608608
09	143.0	5.63	101.60	4.000	133.35	5.250	116.8	4.60	386608609
10	155.7	6.13	114.30	4.500	146.05	5.750	129.5	5.10	386608610
11	168.4	6.63	127.00	5.000	158.75	6.250	142.2	5.60	386608611
12	181.1	7.13	139.70	5.500	171.45	6.750	154.9	6.10	386608612
13	193.8	7.63	152.40	6.000	184.15	7.250	167.6	6.60	386608613

SEE SHEET ONE EC NO: WNA2009-0247 DRAWN BY: C. YORK 2009/10/27 CHKD: R. DEROSS 2009/10/27 APPR: D. TITUS 2009/10/27 REV A	QUALITY SYMBOLS	GENERAL TOLERANCES (UNLESS SPECIFIED)	DIMENSION STYLE	SCALE	DESIGN UNITS	THIRD ANGLE PROJECTION
	▽=0 ▽=0	mm	MM/IN	2:1	INCH	SR BTS, 12.70/.500 PITCH PC W/MTG ASSY, ROHS COMPLIANT MOLEX INCORPORATED DOCUMENT NO. SD-38660-004 SHEET NO. 2 OF 2
		INCH	MM/IN	DRAWN BY	DATE	
		4 PLACES ± --- ± ---	3 PLACES ± --- ± .005	C. YORK	2008/10/13	
		2 PLACES ± 0.13 ± .01	1 PLACE ± 0.3 ± ---	R. DEROSS	2008/10/13	
ANGULAR ± 2 °	DRAFT WHERE APPLICABLE MUST REMAIN WITHIN DIMENSIONS	APPROVED BY	DATE	MATERIAL NO.	SEE CHART	
		D. TITUS	2009/10/27			

## X-ON Electronics

Largest Supplier of Electrical and Electronic Components

*Click to view similar products for [Barrier Terminal Blocks](#) category:*

*Click to view products by [Molex](#) manufacturer:*

Other Similar products are found below :

[CR151D20104](#) [670A-RZ-15-KT20](#) [6C1N03](#) [6PCR-02](#) [6PCR-02-008](#) [6PCR-05-008](#) [6PCR-08-008](#) [6PCR-09-008](#) [6PCR-13-006](#) [6PCR-15-006](#) [6PCR-21-006](#) [6PCV-06-008](#) [6PCV-06-716](#) [6PCV-09-001](#) [6PCV-10-009](#) [6PCV-15-008](#) [6PCV-17-1206](#) [6PCV-20-323](#) [6PCV-20-720](#) [6PCV-30-006](#) [6STR-06-006](#) [6STR-08-006](#) [6STR-12-008](#) [6STR-13-006](#) [6STR-14-008](#) [6STR-16-008](#) [6STR-17-008](#) [6STR-21-008](#) [6STR-25-008](#) [6STR-27-008](#) [6STV-03-006](#) [6STV-03-008](#) [6STV-04-006](#) [6STV-09-006](#) [6STV-10-006](#) [6WWR-03-693](#) [6WWV-12-008](#) [72212603](#) [72506-C](#) [72507-C-50](#) [73203](#) [75505-C](#) [75505-C-50](#) [75510-C](#) [77010-50](#) [7C1N08](#) [812-GP-3/4ST-09](#) [8-1437402-5](#) [8PCR-06-006](#) [8PCR-11-006](#)