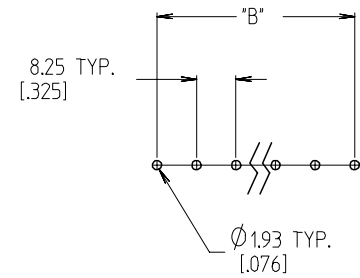
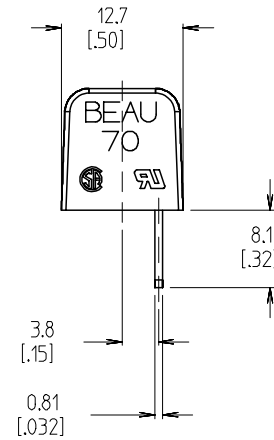
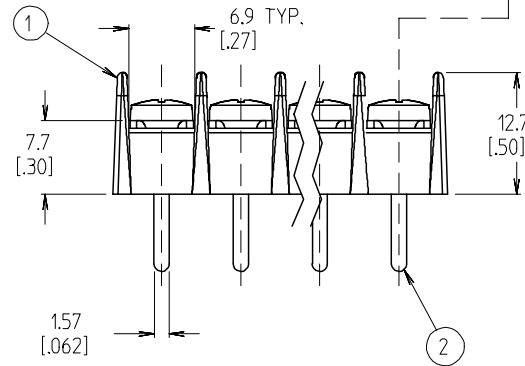
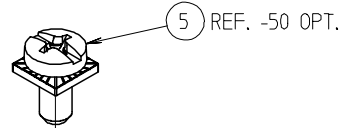


4 CIRCUIT SHOWN



PTH PATTERN  
SCALE 1:1

NOTES:

1. MATERIAL: SEE TABLE
2. FINISH: SEE TABLE
3. "XX" REFERS TO THE QUANTITY OF CIRCUITS.
4. INCH DIMS ARE SHOWN IN BRACKETS [XXX].
5. ALL COMPONENTS ARE ROHS COMPLIANT.

|      |      |   |          |                    |
|------|------|---|----------|--------------------|
| 5    | *XX* | SCREW, #6-32X.250, PAN, PH-SL, W/WASHER (-50 OPT) | STEEL    | ZN, CLEAR CHROMATE |
| 4    | *XX* | SCREW, #6-32X.250, PAN, PH-SL (-49 OPT)           | BRASS    | NICKEL PLATE       |
| 3    | *XX* | SCREW, #6-32X.250, PAN, PH-SL                     | STEEL    | ZN, CLEAR CHROMATE |
| 2    | *XX* | TERMINAL, WW, #6-32                               | BRASS    | TIN PLATE          |
| 1    | 1    | INSULATOR, SR, MOLDED MTG.                        | PBT, GF  | BLACK              |
| ITEM | QTY. | DESCRIPTION                                       | MATERIAL | FINISH             |

|                 |                     |                       |                         |                         |
|-----------------|---------------------|-----------------------|-------------------------|-------------------------|
| INITIAL RELEASE | EC NO: ETC2006-0405 | DRWN:CYORK 2006/05/04 | CHKD:RDEROSS 2006/05/06 | APPR:RDEROSS 2006/05/08 |
| REV             | A                   | DESCRIPTION           |                         |                         |

|                 |     |     |
|-----------------|-----|-----|
| QUALITY SYMBOLS | ▽=0 | ▽=0 |
|-----------------|-----|-----|

|  |                 |        |
|--|-----------------|--------|
| GENERAL TOLERANCES (UNLESS SPECIFIED)                | mm              | INCH   |
|  | 4 PLACES ± ---  | ± ---  |
|  | 3 PLACES ± ---  | ± .005 |
|  | 2 PLACES ± 0.13 | ± .01  |
|  | 1 PLACE ± 0.3   | ± ---  |
| ANGULAR ± 2 °  |                 |        |
| DRAFT WHERE APPLICABLE MUST REMAIN WITHIN DIMENSIONS |                 |        |

|                         |           |                 |
|-------------------------|-----------|-----------------|
| DIMENSION STYLE         |           | MM/IN           |
| DRAWN BY                | C. YORK   | DATE 2006/04/27 |
| CHECKED BY              | R. DEROSS | DATE 2006/04/27 |
| APPROVED BY             | R. DEROSS | DATE 2006/04/27 |
| MATERIAL NO. SEE SHT. 2 |           |                 |

|  |                   |                        |
|--|-------------------|------------------------|
| SCALE 2:1                                  | DESIGN UNITS INCH | THIRD ANGLE PROJECTION |
| TITLE 8.26MM [.325] SR BTS WW ASSY, NO MTG |                   |                        |
| MOLEX INCORPORATED                         |                   | SHEET NO. 1 OF 2       |
| DOCUMENT NO. SD-38701-002                  |                   |                        |

| # OF CIRCUITS "XX" | DIM. "A" |      | DIM. "B" |       | ASSEMBLY MATERIAL NO. (-C OPT) | ASSEMBLY MATERIAL NO. (-C-49 OPT) | ASSEMBLY MATERIAL NO. (-C-50 OPT) |
|--------------------|----------|------|----------|-------|--------------------------------|-----------------------------------|-----------------------------------|
|                    | mm       | in   | mm       | in    |                                |                                   |                                   |
| 02                 | 18.4     | 0.73 | 8.26     | 0.325 | 387012302                      | 387012902                         | 387013502                         |
| 03                 | 26.7     | 1.05 | 16.51    | 0.650 | 387012303                      | 387012903                         | 387013503                         |
| 04                 | 34.9     | 1.38 | 24.77    | 0.975 | 387012304                      | 387012904                         | 387013504                         |
| 05                 | 43.2     | 1.70 | 33.02    | 1.300 | 387012305                      | 387012905                         | 387013505                         |
| 06                 | 51.4     | 2.03 | 41.28    | 1.625 | 387012306                      | 387012906                         | 387013506                         |
| 07                 | 59.7     | 2.35 | 49.53    | 1.950 | 387012307                      | 387012907                         | 387013507                         |
| 08                 | 67.9     | 2.68 | 57.79    | 2.275 | 387012308                      | 387012908                         | 387013508                         |
| 09                 | 76.2     | 3.00 | 66.04    | 2.600 | 387012309                      | 387012909                         | 387013509                         |
| 10                 | 84.5     | 3.33 | 74.30    | 2.925 | 387012310                      | 387012910                         | 387013510                         |
| 11                 | 92.7     | 3.65 | 82.55    | 3.250 | 387012311                      | 387012911                         | 387013511                         |
| 12                 | 101.0    | 3.98 | 90.81    | 3.575 | 387012312                      | 387012912                         | 387013512                         |
| 13                 | 109.2    | 4.30 | 99.06    | 3.900 | 387012313                      | 387012913                         | 387013513                         |
| 14                 | 117.5    | 4.63 | 107.32   | 4.225 | 387012314                      | 387012914                         | 387013514                         |
| 15                 | 125.7    | 4.95 | 115.57   | 4.550 | 387012315                      | 387012915                         | 387013515                         |
| 16                 | 134.0    | 5.28 | 123.83   | 4.875 | 387012316                      | 387012916                         | 387013516                         |
| 17                 | 142.2    | 5.60 | 132.08   | 5.200 | 387012317                      | 387012917                         | 387013517                         |
| 18                 | 150.5    | 5.93 | 140.34   | 5.525 | 387012318                      | 387012918                         | 387013518                         |
| 19                 | 158.8    | 6.25 | 148.59   | 5.850 | 387012319                      | 387012919                         | 387013519                         |
| 20                 | 167.0    | 6.58 | 156.85   | 6.175 | 387012320                      | 387012920                         | 387013520                         |
| 21                 | 175.3    | 6.90 | 165.10   | 6.500 | 387012321                      | 387012921                         | 387013521                         |
| 22                 | 183.5    | 7.23 | 173.36   | 6.825 | 387012322                      | 387012922                         | 387013522                         |
| 23                 | 191.8    | 7.55 | 181.61   | 7.150 | 387012323                      | 387012923                         | 387013523                         |
| 24                 | 200.0    | 7.88 | 189.87   | 7.475 | 387012324                      | 387012924                         | 387013524                         |
| 25                 | 208.3    | 8.20 | 198.12   | 7.800 | 387012325                      | 387012925                         | 387013525                         |
| 26                 | 216.5    | 8.53 | 206.38   | 8.125 | 387012326                      | 387012926                         | 387013526                         |
| 27                 | 224.8    | 8.85 | 214.63   | 8.450 | 387012327                      | 387012927                         | 387013527                         |
| 28                 | 233.0    | 9.18 | 222.89   | 8.775 | 387012328                      | 387012928                         | 387013528                         |
| 29                 | 241.3    | 9.50 | 231.14   | 9.100 | 387012329                      | 387012929                         | 387013529                         |
| 30                 | 249.6    | 9.83 | 239.40   | 9.425 | 387012330                      | 387012930                         | 387013530                         |

|  |                               |  |  |                           |  |   |                      |                        |  |
|--|-------------------------------|--|--|---------------------------|--|---|----------------------|------------------------|--|
| SEE SHEET 1<br>EC NO: ETC2006-0405<br>DRWN: CYORK 2006/05/04<br>CHKD: RDEROSS 2006/05/06<br>APPR: RDEROSS 2006/05/08 | QUALITY SYMBOLS<br>▽=0<br>▽=0 | GENERAL TOLERANCES (UNLESS SPECIFIED)                      |  | DIMENSION STYLE<br>MM/IN  |  | SCALE<br>2:1  | DESIGN UNITS<br>INCH | THIRD ANGLE PROJECTION |  |
|  |                               |  |  |                           |  | DRAWN BY<br>C. YORK   |                      | DATE<br>2006/04/27     |  |
|  |                               |  |  |                           |  | CHECKED BY<br>R. DEROSS   |                      | DATE<br>2006/04/27     |  |
|  |                               |  |  |                           |  | APPROVED BY<br>R. DEROSS  |                      | DATE<br>2006/04/27     |  |
|  |                               | ANGULAR ± 2 °  |  | MATERIAL NO.<br>SEE CHART |  | DOCUMENT NO.<br>SD-38701-002  |                      | SHEET NO.<br>2 OF 2    |  |
|  |                               | DRAFT WHERE APPLICABLE<br>MUST REMAIN<br>WITHIN DIMENSIONS |  | SIZE<br>B                 |  | THIS DRAWING CONTAINS INFORMATION THAT IS PROPRIETARY TO MOLEX INCORPORATED AND SHOULD NOT BE USED WITHOUT WRITTEN PERMISSION |                      |                        |  |

## X-ON Electronics

Largest Supplier of Electrical and Electronic Components

*Click to view similar products for [Barrier Terminal Blocks](#) category:*

*Click to view products by [Molex](#) manufacturer:*

Other Similar products are found below :

[CR151D20104](#) [670A-RZ-15-KT20](#) [6C1N03](#) [6PCR-02](#) [6PCR-02-008](#) [6PCR-05-008](#) [6PCR-08-008](#) [6PCR-09-008](#) [6PCR-13-006](#) [6PCR-15-006](#) [6PCR-21-006](#) [6PCV-06-008](#) [6PCV-06-716](#) [6PCV-09-001](#) [6PCV-10-009](#) [6PCV-15-008](#) [6PCV-17-1206](#) [6PCV-20-323](#) [6PCV-20-720](#) [6PCV-30-006](#) [6STR-06-006](#) [6STR-08-006](#) [6STR-12-008](#) [6STR-13-006](#) [6STR-14-008](#) [6STR-16-008](#) [6STR-17-008](#) [6STR-21-008](#) [6STR-25-008](#) [6STR-27-008](#) [6STV-03-006](#) [6STV-03-008](#) [6STV-04-006](#) [6STV-09-006](#) [6STV-10-006](#) [6WWR-03-693](#) [6WWV-12-008](#) [72212603](#) [72506-C](#) [72507-C-50](#) [73203](#) [75505-C](#) [75505-C-50](#) [75510-C](#) [77010-50](#) [7C1N08](#) [812-GP-3/4ST-09](#) [8-1437402-5](#) [8PCR-06-006](#) [8PCR-11-006](#)