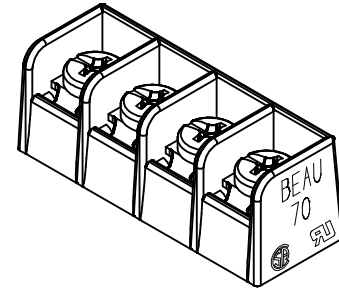
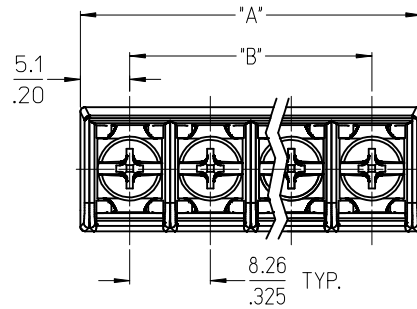
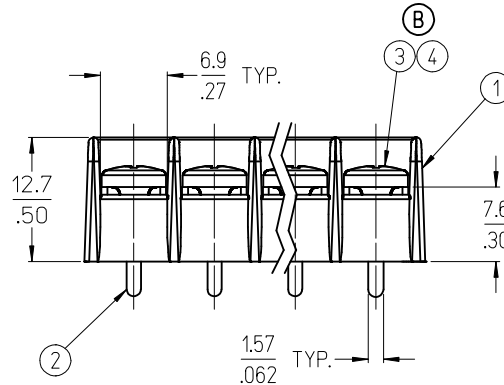


REF. -50 OPT. SCREW
(WHERE APPLICABLE)



4 CIRCUIT SHOWN



NOTES:

1. MATERIAL: SEE TABLE
2. FINISHES: SEE TABLE
3. "XX" REFERS TO THE QUANTITY OF CIRCUITS
4. ROHS COMPLIANT

5		XX	SCREW&WASHER, #6-32X.25, PAN, PH/SL (-50 OPT)	STEEL	ZN, CLEAR CHROMATE	ADD STD AND -49 OPT EC NO: MNA2009-0702 /DRWN: JENC INAS 2009/05/26 /CHKD: CYORK 2009/05/27 /APPR: JIMACNE IL 2009/05/27 B REV	QUALITY SYMBOLS ▽=0 ▽=0	GENERAL TOLERANCES (UNLESS SPECIFIED)		DIMENSION STYLE MM/IN		SCALE 2:1	DESIGN UNITS INCH	THIRD ANGLE PROJECTION	
4		XX	SCREW, #6-32X.25, PAN, PH/SL (-49 OPT)	BRASS	NICKEL PLATE			4 PLACES ± --- ± ---	INCH	DRAWN BY R. KEMP	DATE 2003/05/16	TITLE 8.26MM [.325] SR BTS, CS PC, NO MTG. ENDS			
3		XX	SCREW, #6-32X.25, PAN, PH/SL (STD.)	STEEL	ZN, CLEAR CHROMATE			3 PLACES ± --- ± .005		CHECKED BY P. WALTZ	DATE 2003/05/22				
2		XX	TERMINAL, PC	BRASS	TIN PLATE			2 PLACES ± 0.13 ± .01		APPROVED BY P. WALTZ	DATE 2003/05/22	MOLEX INCORPORATED DOCUMENT NO. SD-38704-001			
1		1	INSULATOR, SR BTS PC CS 2 MO C	POLYESTER (PBT)	BLACK			1 PLACE ± 0.3 ± ---		MATERIAL NO.		SEE SHT. 2		SHEET NO. 1 OF 2	
ITEM	QTY.	DESCRIPTION			MATERIAL	FINISH	DRAFT WHERE APPLICABLE MUST REMAIN WITHIN DIMENSIONS		THIS DRAWING CONTAINS INFORMATION THAT IS PROPRIETARY TO MOLEX INCORPORATED AND SHOULD NOT BE USED WITHOUT WRITTEN PERMISSION						

10 9 8 7 6 5 4 3 2 1

NO. OF CIRCUITS	DIM. "A"		DIM. "B"		ASSEMBLY MATERIAL NO. (STANDARD)	ASSEMBLY MATERIAL NO. (-49 OPT)	ASSEMBLY MATERIAL NO. (-50 OPT)
	mm	in	mm	in			
02	18.5	0.73	8.26	.325	387044102	387044502	387044902
03	26.8	1.06	16.51	.650	387044103	387044503	387044903
04	35.1	1.38	24.77	.975	387044104	387044504	387044904
05	43.3	1.70	33.02	1.300	387044105	387044505	387044905
06	51.5	2.03	41.28	1.625	387044106	387044506	387044906
07	59.8	2.35	49.53	1.950	387044107	387044507	387044907
08	68.0	2.68	57.79	2.275	387044108	387044508	387044908
09	76.3	3.00	66.04	2.600	387044109	387044509	387044909
10	84.6	3.33	74.30	2.925	387044110	387044510	387044910
11	92.8	3.65	82.55	3.250	387044111	387044511	387044911
12	101.1	3.98	90.81	3.575	387044112	387044512	387044912
13	109.3	4.30	99.06	3.900	387044113	387044513	387044913
14	117.6	4.63	107.32	4.225	387044114	387044514	387044914
15	125.8	4.95	115.57	4.550	387044115	387044515	387044915
16	134.1	5.28	123.83	4.875	387044116	387044516	387044916

SEE SHEET ONE EC NO: WNA2009-0702 DRWN: JENC INAS 2009/05/26 CHKD: CYORK 2009/05/27 APPR: JMAGNE II 2009/05/27	QUALITY SYMBOLS ▽=0 ▽=0	GENERAL TOLERANCES (UNLESS SPECIFIED) <table border="1"> <tr> <th></th> <th>mm</th> <th>INCH</th> </tr> <tr> <td>4 PLACES</td> <td>± ---</td> <td>± ---</td> </tr> <tr> <td>3 PLACES</td> <td>± ---</td> <td>± .005</td> </tr> <tr> <td>2 PLACES</td> <td>± 0.13</td> <td>± .01</td> </tr> <tr> <td>1 PLACE</td> <td>± 0.3</td> <td>± ---</td> </tr> </table>		mm	INCH	4 PLACES	± ---	± ---	3 PLACES	± ---	± .005	2 PLACES	± 0.13	± .01	1 PLACE	± 0.3	± ---	DIMENSION STYLE MM/IN	SCALE 1:1	DESIGN UNITS INCH	THIRD ANGLE PROJECTION
		mm	INCH																		
	4 PLACES	± ---	± ---																		
	3 PLACES	± ---	± .005																		
2 PLACES	± 0.13	± .01																			
1 PLACE	± 0.3	± ---																			
DRAWN BY R. KEMP	DATE 2003/05/16	TITLE 8.26MM [.325] SR BTS, CS PC, NO MTG. ENDS																			
CHECKED BY P. WALTZ	DATE 2003/05/22	MOLEX INCORPORATED																			
APPROVED BY P. WALTZ	DATE 2003/05/22	MATERIAL NO.	DOCUMENT NO. SD-38704-001	SHEET NO. 2 OF 2																	

DRAFT WHERE APPLICABLE
MUST REMAIN
WITHIN DIMENSIONS

SEE CHART

SIZE B

THIS DRAWING CONTAINS INFORMATION THAT IS PROPRIETARY TO MOLEX INCORPORATED AND SHOULD NOT BE USED WITHOUT WRITTEN PERMISSION

9 8 7 6 5 4 3 2 1

X-ON Electronics

Largest Supplier of Electrical and Electronic Components

Click to view similar products for [Barrier Terminal Blocks](#) category:

Click to view products by [Molex](#) manufacturer:

Other Similar products are found below :

[CR151D20104](#) [670A-RZ-15-KT20](#) [6C1N03](#) [6PCR-02](#) [6PCR-02-008](#) [6PCR-05-008](#) [6PCR-08-008](#) [6PCR-09-008](#) [6PCR-13-006](#) [6PCR-15-006](#) [6PCR-21-006](#) [6PCV-06-008](#) [6PCV-06-716](#) [6PCV-09-001](#) [6PCV-10-009](#) [6PCV-15-008](#) [6PCV-17-1206](#) [6PCV-20-323](#) [6PCV-20-720](#) [6PCV-30-006](#) [6STR-06-006](#) [6STR-08-006](#) [6STR-12-008](#) [6STR-13-006](#) [6STR-14-008](#) [6STR-16-008](#) [6STR-17-008](#) [6STR-21-008](#) [6STR-25-008](#) [6STR-27-008](#) [6STV-03-006](#) [6STV-03-008](#) [6STV-04-006](#) [6STV-09-006](#) [6STV-10-006](#) [6WWR-03-693](#) [6WWV-12-008](#) [72212603](#) [72506-C](#) [72507-C-50](#) [73203](#) [75505-C](#) [75505-C-50](#) [75510-C](#) [77010-50](#) [7C1N08](#) [812-GP-3/4ST-09](#) [8-1437402-5](#) [8PCR-06-006](#) [8PCR-11-006](#)