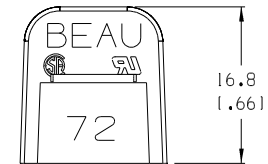
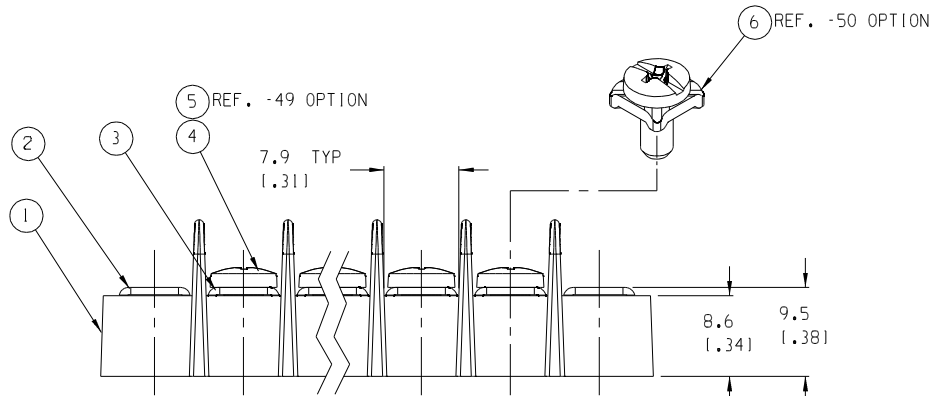


4 CIRCUIT SHOWN



NOTES:

1. MATERIAL: SEE TABLE
2. FINISHES: SEE TABLE
3. PRODUCT SPECIFICATION: NOT REQUIRED
4. PACKAGING: NOT REQUIRED
5. MATES WITH: NONE
6. "XX" REFERS TO THE QUANTITY OF CIRCUITS.
7. REFER TO SD-38120-001 FOR OPTIONAL IMPRINTING (-10A).

| ITEM | QTY. | DESCRIPTION | MATERIAL | FINISH |
|------|------|--|---------------|--------------------|
| 6 | XX | SCREW W/WASHER, #6-32X.250 PAN, PHIL-SLOT(-50) | STEEL | ZN, CLEAR CHROMATE |
| 5 | XX | SCREW, #6-32 X .250 BHD, PHIL-SLOT (-49) | BRASS | NICKEL PLATE |
| 4 | XX | SCREW, #6-32 X .250 BHD, PHIL-SLOT | STEEL | ZN, CLEAR CHROMATE |
| 3 | XX | TERMINAL, CB | BRASS | TIN PLATE |
| 2 | 2 | PLATE, MOUNTING | BRASS | NICKEL PLATE |
| 1 | 1 | INSULATOR, SR, CB | THERMOPLASTIC | BLACK |

| | |
|---|-------------|
| EC NO. RELEASED DRWN: CLY CH: K1 APPR: | DESCRIPTION |
| | MAJOR |
| | CRITICAL |
| | SPC |
| REV | A1 |

| | |
|--|-------------|
| GENERAL TOLERANCES: (UNLESS SPECIFIED) | |
| mm | INCH |
| 4 PLACES | ±.0015 |
| 3 PLACES | ±.038 ±.005 |
| 2 PLACES | ±.13 ±.01 |
| 1 PLACE | ±.3 |
| ANGULAR: ±2° | |
| DRAFT WHERE APPLICABLE MUST REMAIN WITHIN DIMENSIONS | |

| | |
|-----------------------------------|--|
| SCALE: 2:1 | DESIGN UNITS: <input type="checkbox"/> mm <input checked="" type="checkbox"/> INCH |
| DRAWN BY & DATE: C. YORK 09-14-05 | |
| CHECKED BY & DATE: | |
| APPROVED BY & DATE: | |
| CAD FILENAME: 721XX | MATERIAL NO.: SEE SHT. 2 |

| |
|---------------------------------------|
| THIRD ANGLE PROJECTION |
| TITLE: 9.53mm (.375") SR BTS, CB ASSY |
| MOLEX INCORPORATED |

| | | |
|--|----------------------------------|--------------------|
| PROJECT NO.: | - | - |
| DIMENSIONS: | SHT | REV |
| <input checked="" type="checkbox"/> mm <input type="checkbox"/> INCH | <input type="checkbox"/> mm ONLY | REVISE ON CAD ONLY |
| DRAWING NO.: | SD-38720-008 | SHEET NO. 1 OF 2 |
| THIS DRAWING CONTAINS INFORMATION THAT IS PROPRIETARY TO MOLEX INCORPORATED AND SHOULD NOT BE USED WITHOUT WRITTEN PERMISSION. | | SIZE B |

| NUMBER OF CIRCUITS "XX" | DIM. "A" | | DIM. "B" | | DIM. "C" | | DIM. "D" | | ASSEMBLY MATERIAL NO. (STD) | ASSEMBLY MATERIAL NO. (OPT -10A) | ASSEMBLY MATERIAL NO. (OPT -49) | ASSEMBLY MATERIAL NO. (OPT -50) |
|-------------------------|----------|---------|----------|---------|----------|----------|----------|--------|-----------------------------|----------------------------------|---------------------------------|---------------------------------|
| 02 | 40.2 | 11.581 | 9.53 | 1.3751 | 28.58 | 11.1251 | 21.1 | 1.831 | 387200202 | 387290743 | 387200802 | 387201402 |
| 03 | 49.7 | 11.961 | 19.05 | 1.7501 | 38.10 | 11.5001 | 30.7 | 11.211 | 387200203 | | 387200803 | 387201403 |
| 04 | 59.2 | 12.331 | 28.58 | 11.1251 | 47.63 | 11.8751 | 40.2 | 11.581 | 387200204 | | 387200804 | 387201404 |
| 05 | 68.7 | 12.711 | 38.10 | 11.5001 | 57.15 | 12.2501 | 49.7 | 11.961 | 387200205 | | 387200805 | 387201405 |
| 06 | 78.3 | 13.081 | 47.63 | 11.8751 | 66.68 | 12.6251 | 59.2 | 12.331 | 387200206 | 387290389 | 387200806 | 387201406 |
| 07 | 87.8 | 13.461 | 57.15 | 12.2501 | 76.20 | 13.0001 | 68.8 | 12.711 | 387200207 | | 387200807 | 387201407 |
| 08 | 97.3 | 13.831 | 66.68 | 12.6251 | 85.73 | 13.3751 | 78.3 | 13.081 | 387200208 | | 387200808 | 387201408 |
| 09 | 106.8 | 14.211 | 76.20 | 13.0001 | 95.25 | 13.7501 | 87.8 | 13.461 | 387200209 | | 387200809 | 387201409 |
| 10 | 116.4 | 14.581 | 85.73 | 13.3751 | 104.78 | 14.1251 | 97.3 | 13.831 | 387200210 | | 387200810 | 387201410 |
| 11 | 125.9 | 14.961 | 95.25 | 13.7501 | 114.30 | 14.5001 | 106.9 | 14.211 | 387200211 | | 387200811 | 387201411 |
| 12 | 135.4 | 15.331 | 104.78 | 14.1251 | 123.83 | 14.8751 | 116.4 | 14.581 | 387200212 | 387290695 | 387200812 | 387201412 |
| 13 | 144.9 | 15.711 | 114.30 | 14.5001 | 133.35 | 15.2501 | 125.9 | 14.961 | 387200213 | | 387200813 | 387201413 |
| 14 | 154.5 | 16.081 | 123.83 | 14.8751 | 142.88 | 15.6251 | 135.4 | 15.331 | 387200214 | | 387200814 | 387201414 |
| 15 | 164.0 | 16.461 | 133.35 | 15.2501 | 152.40 | 16.0001 | 145.0 | 15.711 | 387200215 | | 387200815 | 387201415 |
| 16 | 173.5 | 16.831 | 142.88 | 15.6251 | 161.93 | 16.3751 | 154.5 | 16.081 | 387200216 | | 387200816 | 387201416 |
| 17 | 183.0 | 17.211 | 152.40 | 16.0001 | 171.45 | 16.7501 | 164.0 | 16.461 | 387200217 | | 387200817 | 387201417 |
| 18 | 192.6 | 17.581 | 161.93 | 16.3751 | 180.98 | 17.1251 | 173.5 | 16.831 | 387200218 | | 387200818 | 387201418 |
| 19 | 202.1 | 17.961 | 171.45 | 16.7501 | 190.50 | 17.5001 | 183.1 | 17.211 | 387200219 | | 387200819 | 387201419 |
| 20 | 211.6 | 18.331 | 180.98 | 17.1251 | 200.03 | 17.8751 | 192.6 | 17.581 | 387200220 | | 387200820 | 387201420 |
| 21 | 221.1 | 18.711 | 190.50 | 17.5001 | 209.55 | 18.2501 | 202.1 | 17.961 | 387200221 | | 387200821 | 387201421 |
| 22 | 230.7 | 19.081 | 200.03 | 17.8751 | 219.08 | 18.6251 | 211.6 | 18.331 | 387200222 | | 387200822 | 387201422 |
| 23 | 240.2 | 19.461 | 209.55 | 18.2501 | 228.60 | 19.0001 | 221.2 | 18.711 | 387200223 | | 387200823 | 387201423 |
| 24 | 249.7 | 19.831 | 219.08 | 18.6251 | 238.13 | 19.3751 | 230.7 | 19.081 | 387200224 | | 387200824 | 387201424 |
| 25 | 259.2 | 110.211 | 228.60 | 19.0001 | 247.65 | 19.7501 | 240.2 | 19.461 | 387200225 | | 387200825 | 387201425 |
| 26 | 268.8 | 110.581 | 238.13 | 19.3751 | 257.18 | 110.1251 | 249.7 | 19.831 | 387200226 | | 387200826 | 387201426 |

| | | | | | | | | | | | | | |
|---|---|--|--|---|--|--|---|---|--|------------------------|-----------|--------------------------|------------------|
| EC NO. SEE SHEET 1 DRAWN: CH:K: APPR: | DESCRIPTION MAJOR CRITICAL SPC | QUALITY SYMBOLS | | GENERAL TOLERANCES: (UNLESS SPECIFIED) | | SCALE: -- | DESIGN UNITS: <input type="checkbox"/> mm <input checked="" type="checkbox"/> INCH | THIRD ANGLE PROJECTION | DIMENSIONS: <input checked="" type="checkbox"/> mm <input type="checkbox"/> INCH <input type="checkbox"/> mm ONLY | | SHT: REV: | REVISE ON CAD ONLY | |
| | | DRAWN BY & DATE C. YORK 09-14-05 | | CHECKED BY & DATE | | APPROVED BY & DATE | | TITLE: 9.53mm (.375") SR BTS, CB ASSY | | MATERIAL NO. SEE CHART | | DRAWING NO. SD-38720-008 | SHEET NO. 2 OF 2 |
| | | ANGULAR: ±2° | | CAD FILENAME: 721XX | | THIS DRAWING CONTAINS INFORMATION THAT IS PROPRIETARY TO MOLEX INCORPORATED AND SHOULD NOT BE USED WITHOUT WRITTEN PERMISSION. | | SIZE: B | | | | | |
| | | DRAFT WHERE APPLICABLE MUST REMAIN WITHIN DIMENSIONS | | | | | | | | | | | |

X-ON Electronics

Largest Supplier of Electrical and Electronic Components

Click to view similar products for [Barrier Terminal Blocks](#) category:

Click to view products by [Molex](#) manufacturer:

Other Similar products are found below :

[CR151D20104](#) [670A-RZ-15-KT20](#) [6C1N03](#) [6PCR-02](#) [6PCR-02-008](#) [6PCR-05-008](#) [6PCR-08-008](#) [6PCR-09-008](#) [6PCR-13-006](#) [6PCR-15-006](#) [6PCR-21-006](#) [6PCV-06-008](#) [6PCV-06-716](#) [6PCV-09-001](#) [6PCV-10-009](#) [6PCV-15-008](#) [6PCV-17-1206](#) [6PCV-20-323](#) [6PCV-20-720](#) [6PCV-30-006](#) [6STR-06-006](#) [6STR-08-006](#) [6STR-12-008](#) [6STR-13-006](#) [6STR-14-008](#) [6STR-16-008](#) [6STR-17-008](#) [6STR-21-008](#) [6STR-25-008](#) [6STR-27-008](#) [6STV-03-006](#) [6STV-03-008](#) [6STV-04-006](#) [6STV-09-006](#) [6STV-10-006](#) [6WWR-03-693](#) [6WWV-12-008](#) [72212603](#) [72506-C](#) [72507-C-50](#) [73203](#) [75505-C](#) [75505-C-50](#) [75510-C](#) [77010-50](#) [7C1N08](#) [812-GP-3/4ST-09](#) [8-1437402-5](#) [8PCR-06-006](#) [8PCR-11-006](#)