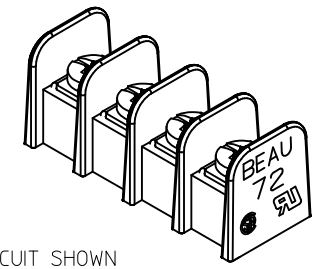
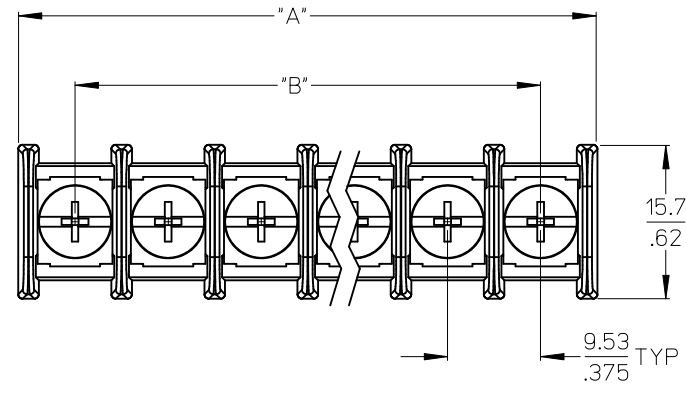
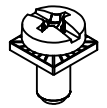
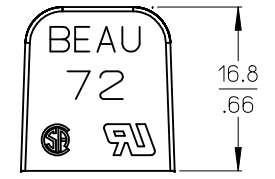
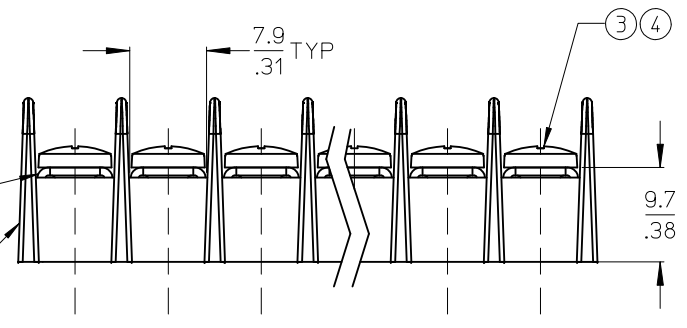


NO. OF CIRCUITS	DIM. "A"		DIM. "B"		ASSEMBLY MATERIAL NO. (STD. -C)	ASSEMBLY MATERIAL NO. (-C-50 OPT)
	mm	in	mm	in		
02	21.1	0.83	9.53	0.375	387200302	387202302
03	30.6	1.21	19.05	0.750	387200303	387202303
04	40.2	1.58	28.58	1.125	387200304	387202304
05	49.7	1.96	38.10	1.500	387200305	387202305
06	59.2	2.33	47.63	1.875	387200306	387202306
07	68.8	2.71	57.15	2.250	387200307	387202307
08	78.3	3.08	66.68	2.625	387200308	387202308
09	87.8	3.46	76.20	3.000	387200309	387202309
10	97.3	3.83	85.73	3.375	387200310	387202310
11	106.8	4.21	95.25	3.750	387200311	387202311
12	116.4	4.58	104.78	4.125	387200312	387202312
13	125.9	4.96	114.30	4.500	387200313	387202313
14	135.4	5.33	123.83	4.875	387200314	387202314
15	145.0	5.71	133.35	5.250	387200315	387202315
16	154.5	6.08	142.88	5.625	387200316	387202316
17	164.0	6.46	152.40	6.000	387200317	387202317
18	173.5	6.83	161.93	6.375	387200318	387202318
19	183.1	7.21	171.45	6.750	387200319	387202319
20	192.6	7.58	180.89	7.125	387200320	387202320
21	202.1	7.96	190.50	7.500	387200321	387202321
22	211.6	8.33	200.03	7.875	387200322	387202322
23	221.1	8.71	209.55	8.250	387200323	387202323
24	230.7	9.08	219.08	8.625	387200324	387202324
25	240.2	9.46	228.60	9.000	387200325	387202325
26	249.7	9.83	238.13	9.375	387200326	387202326



4 CIRCUIT SHOWN
SCALE 1.5:1



Ⓑ REF. -50 OPT. SCREW (ITEM 4)
(WHERE APPLICABLE)

NOTES:

1. MATERIAL: SEE TABLE.
2. FINISHES: SEE TABLE.
3. PRODUCT SPECIFICATION: NOT REQUIRED.
4. ROHS COMPLIANT.

ITEM	QTY.	DESCRIPTION	MATERIAL	FINISH
4	XX	SCREW W/WASHER, #6-32X.250 PAN, PH/SL (-50 OPT)	STEEL	ZN, CLEAR CHROMATE
3	XX	SCREW, #6-32X.250 BHD PH/SL (STANDARD)	STEEL	ZN, CLEAR CHROMATE
2	XX	TERMINAL, CB	BRASS	TIN PLATE
1	1	SR BTS INSULATOR, CB MO C	POLYESTER (PBT)	BLACK

ADD -C-50 MAT. NUMB.
EC NO: WNA2012-0001
DRAWN: JENC INAS 2011/07/04
CHKD: JMACNEIL
APPR: JMACNEIL 2011/09/07
DESCRIPTION

QUALITY SYMBOLS
▽=0
▽=0

GENERAL TOLERANCES (UNLESS SPECIFIED)

	mm	INCH
4 PLACES	± ---	± ---
3 PLACES	± ---	± .005
2 PLACES	± 0.13	± .01
1 PLACE	± 0.3	± ---

ANGULAR ± 2°

DRAFT WHERE APPLICABLE
MUST REMAIN
WITHIN DIMENSIONS

DIMENSION STYLE
MM/IN

SCALE
2:1

DESIGN UNITS
INCH

THIRD ANGLE PROJECTION

DRAWN BY J. ENCINAS DATE 2009/08/17
CHECKED BY C. YORK DATE 2009/08/17
APPROVED BY J. MACNEIL DATE 2009/08/17

TITLE
9.53MM [.375"] SR BTS
CB ASSY., NO MTG. ENDS

MATERIAL NO. SEE CHART
DOCUMENT NO. SD-38720-013

SHEET NO. 1 OF 1

THIS DRAWING CONTAINS INFORMATION THAT IS PROPRIETARY TO MOLEX INCORPORATED AND SHOULD NOT BE USED WITHOUT WRITTEN PERMISSION

X-ON Electronics

Largest Supplier of Electrical and Electronic Components

Click to view similar products for [Barrier Terminal Blocks](#) category:

Click to view products by [Molex](#) manufacturer:

Other Similar products are found below :

[CR151D20104](#) [670A-RZ-15-KT20](#) [6C1N03](#) [6PCR-02](#) [6PCR-02-008](#) [6PCR-05-008](#) [6PCR-08-008](#) [6PCR-09-008](#) [6PCR-13-006](#) [6PCR-15-006](#) [6PCR-21-006](#) [6PCV-06-008](#) [6PCV-06-716](#) [6PCV-09-001](#) [6PCV-10-009](#) [6PCV-15-008](#) [6PCV-17-1206](#) [6PCV-20-323](#) [6PCV-20-720](#) [6PCV-30-006](#) [6STR-06-006](#) [6STR-08-006](#) [6STR-12-008](#) [6STR-13-006](#) [6STR-14-008](#) [6STR-16-008](#) [6STR-17-008](#) [6STR-21-008](#) [6STR-25-008](#) [6STR-27-008](#) [6STV-03-006](#) [6STV-03-008](#) [6STV-04-006](#) [6STV-09-006](#) [6STV-10-006](#) [6WWR-03-693](#) [6WWV-12-008](#) [72212603](#) [72506-C](#) [72507-C-50](#) [73203](#) [75505-C](#) [75505-C-50](#) [75510-C](#) [77010-50](#) [7C1N08](#) [812-GP-3/4ST-09](#) [8-1437402-5](#) [8PCR-06-006](#) [8PCR-11-006](#)