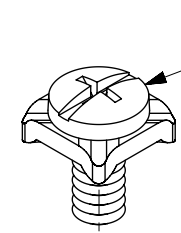
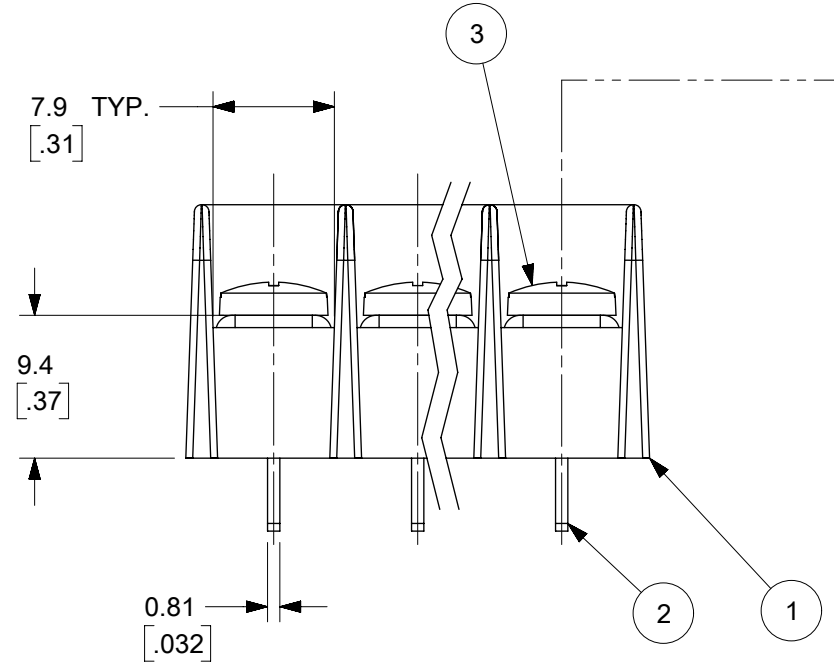
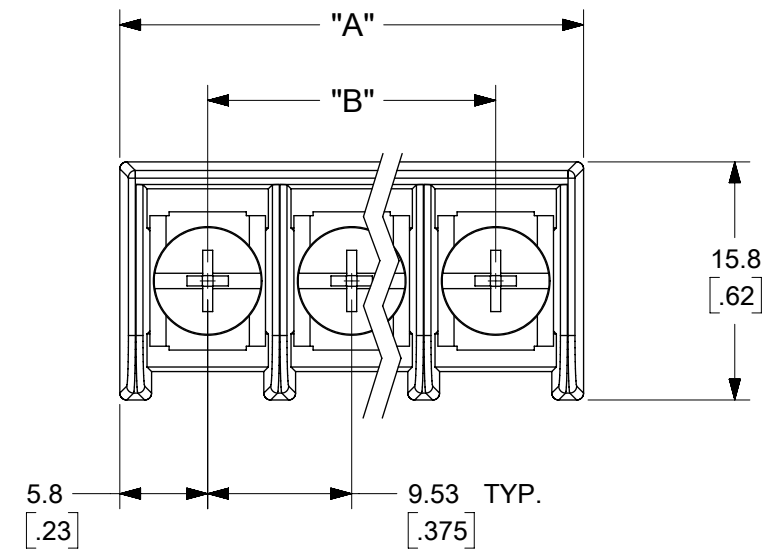


QTY. OF CIRCUITS "XX"	DIM "A"		DIM "B"		ASSEMBLY MATERIAL NO. (STANDARD)	ASSEMBLY MATERIAL NO. (-50 OPTION)
	MM	IN	MM	IN		
02	21.1	[.83]	9.53	[.375]	387244102	387244902
03	30.7	[1.21]	19.05	[.750]	387244103	387244903
04	40.2	[1.58]	28.58	[1.125]	387244104	387244904
05	49.7	[1.96]	38.10	[1.500]	387244105	387244905
06	59.2	[2.33]	47.63	[1.875]	387244106	387244906
07	68.8	[2.71]	57.15	[2.250]	387244107	387244907
08	78.3	[3.08]	66.68	[2.625]	387244108	387244908
09	87.8	[3.46]	76.20	[3.000]	387244109	387244909
10	97.3	[3.83]	85.73	[3.375]	387244110	387244910
11	106.9	[4.21]	95.25	[3.750]	387244111	387244911
12	116.4	[4.58]	104.78	[4.125]	387244112	387244912
13	125.9	[4.96]	114.30	[4.500]	387244113	387244913
14	135.4	[5.33]	123.83	[4.875]	387244114	387244914
15	145.0	[5.71]	133.35	[5.250]	387244115	387244915
16	154.5	[6.08]	142.88	[5.625]	387244116	387244916

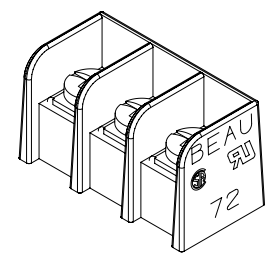
- NOTES:
1. MATERIAL: SEE TABLE
 2. FINISHES: SEE TABLE
 3. PRODUCT SPECIFICATION: NOT REQUIRED
 4. PACKAGING: NOT REQUIRED
 5. MATES WITH: NONE
 6. "XX" REFERS TO THE QUANTITY OF CIRCUITS.
 7. ALL COMPONENTS ARE ROHS COMPLIANT.

4	XX	SCREW W/WASHER, #6-32X.250, PANHD, PH-SL	STEEL	ZN, CLEAR CHROMATE
3	XX	SCREW, #6-32X.250, BHD, PHIL-SLOT	STEEL	ZN, CLEAR CHROMATE
2	XX	TERMINAL, PC	BRASS	TIN PLATE
1	1	INSULATOR, SR, CS, MOLDED, -C	PBT	BLACK
ITEM	QTY.	DESCRIPTION	MATERIAL	FINISH

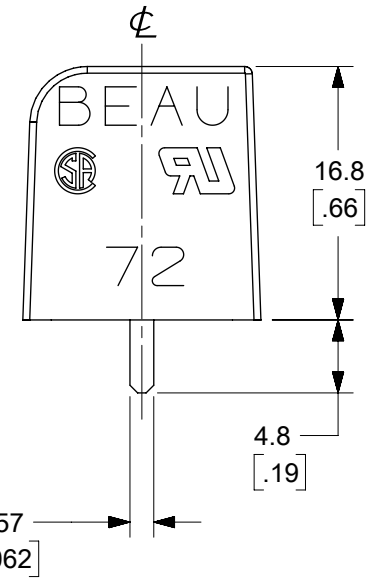
DOCUMENT STATUS P1 RELEASE DATE 2018/10/22 22:01:56



4 REF -50 OPTION (WHERE APPLICABLE)



ISOMETRIC VIEW
SCALE 1:1
3 CIRCUIT SHOWN



SYMBOLS		THIS DRAWING CONTAINS INFORMATION THAT IS PROPRIETARY TO MOLEX ELECTRONIC TECHNOLOGIES, LLC AND SHOULD NOT BE USED WITHOUT WRITTEN PERMISSION	
▽ = 0	DIMENSION UNITS	SCALE	CURRENT REV DESC: MIGRATION TO ECTR/NX AND P/N 387294904 CHANGED TO 387244904
▽ = 0	MM[INCH]	2:1	
▽ = 0	GENERAL TOLERANCES (UNLESS SPECIFIED)		
▽ = 0		MM	INCH
▽ = 0	4 PLACES	± 0.0015	± 0.0015
▽ = 0	3 PLACES	± 0.038	± 0.005
▽ = 0	2 PLACES	± 0.13	± 0.01
▽ = 0	1 PLACE	± 0.3	±
▽ = 0	0 PLACES	±	±
▽ = 0	ANGULAR TOL ± 2.0°		
▽ = 0	DRAFT WHERE APPLICABLE MUST REMAIN WITHIN DIMENSIONS		
▽ = 0	THIRD ANGLE PROJECTION	DRAWING	SERIES
		B-SIZE	38724
		EC NO: 605645	DRWN: ABENJAMINLW 2018/10/05
		CHK'D: MBRZOZOWSKI 2018/10/09	APPR: JFMURPHY 2018/10/22
		INITIAL REVISION:	
		DRWN: C. YORK 2006/03/24	APPR: RDEROSS 2006/03/24
		PRODUCT CUSTOMER DRAWING	
		DOCUMENT NUMBER	DOC TYPE DOC PART REVISION
		SD-38724-002	PSD 001 A1
		MATERIAL NUMBER	CUSTOMER
		SEE CHART	GENERAL MARKET
		SHEET NUMBER	
		1 OF 1	

X-ON Electronics

Largest Supplier of Electrical and Electronic Components

Click to view similar products for [Barrier Terminal Blocks](#) category:

Click to view products by [Molex](#) manufacturer:

Other Similar products are found below :

[CR151D20104](#) [670A-RZ-15-KT20](#) [6C1N03](#) [6PCR-02](#) [6PCR-02-008](#) [6PCR-05-008](#) [6PCR-08-008](#) [6PCR-09-008](#) [6PCR-13-006](#) [6PCR-15-006](#) [6PCR-21-006](#) [6PCV-06-008](#) [6PCV-06-716](#) [6PCV-09-001](#) [6PCV-10-009](#) [6PCV-15-008](#) [6PCV-17-1206](#) [6PCV-20-323](#) [6PCV-20-720](#) [6PCV-30-006](#) [6STR-06-006](#) [6STR-08-006](#) [6STR-12-008](#) [6STR-13-006](#) [6STR-14-008](#) [6STR-16-008](#) [6STR-17-008](#) [6STR-21-008](#) [6STR-25-008](#) [6STR-27-008](#) [6STV-03-006](#) [6STV-03-008](#) [6STV-04-006](#) [6STV-09-006](#) [6STV-10-006](#) [6WWR-03-693](#) [6WWV-12-008](#) [72212603](#) [72506-C](#) [72507-C-50](#) [73203](#) [75505-C](#) [75505-C-50](#) [75510-C](#) [77010-50](#) [7C1N08](#) [812-GP-3/4ST-09](#) [8-1437402-5](#) [8PCR-06-006](#) [8PCR-11-006](#)