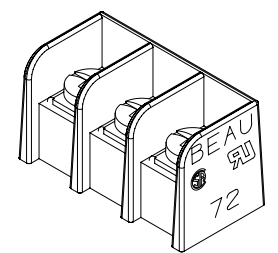
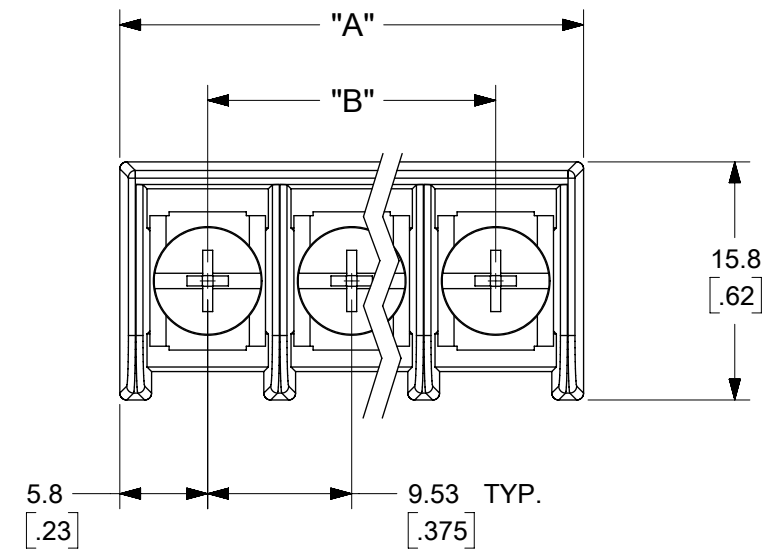


| QTY. OF CIRCUITS "XX" | DIM "A" | | DIM "B" | | ASSEMBLY MATERIAL NO. (STANDARD) | ASSEMBLY MATERIAL NO. (-50 OPTION) |
|-----------------------|---------|--------|---------|---------|----------------------------------|------------------------------------|
| | MM | IN | MM | IN | | |
| 02 | 21.1 | [.83] | 9.53 | [.375] | 387244102 | 387244902 |
| 03 | 30.7 | [1.21] | 19.05 | [.750] | 387244103 | 387244903 |
| 04 | 40.2 | [1.58] | 28.58 | [1.125] | 387244104 | 387244904 |
| 05 | 49.7 | [1.96] | 38.10 | [1.500] | 387244105 | 387244905 |
| 06 | 59.2 | [2.33] | 47.63 | [1.875] | 387244106 | 387244906 |
| 07 | 68.8 | [2.71] | 57.15 | [2.250] | 387244107 | 387244907 |
| 08 | 78.3 | [3.08] | 66.68 | [2.625] | 387244108 | 387244908 |
| 09 | 87.8 | [3.46] | 76.20 | [3.000] | 387244109 | 387244909 |
| 10 | 97.3 | [3.83] | 85.73 | [3.375] | 387244110 | 387244910 |
| 11 | 106.9 | [4.21] | 95.25 | [3.750] | 387244111 | 387244911 |
| 12 | 116.4 | [4.58] | 104.78 | [4.125] | 387244112 | 387244912 |
| 13 | 125.9 | [4.96] | 114.30 | [4.500] | 387244113 | 387244913 |
| 14 | 135.4 | [5.33] | 123.83 | [4.875] | 387244114 | 387244914 |
| 15 | 145.0 | [5.71] | 133.35 | [5.250] | 387244115 | 387244915 |
| 16 | 154.5 | [6.08] | 142.88 | [5.625] | 387244116 | 387244916 |

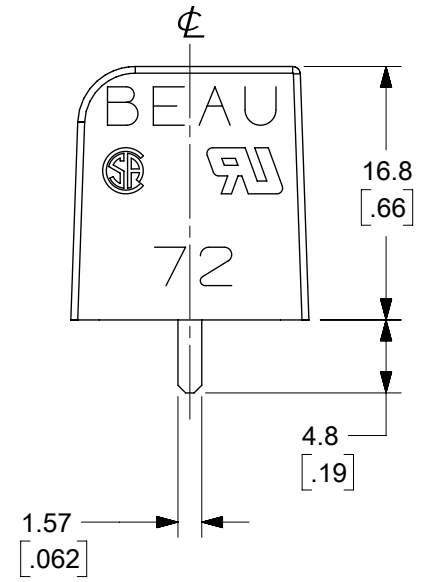
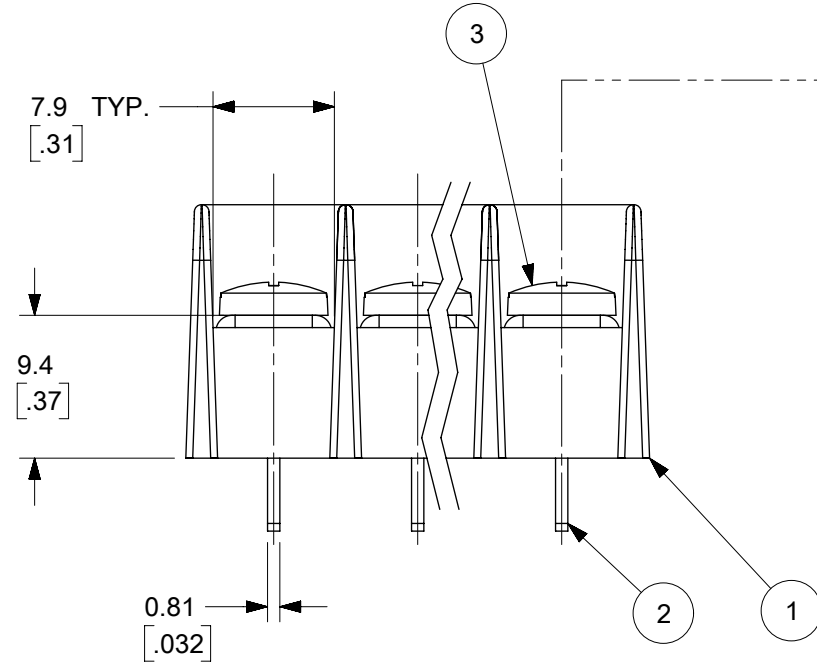
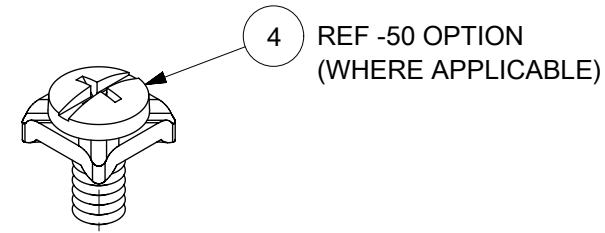
- NOTES:
1. MATERIAL: SEE TABLE
 2. FINISHES: SEE TABLE
 3. PRODUCT SPECIFICATION: NOT REQUIRED
 4. PACKAGING: NOT REQUIRED
 5. MATES WITH: NONE
 6. "XX" REFERS TO THE QUANTITY OF CIRCUITS.
 7. ALL COMPONENTS ARE ROHS COMPLIANT.

| 4 | XX | SCREW W/WASHER, #6-32X.250, PANHD, PH-SL | STEEL | ZN, CLEAR CHROMATE |
|------|------|--|----------|--------------------|
| 3 | XX | SCREW, #6-32X.250, BHD, PHIL-SLOT | STEEL | ZN, CLEAR CHROMATE |
| 2 | XX | TERMINAL, PC | BRASS | TIN PLATE |
| 1 | 1 | INSULATOR, SR, CS, MOLDED, -C | PBT | BLACK |
| ITEM | QTY. | DESCRIPTION | MATERIAL | FINISH |

DOCUMENT STATUS P1 RELEASE DATE 2018/10/22 22:01:56



ISOMETRIC VIEW
SCALE 1:1
3 CIRCUIT SHOWN



| SYMBOLS | | THIS DRAWING CONTAINS INFORMATION THAT IS PROPRIETARY TO MOLEX ELECTRONIC TECHNOLOGIES, LLC AND SHOULD NOT BE USED WITHOUT WRITTEN PERMISSION | |
|---------|-----|---|----------------------------|
| | = 0 | DIMENSION UNITS | SCALE |
| | = 0 | MM[INCH] | 2:1 |
| | = 0 | GENERAL TOLERANCES (UNLESS SPECIFIED) | |
| | = 0 | 4 PLACES | ± 0.0015 |
| | = 0 | 3 PLACES | ± 0.038 ± 0.005 |
| | = 0 | 2 PLACES | ± 0.13 ± 0.01 |
| | = 0 | 1 PLACE | ± 0.3 ± |
| | = 0 | 0 PLACES | ± |
| | = 0 | ANGULAR TOL ± 2.0° | |
| | = 0 | DRAFT WHERE APPLICABLE MUST REMAIN WITHIN DIMENSIONS | |
| | | THIRD ANGLE PROJECTION | DRAWING |
| | | | B-SIZE |
| | | SERIES | 38724 |
| | | CURRENT REV DESC: MIGRATION TO ECTR/NX AND P/N 387294904 CHANGED TO 387244904 | |
| | | EC NO: 605645 | |
| | | DRWN: ABENJAMINLW 2018/10/05 | |
| | | CHK'D: MBRZOZOWSKI 2018/10/09 | |
| | | APPR: JFMURPHY 2018/10/22 | |
| | | INITIAL REVISION: | |
| | | DRWN: C. YORK 2006/03/24 | |
| | | APPR: RDEROSS 2006/03/24 | |
| | | DOCUMENT NUMBER | DOC TYPE DOC PART REVISION |
| | | SD-38724-002 | PSD 001 A1 |
| | | MATERIAL NUMBER | CUSTOMER |
| | | SEE CHART | GENERAL MARKET |
| | | SHEET NUMBER | 1 OF 1 |

X-ON Electronics

Largest Supplier of Electrical and Electronic Components

Click to view similar products for [Barrier Terminal Blocks](#) category:

Click to view products by [Molex](#) manufacturer:

Other Similar products are found below :

[CR151D20104](#) [670A-RZ-15-KT20](#) [6C1N03](#) [6PCR-02](#) [6PCR-02-008](#) [6PCR-05-008](#) [6PCR-08-008](#) [6PCR-09-008](#) [6PCR-13-006](#) [6PCR-15-006](#) [6PCR-21-006](#) [6PCV-06-008](#) [6PCV-06-716](#) [6PCV-09-001](#) [6PCV-10-009](#) [6PCV-15-008](#) [6PCV-17-1206](#) [6PCV-20-323](#) [6PCV-20-720](#) [6PCV-30-006](#) [6STR-06-006](#) [6STR-08-006](#) [6STR-12-008](#) [6STR-13-006](#) [6STR-14-008](#) [6STR-16-008](#) [6STR-17-008](#) [6STR-21-008](#) [6STR-25-008](#) [6STR-27-008](#) [6STV-03-006](#) [6STV-03-008](#) [6STV-04-006](#) [6STV-09-006](#) [6STV-10-006](#) [6WWR-03-693](#) [6WWV-12-008](#) [72212603](#) [72506-C](#) [72507-C-50](#) [73203](#) [75505-C](#) [75505-C-50](#) [75510-C](#) [77010-50](#) [7C1N08](#) [812-GP-3/4ST-09](#) [8-1437402-5](#) [8PCR-06-006](#) [8PCR-11-006](#)