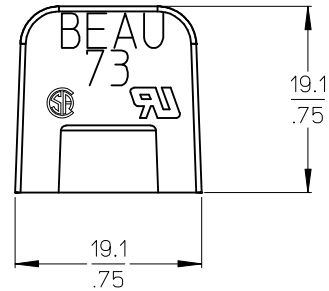
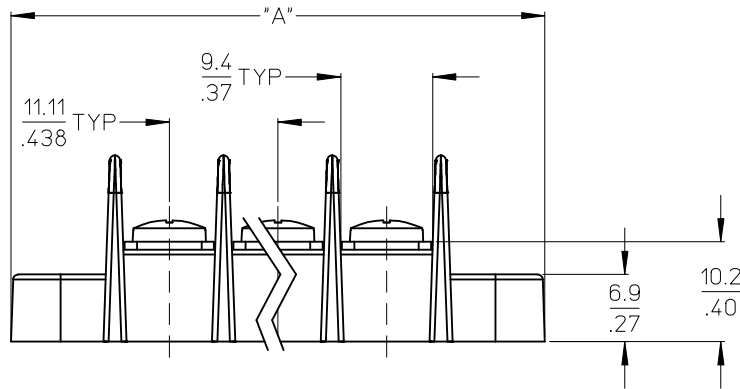


AUX. VIEW  
SCALE 1:1



NOTES:

- 1. MATERIAL: SEE TABLE
- 2. FINISHES: SEE TABLE
- 3. PRODUCT SPECIFICATION: AS REQUIRED
- 4. "XX" REFERES TO NUMBER OF CIRCUITS
- 5. ROHS COMPLIANT

| ITEM | QTY. | DESCRIPTION                                    | MATERIAL        | FINISH             |
|------|------|--|-----------------|--------------------|
| 5    | "XX" | SCREW,#6-32X.250,PAN,PH-SL W/SQ WSHR (-50 OPT) | STEEL (B)       | ZN, CLEAR CHROMATE |
| 4    | "XX" | SCREW,#6-32X.250,PAN,PHIL-SLOT (-49 OPT) (B)   | BRASS           | NICKEL PLATE       |
| 3    | "XX" | SCREW,#6-32X.250,BHD,PHIL-SLOT (STD)           | STEEL           | ZN, CLEAR CHROMATE |
| 2    | "XX" | TERMINAL, CLOSED BACK, 6C                      | BRASS           | TIN PLATE          |
| 1    | 1    | SR BTS CB MO MTG                               | POLYESTER (PBT) | BLACK              |

ADD -49 & -50 OPT  
 EC NO: WNA2009-0426  
 2009/02/06  
 DRWN: ENC INAS  
 2009/02/10  
 CHKD: CYORK  
 2009/02/10  
 APPR: JMACNEIL

QUALITY SYMBOLS  
 ▽=0  
 ▽=0

GENERAL TOLERANCES (UNLESS SPECIFIED)

|          | mm     | INCH   |
|----------|--------|--------|
| 4 PLACES | ± ---  | ± ---  |
| 3 PLACES | ± ---  | ± .005 |
| 2 PLACES | ± 0.13 | ± .01  |
| 1 PLACE  | ± .3   | ± ---  |

ANGULAR ± 2 °

DRAFT WHERE APPLICABLE  
 MUST REMAIN  
 WITHIN DIMENSIONS

DIMENSION STYLE  
**MM/IN**

DRAWN BY DATE  
 JENCINAS 2008/03/20

CHECKED BY DATE  
 CYORK 2008/03/20

APPROVED BY DATE  
 JMACNEIL 2008/03/20

MATERIAL NO.

SCALE  
**2:1**

DESIGN UNITS  
**INCH**

THIRD ANGLE PROJECTION

TITLE  
**.438" SINGLE ROW PCB  
 BARRIER TERMINAL STRIP**

MATERIAL NO. **MOLEX INCORPORATED**

DOCUMENT NO. **SD-38730-005**

SHEET NO.  
**1 OF 2**

THIS DRAWING CONTAINS INFORMATION THAT IS PROPRIETARY TO MOLEX INCORPORATED AND SHOULD NOT BE USED WITHOUT WRITTEN PERMISSION

| NUMBER OF CIRCUITS | "A" DIM.        | "B" DIM.        | "C" DIM.        | MATERIAL NO. (STD) | MATERIAL NO. (-49X) (B) | MATERIAL NO. (-50X) (B) |
|--------------------|-----------------|-----------------|-----------------|--------------------|-------------------------|-------------------------|
| 02                 | 43.51 [1.713]   | 11.12 [.438]    | 33.35 [1.313]   | 387300102          | 387300702               | 387301302               |
| 03                 | 54.62 [2.150]   | 22.21 [.874]    | 44.50 [1.752]   | 387300103          | 387300703               | 387301303               |
| 04                 | 65.73 [2.587]   | 33.30 [1.311]   | 55.63 [2.190]   | 387300104          | 387300704               | 387301304               |
| 05                 | 76.84 [3.024]   | 44.39 [1.748]   | 66.75 [2.628]   | 387300105          | 387300705               | 387301305               |
| 06                 | 87.95 [3.461]   | 55.48 [2.185]   | 77.88 [3.066]   | 387300106          | 387300706               | 387301306               |
| 07                 | 99.06 [3.898]   | 66.58 [2.622]   | 89.00 [3.504]   | 387300107          | 387300707               | 387301307               |
| 08                 | 110.17 [4.335]  | 77.66 [3.059]   | 100.13 [3.942]  | 387300108          | 387300708               | 387301308               |
| 09                 | 121.28 [4.772]  | 88.75 [3.496]   | 111.25 [4.380]  | 387300109          | 387300709               | 387301309               |
| 10                 | 132.39 [5.209]  | 99.84 [3.933]   | 122.38 [4.818]  | 387300110          | 387300710               | 387301310               |
| 11                 | 143.50 [5.646]  | 110.94 [4.370]  | 133.50 [5.256]  | 387300111          | 387300711               | 387301311               |
| 12                 | 154.61 [6.083]  | 122.02 [4.807]  | 144.63 [5.694]  | 387300112          | 387300712               | 387301312               |
| 13                 | 165.72 [6.520]  | 133.12 [5.244]  | 155.75 [6.132]  | 387300113          | 387300713               | 387301313               |
| 14                 | 176.83 [6.957]  | 144.20 [5.681]  | 166.88 [6.570]  | 387300114          | 387300714               | 387301314               |
| 15                 | 187.94 [7.394]  | 155.30 [6.118]  | 178.00 [7.008]  | 387300115          | 387300715               | 387301315               |
| 16                 | 199.05 [7.831]  | 166.38 [6.555]  | 189.13 [7.446]  | 387300116          | 387300716               | 387301316               |
| 17                 | 210.16 [8.268]  | 177.48 [6.992]  | 200.25 [7.884]  | 387300117          | 387300717               | 387301317               |
| 18                 | 221.27 [8.705]  | 188.56 [7.429]  | 211.38 [8.322]  | 387300118          | 387300718               | 387301318               |
| 19                 | 232.38 [9.142]  | 199.65 [7.866]  | 222.50 [8.760]  | 307300119          | 307300719               | 307301319               |
| 20                 | 243.49 [9.579]  | 210.74 [8.303]  | 233.63 [9.198]  | 387300120          | 387300720               | 387301320               |
| 21                 | 254.60 [10.016] | 221.84 [8.740]  | 244.75 [9.636]  | 387300121          | 387300721               | 387301321               |
| 22                 | 265.71 [10.453] | 232.92 [9.177]  | 255.88 [10.074] | 387300122          | 387300722               | 387301322               |
| 23                 | 276.82 [10.890] | 244.02 [9.614]  | 267.00 [10.512] | 387300123          | 387300723               | 387301323               |
| 24                 | 287.93 [11.327] | 255.10 [10.051] | 278.13 [10.950] | 387300124          | 387300724               | 387301324               |
| 25                 | 299.04 [11.764] | 266.20 [10.488] | 289.26 [11.388] | 387300125          | 387300725               | 387301325               |
| 26                 | 310.15 [12.201] | 277.49 [10.925] | 300.38 [11.826] | 387300126          | 387300726               | 387301326               |

|   |                               |  |         |                          |                    |  |                      |                        |  |
|---|-------------------------------|--|---------|--------------------------|--------------------|--|----------------------|------------------------|--|
| SEE SHEET ONE<br>EC NO: WNA2009-0426<br>DRAWN: JENCINAS 2009/02/06<br>CHKD: CYORK 2009/02/10<br>APPR: JMACNEIL 2009/02/10 | QUALITY SYMBOLS<br>▽=0<br>▽=0 | GENERAL TOLERANCES (UNLESS SPECIFIED)  |         | DIMENSION STYLE<br>MM/IN |                    | SCALE<br>2:1   | DESIGN UNITS<br>INCH | THIRD ANGLE PROJECTION |  |
|   |                               | 4 PLACES ± .--- ± .---<br>3 PLACES ± .--- ± .005<br>2 PLACES ± 0.13 ± .01<br>1 PLACE ± .3 ± .--- | mm INCH | DRAWN BY<br>JENCINAS     | DATE<br>2008/03/20 | TITLE<br>.438" SINGLE ROW PCB BARRIER TERMINAL STRIP |                      |                        |  |
|   |                               | ANGULAR ± 2 °  |         | CHECKED BY<br>CYORK      | DATE<br>2008/03/20 |  |                      |                        |  |
|   |                               | DRAFT WHERE APPLICABLE MUST REMAIN WITHIN DIMENSIONS   |         | SEE CHART                |                    | APPROVED BY<br>JMACNEIL                              | DATE<br>2008/03/20   | MOLEX INCORPORATED     |  |
|   |                               |  |         | MATERIAL NO.             |                    | DOCUMENT NO.<br>SD-38730-005                         |                      |                        |  |

## X-ON Electronics

Largest Supplier of Electrical and Electronic Components

*Click to view similar products for [Barrier Terminal Blocks](#) category:*

*Click to view products by [Molex](#) manufacturer:*

Other Similar products are found below :

[CR151D20104](#) [670A-RZ-15-KT20](#) [6C1N03](#) [6PCR-02](#) [6PCR-02-008](#) [6PCR-05-008](#) [6PCR-08-008](#) [6PCR-09-008](#) [6PCR-13-006](#) [6PCR-15-006](#) [6PCR-21-006](#) [6PCV-06-008](#) [6PCV-06-716](#) [6PCV-09-001](#) [6PCV-10-009](#) [6PCV-15-008](#) [6PCV-17-1206](#) [6PCV-20-323](#) [6PCV-20-720](#) [6PCV-30-006](#) [6STR-06-006](#) [6STR-08-006](#) [6STR-12-008](#) [6STR-13-006](#) [6STR-14-008](#) [6STR-16-008](#) [6STR-17-008](#) [6STR-21-008](#) [6STR-25-008](#) [6STR-27-008](#) [6STV-03-006](#) [6STV-03-008](#) [6STV-04-006](#) [6STV-09-006](#) [6STV-10-006](#) [6WWR-03-693](#) [6WWV-12-008](#) [72212603](#) [72506-C](#) [72507-C-50](#) [73203](#) [75505-C](#) [75505-C-50](#) [75510-C](#) [77010-50](#) [7C1N08](#) [812-GP-3/4ST-09](#) [8-1437402-5](#) [8PCR-06-006](#) [8PCR-11-006](#)