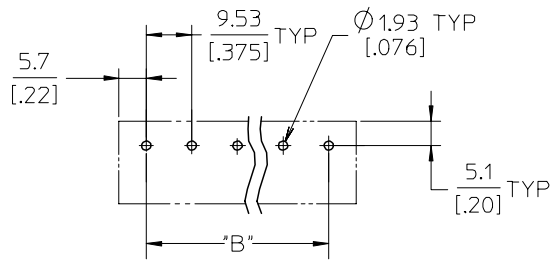
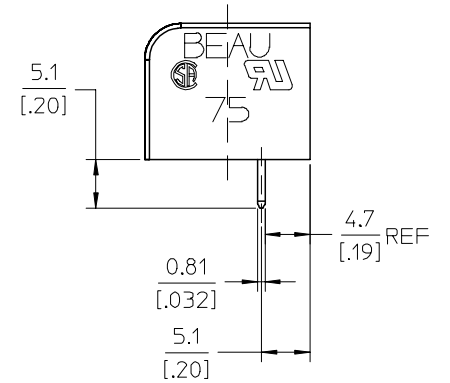
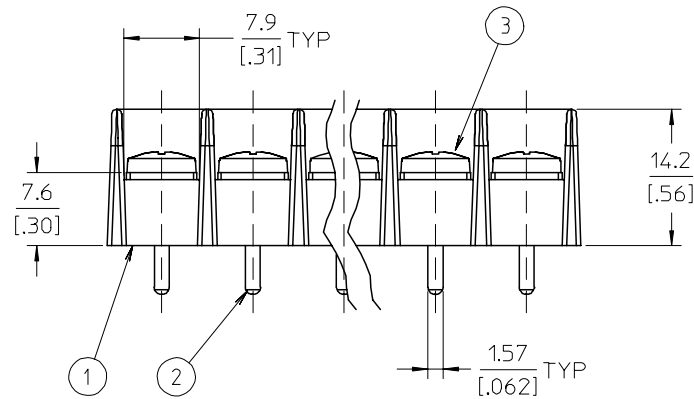
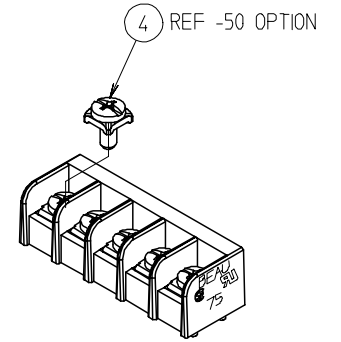
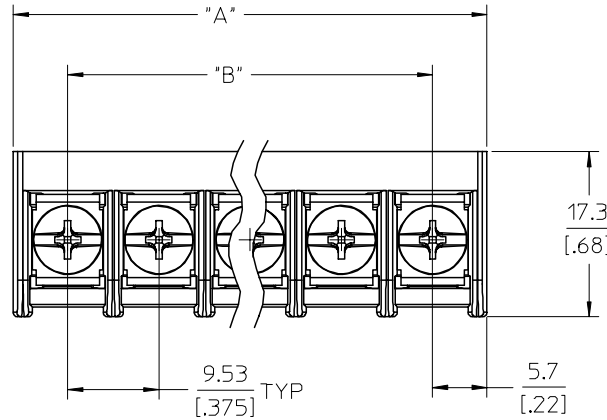


| NO. OF CIRCUITS | DIMENSION "A" | | DIMENSION "B" | | MATERIAL NO. -C OPTION | MATERIAL NO. -C, -50 OPTION |
|-----------------|---------------|--------|---------------|---------|------------------------|-----------------------------|
| 02 | 20.9 | [0.82] | 9.53 | [.375] | 387506302 | 387507502 |
| 03 | 30.4 | [1.20] | 19.05 | [.750] | 387506303 | 387507503 |
| 04 | 39.9 | [1.57] | 28.58 | [1.125] | 387506304 | 387507504 |
| 05 | 49.5 | [1.95] | 38.10 | [1.500] | 387506305 | 387507505 |
| 06 | 59.0 | [2.32] | 47.63 | [1.875] | 387506306 | 387507506 |
| 07 | 68.5 | [2.70] | 57.15 | [2.250] | 387506307 | 387507507 |
| 08 | 78.0 | [3.07] | 66.68 | [2.625] | 387506308 | 387507508 |
| 09 | 87.6 | [3.45] | 76.20 | [3.000] | 387506309 | 387507509 |
| 10 | 97.1 | [3.82] | 85.73 | [3.375] | 387506310 | 387507510 |
| 11 | 106.6 | [4.20] | 95.25 | [3.750] | 387506311 | 387507511 |
| 12 | 116.1 | [4.57] | 104.78 | [4.125] | 387506312 | 387507512 |
| 13 | 125.7 | [4.95] | 114.30 | [4.500] | 387506313 | 387507513 |
| 14 | 135.2 | [5.32] | 123.83 | [4.875] | 387506314 | 387507514 |
| 15 | 144.7 | [5.70] | 133.35 | [5.250] | 387506315 | 387507515 |
| 16 | 154.2 | [6.07] | 142.88 | [5.625] | 387506316 | 387507516 |
| 17 | 163.8 | [6.45] | 152.40 | [6.000] | 387506317 | 387507517 |
| 18 | 173.3 | [6.82] | 161.93 | [6.375] | 387506318 | 387507518 |
| 19 | 182.8 | [7.20] | 171.45 | [6.750] | 387506319 | 387507519 |
| 20 | 192.3 | [7.57] | 180.98 | [7.125] | 387506320 | 387507520 |
| 21 | 201.9 | [7.95] | 190.50 | [7.500] | 387506321 | 387507521 |
| 22 | 211.4 | [8.32] | 200.03 | [7.875] | 387506322 | 387507522 |
| 23 | 220.9 | [8.70] | 209.55 | [8.250] | 387506323 | 387507523 |
| 24 | 230.4 | [9.07] | 219.08 | [8.625] | 387506324 | 387507524 |
| 25 | 240.0 | [9.45] | 228.60 | [9.000] | 387506325 | 387507525 |
| 26 | 249.5 | [9.82] | 238.13 | [9.375] | 387506326 | 387507526 |



NOTES:

1. MATERIAL: SEE TABLE
2. FINISHES: SEE TABLE
3. PRODUCT SPECIFICATION: NOT REQUIRED
4. INCH DIMENSIONS ARE SHOWN IN BRACKETS [XXX].
5. "XX" REFERS TO QUANTITY OF CIRCUITS.
6. PACKAGING: NOT REQUIRED
7. MATES WITH: NOT APPLICABLE

| ITEM | QTY | DESCRIPTION | MATERIAL | FINISH |
|------|-----|---|---------------|---------------|
| 4 | XX | SCREW W/SO WASHER, #6-32X.250, PHIL-SLOT, -50 | STEEL | ZINC CHROMATE |
| 3 | XX | SCREW, #6-32X.250, BHD, PHIL-SLOT, STD | STEEL | ZINC CHROMATE |
| 2 | XX | TERMINAL, PC | BRASS | TIN PLATE |
| 1 | 1 | INSULATOR | THERMOPLASTIC | BLACK |

INITIAL RELEASE
EC NO: ETC2006-0227
DRW:HEHLE 2006/02/06
CHKD:RDEROSS 2006/02/07
APPR:RDEROSS 2006/02/09

QUALITY SYMBOLS
▽=0
▽=0

GENERAL TOLERANCES (UNLESS SPECIFIED)

| | mm | INCH |
|----------|--------|--------|
| 4 PLACES | ± --- | ±.0015 |
| 3 PLACES | ±0.038 | ±.005 |
| 2 PLACES | ±0.13 | ±.01 |
| 1 PLACE | ±0.3 | ± --- |

ANGULAR ± 2 °

DRAFT WHERE APPLICABLE
MUST REMAIN WITHIN DIMENSIONS

DIMENSION STYLE
MM/IN

DRAWN BY: EHILE DATE: 2006/02/06
CHECKED BY: RDEROSS DATE: 2006/02/06
APPROVED BY: RDEROSS DATE: 2006/02/06

MATERIAL NO. SEE CHART

SCALE 2:1
DESIGN UNITS INCH
THIRD ANGLE PROJECTION

TITLE 9.53MM [.375] SR BTS, PC, CS ASSY, -C, -50

MOLEX INCORPORATED

DOCUMENT NO. SD-38750-003 SHEET NO. 1 OF 1

THIS DRAWING CONTAINS INFORMATION THAT IS PROPRIETARY TO MOLEX INCORPORATED AND SHOULD NOT BE USED WITHOUT WRITTEN PERMISSION

X-ON Electronics

Largest Supplier of Electrical and Electronic Components

Click to view similar products for [Barrier Terminal Blocks](#) category:

Click to view products by [Molex](#) manufacturer:

Other Similar products are found below :

[CR151D20104](#) [670A-RZ-15-KT20](#) [6C1N03](#) [6PCR-02](#) [6PCR-02-008](#) [6PCR-05-008](#) [6PCR-08-008](#) [6PCR-09-008](#) [6PCR-13-006](#) [6PCR-15-006](#) [6PCR-21-006](#) [6PCV-06-008](#) [6PCV-06-716](#) [6PCV-09-001](#) [6PCV-10-009](#) [6PCV-15-008](#) [6PCV-17-1206](#) [6PCV-20-323](#) [6PCV-20-720](#) [6PCV-30-006](#) [6STR-06-006](#) [6STR-08-006](#) [6STR-12-008](#) [6STR-13-006](#) [6STR-14-008](#) [6STR-16-008](#) [6STR-17-008](#) [6STR-21-008](#) [6STR-25-008](#) [6STR-27-008](#) [6STV-03-006](#) [6STV-03-008](#) [6STV-04-006](#) [6STV-09-006](#) [6STV-10-006](#) [6WWR-03-693](#) [6WWV-12-008](#) [72212603](#) [72506-C](#) [72507-C-50](#) [73203](#) [75505-C](#) [75505-C-50](#) [75510-C](#) [77010-50](#) [7C1N08](#) [812-GP-3/4ST-09](#) [8-1437402-5](#) [8PCR-06-006](#) [8PCR-11-006](#)