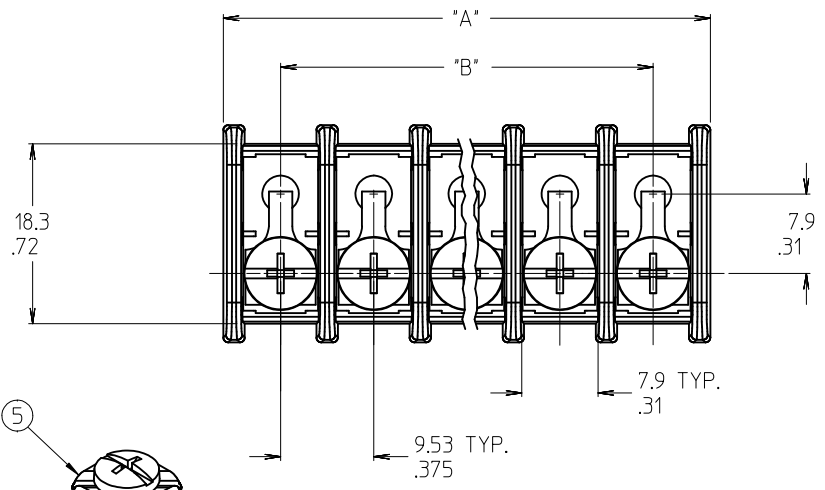
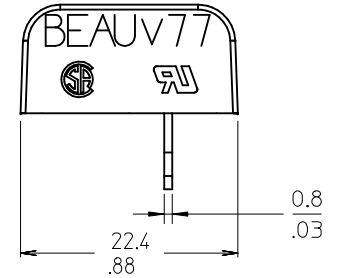
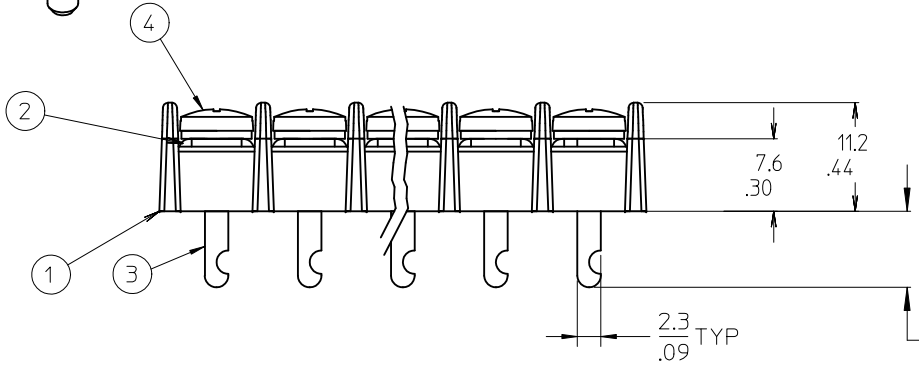
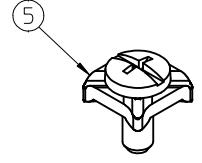


NO. OF CIRCUITS "XX"	DIM. "A"		DIM. "B"		ASSEMBLY MATERIAL NO. (STANDARD)	ASSEMBLY MATERIAL NO. (-50 OPTION)
2	21.3	.84	9.53	.375	387790231	387790371
3	30.8	1.21	19.05	.750		387790140
4	40.3	1.59	28.58	1.125		387790250
5	49.8	1.96	38.10	1.500		387790031
6	59.4	2.34	47.63	1.875	387790004	387790369
7	68.9	2.71	57.15	2.250	387790052	
8	78.4	3.09	66.68	2.625		387790142
9	87.9	3.46	76.20	3.000		387790224
10	97.5	3.84	85.73	3.375	387790091	



REF -50 OPTION SCREW (WHERE APPLICABLE)



- NOTES:
1. MATERIAL: SEE TABLE
 2. FINISHES: SEE TABLE
 3. DIMENSION SHOWN IN MM/INCH.
 4. "XX" REFERS TO THE QUANTITY OF CIRCUITS.
 5. ASSEMBLY IS ROHS COMPLIANT.

ITEM	QTY	DESCRIPTION	MATERIAL	FINISH
5	XX	SCREW, #6-32X.250 PAN HD, PHIL-SLOT W/WSHR (-50 OPTION)	STEEL	ZN, CLEAR CHROMATE
4	XX	SCREW, #6-32X.250, BGHD PHIL-SLOT (STANDARD)	STEEL	ZN, CLEAR CHROMATE
3	XX	TERMINAL, SOLDER Y	BRASS	TIN PLATE
2	XX	TERMINAL PLATE	BRASS	NICKEL PLATE
1	1	INSULATOR, NO MTG.	PBT	BLACK

UPDATE TERM. TAIL DIM./TOL. EC NO: WNA2012-0134 DRAWN: JENC INAS 2011/10/11 CHKD: JMACNEIL 2011/10/11 APPR: JMACNEIL 2011/10/17	QUALITY SYMBOLS ▽=0 ▽=0
---	-------------------------------

GENERAL TOLERANCES (UNLESS SPECIFIED)	DIMENSION STYLE MM/IN
4 PLACES ± --- ± ---	DRAWN BY DATE C. YORK 2006/10/25
3 PLACES ± --- ± .005	CHECKED BY DATE J. MACNEIL 2006/10/25
2 PLACES ± 0.13 ± .01	APPROVED BY DATE J. MACNEIL 2006/10/25
1 PLACE ± 0.3 ± ---	MATERIAL NO.
ANGULAR ± 2 °	

SCALE 2:1	DESIGN UNITS INCH	THIRD ANGLE PROJECTION
TITLE 9.53/.375 DOUBLE ROW LOW PROFILE BTS ASSY, NO MTG.		
MOLEX INCORPORATED		
DOCUMENT NO. SD-38779-006	SHEET NO. 1 OF 1	

SEE CHART
THIS DRAWING CONTAINS INFORMATION THAT IS PROPRIETARY TO MOLEX INCORPORATED AND SHOULD NOT BE USED WITHOUT WRITTEN PERMISSION

X-ON Electronics

Largest Supplier of Electrical and Electronic Components

Click to view similar products for [Barrier Terminal Blocks](#) category:

Click to view products by [Molex](#) manufacturer:

Other Similar products are found below :

[CR151D20104](#) [670A-RZ-15-KT20](#) [6C1N03](#) [6PCR-02](#) [6PCR-02-008](#) [6PCR-05-008](#) [6PCR-08-008](#) [6PCR-09-008](#) [6PCR-13-006](#) [6PCR-15-006](#) [6PCR-21-006](#) [6PCV-06-008](#) [6PCV-06-716](#) [6PCV-09-001](#) [6PCV-10-009](#) [6PCV-15-008](#) [6PCV-17-1206](#) [6PCV-20-323](#) [6PCV-20-720](#) [6PCV-30-006](#) [6STR-06-006](#) [6STR-08-006](#) [6STR-12-008](#) [6STR-13-006](#) [6STR-14-008](#) [6STR-16-008](#) [6STR-17-008](#) [6STR-21-008](#) [6STR-25-008](#) [6STR-27-008](#) [6STV-03-006](#) [6STV-03-008](#) [6STV-04-006](#) [6STV-09-006](#) [6STV-10-006](#) [6WWR-03-693](#) [6WWV-12-008](#) [72212603](#) [72506-C](#) [72507-C-50](#) [73203](#) [75505-C](#) [75505-C-50](#) [75510-C](#) [77010-50](#) [7C1N08](#) [812-GP-3/4ST-09](#) [8-1437402-5](#) [8PCR-06-006](#) [8PCR-11-006](#)