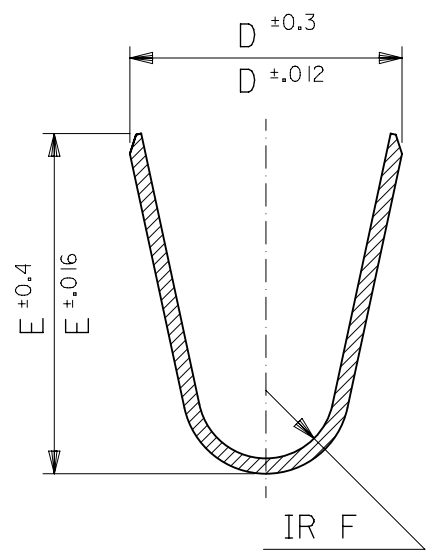
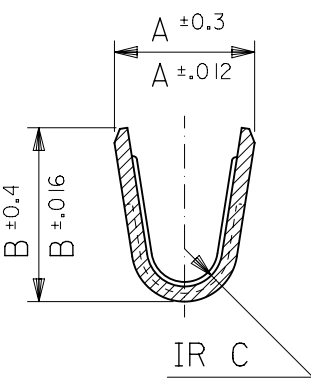
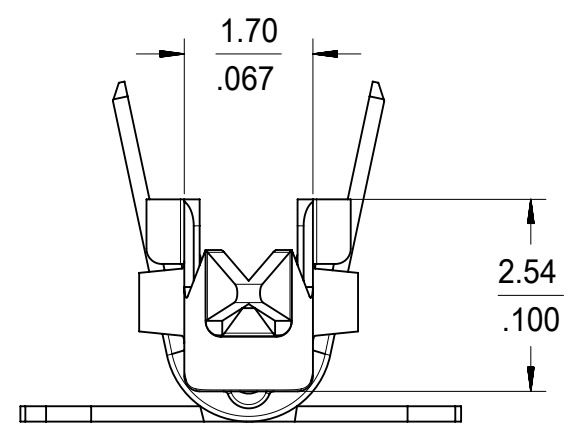
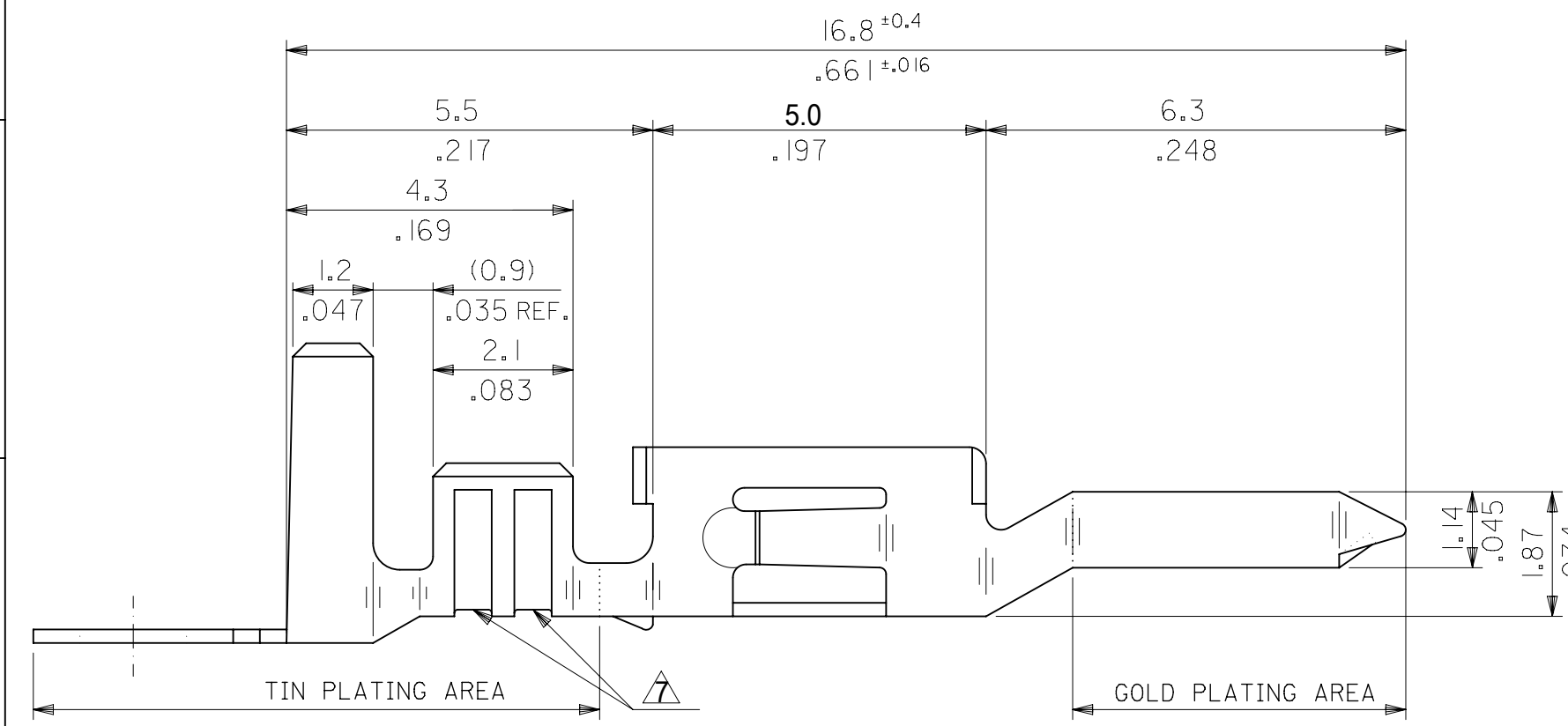
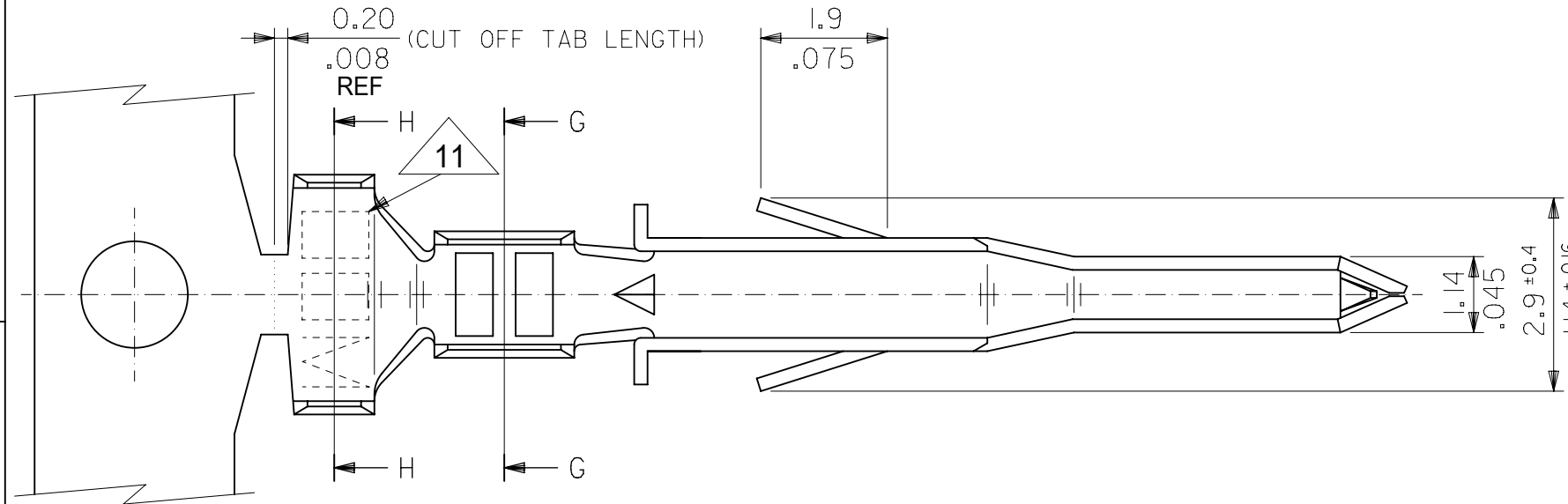


NOTES

1. MATERIAL: SEE CHART
2. FINISH: SEE CHART
3. PRODUCT SPECIFICATION: PS-5556-001, PS-5556-002, PS-5556-003.
4. PACKAGING SPECIFICATION: PK-5558-001 FOR CHAIN
PK-5556-003 FOR LOOSE
5. MATES WITH TERMINAL: 5556 SERIES.
6. APPLICABLE HOUSING: 5559, 30068, 42475 SERIES.
7. THE NUMBER OF SERRATIONS TO BE ONE FOR WIRE RANGE #22-28.
8. WHEN TERMINALS ARE INSTALLED IN THE HOUSING THE WIRES ARE TO BE DRESSED IN SUCH A MANNER TO ALLOW THE TERMINALS TO FLOAT FREELY IN THE POCKET.
9. THIS TERMINAL IS DESIGNED FOR SINGLE WIRE CRIMPING.
10. PART CONFORMS TO CLASS "B" REQUIREMENTS OF COSMETIC SPECIFICATION PS-45499-002.
11. TEXT ON PART IS FOR REFERENCE ONLY. TEXT AND TEXT LOCATION MAY VARY DEPENDING ON PART NUMBER AND/OR TOOL.



SECT. G-G

SECT. H-H

#18-24 TERMINAL SHOWN

QUALITY SYMBOLS ▽ = 0 ▽ = 0 ▽ = 0 ▽ = 0 ▽ = 0 ▽ = 0 ▽ = 0 ▽ = 0 ▽ = 0	THIS DRAWING CONTAINS INFORMATION THAT IS PROPRIETARY TO MOLEX ELECTRONIC TECHNOLOGIES, LLC AND SHOULD NOT BE USED WITHOUT WRITTEN PERMISSION			
	ADD NOTE 11 EC NO: 120853 DRWN: BAPPELDORN CHK'D: JBELL REV APPR: FSMITH	2017/08/18 2017/08/28 2017/09/07	GENERAL TOLERANCES (UNLESS SPECIFIED) DIMENSION UNITS: MM/IN SCALE: 10:1	DRWN BY: H. HIRAMOTO DATE: 1991/03/13 CHK'D BY: M. FUKUSHIMA DATE: 1992/05/21 APPR BY: FSMITH DATE: 2010/04/09
		4 PLACES ± ± 3 PLACES ± ± 0.01 2 PLACES ± 0.25 ± 0.01 1 PLACES ± 0.25 ± 0 PLACES ± ±	ANGULAR TOL ± 3.0 DRAFT WHERE APPLICABLE MUST REMAIN WITHIN DIMENSIONS	DRAWING SIZE: B THIRD ANGLE PROJECTION
			PRODUCT CUSTOMER DRAWING SERIES: 5558 MATERIAL NUMBER: SEE CHART CUSTOMER: GENERAL MARKET	DOCUMENT NUMBER: SD-5558-002 DOC TYPE: PSD DOC PART: 001 SHEET NUMBER: 1 OF 2

MATERIAL	FINISH	F	E	D	C	B	A	INS. RANGE	WIRE RANGE	EDP NO.	ENG NO.	FORM	
PHOSPHOR BRONZE	SELECTIVE GOLD 0.76µm /30m.i. MIN. AND SELECTIVE TIN 2.03µm /80m.i. MIN. OVER NICKEL 1.27µm /50m.i. MIN.	0.9 .035	4.5 .177	3.6 .142	0.6 .024	2.7 .106	2.3 .091	∅ 3.1 .122 MAX.	# 16	39-00-0224 ▲ -0223	5558 PBGS3L ▲ PBGS3	LOOSE CHAIN	
		0.6 .024	2.3 .091	2.3 .091	0.4 .016	1.65 .065	1.8 .071	∅ 0.9-1.8 .035-.071	#22-28	-0222 -0221	PBGS2L PBGS2	LOOSE CHAIN	
		0.9 .035	4.5 .177	3.6 .142	0.5 .020	2.3 .091	1.9 .075	∅ 1.3-3.1 .051-.122	# 18-24	-0220 -0219	PBGS� PBGS	LOOSE CHAIN	
	BRASS	SELECTIVE GOLD 1.27µm /50m.i. MIN. AND SELECTIVE TIN 2.54µm /100m.i. MIN. OVER NICKEL 1.27µm /50m.i. MIN.	0.9 .035	4.5 .177	3.6 .142	0.6 .024	2.7 .106	2.3 .091	∅ 3.1 .122 MAX.	# 16	-0148 -0147	GS9L GS9	LOOSE CHAIN
			0.6 .024	2.3 .091	2.3 .091	0.4 .016	1.65 .065	1.8 .071	∅ 0.9-1.8 .035-.071	#22-28	▼ -0146	GS8L	LOOSE
			0.9 .035	4.5 .177	3.6 .142	0.5 .020	2.3 .091	1.9 .075	∅ 1.3-3.1 .051-.122	# 18-24	39-00-0145 40-13-0854 40-13-0853	GS8 GS7L GS7	CHAIN LOOSE CHAIN
		SELECTIVE GOLD 0.38µm /15m.i. MIN. AND SELECTIVE TIN 2.03µm /80m.i. MIN. OVER NICKEL 1.27µm /50m.i. MIN.	0.9 .035	4.5 .177	3.6 .142	0.6 .024	2.7 .106	2.3 .091	∅ 3.1 .122 MAX.	# 16	39-00-0100 ▲ -0099	GS6L GS6	LOOSE CHAIN
			0.6 .024	2.3 .091	2.3 .091	0.4 .016	1.65 .065	1.8 .071	∅ 0.9-1.8 .035-.071	#22-28	-0098 -0097	GS5L GS5	LOOSE CHAIN
			0.9 .035	4.5 .177	3.6 .142	0.5 .020	2.3 .091	1.9 .075	∅ 1.3-3.1 .051-.122	# 18-24	-0076 -0075	GS4L GS4	LOOSE CHAIN
SELECTIVE GOLD 0.76µm /30m.i. MIN. AND SELECTIVE TIN 2.03µm /80m.i. MIN. OVER NICKEL 1.27µm /50m.i. MIN.		0.9 .035	4.5 .177	3.6 .142	0.6 .024	2.7 .106	2.3 .091	∅ 3.1 .122 MAX.	# 16	-0096 -0095	GS3L GS3	LOOSE CHAIN	
		0.6 .024	2.3 .091	2.3 .091	0.4 .016	1.65 .065	1.8 .071	∅ 0.9-1.8 .035-.071	#22-28	-0433 -0432	GS2L7F GS27F	LOOSE CHAIN	
		0.9 .035	4.5 .177	3.6 .142	0.5 .020	2.3 .091	1.9 .075	∅ 1.3-3.1 .051-.122	# 18-24	▼ -0431 39-00-0430	▼ GSL7F 5558 GS7F	LOOSE CHAIN	

THIS DRAWING CONTAINS INFORMATION THAT IS PROPRIETARY TO MOLEX ELECTRONIC TECHNOLOGIES, LLC AND SHOULD NOT BE USED WITHOUT WRITTEN PERMISSION

QUALITY SYMBOLS 	ADD NOTE 11 EC NO: 120853 DRWN: BAPPELDORN CHK'D: JBELL REV APPR: FSMITH	GENERAL TOLERANCES (UNLESS SPECIFIED)		DIMENSION UNITS MM/IN	SCALE 10:1		
		4 PLACES ± ±	DRWN BY H. HIRAMOTO	DATE 1991/03/13	PRODUCT CUSTOMER DRAWING MINI-FIT JR SELECT GOLD MALE CRIMP TERMINAL -LEAD FREE-		
		3 PLACES ± ± 0.01	CHK'D BY M. FUKUSHIMA	DATE 1992/05/21			
		2 PLACES ± 0.25 ± 0.01	APPR BY FSMITH	DATE 2010/04/09			
1 PLACES ± 0.25 ±	DRAWING SIZE B		THIRD ANGLE PROJECTION 				
0 PLACES ± ±	ANGULAR TOL ± 3.0		DRAFT WHERE APPLICABLE MUST REMAIN WITHIN DIMENSIONS		SERIES 5558	MATERIAL NUMBER SEE CHART	CUSTOMER GENERAL MARKET
DOCUMENT NUMBER SD-5558-002		DOC TYPE PSD	DOC PART 001	SHEET NUMBER 2 OF 2			

X-ON Electronics

Largest Supplier of Electrical and Electronic Components

Click to view similar products for [Headers & Wire Housings](#) category:

Click to view products by [Molex](#) manufacturer:

Other Similar products are found below :

[892-18-020-10-001101](#) [58102-G61-06LF](#) [582553-1](#) [0009485154](#) [009176003701906](#) [0050291907](#) [LY20-4P-DT1-P1E-BR](#) [02.125.8002.8](#)
[609-3404](#) [61062-3](#) [622-0430](#) [622-3653LF](#) [63453-116](#) [636-1030](#) [636-1427](#) [636-3427](#) [636-4007](#) [641938-9](#) [641991-4](#) [644827-2](#) [65817-010LF](#)
[65817-015LF](#) [65863-015LF](#) [66207-023LF](#) [67095-007LF](#) [67601157](#) [68648-049](#) [70.362.1628.0](#) [70-4210](#) [70-4226B](#) [70-4853B](#) [707-5020](#) [707-5028](#) [71.350.2428.0](#) [71918-208LF](#) [71961-016LF](#) [733-134](#) [733-162](#) [754199-000](#) [760-3052](#) [787-8014-00](#) [79531-3000](#) [FCN-360C032-B](#) [FCN-367T-T012/H](#) [FCN-723D010/2](#) [80.063.4001.1](#) [800-90-001-10-001000](#) [800-90-010-10-002000](#) [801-43-002-10-013000](#) [801-43-006-10-002000](#)